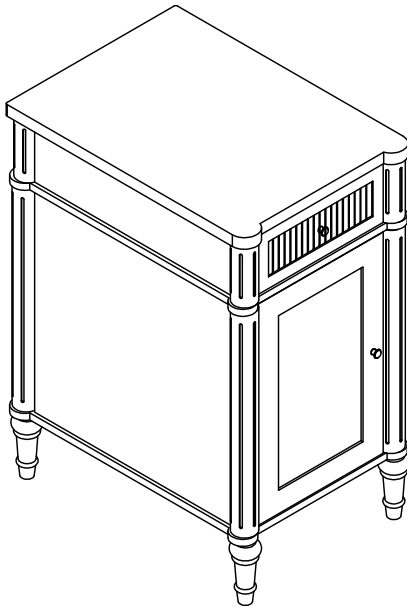


Owner Manual



Weight Limitation

150 LBS



Installation:
40 minutes.



Two Person

Thank You For Choosing Our Furniture

- ▀ If you have any questions or concerns, don't hesitate to reach out to us. ▀

NOTE:

This brochure contains **IMPORTANT** safety info. Please read and keep it for future reference.

MAINTENANCE AND WARNINGS



Before You Start

Please follow the steps below:

- ⚠ Check the packaging for any damage, deformation, or water stains. If there is significant damage, please contact us promptly.
- ⚠ Unpack the box and compare the contents with the parts list and hardware list to ensure all components and accessories are present and complete.
- ⚠ Please read the installation instructions carefully to understand the installation steps and precautions to ensure proper installation.
- ⚠ Clean the installation area in advance and ensure the ground is level and there is enough space to avoid damaging the furniture or making installation difficult.
- ⚠ Lay a protective mat on the ground to prevent scratching the floor during installation.

After-Sales Service

- If you encounter any issues or need technical support during use, please contact our after-sales team. We offer long-term maintenance and warranty services.



Precautions

- ⚠ This product is for indoor use only. Do not expose it to outdoor elements or high-humidity environments.
- ⚠ Keep the product away from high heat or open flames to prevent fire hazards.
- ⚠ Do not allow children to climb on the product, as this may cause tipping and result in personal injury.



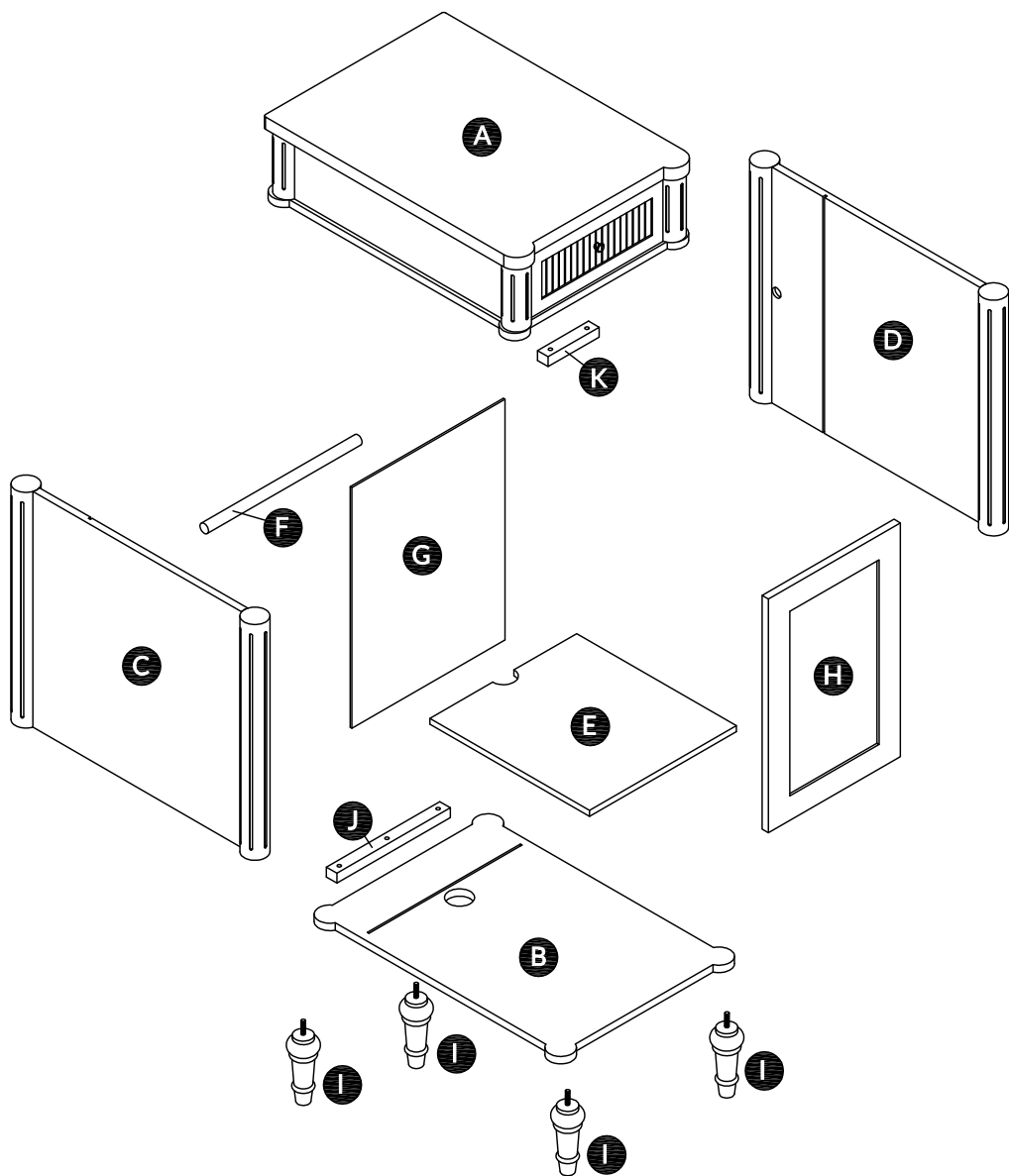
Safety Warnings

- ⚠ If you notice any loose or damaged parts, stop using the product immediately and contact customer service.
- ⚠ Do not attempt to disassemble or replace any components yourself, as this may affect the stability and safety of the product.

Daily Maintenance

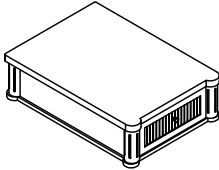
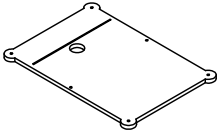
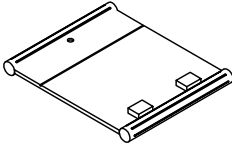
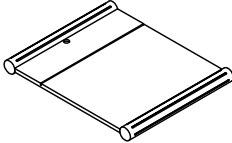
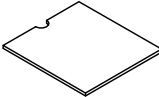
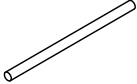
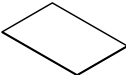
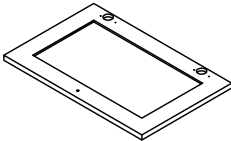

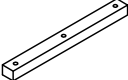
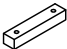

- Regularly clean the surface with a soft cloth to prevent dust accumulation.
- Do not use cleaning agents containing acids, alkalis, or corrosive substances, as they may damage the surface. It is recommended to use neutral cleaning agents or specialized furniture cleaners.
- Avoid exposing furniture to humid environments for extended periods. Use a dehumidifier or desiccant during humid weather.
- Avoid direct contact of furniture with water. If water is accidentally spilled, wipe it dry immediately.
- Avoid placing excessively heavy objects on the furniture: ensure the weight is within a reasonable load-bearing range.
- Avoid using sharp or rough items on the furniture surface to prevent scratches. Handle items gently when moving them.

Explosive view

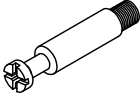

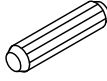
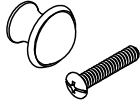

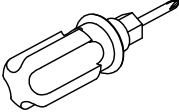




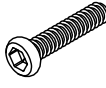
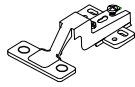




Parts list

Box A

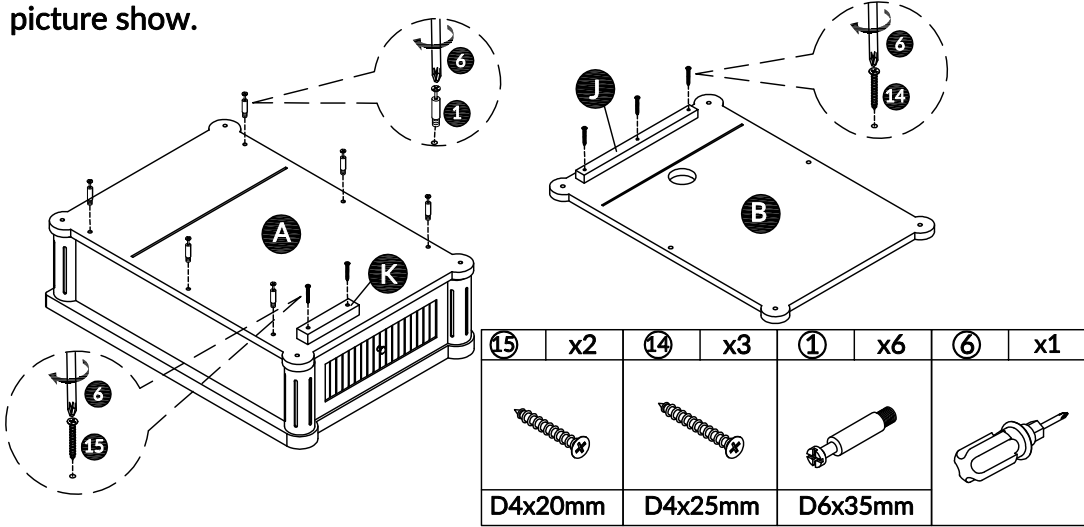
A x1 Top panel 		B x1 Bottom board 	
C x1 Side panel 	D x1 Side panel 	E x1 Clapboard 	F x1 
G x1 Back panel 	H x1 Door 	I x4 Leg 	J x1 
K x1 	Hardware Pack 		

Hardware List

<p>① x6+1</p>  <p>D6*35mm</p>	<p>② x6+1</p>  <p>D15*11mm</p>	<p>③ x4+1</p>  <p>D8*30mm</p>	<p>④ x1</p>  <p>D4*25mm</p>
<p>⑤ x1</p>  <p>M4</p>	<p>⑥ x1 Screw driver</p> 	<p>⑦ x4</p> 	<p>⑧ x1</p> 
<p>⑨ x4+1</p> 	<p>⑩ x12+2</p>  <p>D4*16mm</p>	<p>⑪ x2</p>  <p>D6*30mm</p>	<p>⑬ x2 Insert</p> 
<p>⑭ x3</p>  <p>D4*25mm</p>	<p>⑮ x2</p>  <p>D4*20mm</p>		

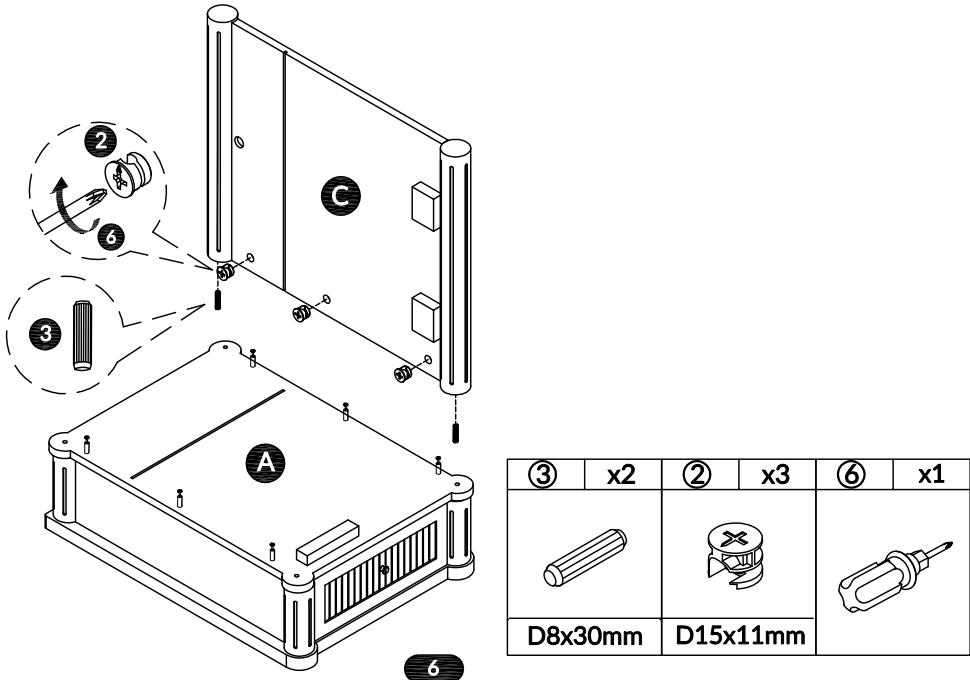
Step 1

Insert 1 into the side panel A , make sure all holes aligned as picture show.



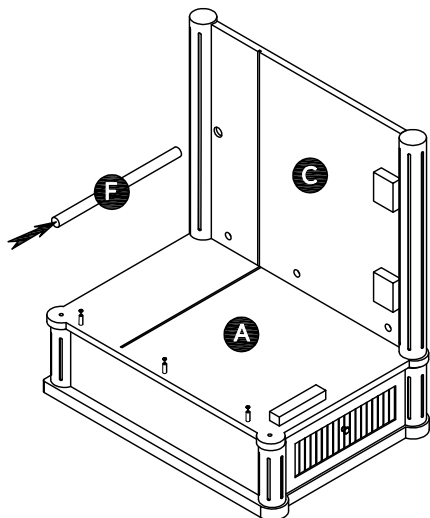
Step 2

Insert side panel C into the corresponding hole of panel (A) , make sure all holes aligned and use 2 and 3 to tighten it as picture show.



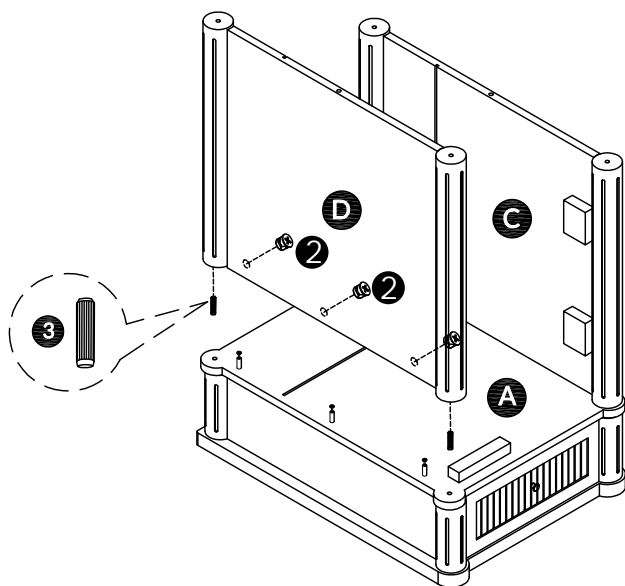
Step 3

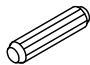
Attach F side panel(C) to it.


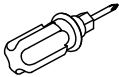


Step 4

Insert side panel D into the corresponding hole of panel (A) , make sure all holes aligned and use 2 and 3 to tighten it as picture show.

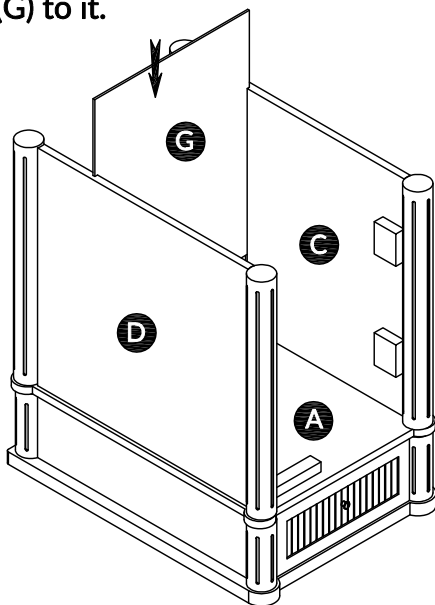


③	x2
	
D8x30mm	

②	x3	⑥	x1
			
D15x11mm			

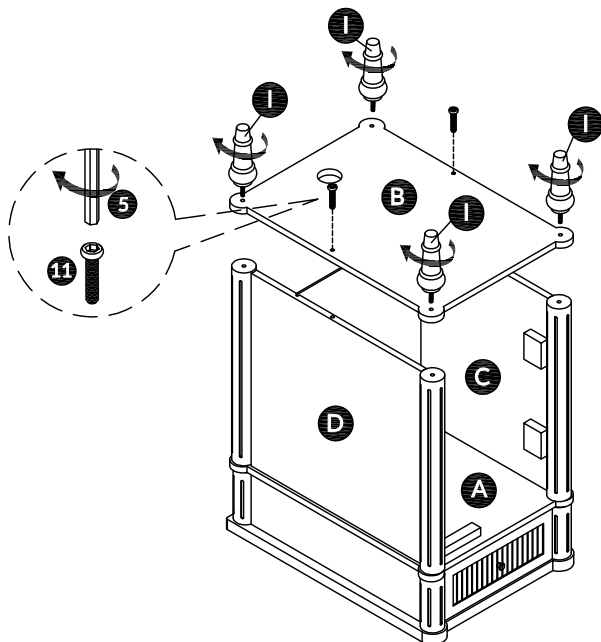
Step 5

Attach back panel(G) to it.



Step 6

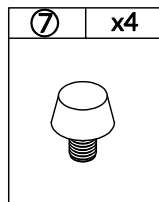
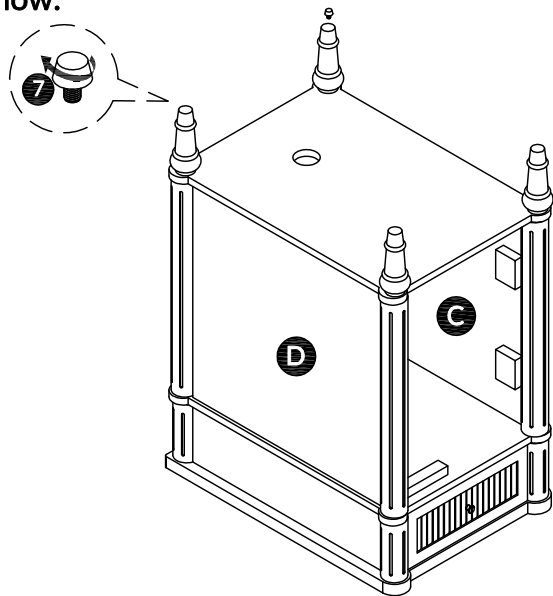
Attach Leg I bottom panel(B) to it.



(11)	x2	(5)	x1
D6x30mm		M4	

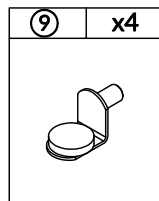
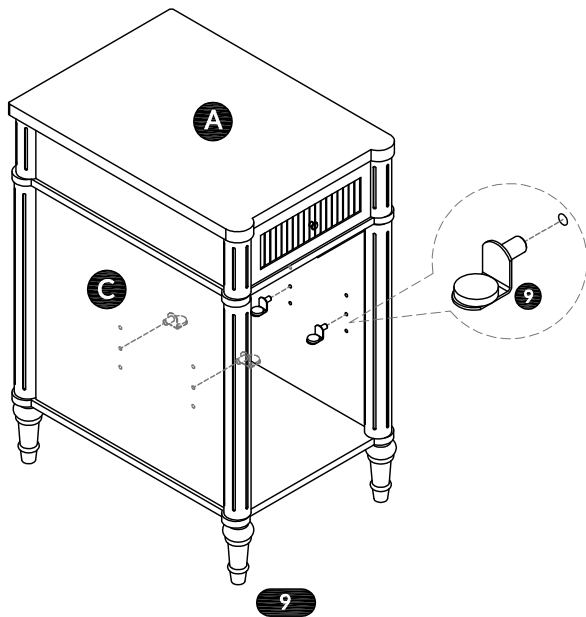
Step 7

Use (7) into the corresponding hole of Leg (I) , make sure all holes aligned as picture show.

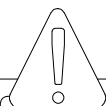
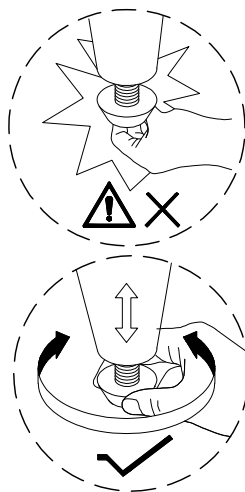
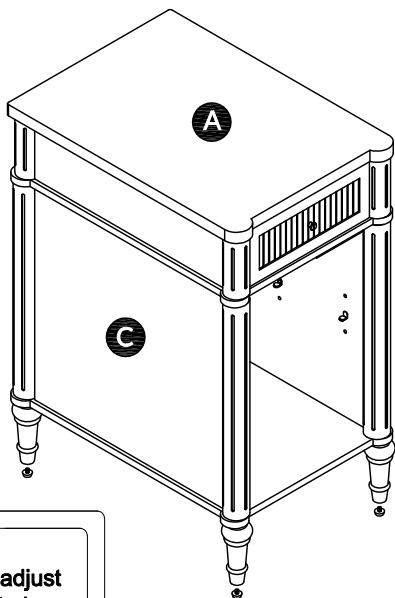


Step 8

Use (9) into the corresponding hole of panel (C/D), make sure all holes aligned as picture show.



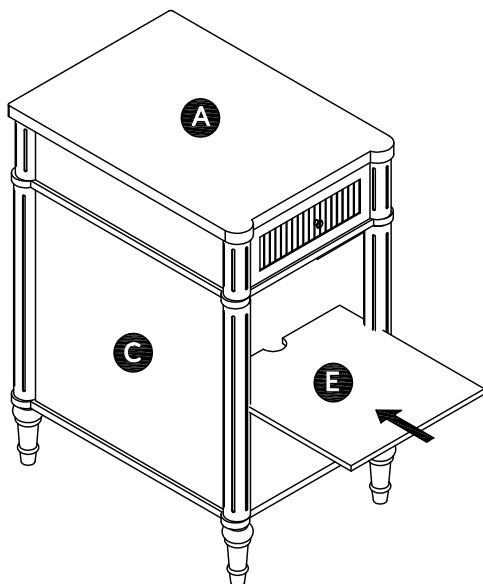
Step 9



Attention:
Before the next step, adjust
the feet of the locker to keep
it level.

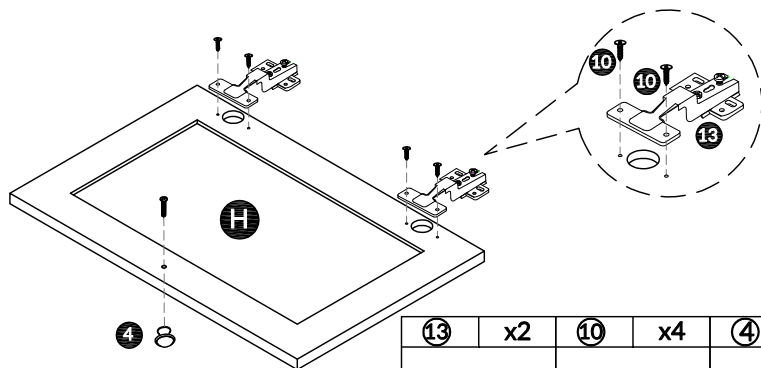
Step 10

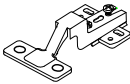

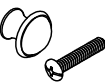
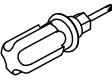
Attach panel (E) to it.



Step 11

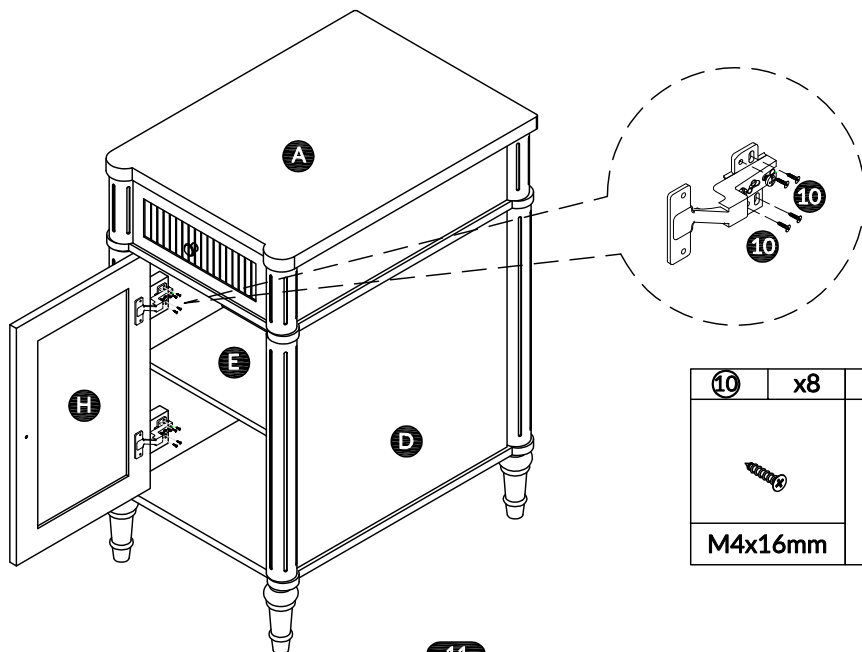
Install hinges 13 use screw 10 and handles 4 on the door panel (H), as picture show.


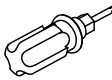


13	x2	10	x4	4	x1	6	x1
							
		M4x16mm		M4x25mm			

Step 12

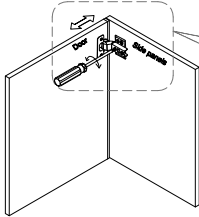
Attach panel H to panel C, as picture show.



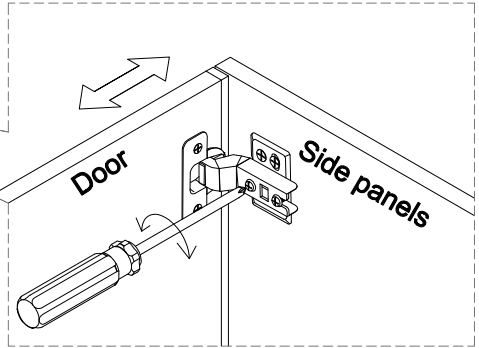
10	x8	6	x1
			
	M4x16mm		

Door Hinge Adjustment Instructions

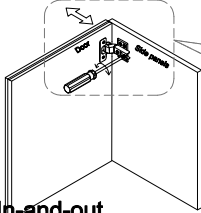
Concealed hinges are three-way adjustable:



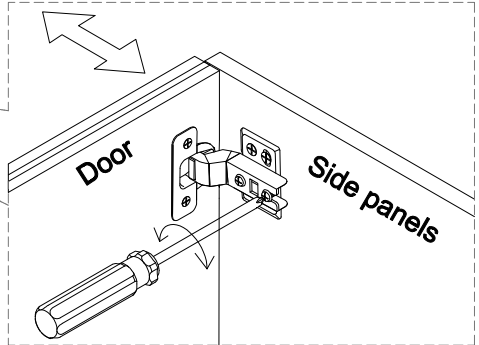
Horizontal
by screw adjustment!



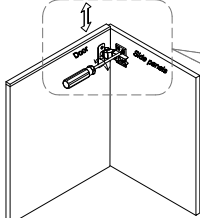
Concealed hinges are three-way adjustable:



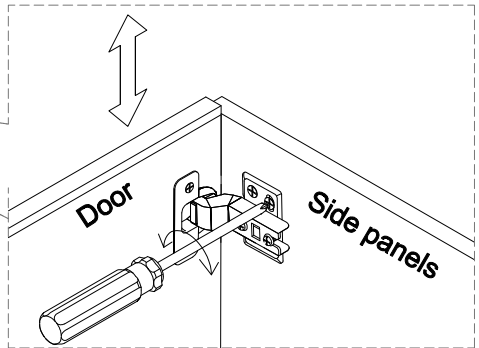
In-and-out
by loosening the hinge arm
mounting screw or via cam
adjustment!



Concealed hinges are three-way adjustable:

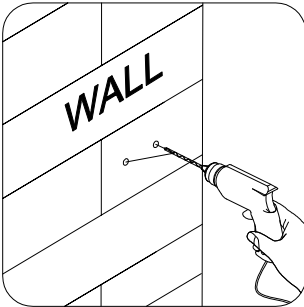
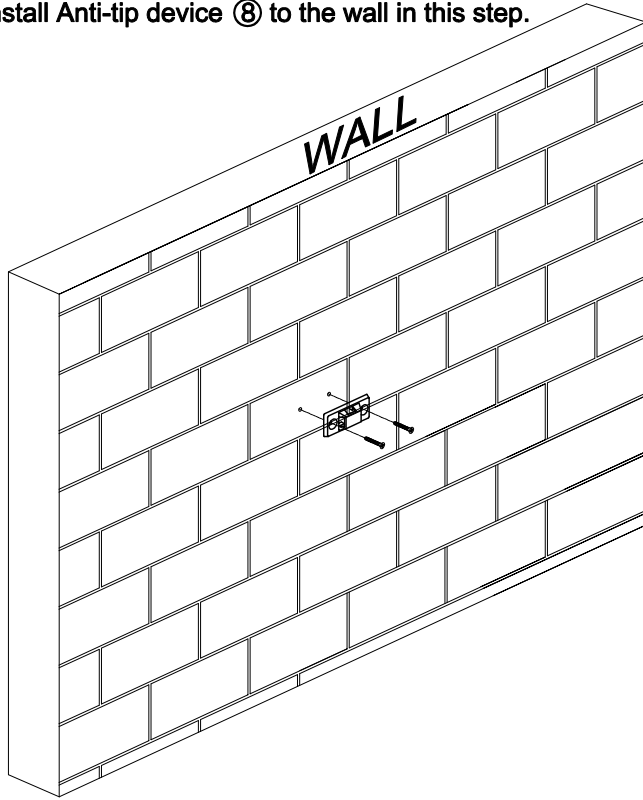


Vertical via slots in
the mounting plate
or via cam
adjustment!

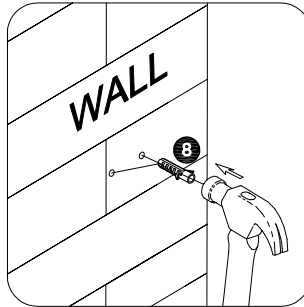


Step 13

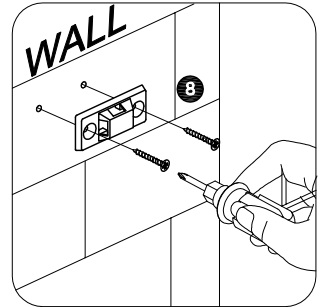
Install Anti-tip device ⑧ to the wall in this step.






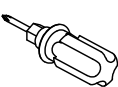
1. Drill a hole in the wall with an electric drill.



2. Tap the plastic wall anchor into the hole with a hammer.



3. Secure the Anti-tip device to the wall with screws

	⑧ x1		⑥ x1
	D4x39mm		

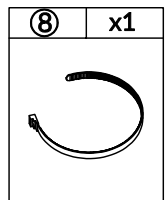
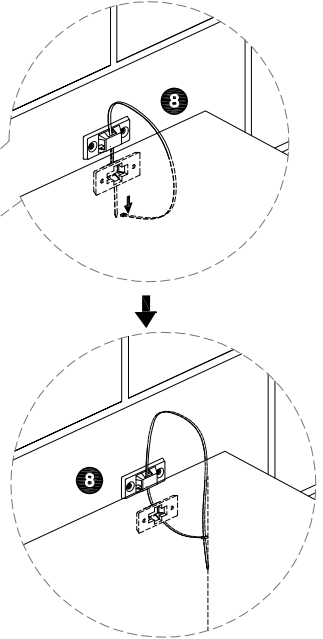
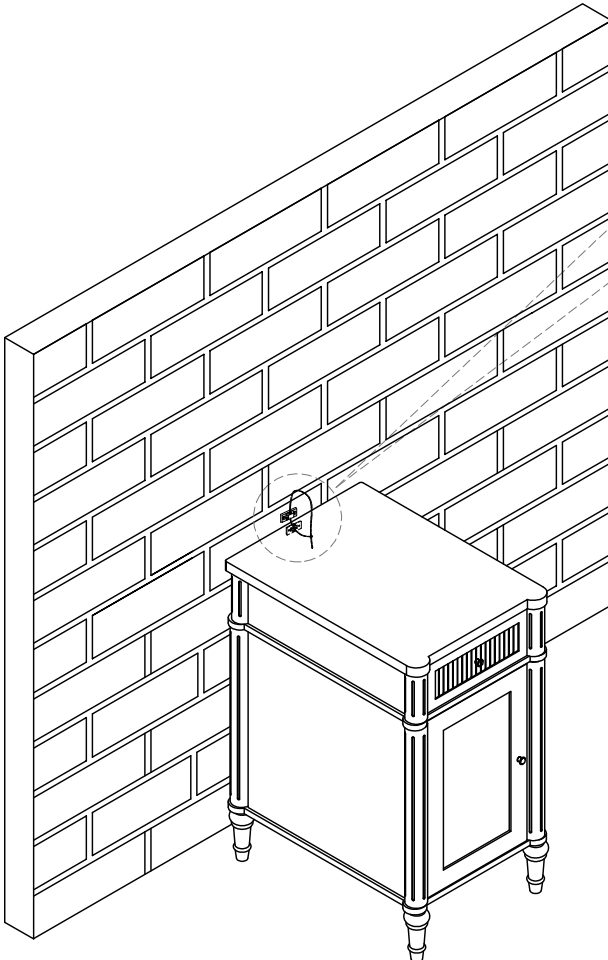
Step 14

WARNING

Children have died from furniture tipover.

To reduce the risk of furniture tipover:

- ALWAYS install Anti-tip device provided.
- For use with televisions weighing 35 lb or less. Use with heavier televisions may result in instability causing tip-over resulting in death or serious injury.
- NEVER allow children to stand, climb or hang on drawers, doors, or shelves.
- NEVER open more than one drawer at a time.
- Place heaviest items in the lowest drawers.



WARRANTY

- We strive to offer quality products, and we also try our best to satisfy every customer who orders from us with products or services as needed.
- Replacement parts can be purchased from our company if available.
- For returns, please check the return policy with the retailer or marketplace where you purchased the item.

**We appreciate your purchase.
Brighten your life with our furniture!**