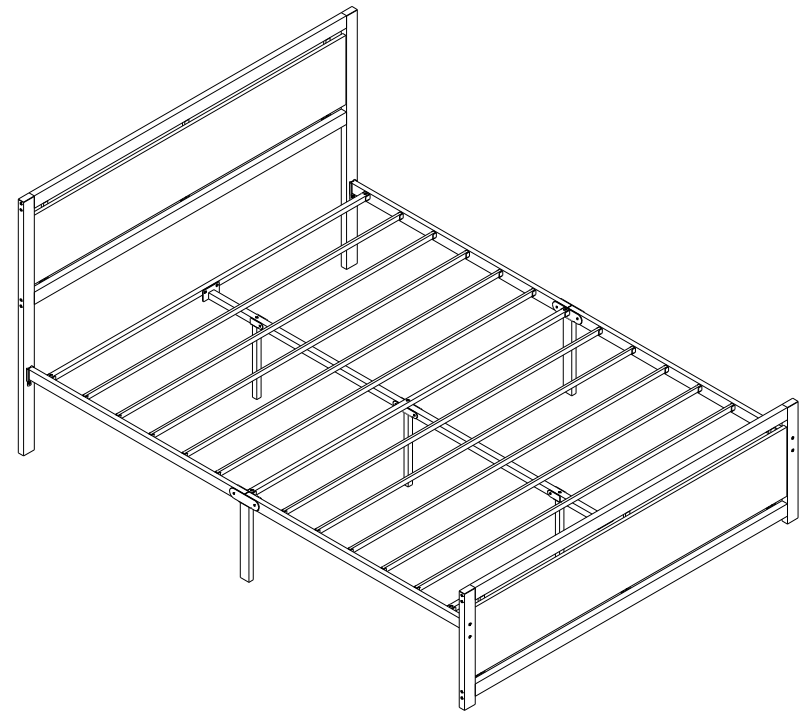


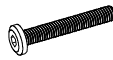



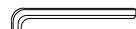
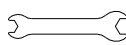





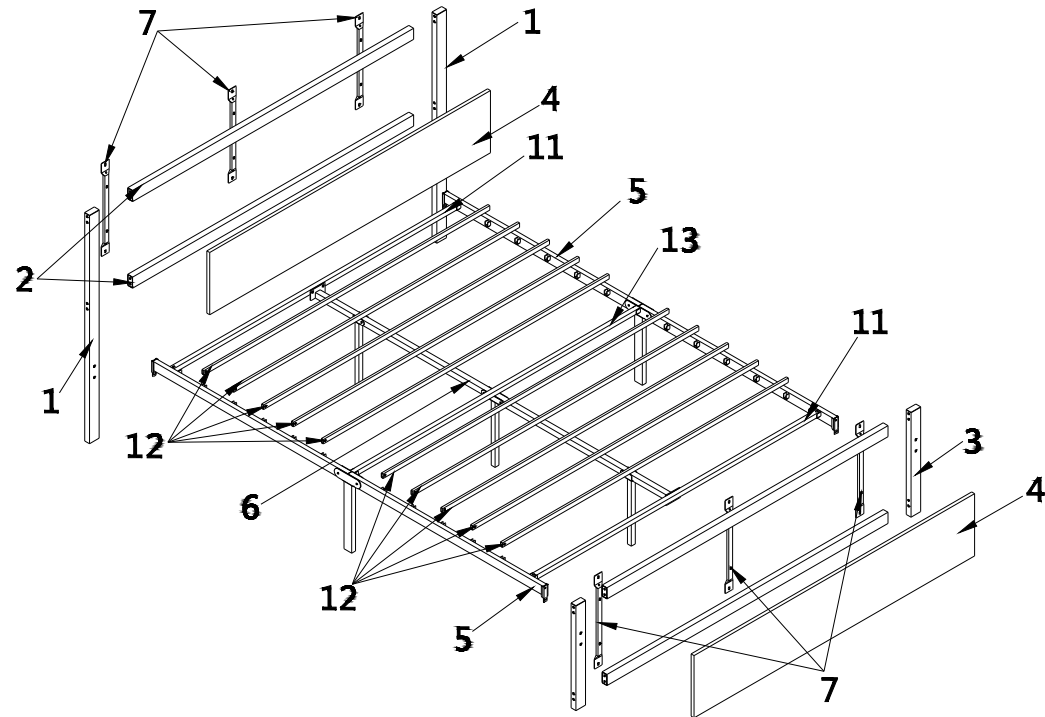
# USER'S MANUAL

## BED



# Hardware List

<b>M8</b>  <b>(A) X 4</b>	<b>M6 × 15</b>  <b>(B) X 16</b>	<b>M6 × 55</b>  <b>(C) X 3</b>	<b>M8 × 40</b>  <b>(E) X 8</b>	<b>Ø8</b>  <b>(F) X 8</b>
<b>M6 × 35</b>  <b>(G) X 6</b>	 <b>(H) X 1</b>	 <b>(I) X 1</b>	<b>M6 × 70</b>  <b>(J) X 16</b>	<b>Ø6</b>  <b>(K) X 16</b>
<b>M6 × 20</b>  <b>(L) X 12</b>				



### STEP 1

M6 × 70



**J** X 8

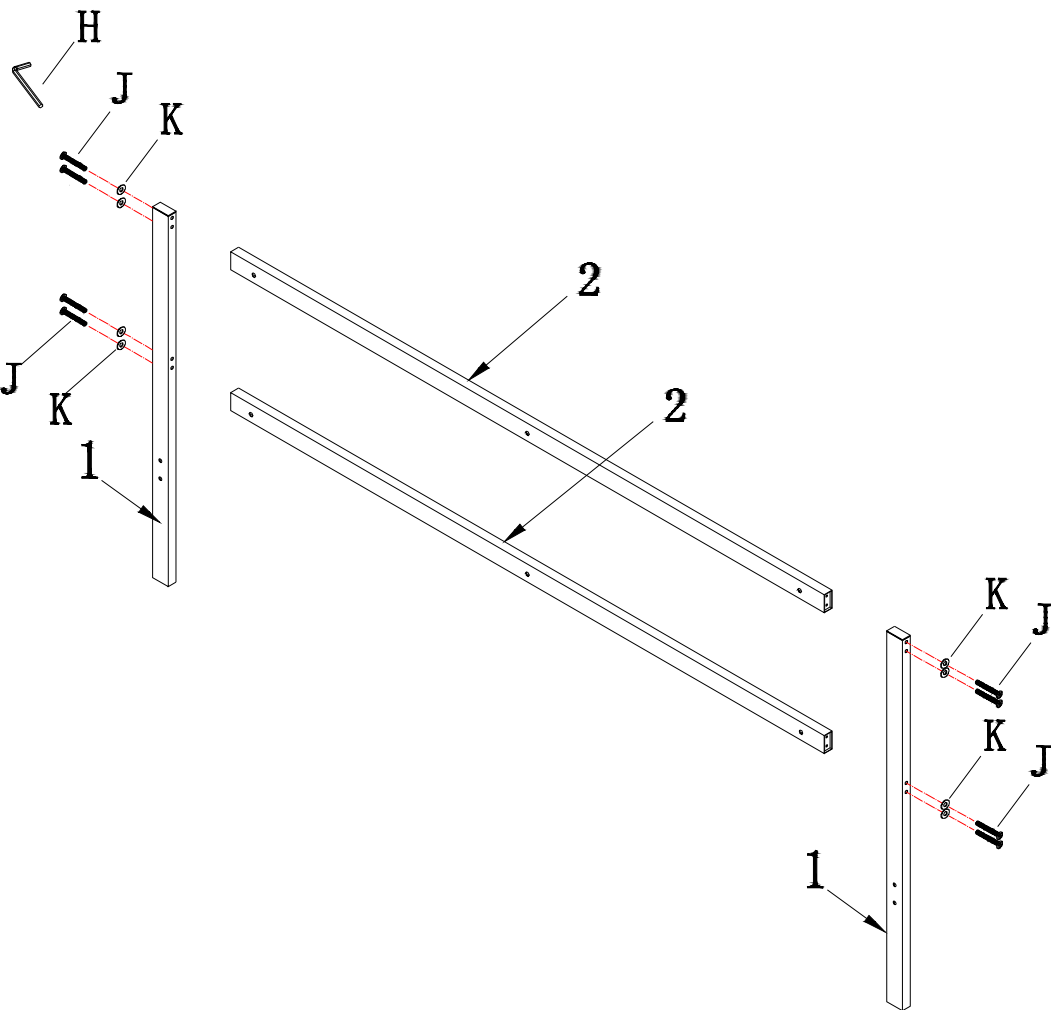
Ø6



**K** X 8



**H** X 1



### STEP 2

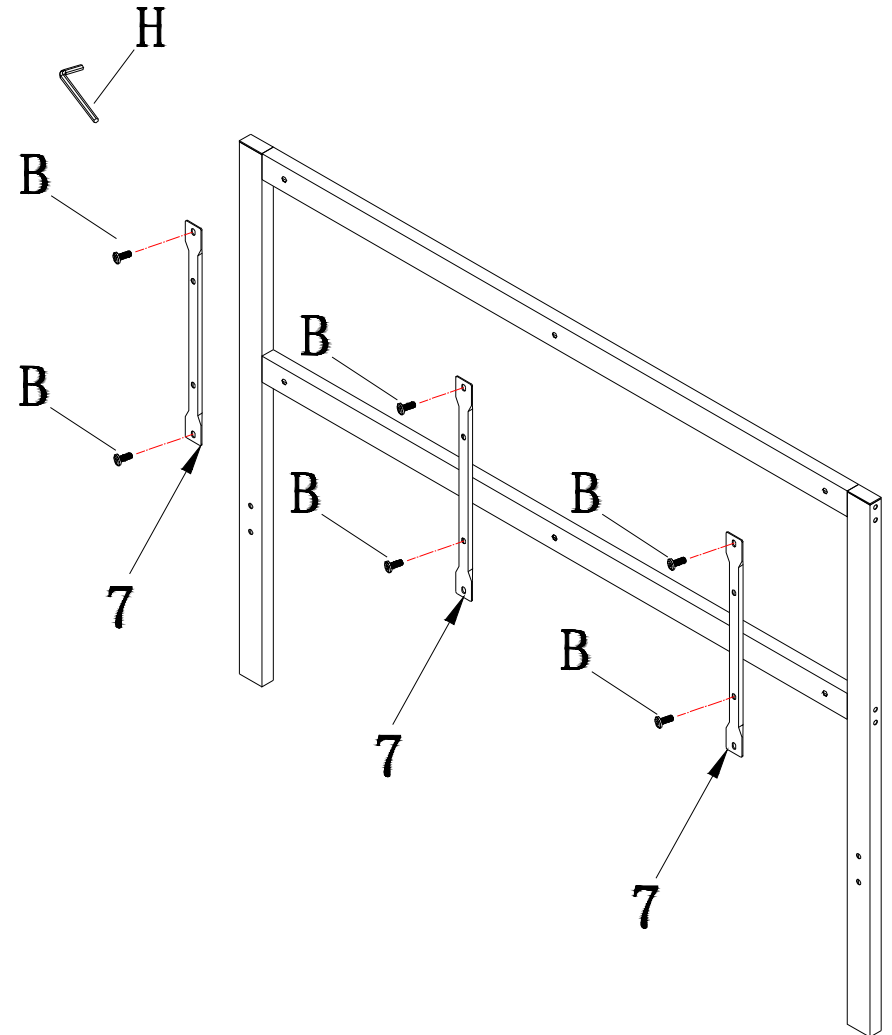
M6 × 15



**B** X 6

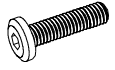


**H** X 1



### STEP 3

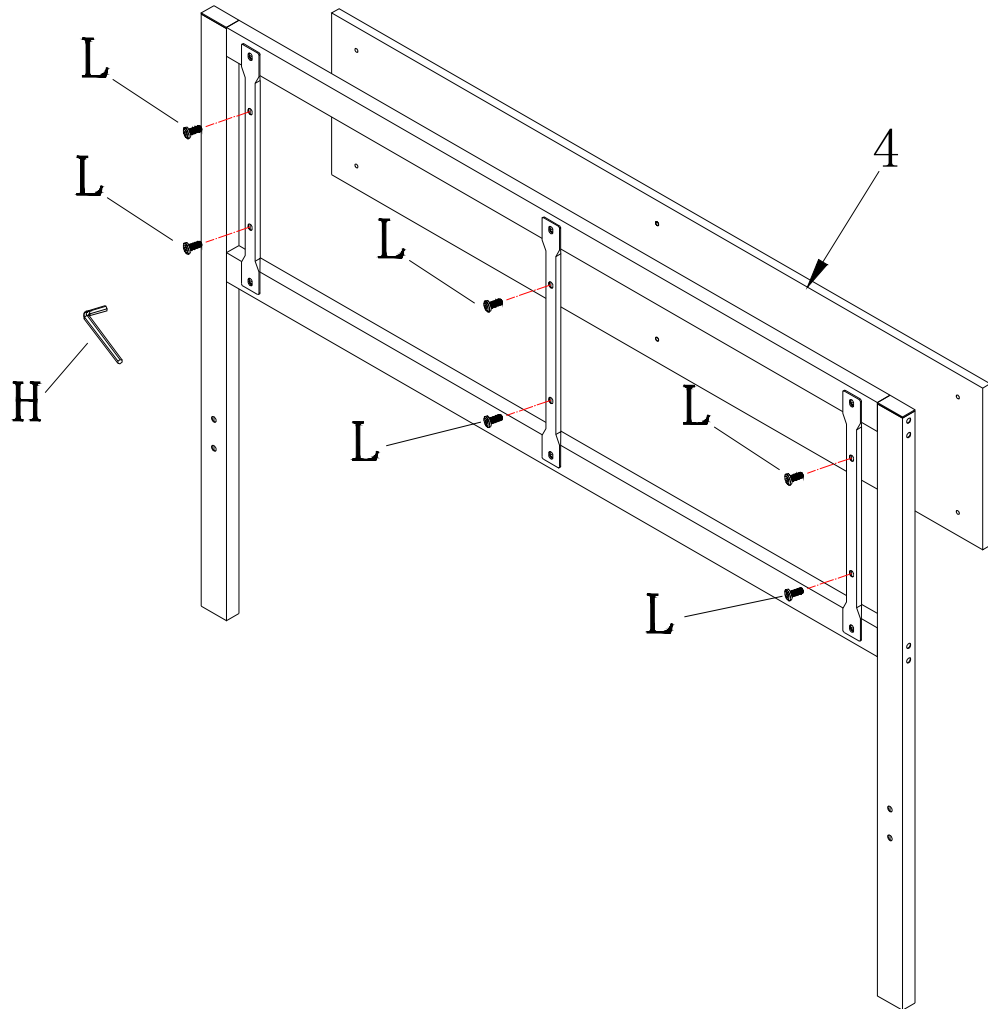
M6 × 20



**L** X 6



**H** X 1



### STEP 4

M6 × 70



**J** X 8

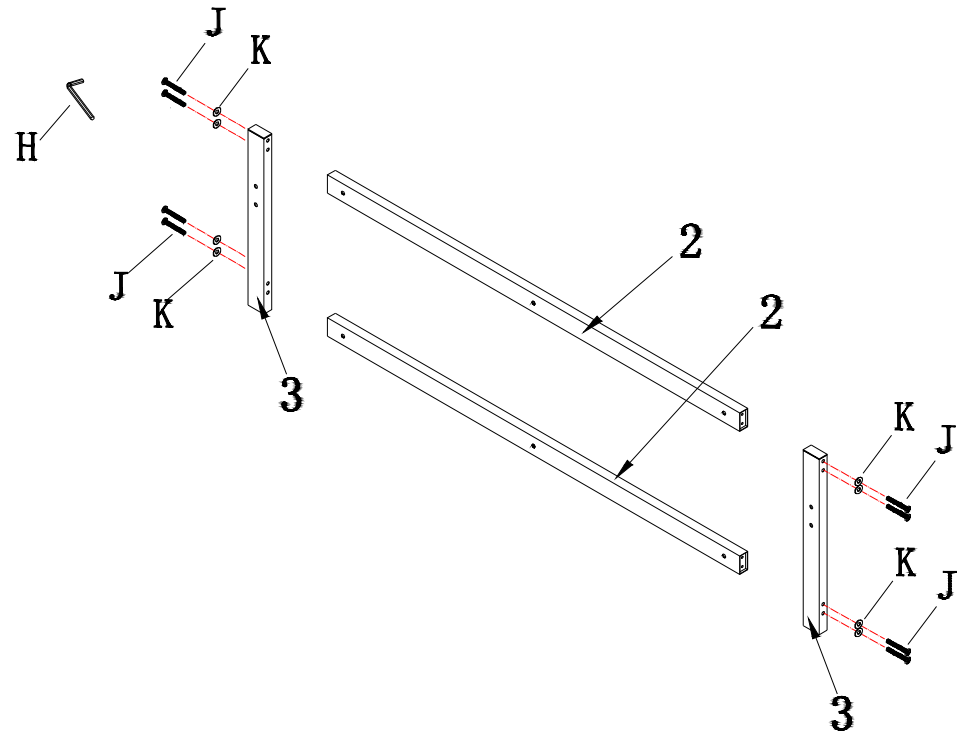
Ø6



**K** X 8



**H** X 1

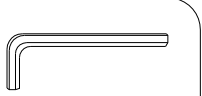


### STEP 5

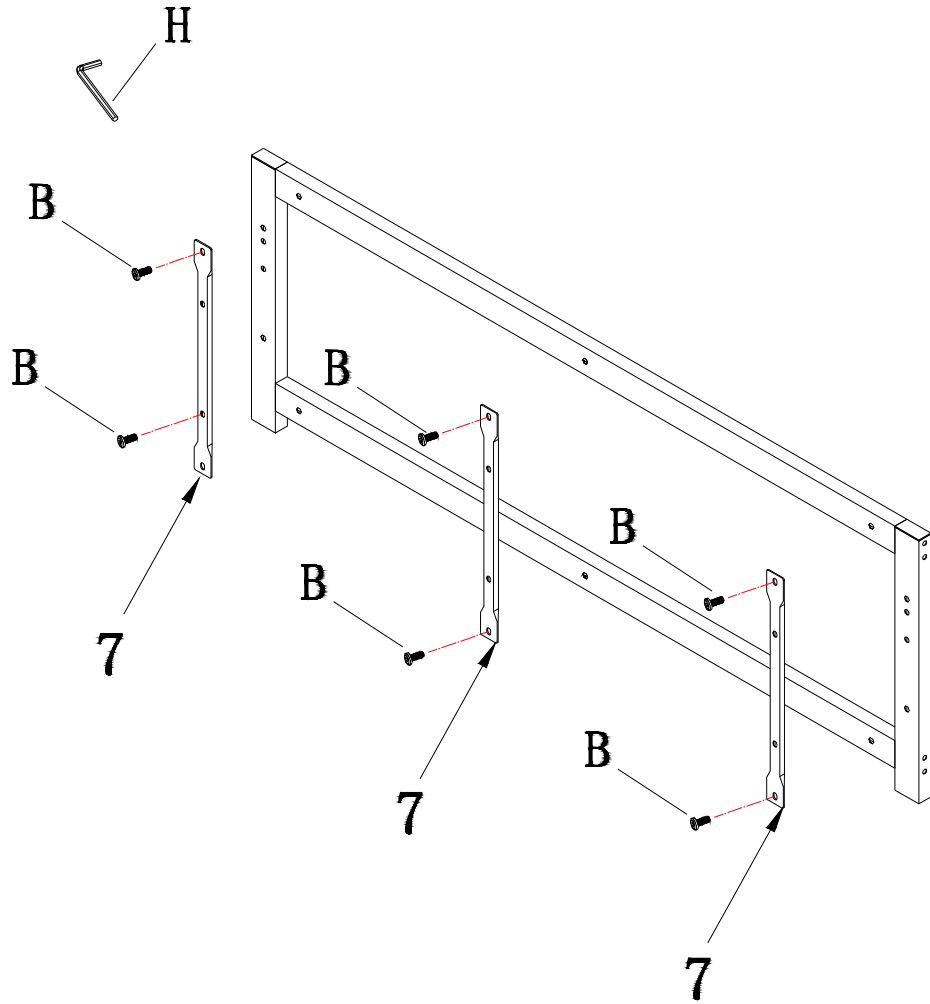
M6 × 15



(B) X 6

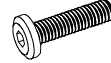


(H) X 1

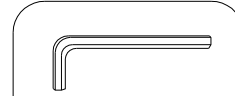


### STEP 6

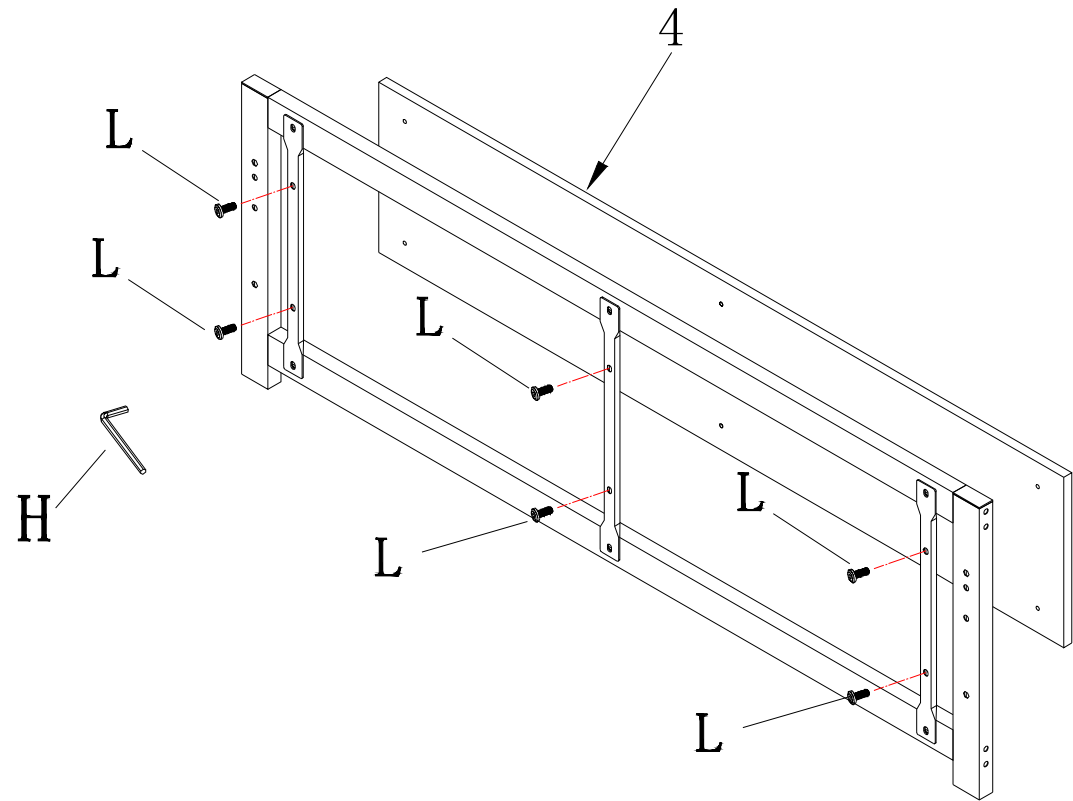
M6 × 20



(L) X 6



(H) X 1



PRODUCT ASSEMBLY

STEP 7

M8



X 4

M8 x 40

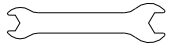


X 8

Ø8



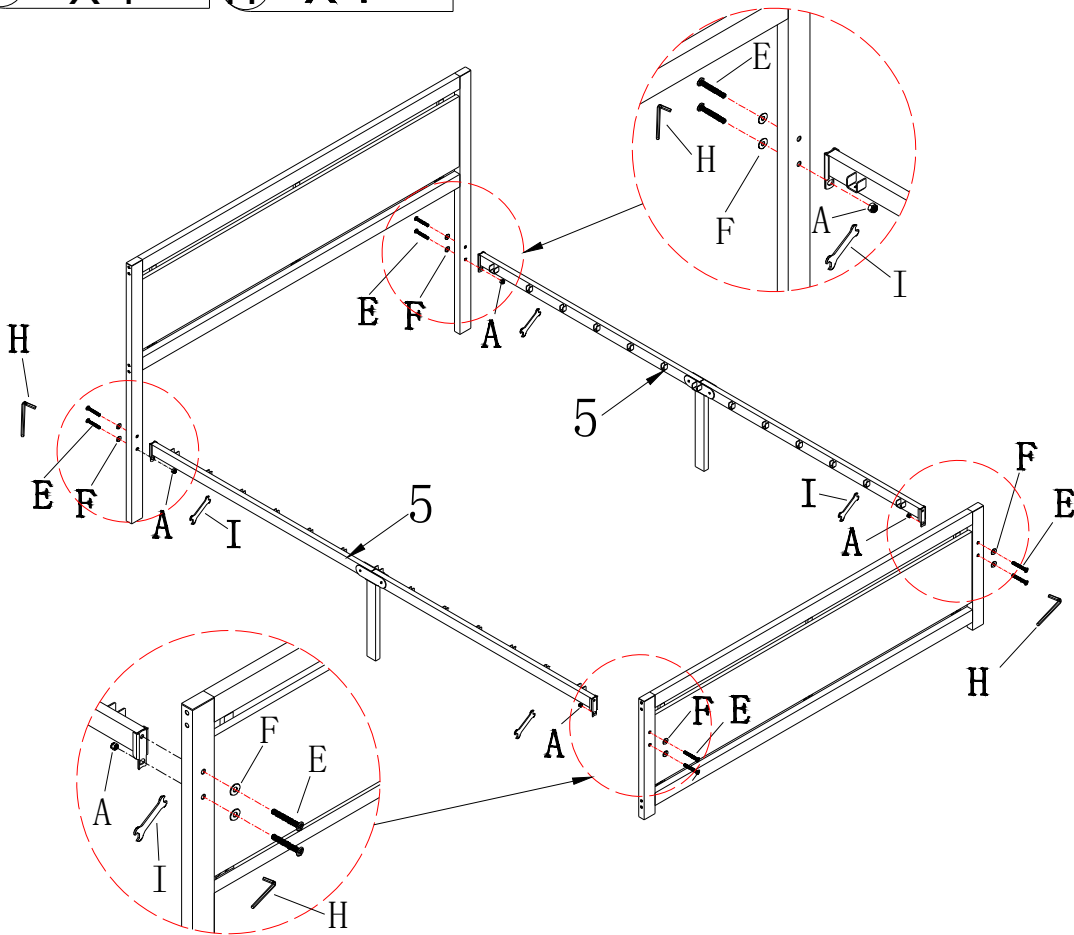
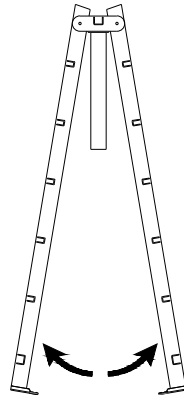
X 8



X 1



X 1

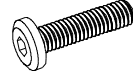


10

PRODUCT ASSEMBLY

STEP 8

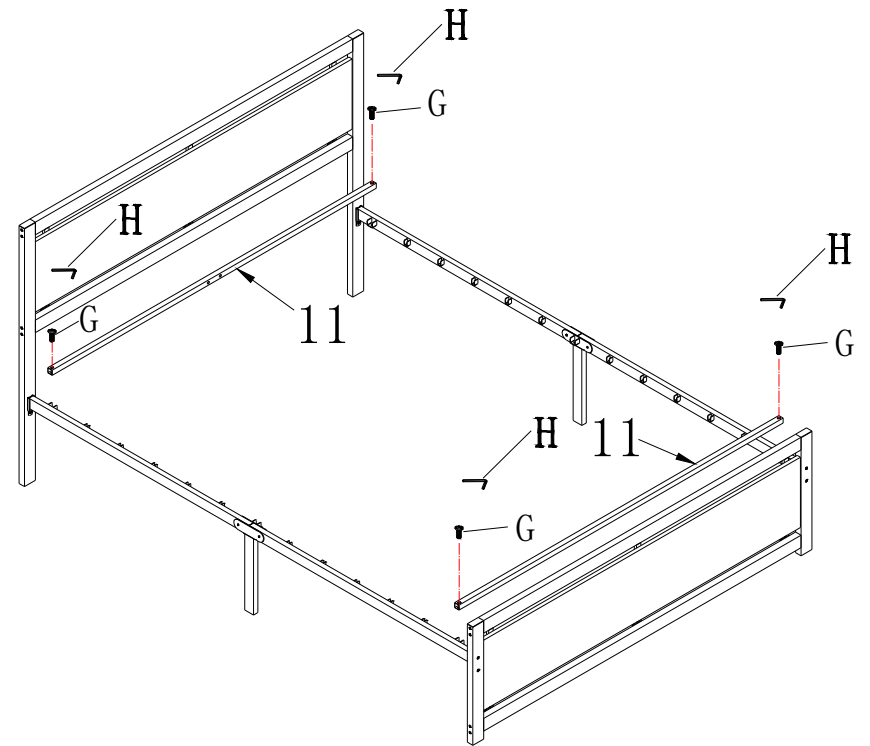
M6x35



X 4



X 1



11

PRODUCT ASSEMBLY

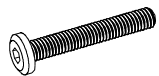
STEP 9

M6x15

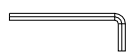


**B** X 4

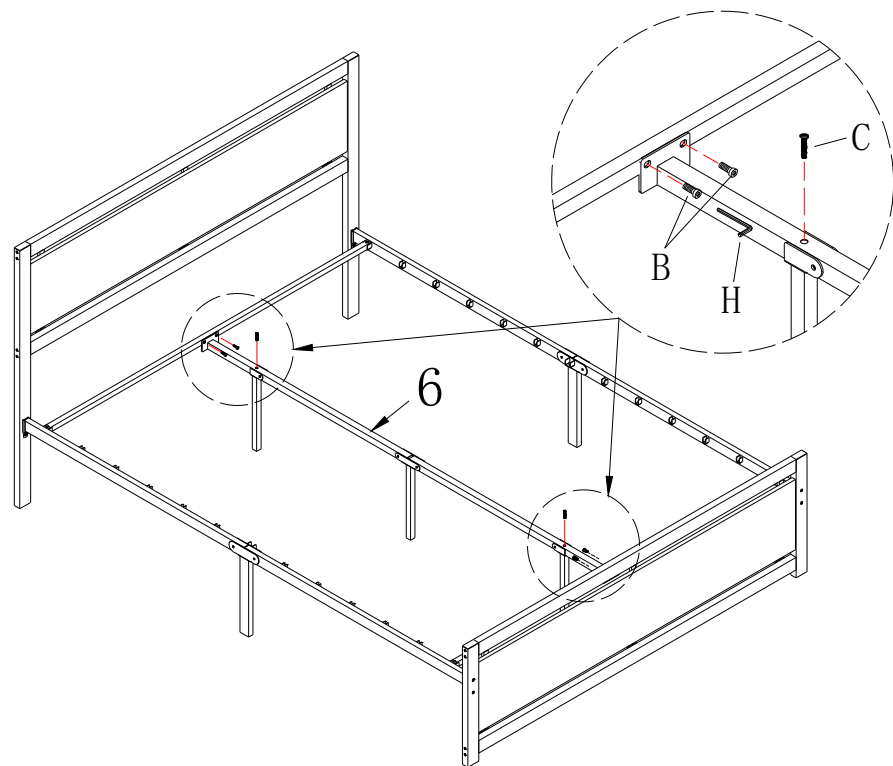
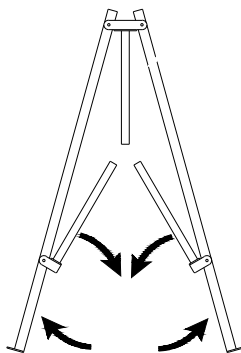
M6x55



**C** X 2



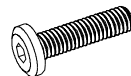
**H** X 1



PRODUCT ASSEMBLY

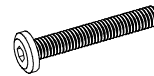
STEP 10

M6x35



**G** X 2

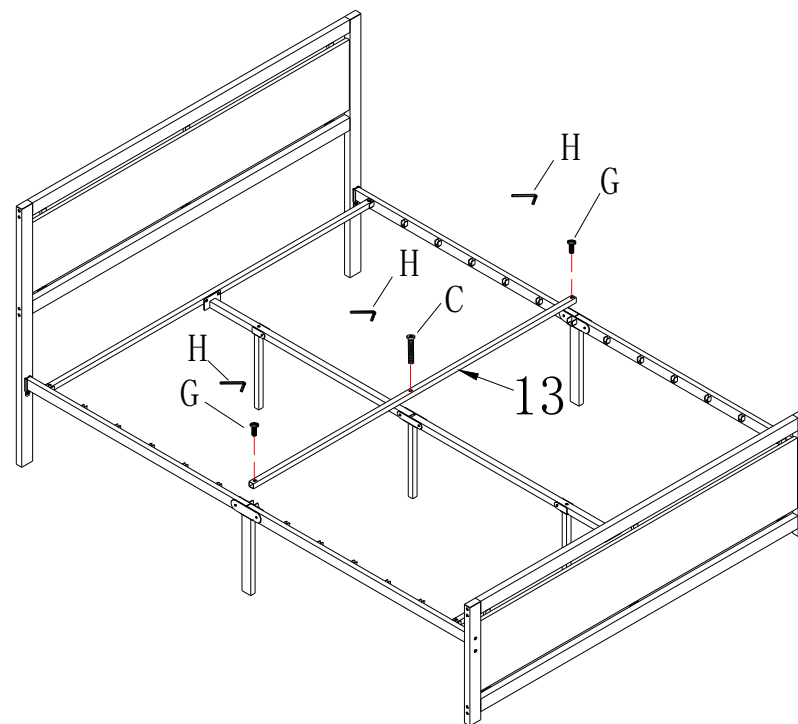
M6x55



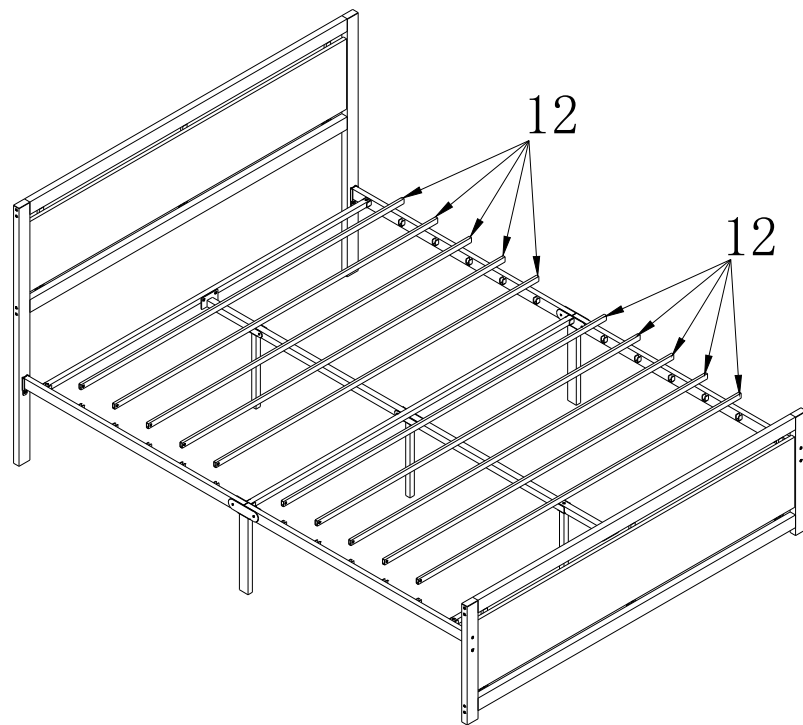
**C** X 1



**H** X 1



# STEP 11



# STEP 12

