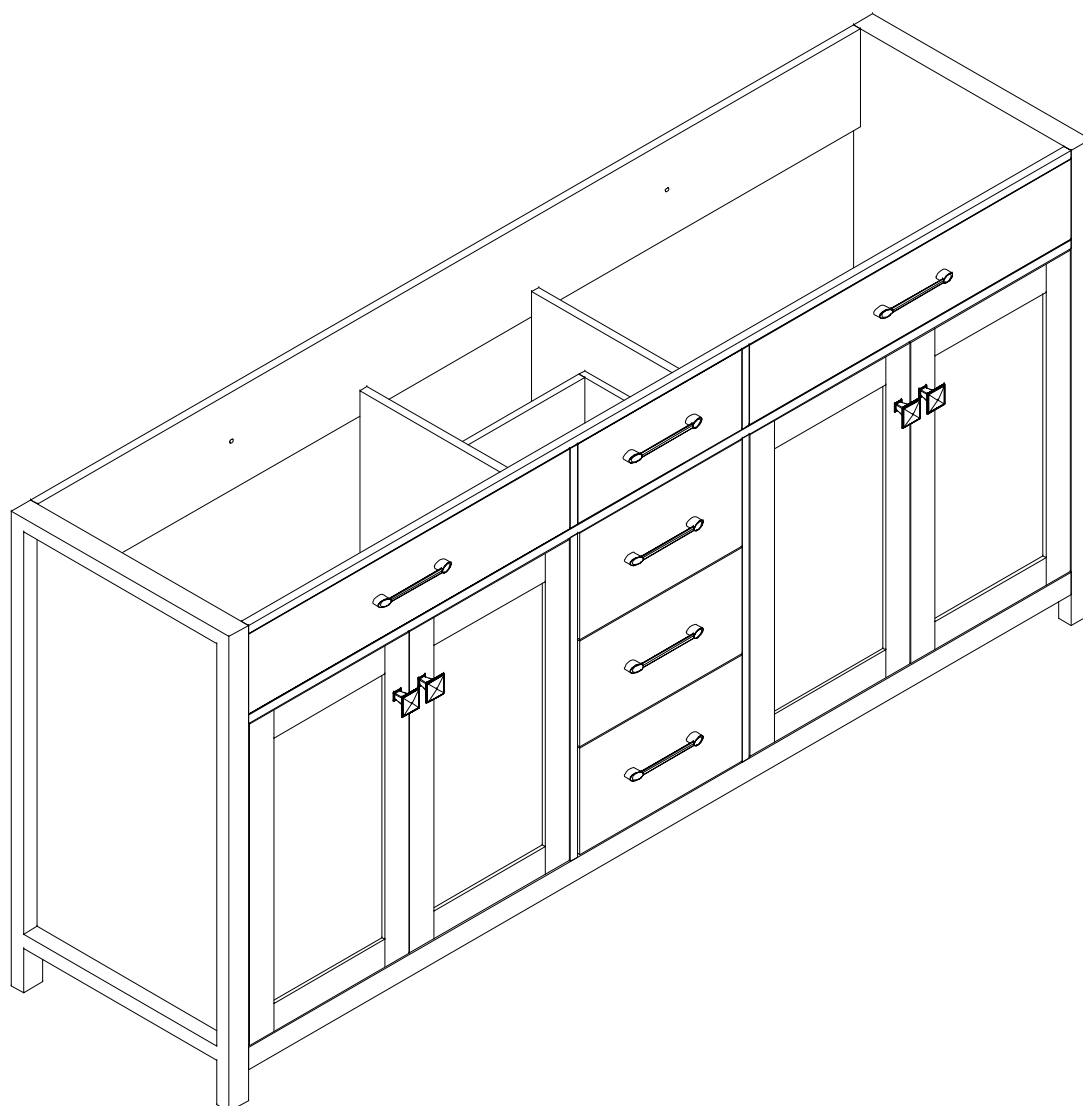


ASSEMBLY INSTRUCTION

ITEM NO. THKFBV266



IMPORTANT NOTICE

Workspace Safety

Keep the workspace clear of clutter and ensure it's well-lit. A clean, flat surface is essential.

Read Instructions

Read the entire assembly guide before starting. Skipping steps can compromise safety.

Use Proper Tools

Use the tools provided or recommended. Avoid overtightening screws.

Secure Furniture

Anchor tall or heavy furniture to the wall to prevent tipping. This is crucial in homes with children or pets.

Handle Small Parts

Keep small parts away from children and pets to avoid choking hazards.

Get Help

Don't hesitate to ask for help with heavy or complex pieces.

Inspect Regularly

Periodically check for loose screws or wobbly parts and tighten as needed.

Follow these tips for a safe assembly process.

CARE AND CLEANING

Many cleaners contain abrasive and chemical substance which is not suitable for cleaning stainless steel, enamel, plating or plastic products. You may use mild cleansers or soaps to clean the surfaces. Wipe any splashes of cleaner solutions from the surface with a clean soft cloth.

Maintain ventilation in the bathroom and separate the dry area from the damp one if conditions permit. Try to open the door and windows of the bathroom to maintain adequate ventilation.

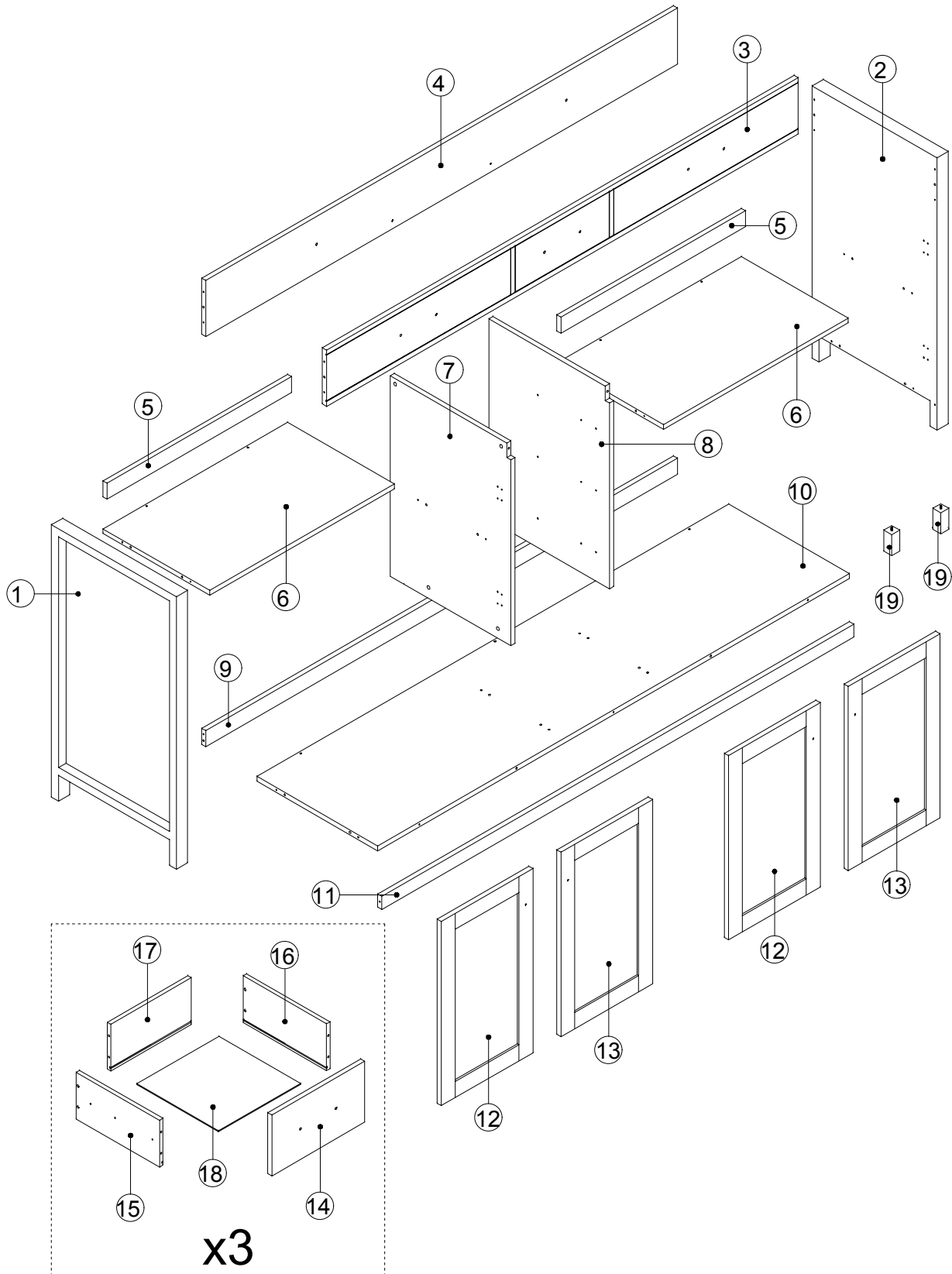
This cabinet is built to withstand normal bathroom humidity. For best results, keep this vanity dry and take necessary steps to minimize bathroom humidity by opening windows and doors and using the exhaust fan (if available).

To maintain the cabinet door, clean and wipe the door regularly with a soft cloth. Wipe condensation with a dry, soft cloth. Keep away from high temperatures.

Please do not sit, lean or step on the basin cabinet.

ASSEMBLY DIAGRAM

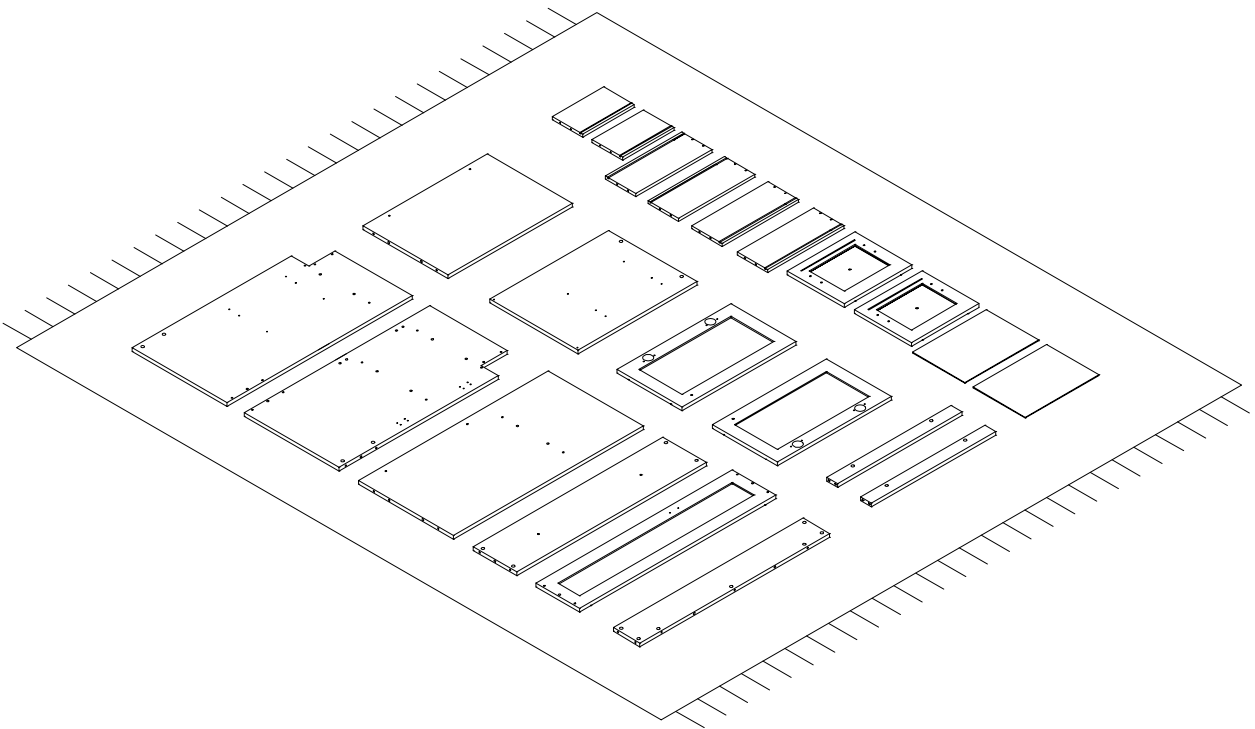
1. Refer to the exploded view below for the approximate location of each component.
2. Each part is labeled for easy identification.
3. Follow the assembly instructions carefully to ensure proper installation.




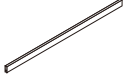
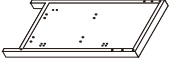
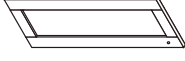
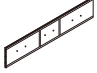


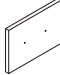
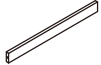
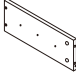
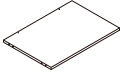
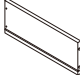
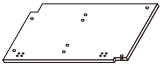
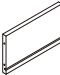
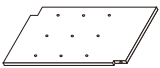
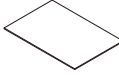
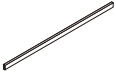

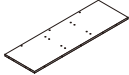


PRE-ASSEMBLY PREPARATION

Before assembly, place all furniture parts on a soft surface, such as a blanket or the original packaging cardboard, to prevent damage to the floor or components from accidental drops and to avoid scratching the surfaces.

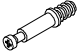



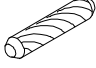

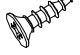










PARTS LIST

No.	Description	QTY	No.	Description	QTY
1		1	11		1
2		1	12		2
3		1	13		2
4		1	14		3
5		2	15		3
6		2	16		3
7		1	17		3
8		1	18		3
9		1	19		2
10		1			

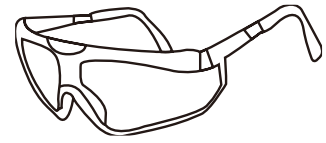
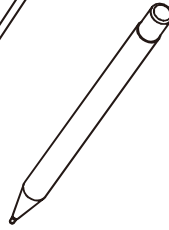
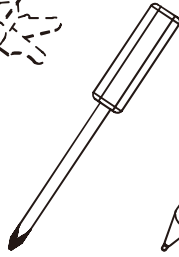
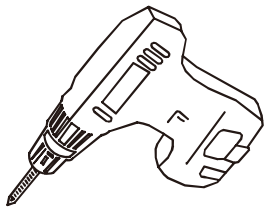
CAUTION: Please confirm the parts list before installation

HARDWEAR LIST

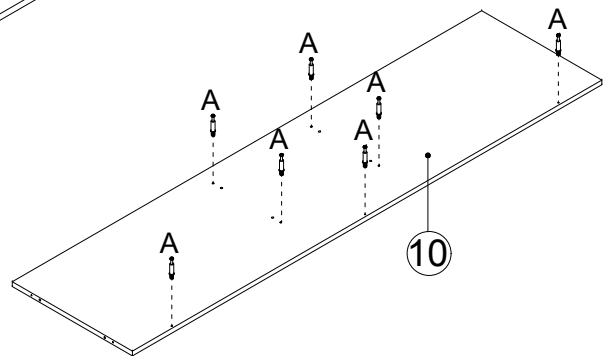
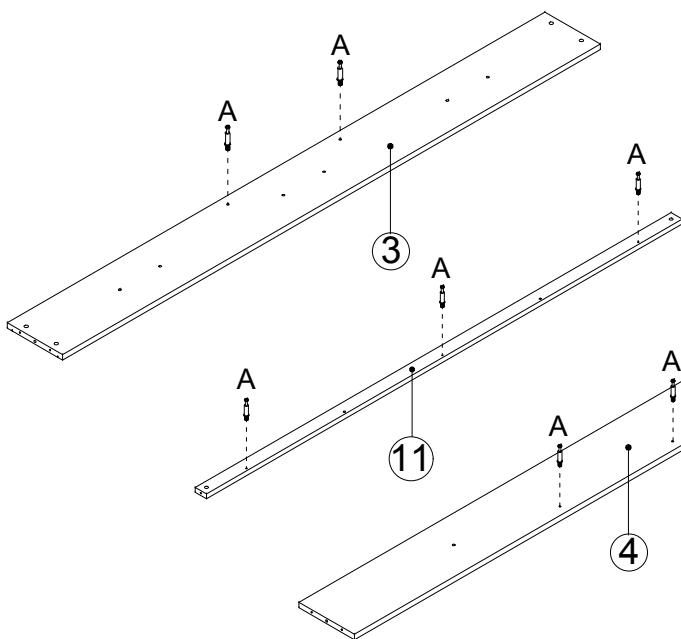
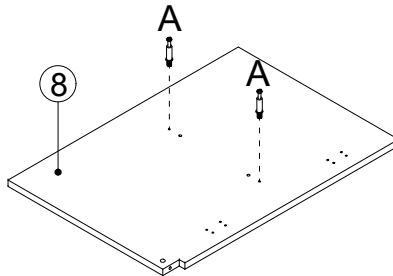
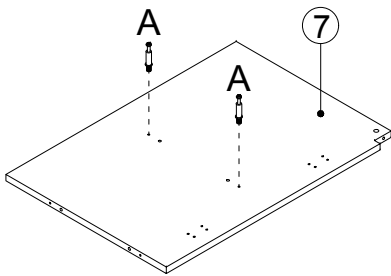
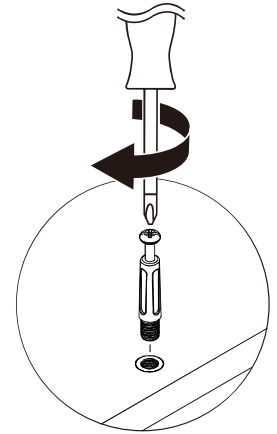
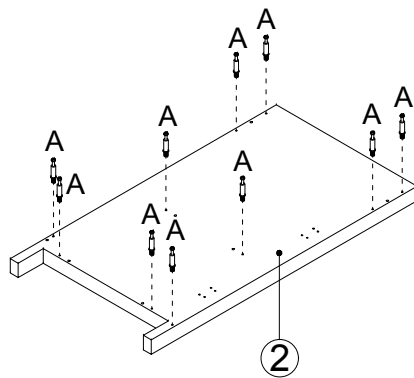
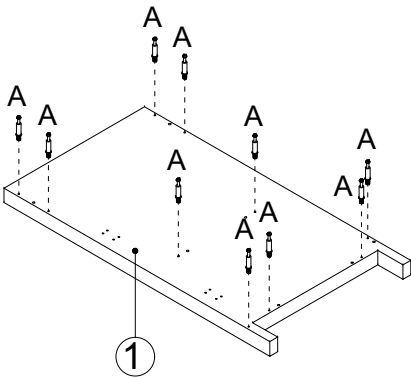
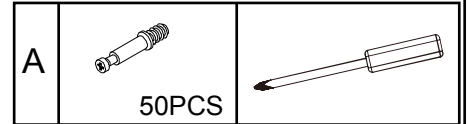
No.	Description	QTY	No.	Description	QTY
A		50	I		8
B		50	J	 ST4*12mm	48
C		24	K		4
D	 ST3.5*12mm	36	L	 ST4*30mm	12
E	 ST4*35mm	6	M		4
F		6	N		2
G	 ST4*18mm	16	O		2
H		6			

CAUTION: Please confirm the parts list before installtion

YOU MAY NEED (NOT SUPPLIED)



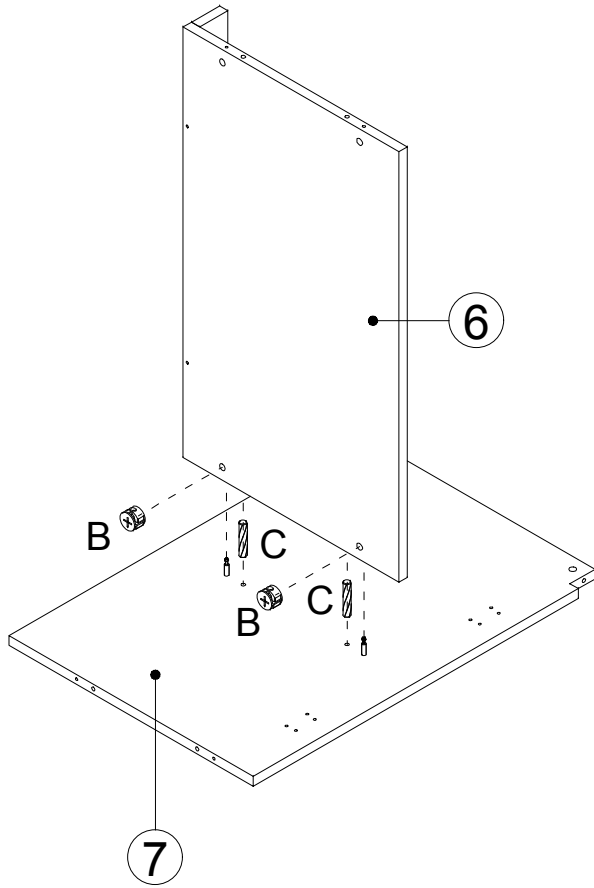
1


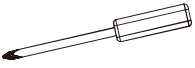



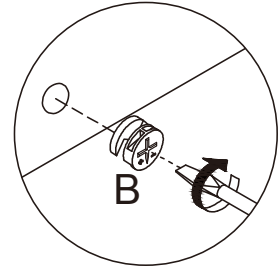
● Insert the Cam Screw into the shelves above.

x3

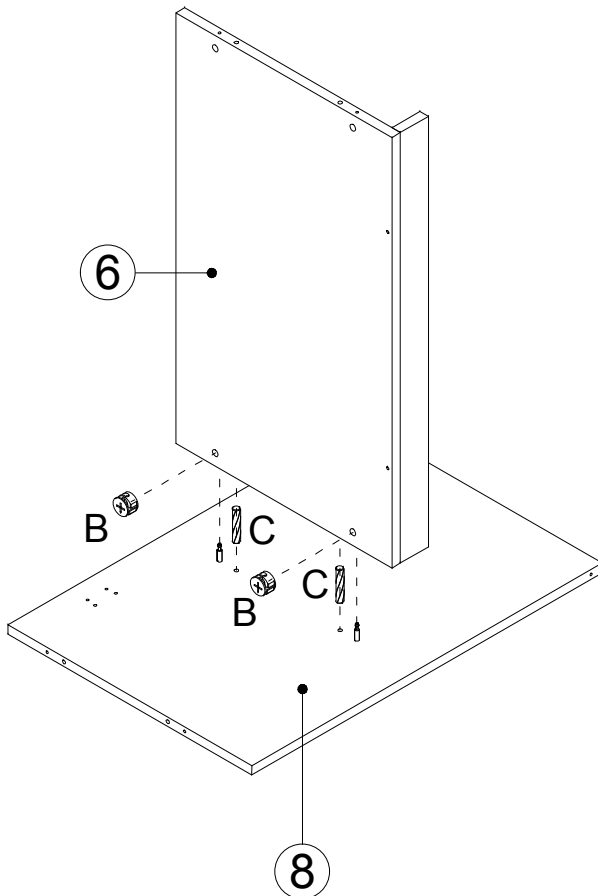
4


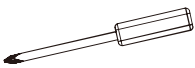
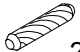


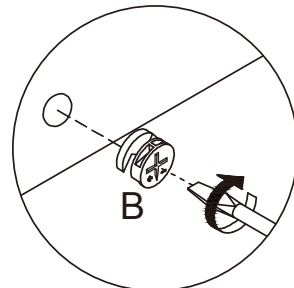
B	 2PCS	
C	 2PCS	




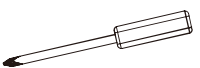
5

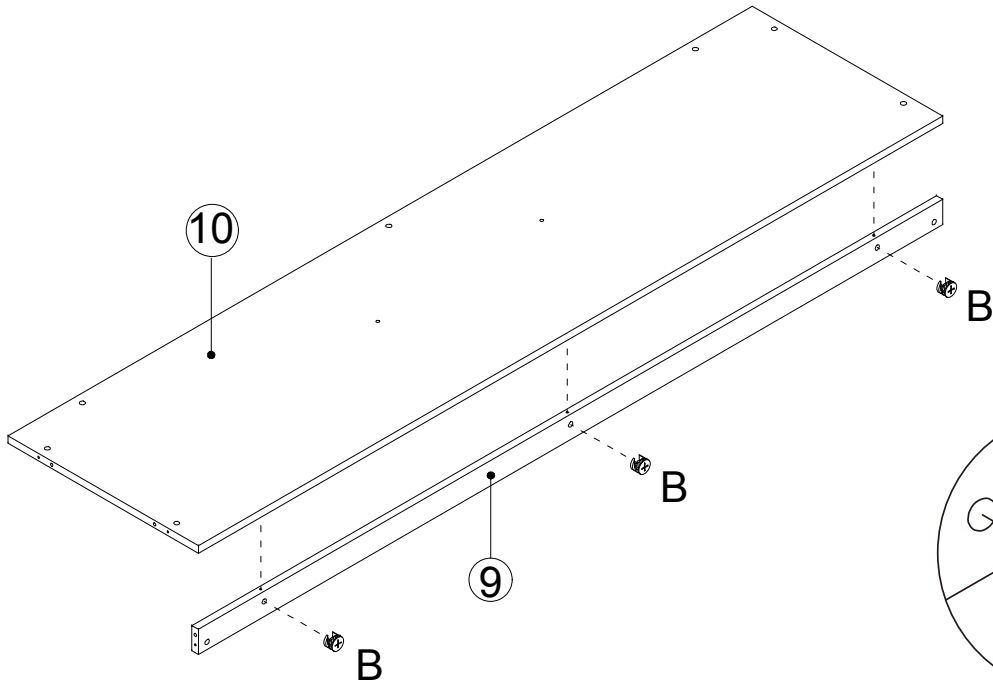


B	 2PCS	
C	 2PCS	


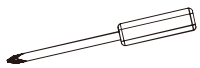



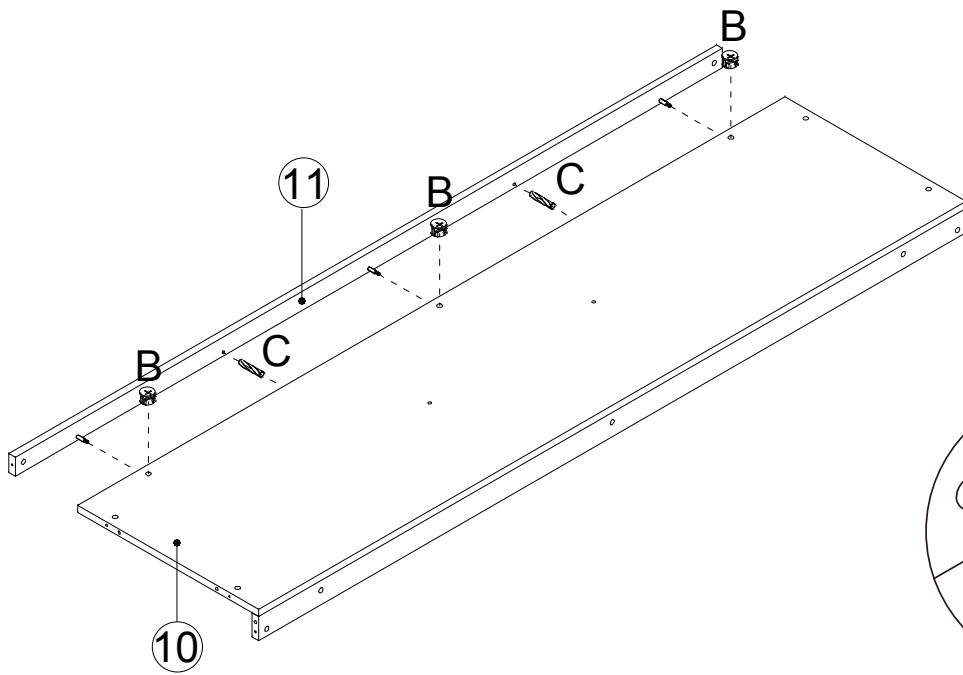
6

B	 3PCS	


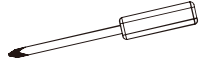



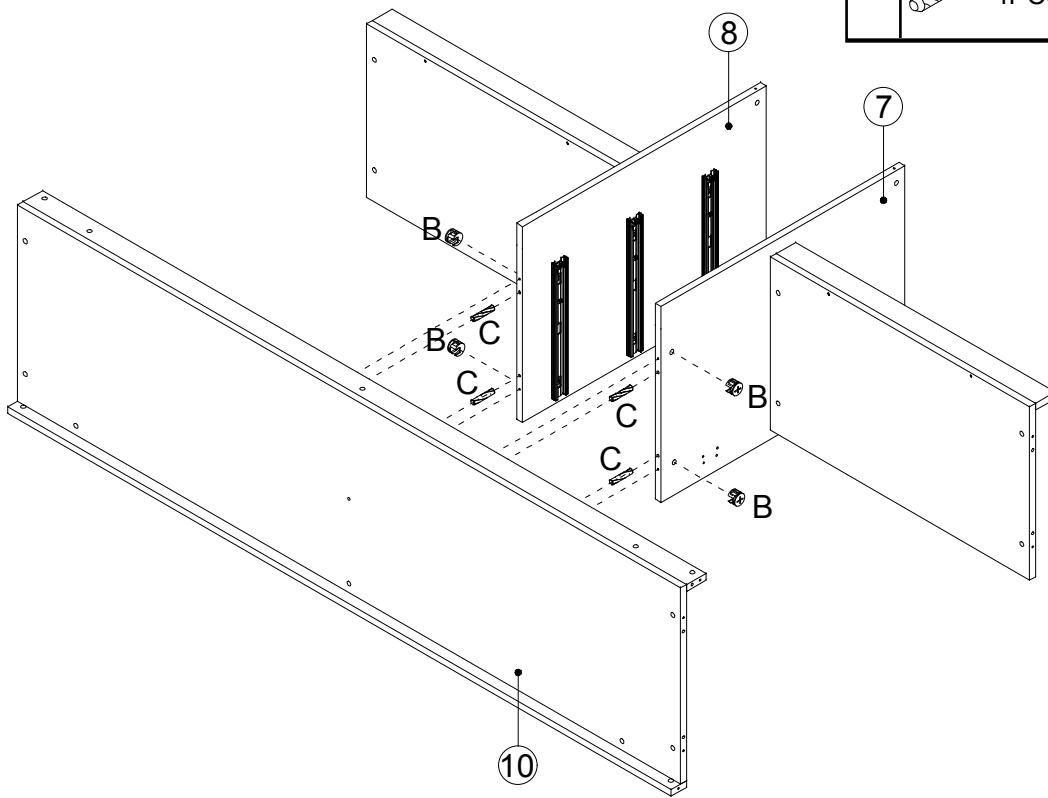
7

B	 3PCS	
C	 2PCS	


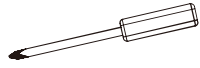



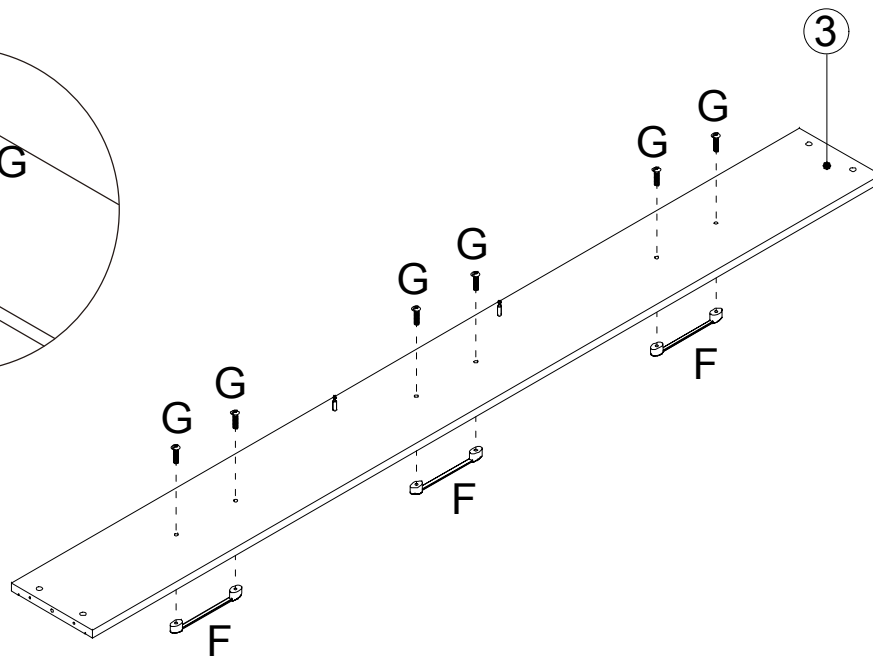
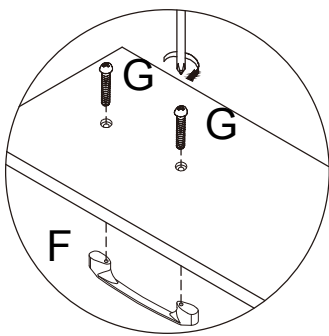
8

B		4PCS	
C		4PCS	

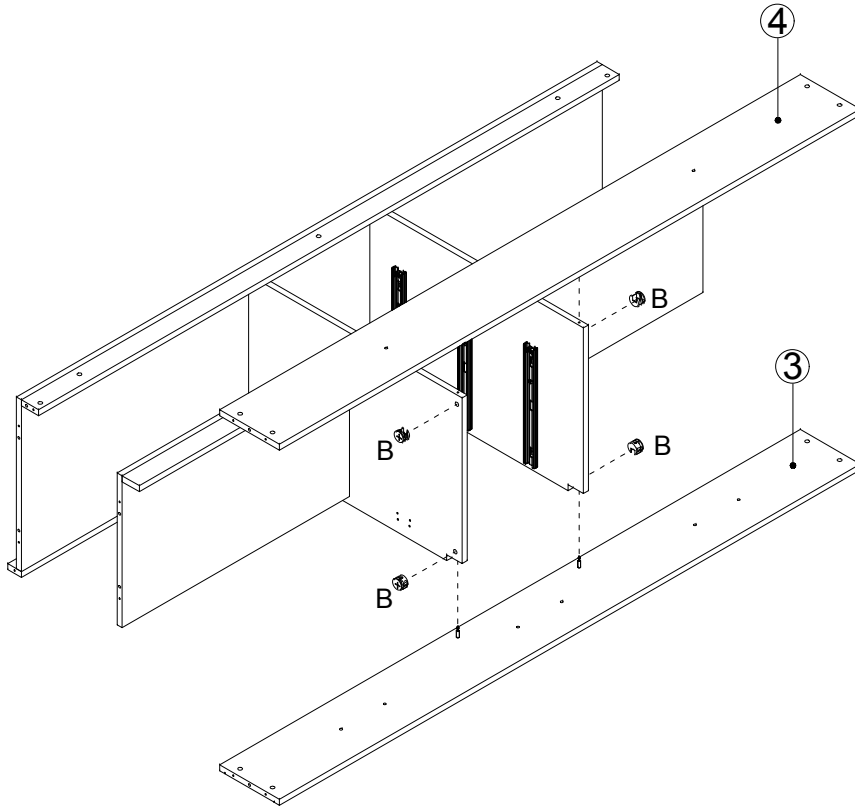



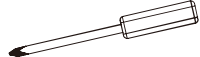
9

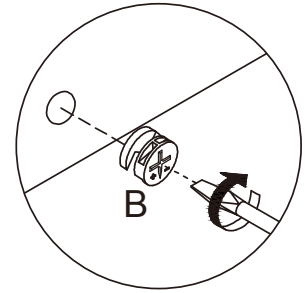
F		3PCS	
G		6PCS	



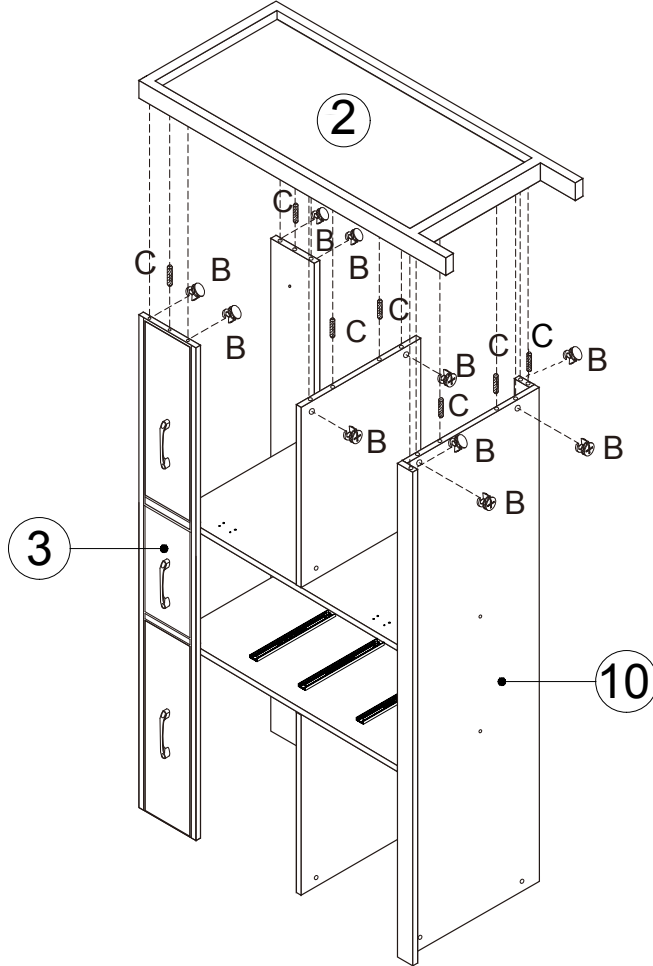
10


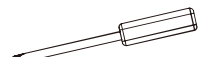
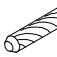


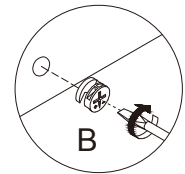
B	 4PCS	



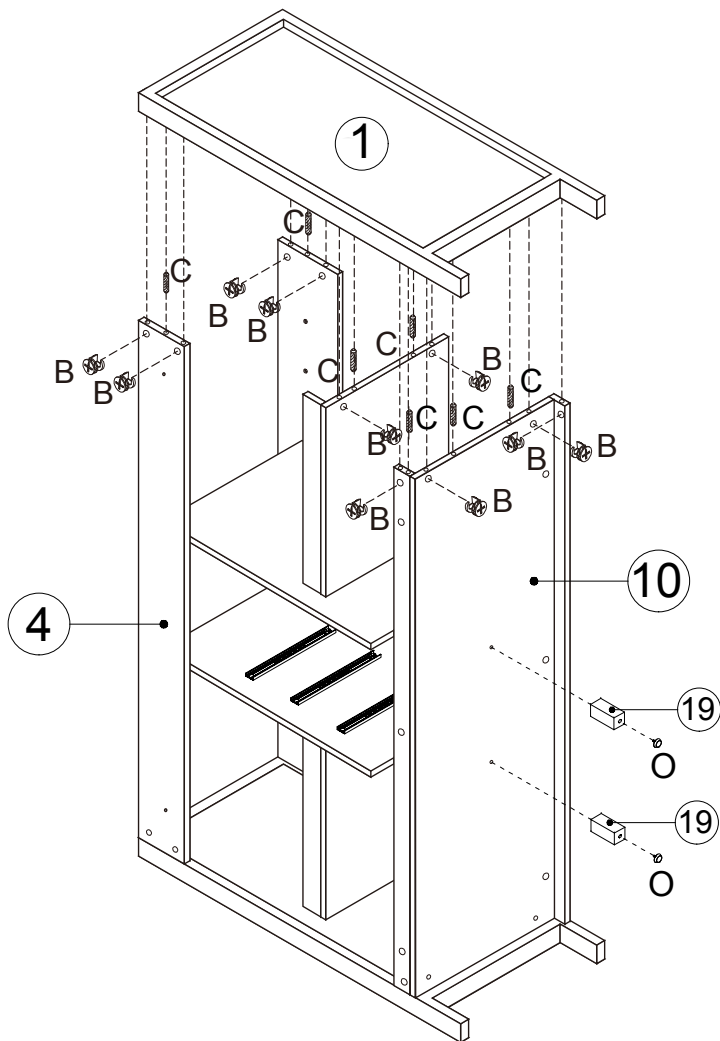
11


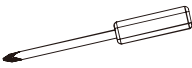
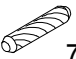



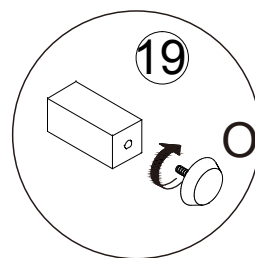
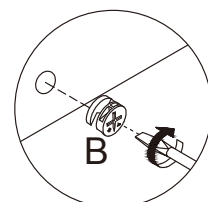
B	 10PCS	
C	 7PCS	



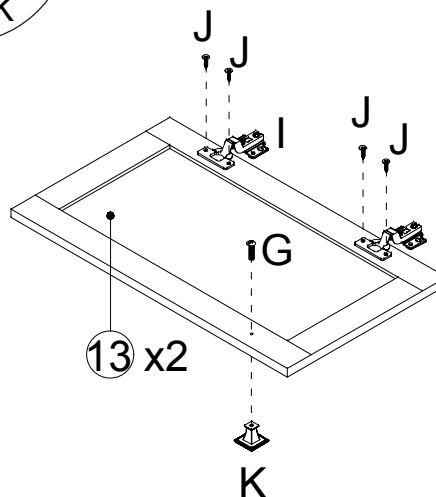
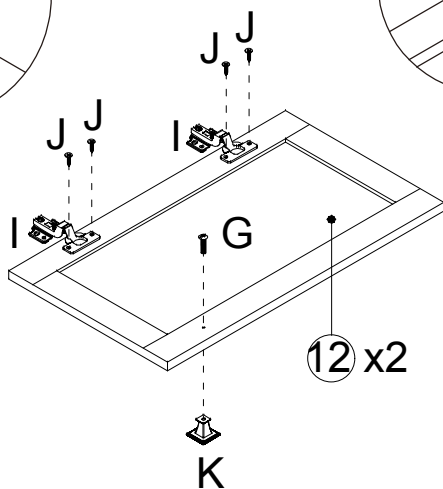
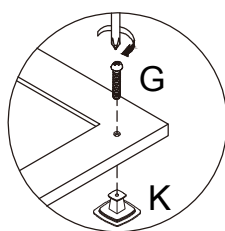
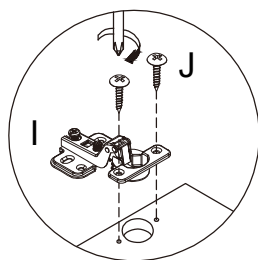
12


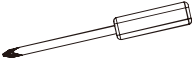





B	 10PCS	
C	 7PCS	
O	 2PCS	


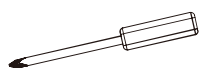



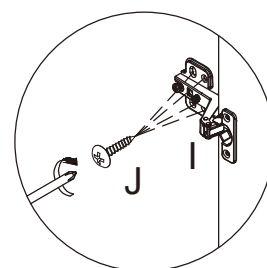
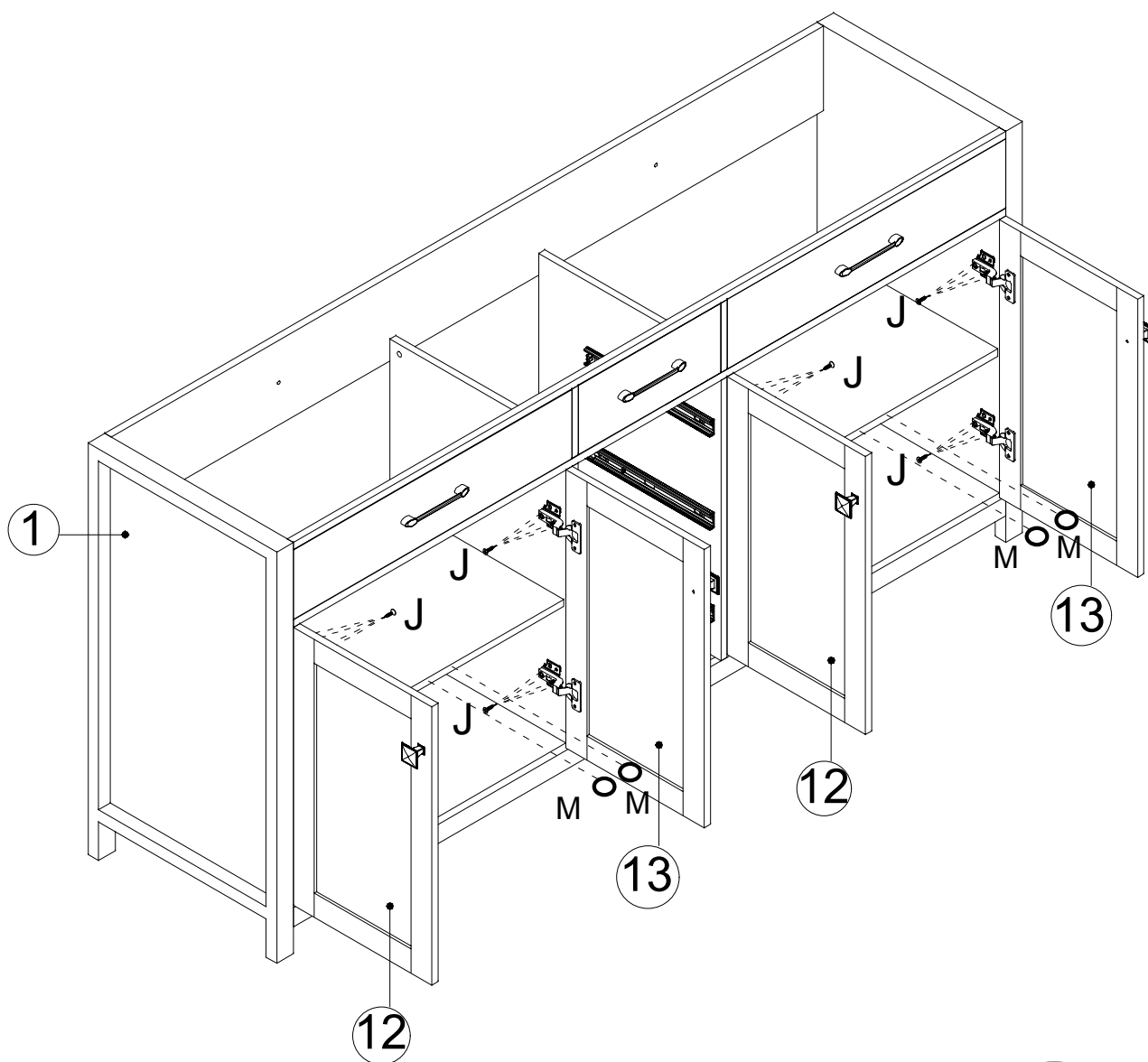
13



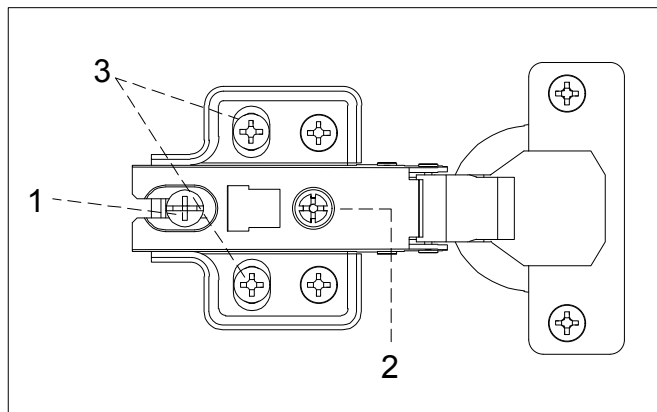
I	 8PCS	
J	 16PCS	
G	 4PCS	
K	 4PCS	

14

J		32PCS	
M		4PCS	



15

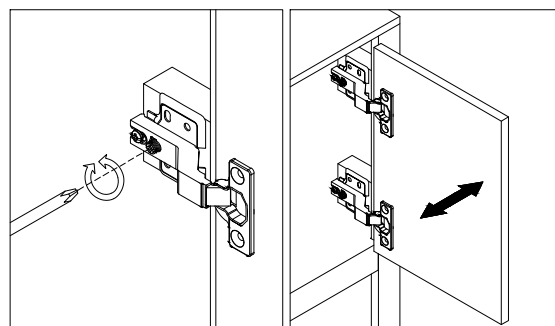


Hinge Adjustment Guide

Three-way adjustable hinge for perfectly aligned doors

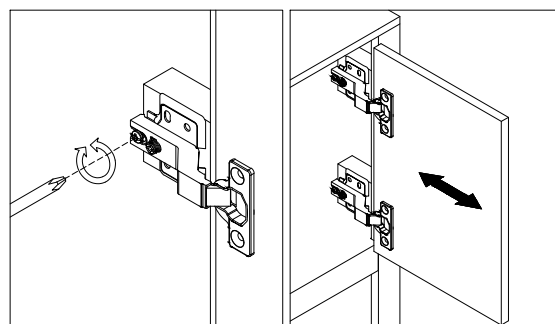
Sideways/Gap Adjustment

Turning the screw "2" on the hinges of each door allows you to adjust the door to the left or right by a few millimeters.



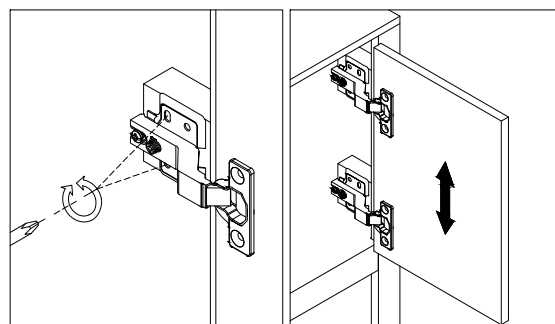
Forward/Backward Alignment

Loosen screw "1" to adjust the door forward or backward. After adjustment, tighten screw "1".

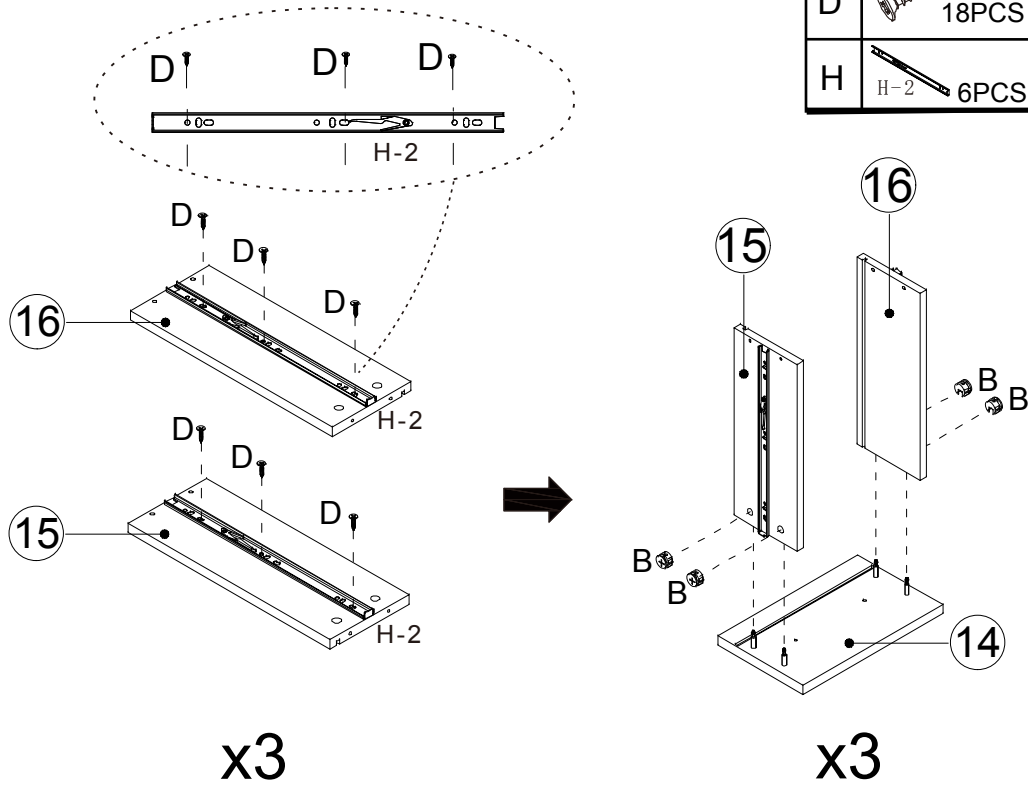


Vertical Height Adjustment

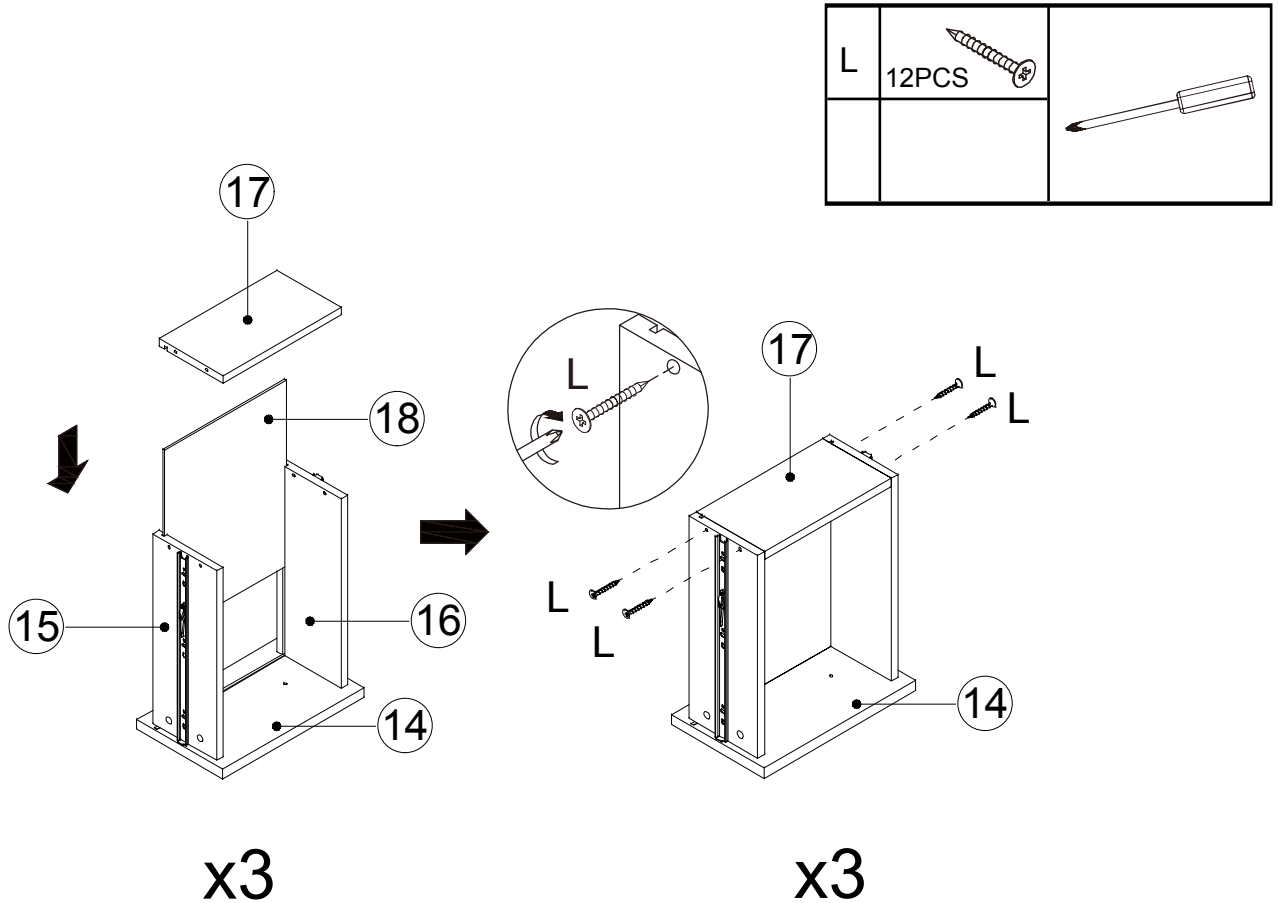
Loosen screw "3" to adjust the door up or down. After adjustment, hold the door panel and tighten screw "3".




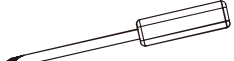

16

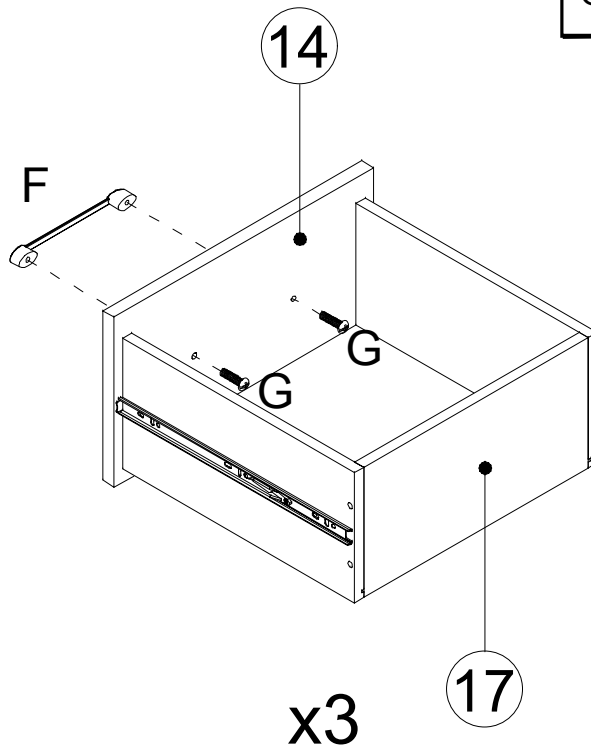


17


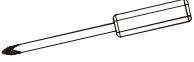



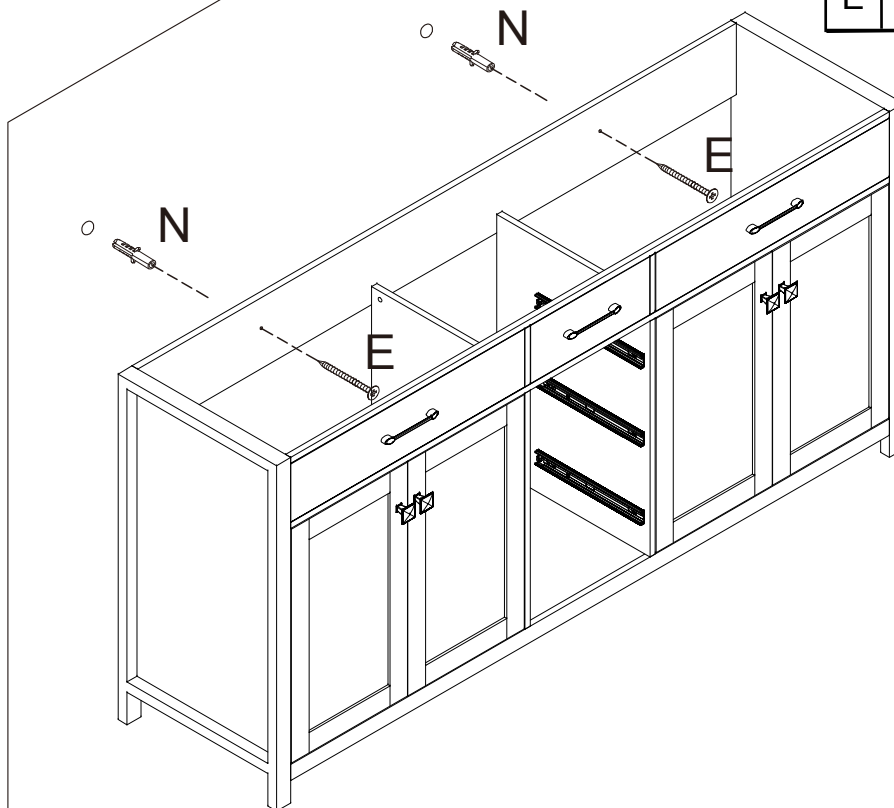
18

F	 3PCS	
G	 6PCS	

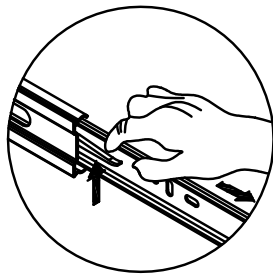
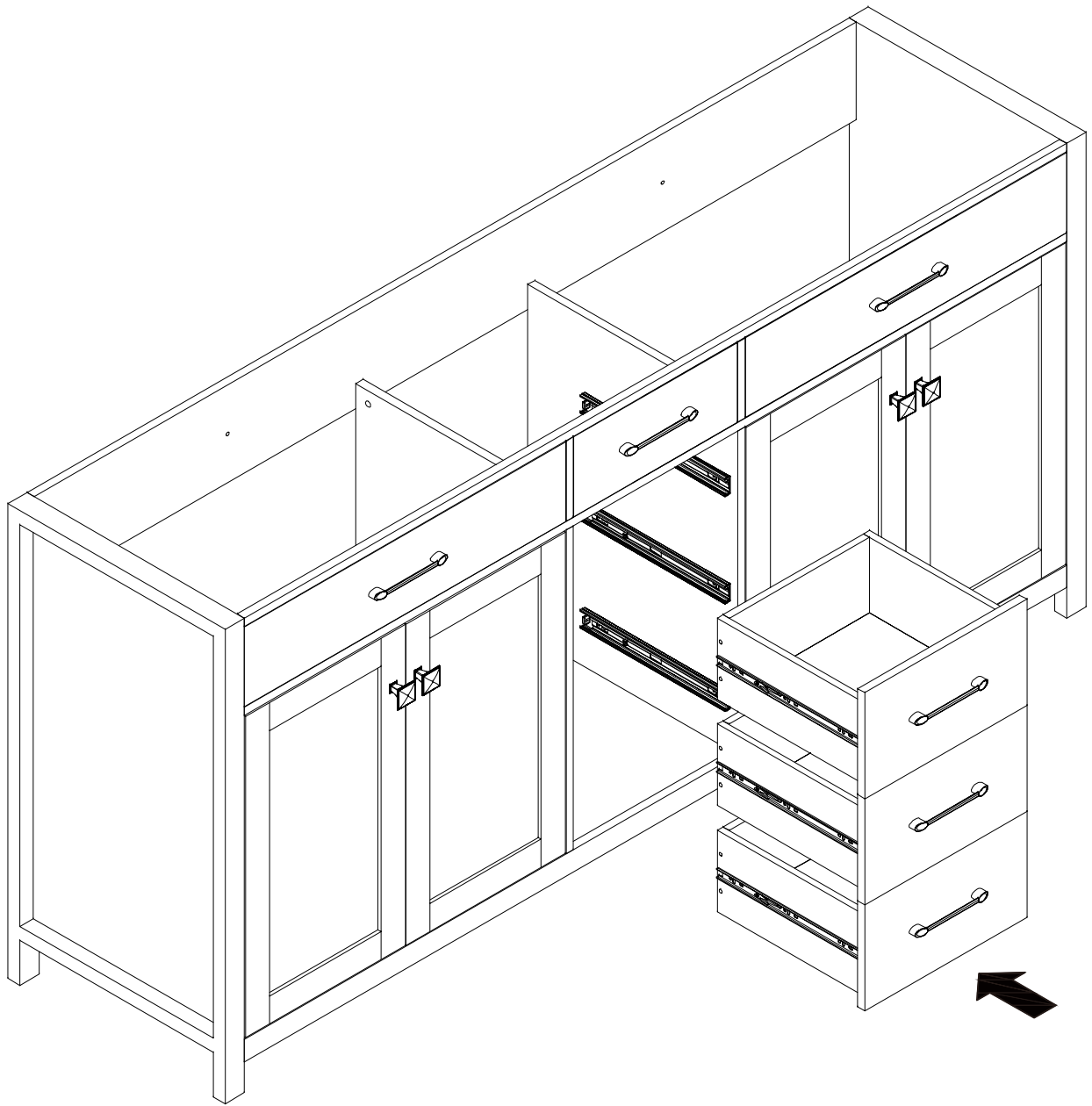


19

N	 2PCS	
E	 2PCS	



20



THANK YOU

Thank you for choosing our product. We sincerely hope that the assembly process has been smooth and enjoyable for you. If you have any questions or suggestions during the use of the product, please feel free to contact us.

Contact number: (323)-393-8260 at EST 9AM-1PM

E-mail: service@eclifeusa.com

