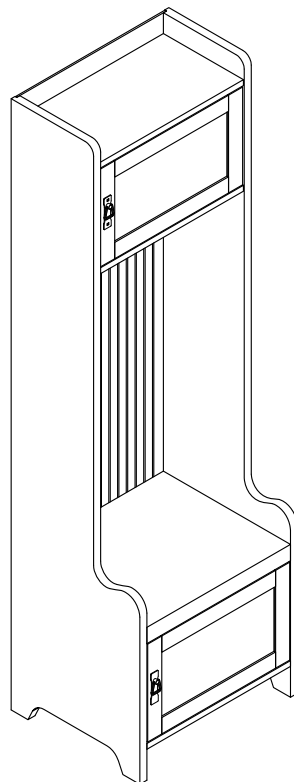
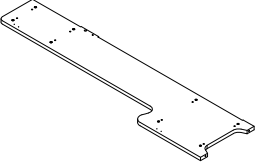
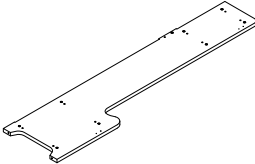
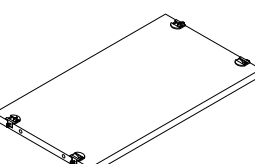
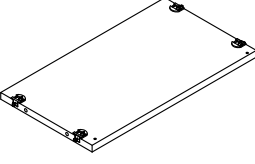
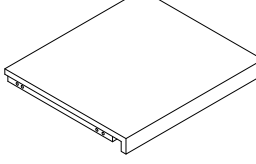
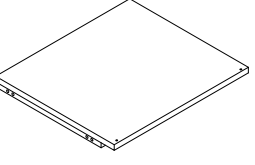
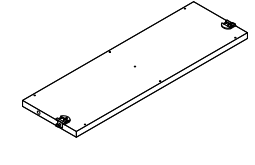
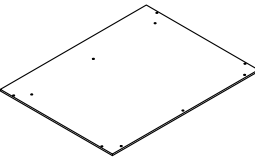
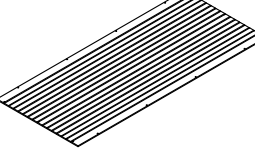
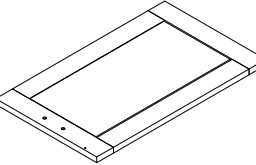







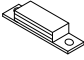
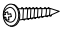

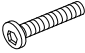
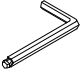

Entryway Tower



PART LIST

<p>A</p> 	<p>B</p> 	<p>C</p> 	<p>D</p> 	<p>E</p> 
<p>Left Side Panel 1 PC</p>	<p>Right Side Panel 1 PC</p>	<p>Top Shelf 1 PC</p>	<p>Middle Shelf 1 PC</p>	<p>Seat Panel 1 PC</p>
<p>F</p> 	<p>G</p> 	<p>H</p> 	<p>I</p> 	<p>J</p> 
<p>Bottom Panel 1 PC</p>	<p>Middle Back Panel 1 PC</p>	<p>Top Back Panel 1 PC</p>	<p>Bottom Back Panel 1 PC</p>	<p>Door Panel 2 PCS</p>

HARDWARE LIST

<div data-bbox="97 143 150 188">#1</div> 	<div data-bbox="378 143 430 188">#2</div>  <p data-bbox="464 371 577 405">Ø8 x 30</p>	<div data-bbox="659 143 711 188">#3</div>  <p data-bbox="679 371 924 405">Ø7 x 3.5 x 20mm</p>	<div data-bbox="940 143 992 188">#4</div> 	<div data-bbox="1220 143 1273 188">#5</div>  <p data-bbox="1307 371 1423 405">M4 x 13</p>
<p data-bbox="188 448 268 481">Hook</p> <p data-bbox="180 521 276 555">2 PCS</p>	<p data-bbox="421 443 604 477">Wood Dowel</p> <p data-bbox="389 517 636 551">19 PCS (Extra 1)</p>	<p data-bbox="711 443 879 477">Long Screw</p> <p data-bbox="679 517 924 551">25 PCS (Extra 1)</p>	<p data-bbox="1023 443 1126 477">Handle</p> <p data-bbox="1031 517 1118 551">2 PCS</p>	<p data-bbox="1240 443 1487 477">Round Head Bolt</p> <p data-bbox="1315 517 1410 551">4 PCS</p>
<div data-bbox="97 562 150 607">#6</div> 	<div data-bbox="378 562 430 607">#7</div>  <p data-bbox="421 775 608 808">D6 x Ø3 x 12</p>	<div data-bbox="659 562 711 607">#8</div>  <p data-bbox="738 775 874 808">Ø3.5 x 14</p>	<div data-bbox="940 562 992 607">#9</div>  <p data-bbox="1031 775 1142 808">M6 x 30</p>	<div data-bbox="1220 562 1299 607">#10</div>  <p data-bbox="1315 775 1394 808">4mm</p>
<p data-bbox="172 857 284 891">Magnet</p> <p data-bbox="180 931 276 965">2 PCS</p>	<p data-bbox="413 857 624 891">Magnet Screw</p> <p data-bbox="405 931 632 965">5 PCS (Extra 1)</p>	<p data-bbox="719 857 895 891">Short Screw</p> <p data-bbox="695 931 919 965">5 PCS (Extra 1)</p>	<p data-bbox="1031 857 1094 891">Bolt</p> <p data-bbox="1015 931 1110 965">8 PCS</p>	<p data-bbox="1259 857 1453 891">Allen Wrench</p> <p data-bbox="1315 931 1394 965">1 PC</p>
<div data-bbox="97 974 172 1019">#12</div>  <p data-bbox="124 1263 352 1296">Safety Strap Kit</p> <p data-bbox="197 1339 268 1373">1 PC</p>				

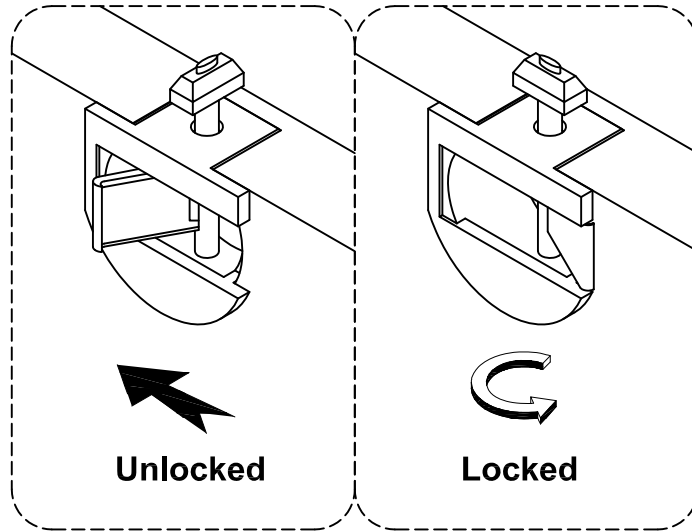
ADDITIONAL TOOLS (Not Provided)

Note: It is not recommended to use power tools during assembly.



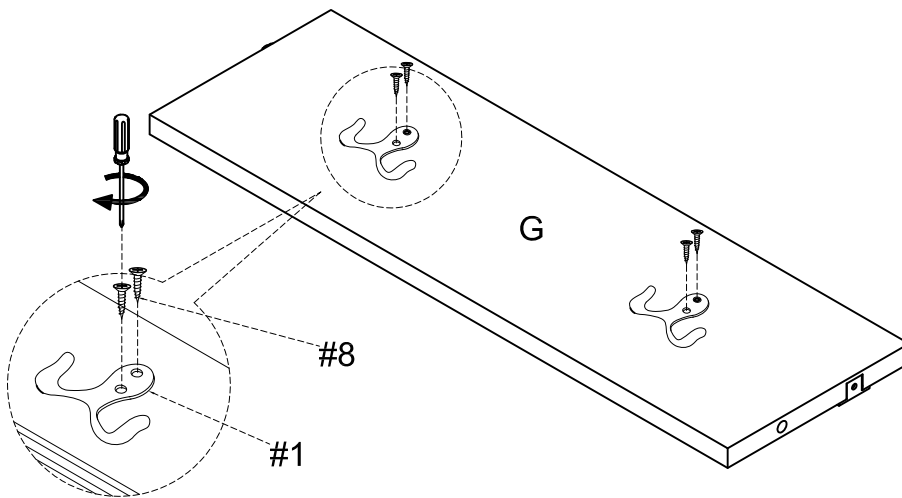
Phillips Head Screwdriver



Please do not use tools to assemble this unit unless specifically indicated.



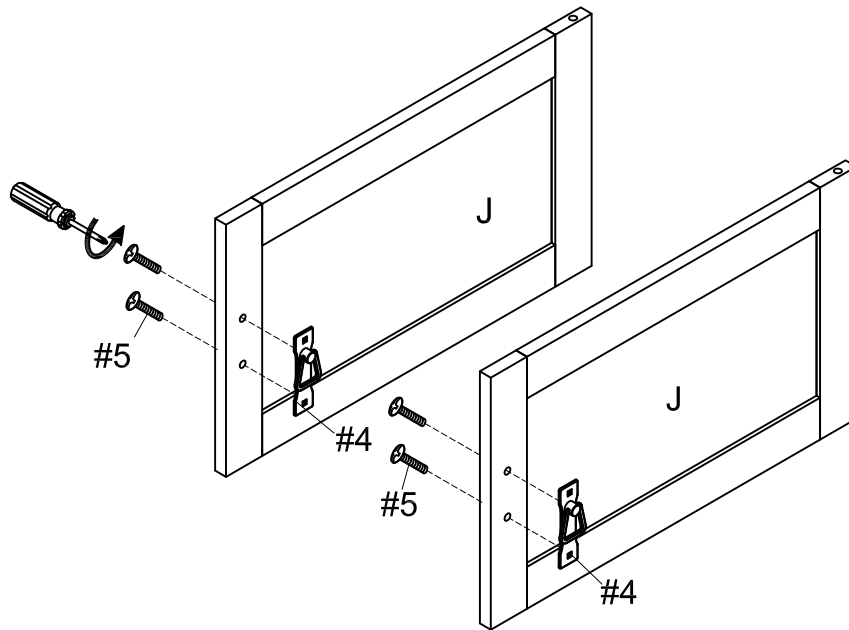
Reference the images above any time the instructions state "lock the hardware".
Note: Be sure to check all hardware is locked when completed.



Step 1. Attach hooks (part #1) to middle back panel (part G) using short screws (part #8) and phillips head screwdriver.



- #1  x 2
- #8  x 4

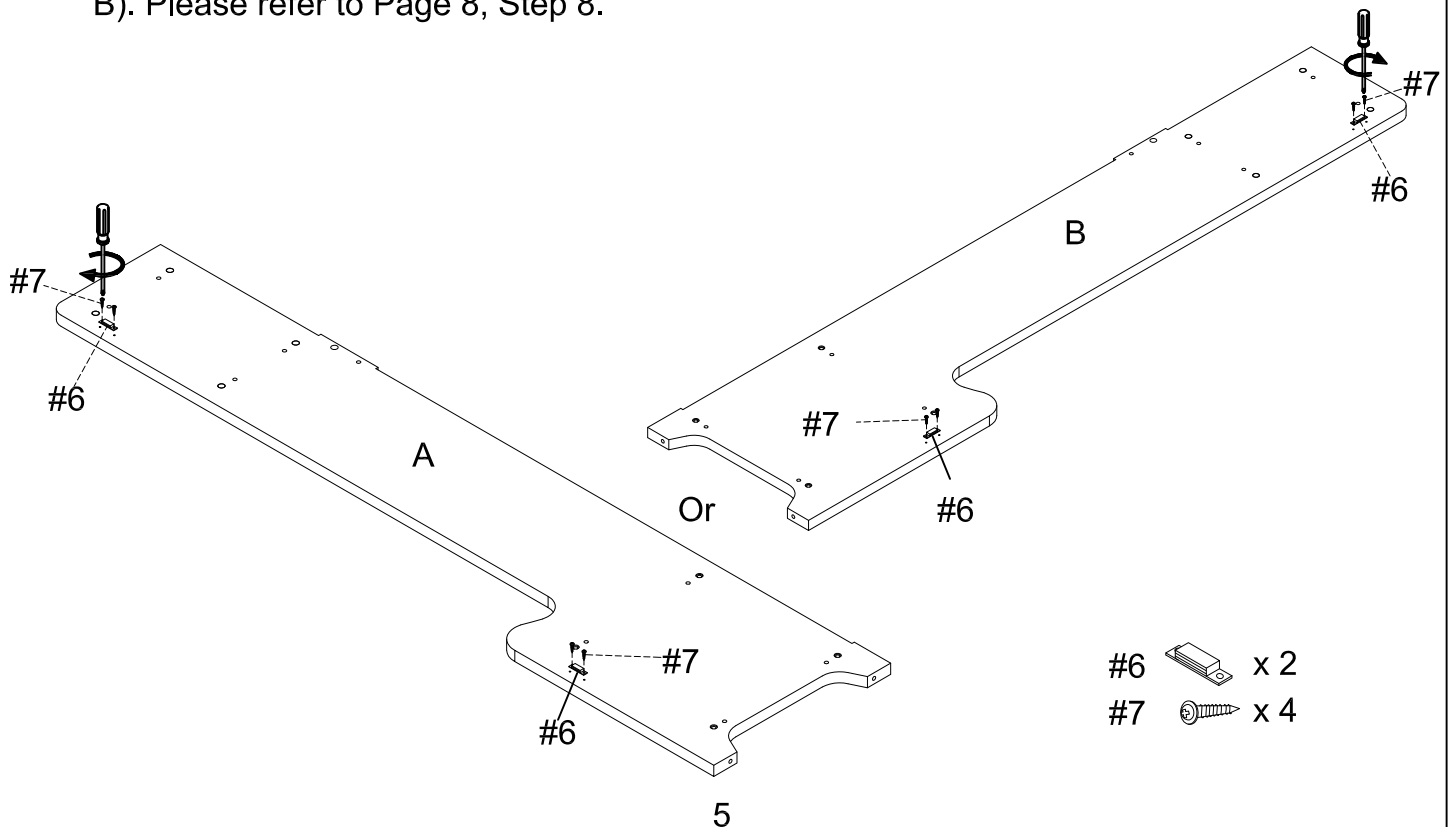
Step 2. Attach handles (part #4) to door panels (part J) using round head bolts (part #5) and phillips head screwdriver.

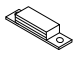
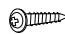


#4  x 2
 #5  x 4

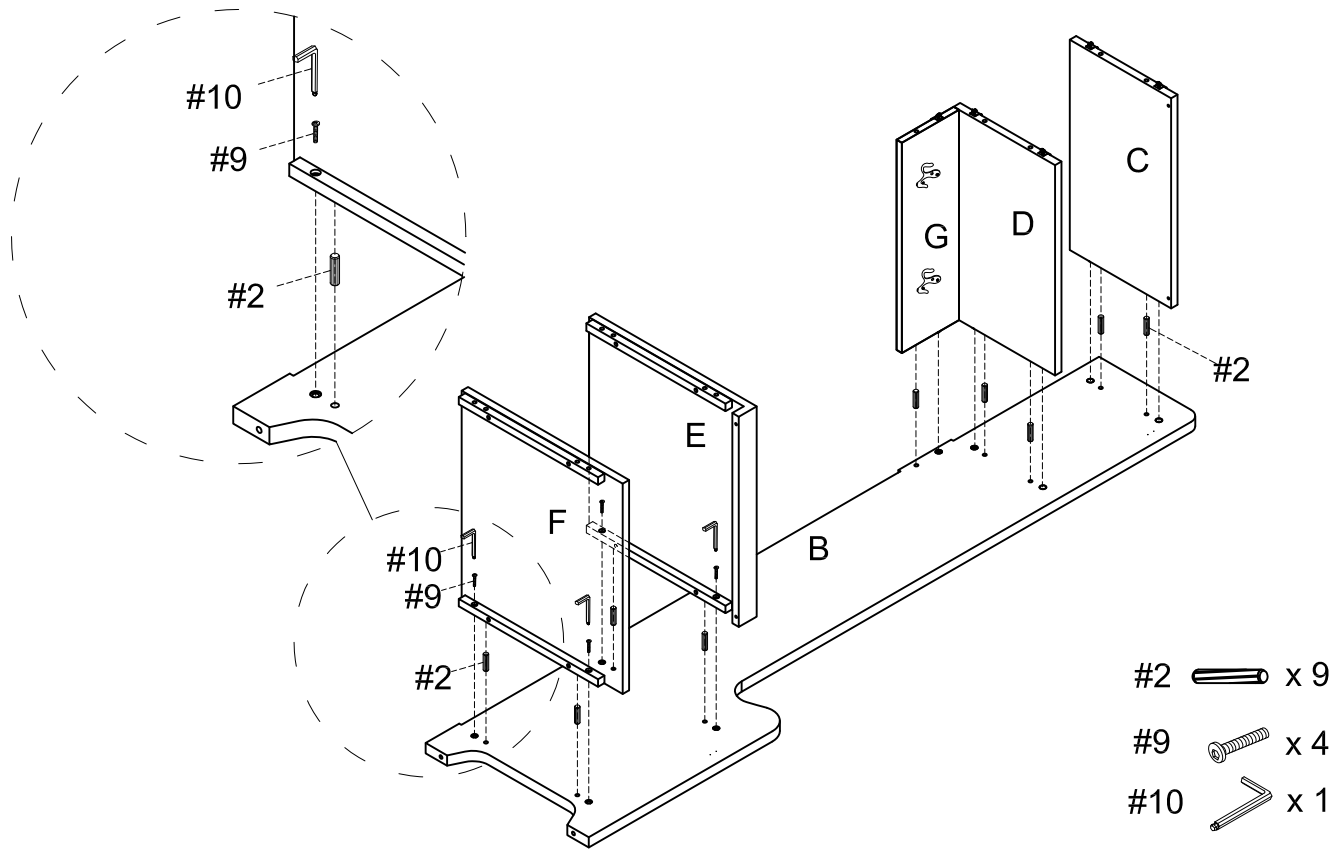
Step 3. Attach magnets (part #6) to left side panel (part A) or right side panel (part B) using magnet screws (part #7) and phillips head screwdriver.

Note: If door panels open on right, then attach magnets (part #6) to left side panel (part A). If door panels open on left, then attach magnets (part #6) to right side panel (part B). Please refer to Page 8, Step 8.

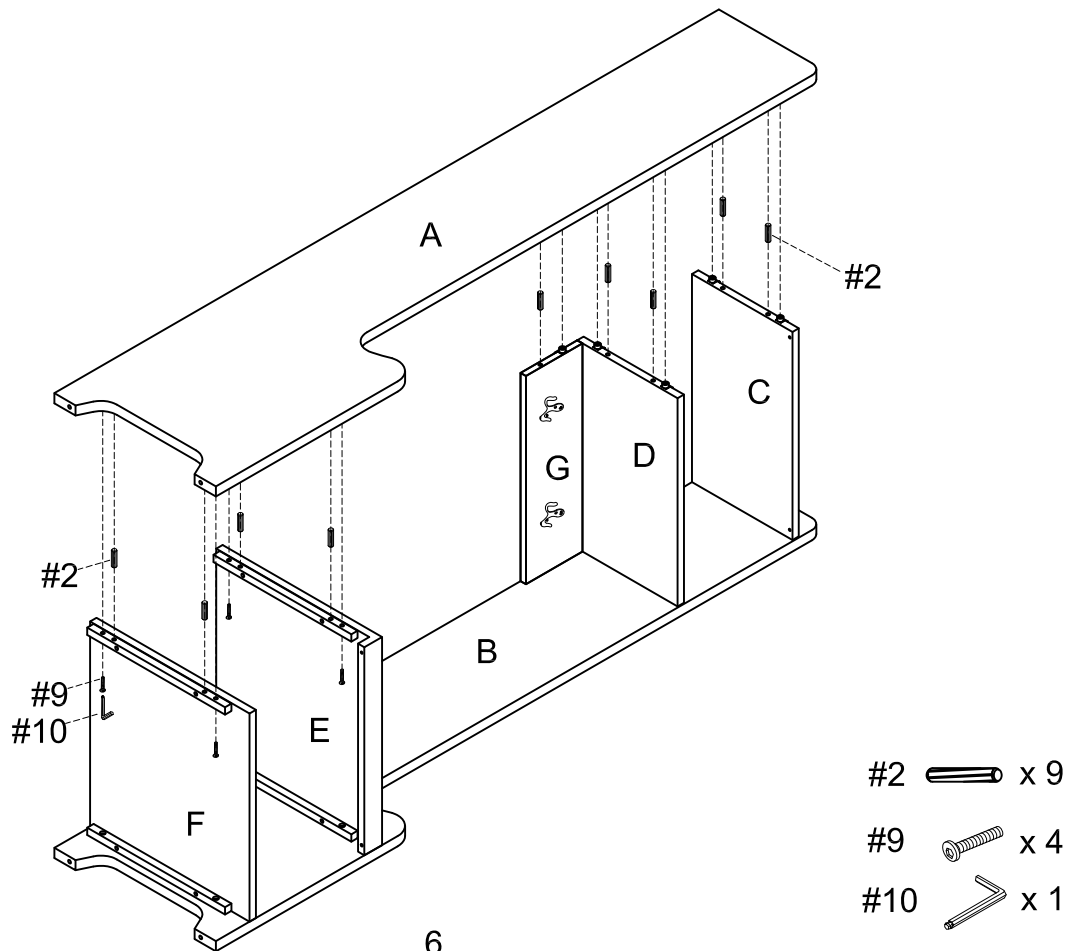


#6  x 2
 #7  x 4

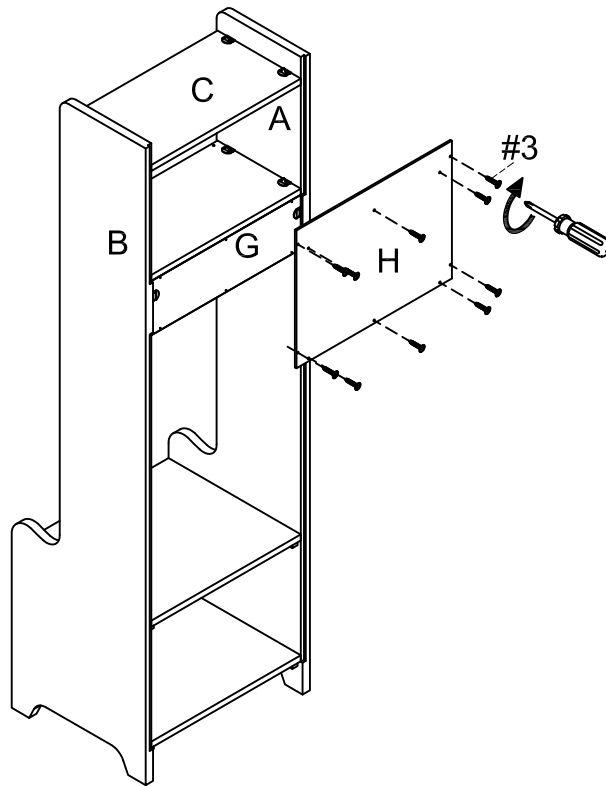
Step 4. Attach top shelf (part C), middle shelf (part D), middle back panel (part G), seat panel (part E) and bottom panel (part F) to right side panel (part B) using wood dowels (part #2), allen bolts (part #9), allen wrench (part #10) and lock the hardware.



Step 5. Attach left side panel (part A) to assembled unit (parts C, D, E, F & G) using wood dowels (part #2), allen bolts (part #9), allen wrench (part #10) and lock the hardware.

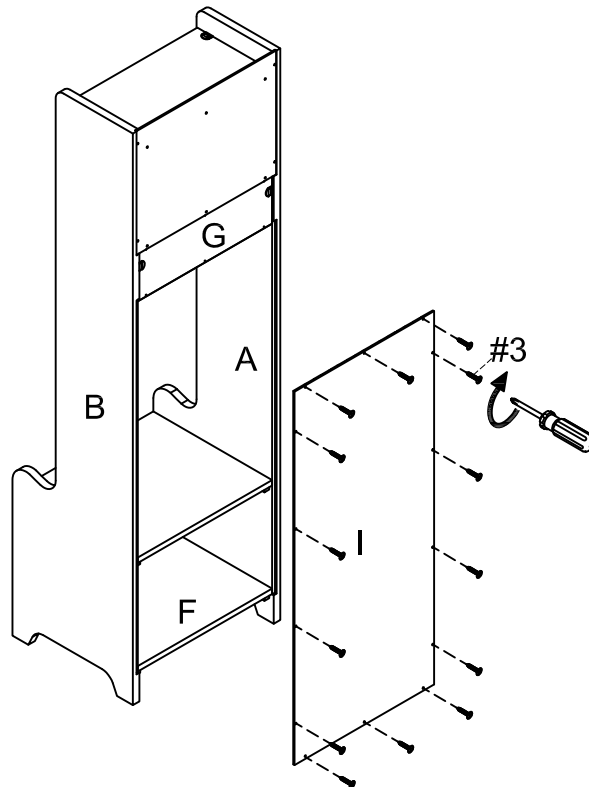


Step 6. Carefully turn unit upright. Attach top back panel (part H) to assembled unit (parts A, B, C & G) using long screws (part #3) and phillips head screwdriver.



#3  x 10

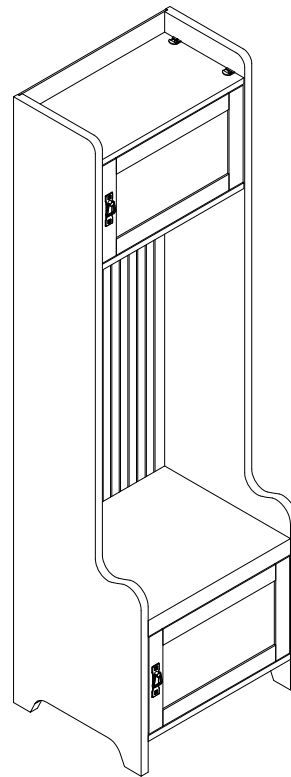
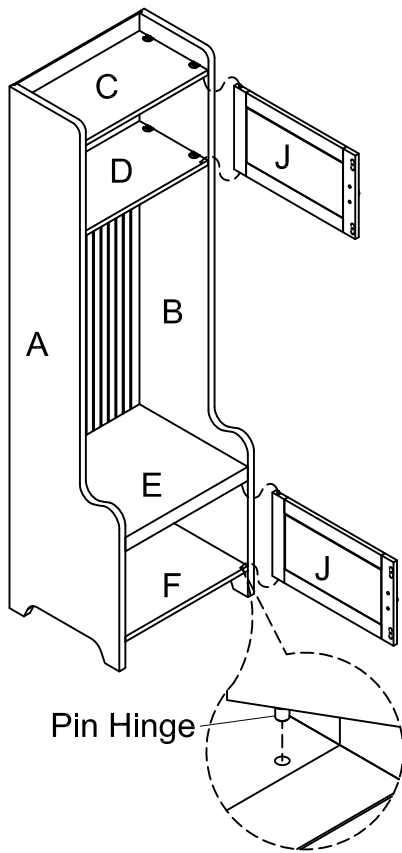
Step 7. Attach bottom back panel (part I) to assembled unit (parts A, B, F & G) using long screws (part #3) and phillips head screwdriver.



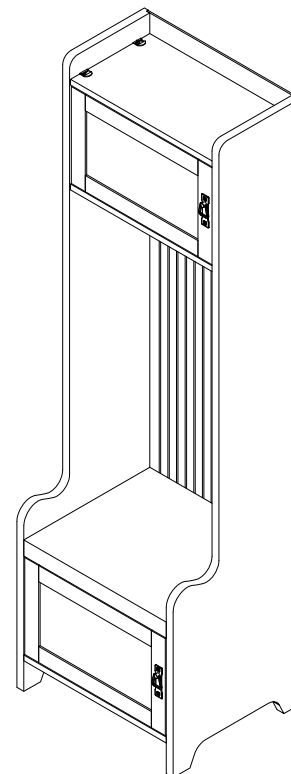
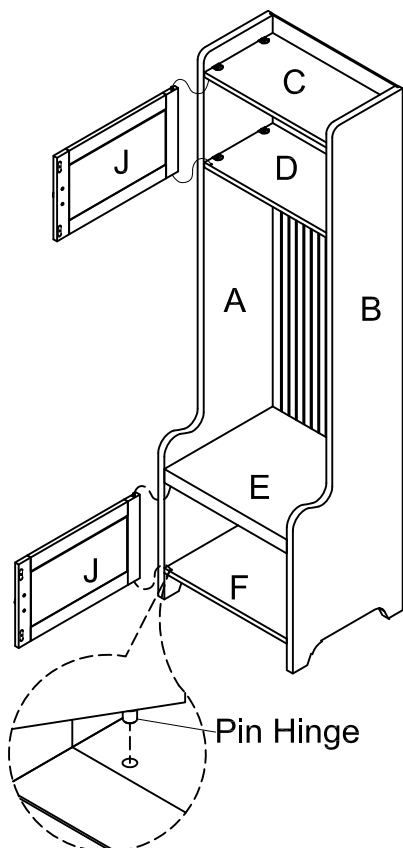
#3  x 14

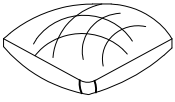
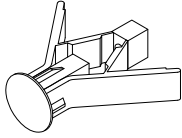



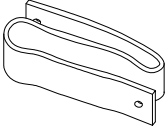
Step 8. There are two installation options for door panels (part J). Attach door panels (part J) by placing bottom pin hinge (pre-installed in door) in the pre-drilled hole of middle shelf (part D) and bottom panel (part F). Then depress the top spring-loaded pin hinge so it can be placed in the pre-drilled hole of top shelf (part C) and seat panel (part E).

NOTE: Be sure top and bottom pin hinges are fully extended to secure doors in place.



Or



#12	A	B	C	D	E
			 D8 x 3/4"	 D8 x 1-1/2"	
Safety Strap Kit 1 PC	Wall Anchor 1 PC	Washer 2 PCS	Short Screw 1 PC	Long Screw 1 PC	Safety Wall Strap 1 PC

SAFETY WALL STRAP INSTALLATION

Note: It is highly recommended to install this safety strap kit to prevent tipping, damage and/or injury.

1. Insert short screw (C) through washer (B), safety wall strap (E) and attach to middle back panel (part G) using phillips head screwdriver.

2. Drill a 11/32"(6mm) hole where you want to secure the unit. The drilled hole will be at the same height as the hole in middle back panel (part G) where safety wall strap (E) is attached. Tap wall anchor (A) into the hole.

3. Insert long screw (D) through washer (B) and safety wall strap (E) into wall anchor (A) using a phillips head screwdriver.

