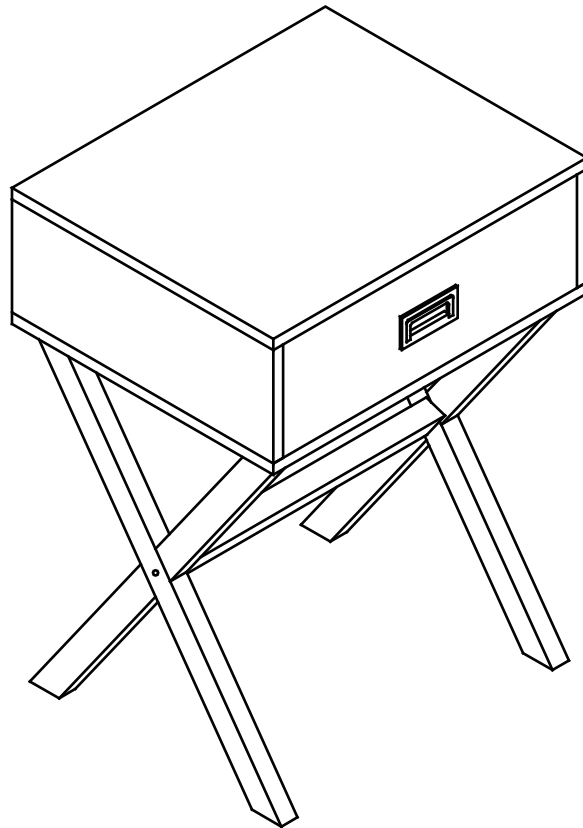


## End table



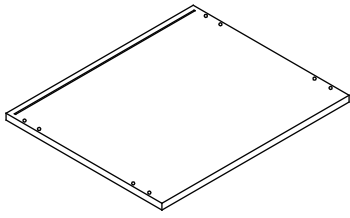
## Assembly instructions

We have designed our furniture with you, the customer in mind. Our clear, easy to follow step by step instructions will guide you through the project from start to finish.

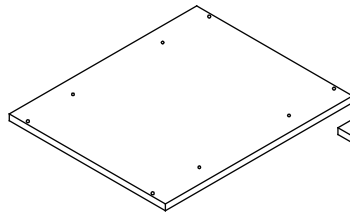
Feel confident that this will be a fun and rewarding project. The final product will be a quality piece of furniture that will go together smoothly and give years of enjoyment.



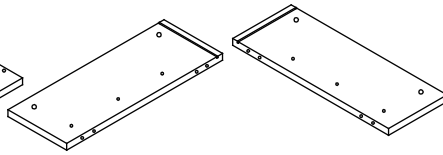
Please do not return to the store  
Broken or missing Hardware?  
Need help with Assembly?



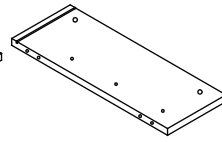
① x1



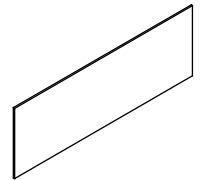
② x1



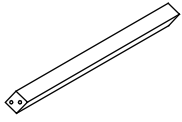
③ x1



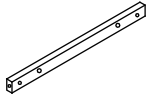
④ x1



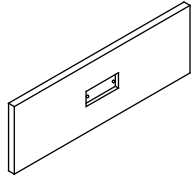
⑤ x1



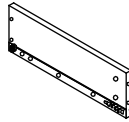
⑥ x1



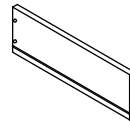
⑦ x2



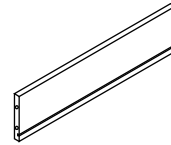
⑧ x1



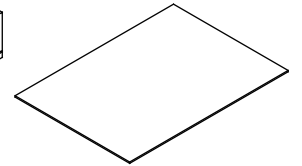
⑨ x1



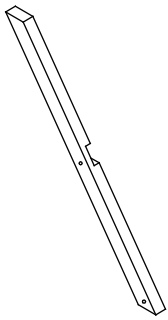
⑩ x1



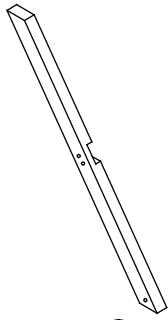
⑪ x1



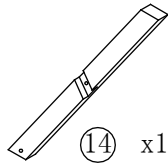
⑫ x1



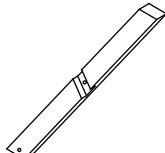
⑬ x1



⑮ x1



⑭ x1



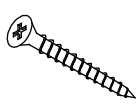
⑯ x1



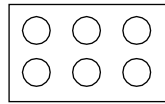
A x12



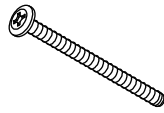
B x12



C x8



D x6



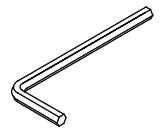
E x4



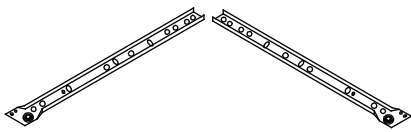
F x4



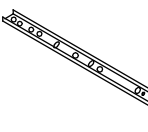
G x2



H x1



I x1



J x1



K x8



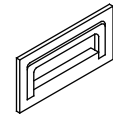
L x2



M x6

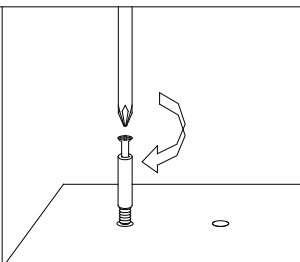


N x2

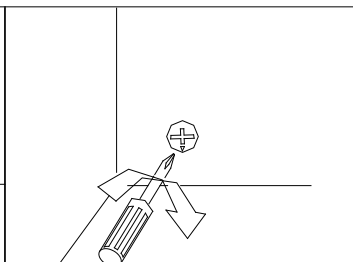


O x1

### Assembling the unit with cams and wood dowels.



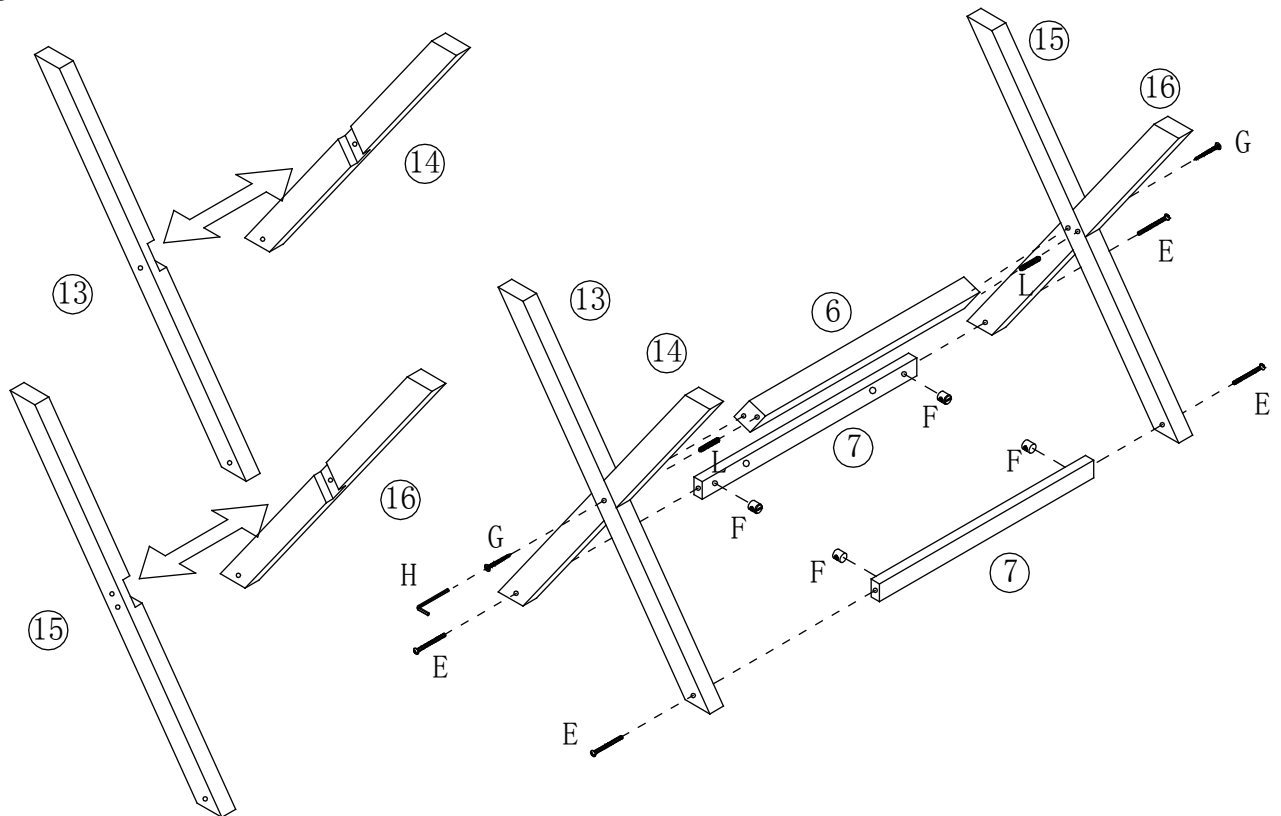
Gently screw cam dowel into the threaded anchor.



Insert cam lock with arrow pointing down. Screw the cam firmly into locked position.

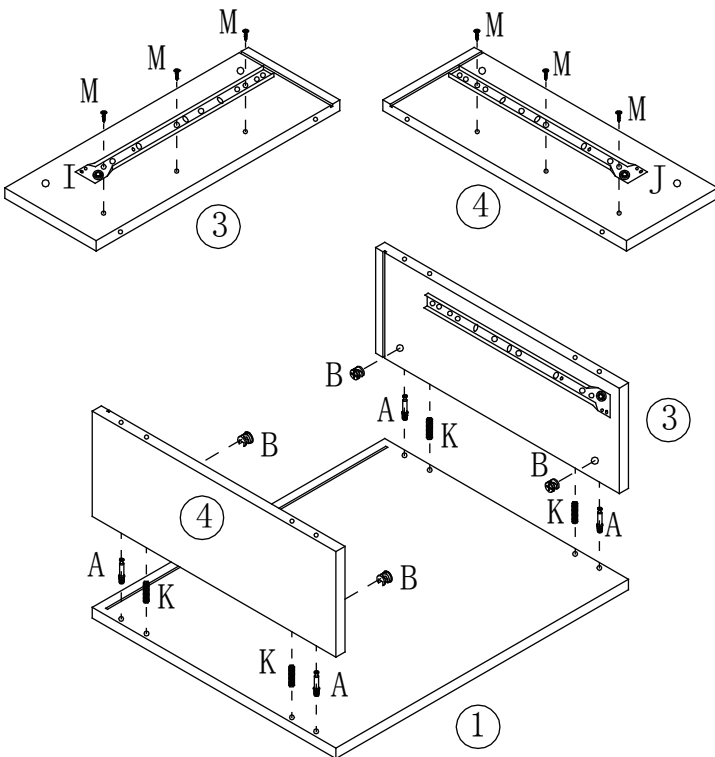
Note: Barrel nut (F) threads must face holes.

## Step 1

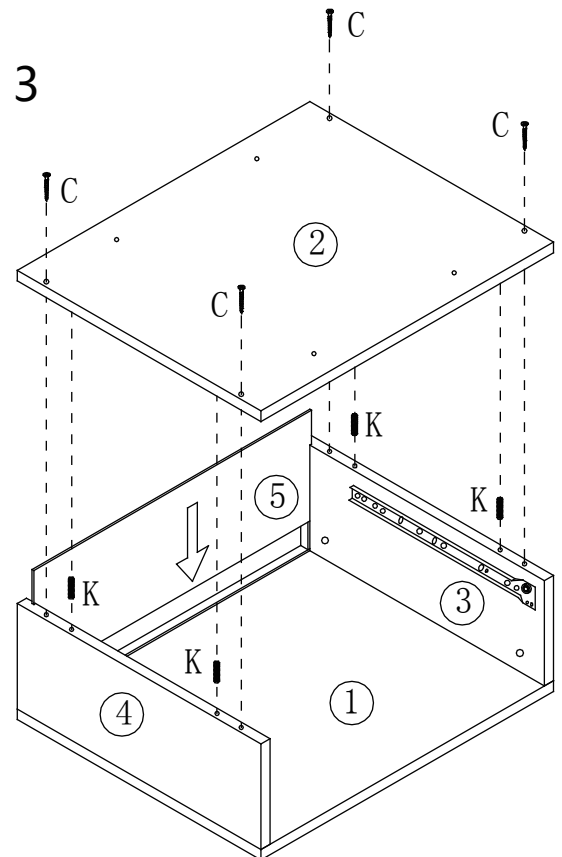


1. Loosely connect legs ⑬ to ⑭ and ⑮ to ⑯
2. Attach leg assemblies to support bars ⑥ and ⑦ using dowels, allen bolts and barrel nuts as shown.

## Step 2

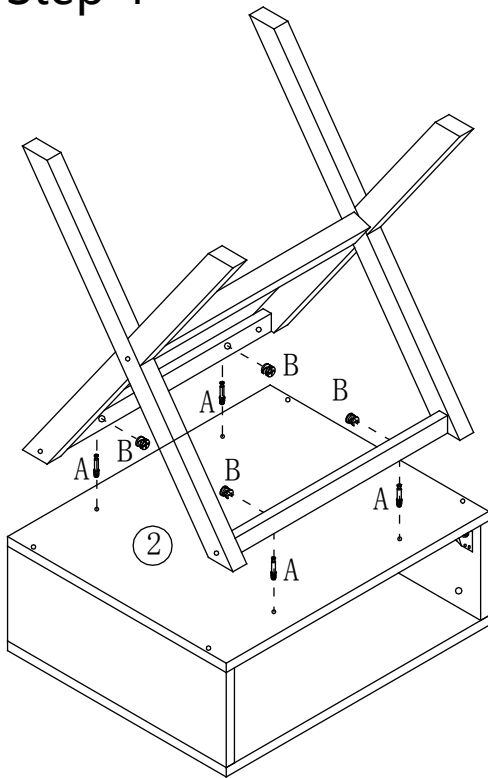


## Step 3



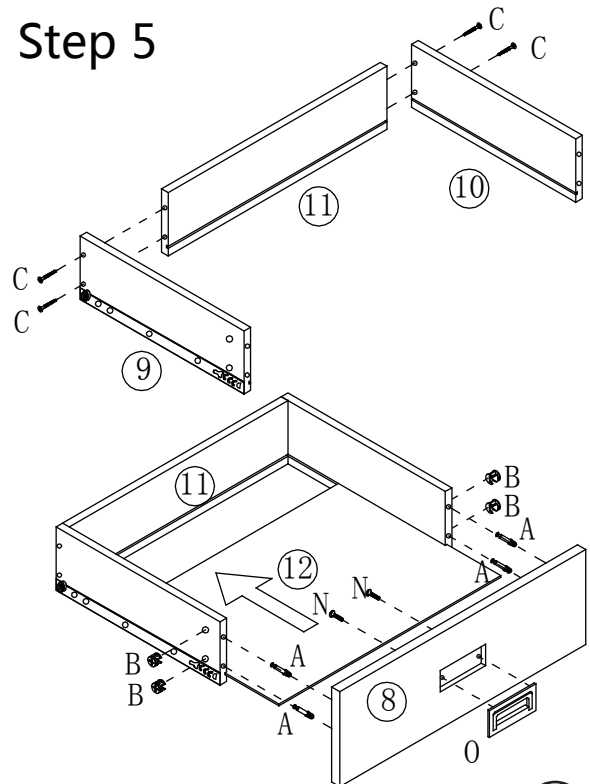
1. Attach side rails(M) to panel ③ and ④ with roller on opposite end of slots.
2. Using cam lock hardware attach panel ③ and ④ to panel ①, gently tighten cam locks.
3. Slide back panel ⑤ into slots of assemble panel ② with screw (C).

## Step 4



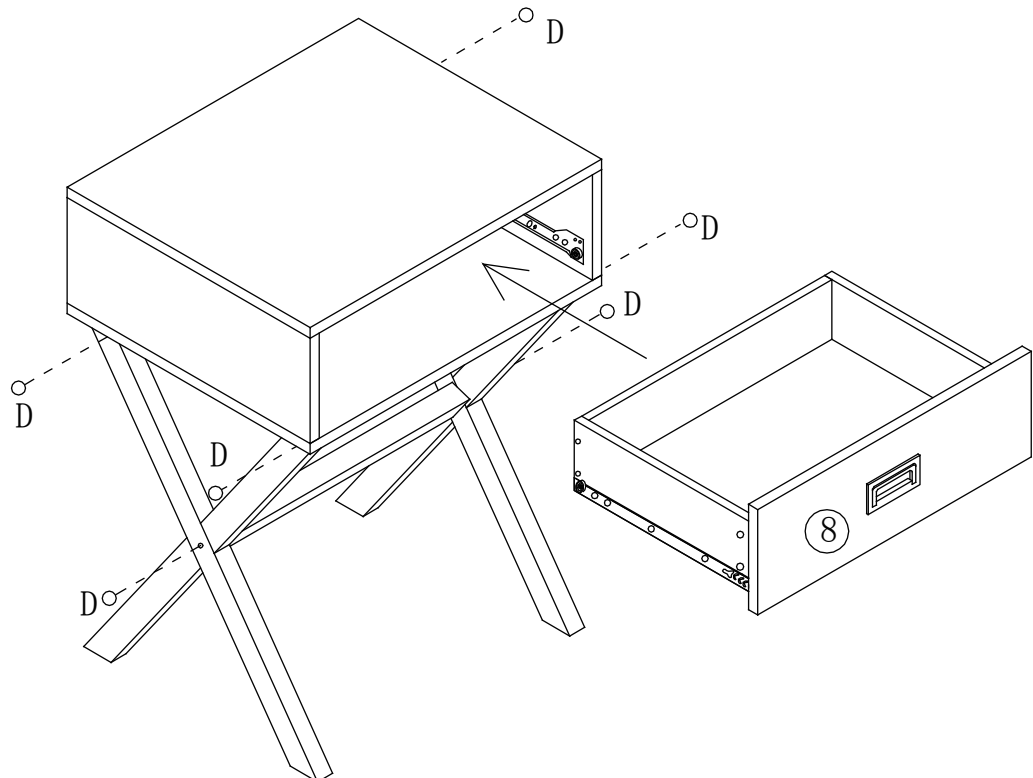
Attach leg assembly to top using cam lock hardware.

## Step 5



1. Attach panel ⑨ and ⑩ to panel ⑪ with screws (C) as shown.
2. Slide bottom panel ⑫ into slots.
3. Attach handle to drawer front.
4. Attach drawer front to unit with cam lock hardware.

## Step 6



1. Carefully slide drawer into unit.
2. Enjoy!