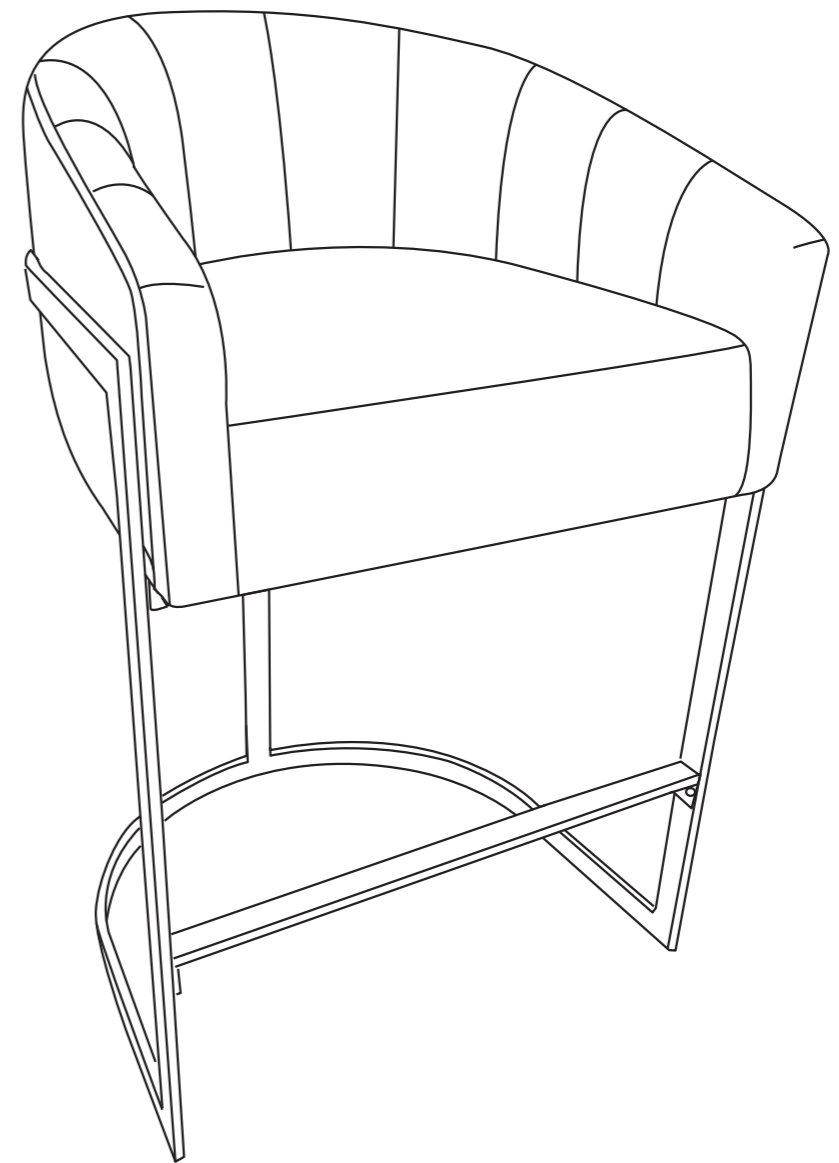
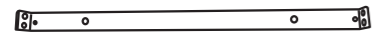


ASSEMBLY INSTRUCTIONS



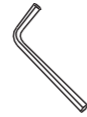
3



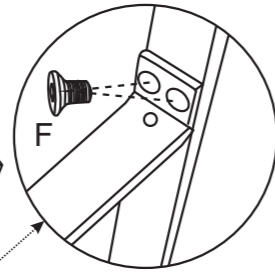
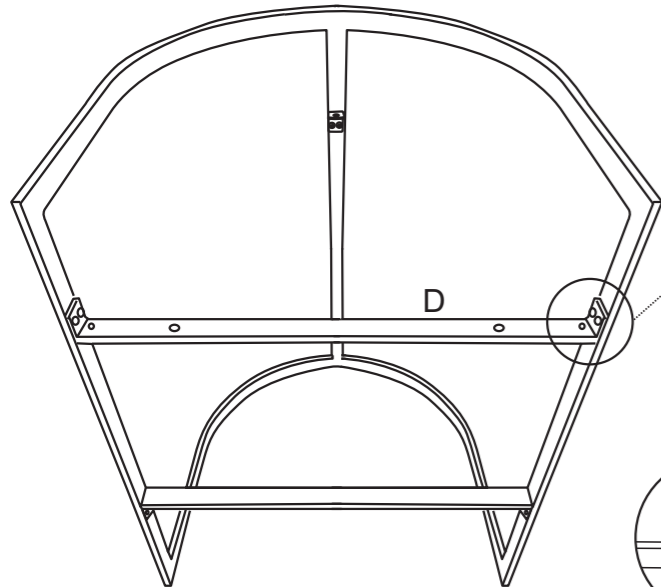
Dx1



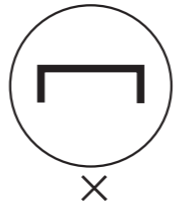
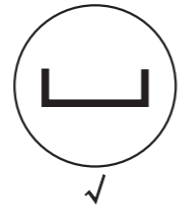
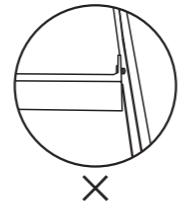
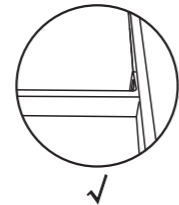
Fx4



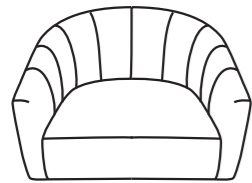
lx1



When installing D, it is important to note that there is a slope, the one with the largest slope should face outward.



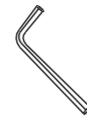
4



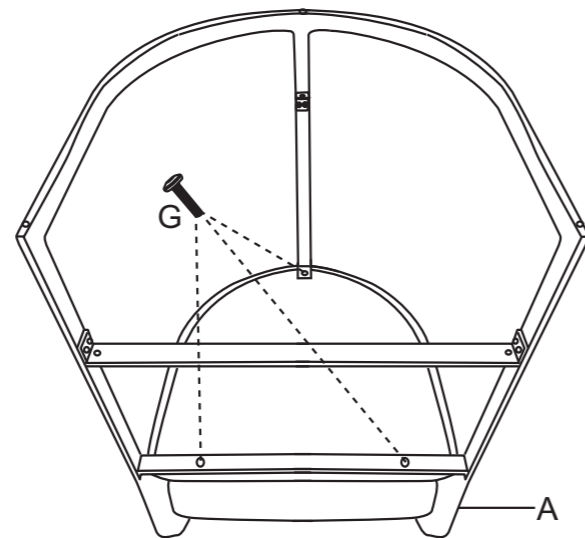
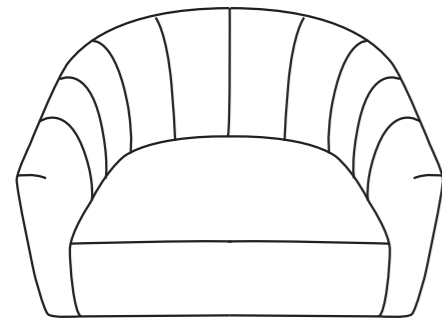
Ax1



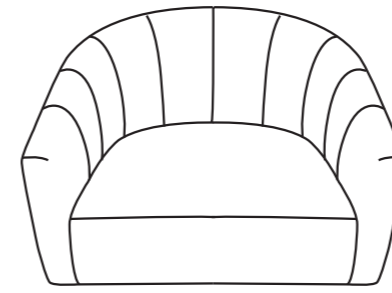
Gx3



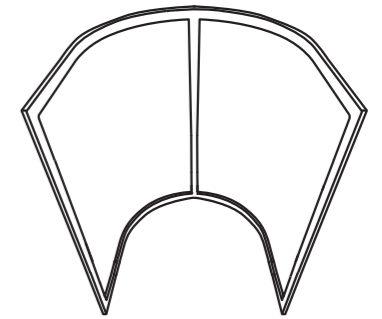
Hx1



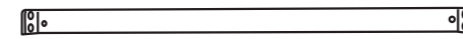
SPARE PARTS



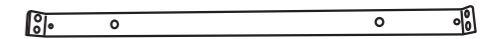
Ax1



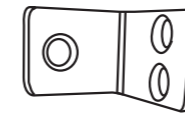
Bx1



Cx1



Dx1



Ex1



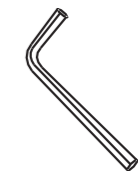
6x10mm

Fx10

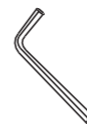


6x25mm

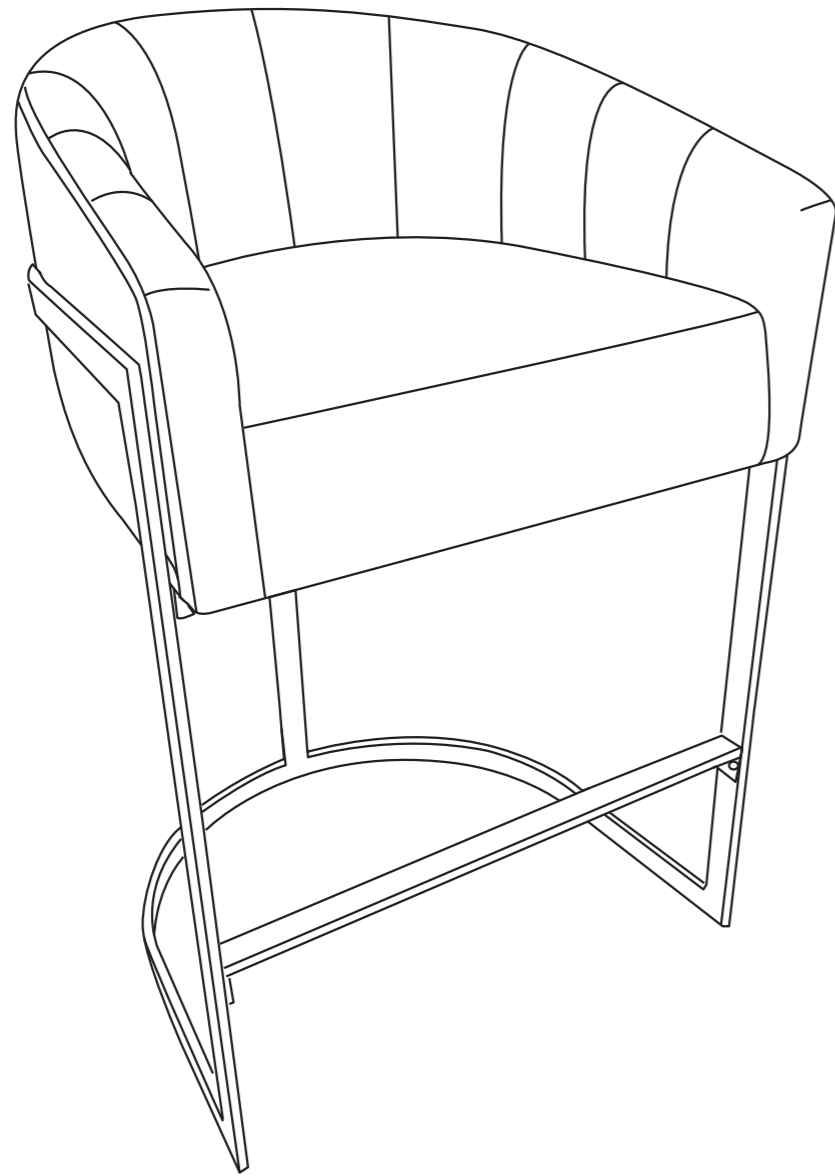
Gx3



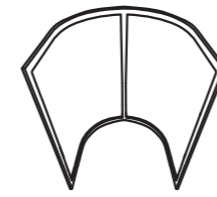
Hx1



lx1



1



Bx1



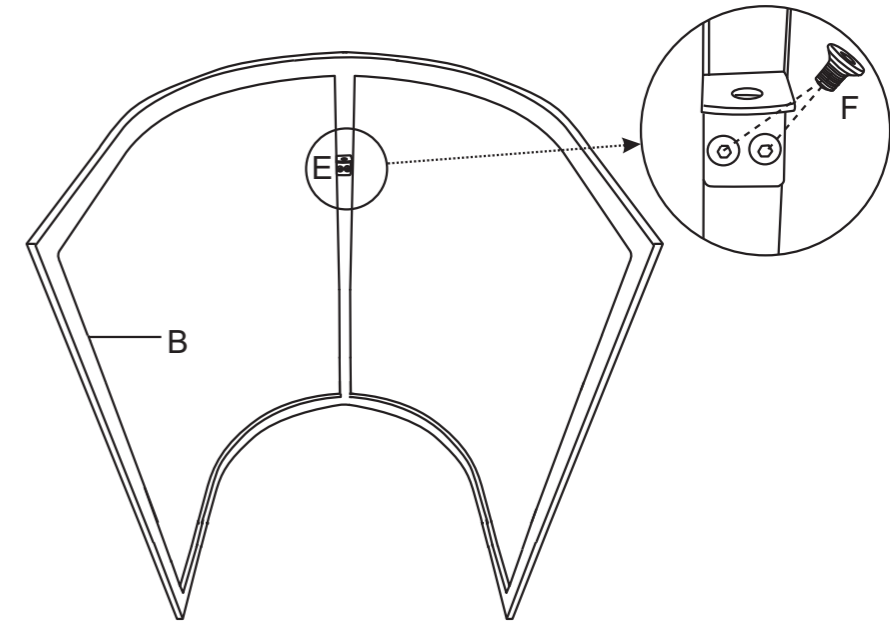
Ex1



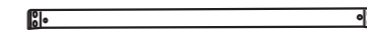
Fx2



lx1



2



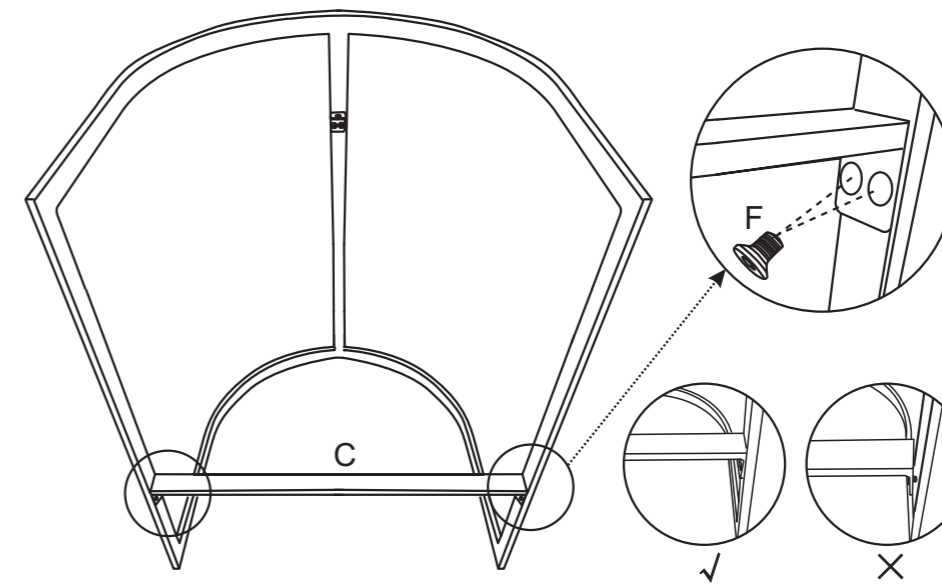
Cx1



Fx4



lx1



1. When installing C, it is important to note that there is a slope, the one with the largest slope should face outward.
 2. When installing the screws on the other side, have one person pull the frame together.

