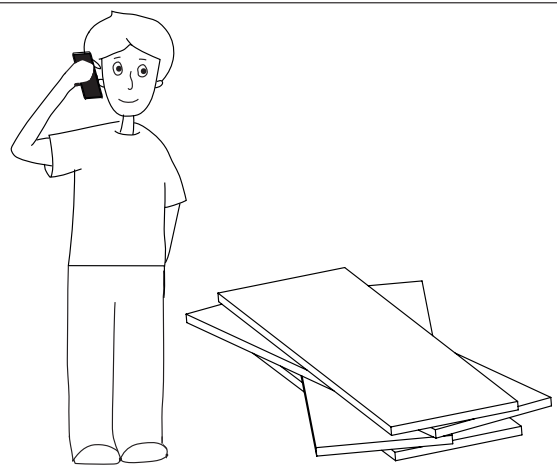
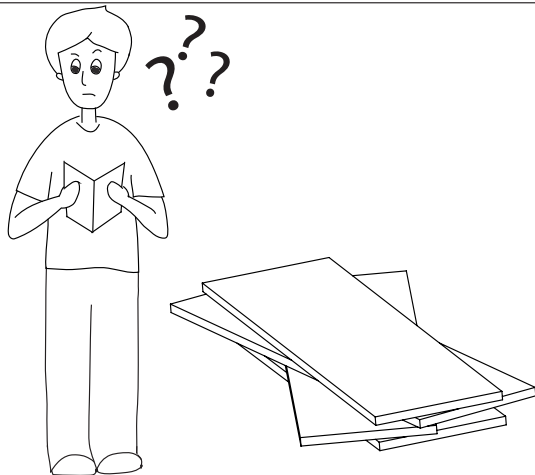
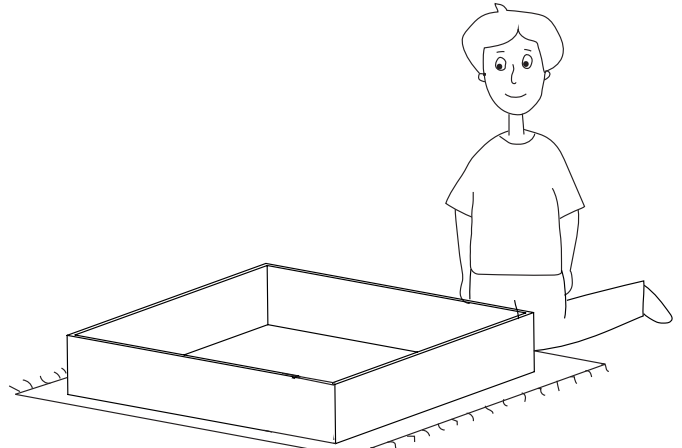
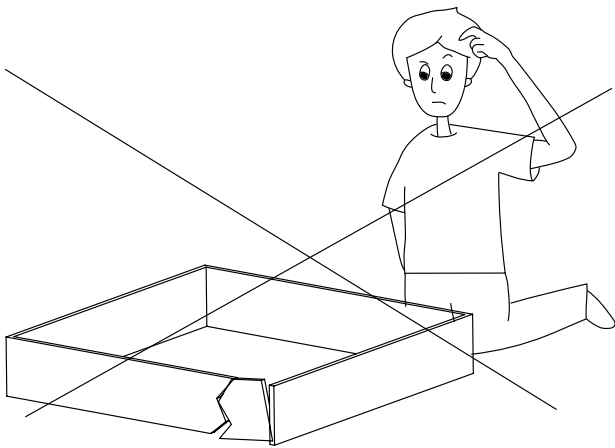
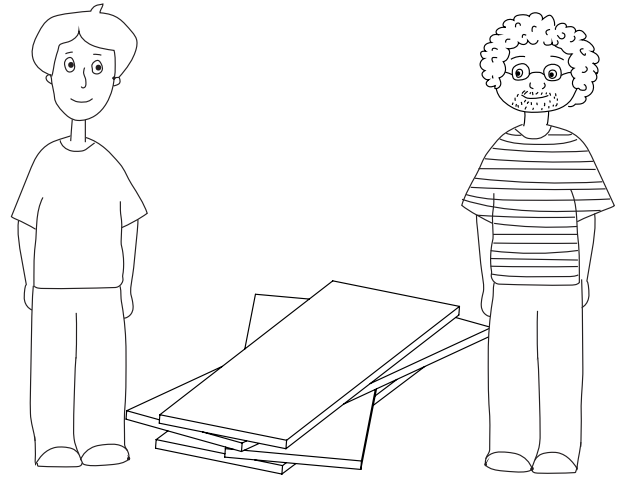
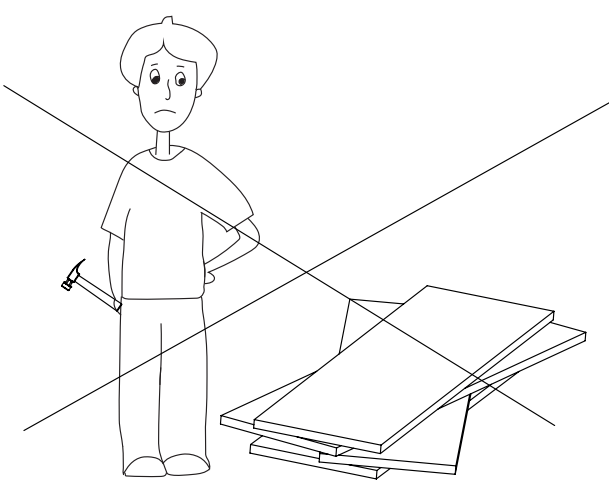
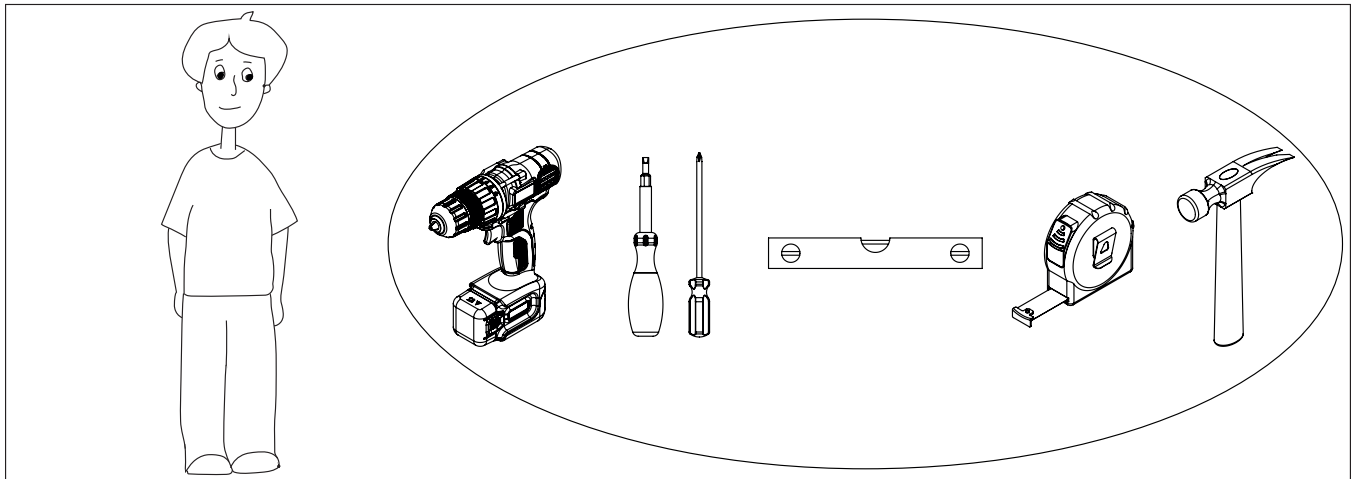


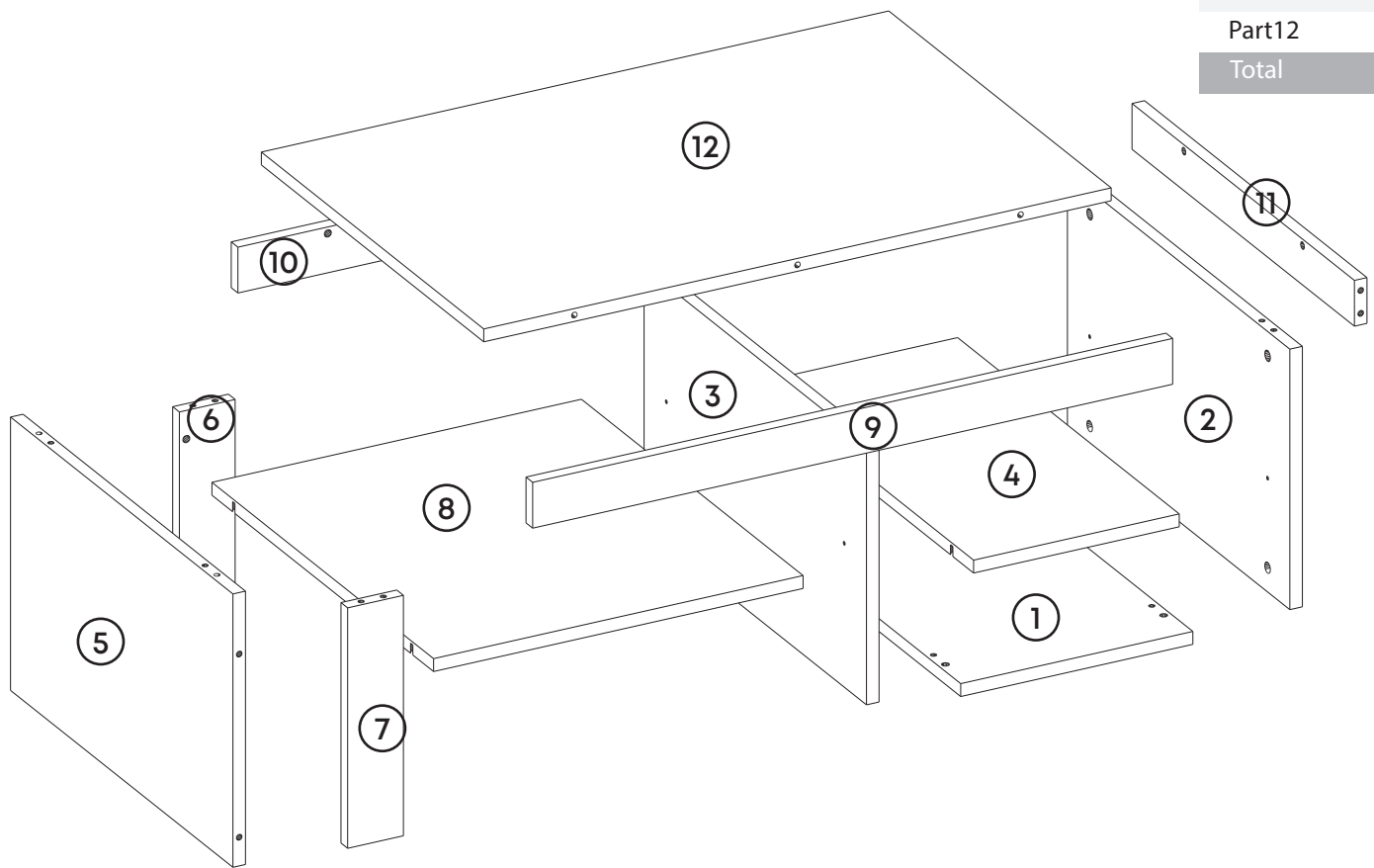
Assembly guide

# Prepare To Start

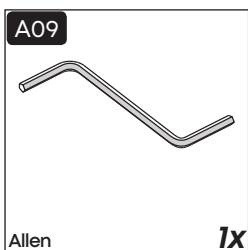
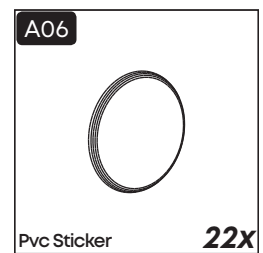
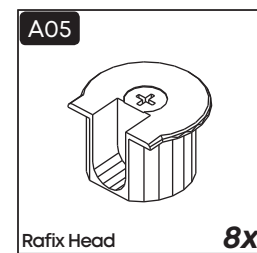
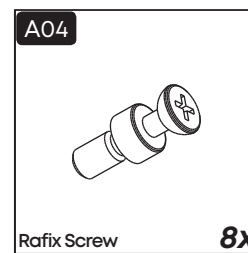
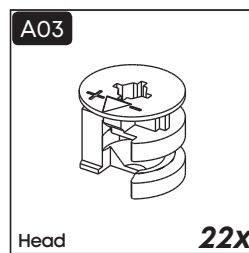
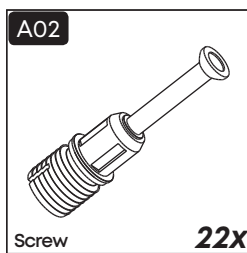
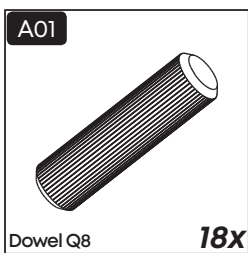


# Components

Part1	1x
Part2	1x
Part3	1x
Part4	1x
Part5	1x
Part6	1x
Part7	1x
Part8	1x
Part9	1x
Part10	1x
Part11	1x
Part12	1x
<b>Total</b>	<b>12x</b>

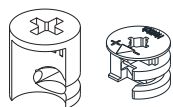


# Accessory Parts

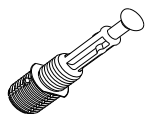


# How to instal Components

\*Before starting, please check the below figures



HEAD

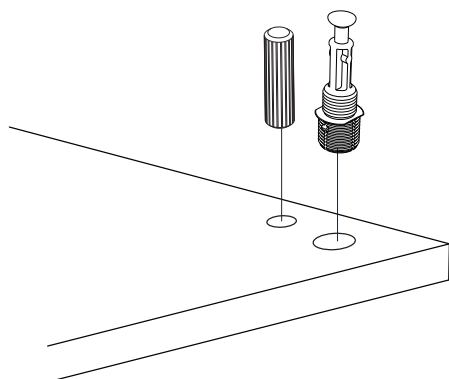


SCREW

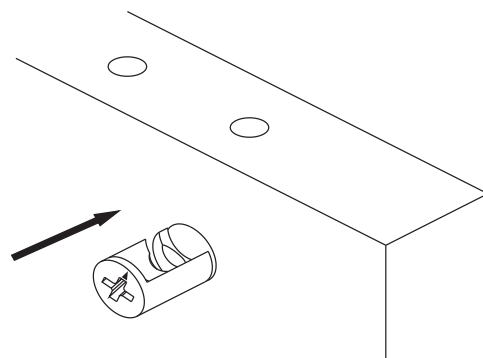


DOWEL

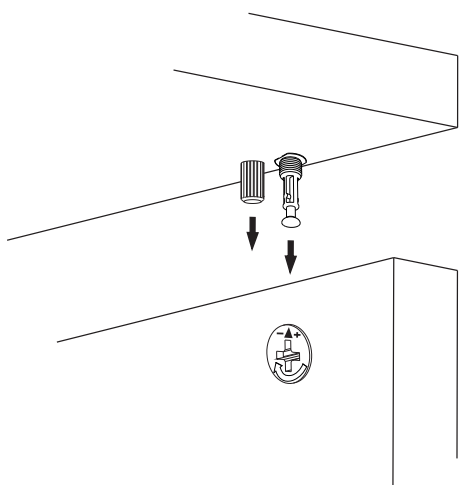
If the dowel is not required during the installation phase, it is not included in the package.



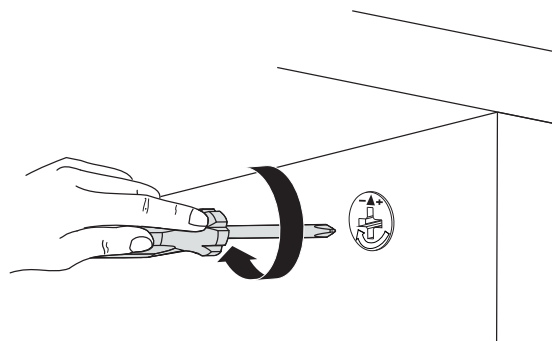
\*Please notice that there is an small arrow on A03 (head). This arrow should show the direction of upper hole.



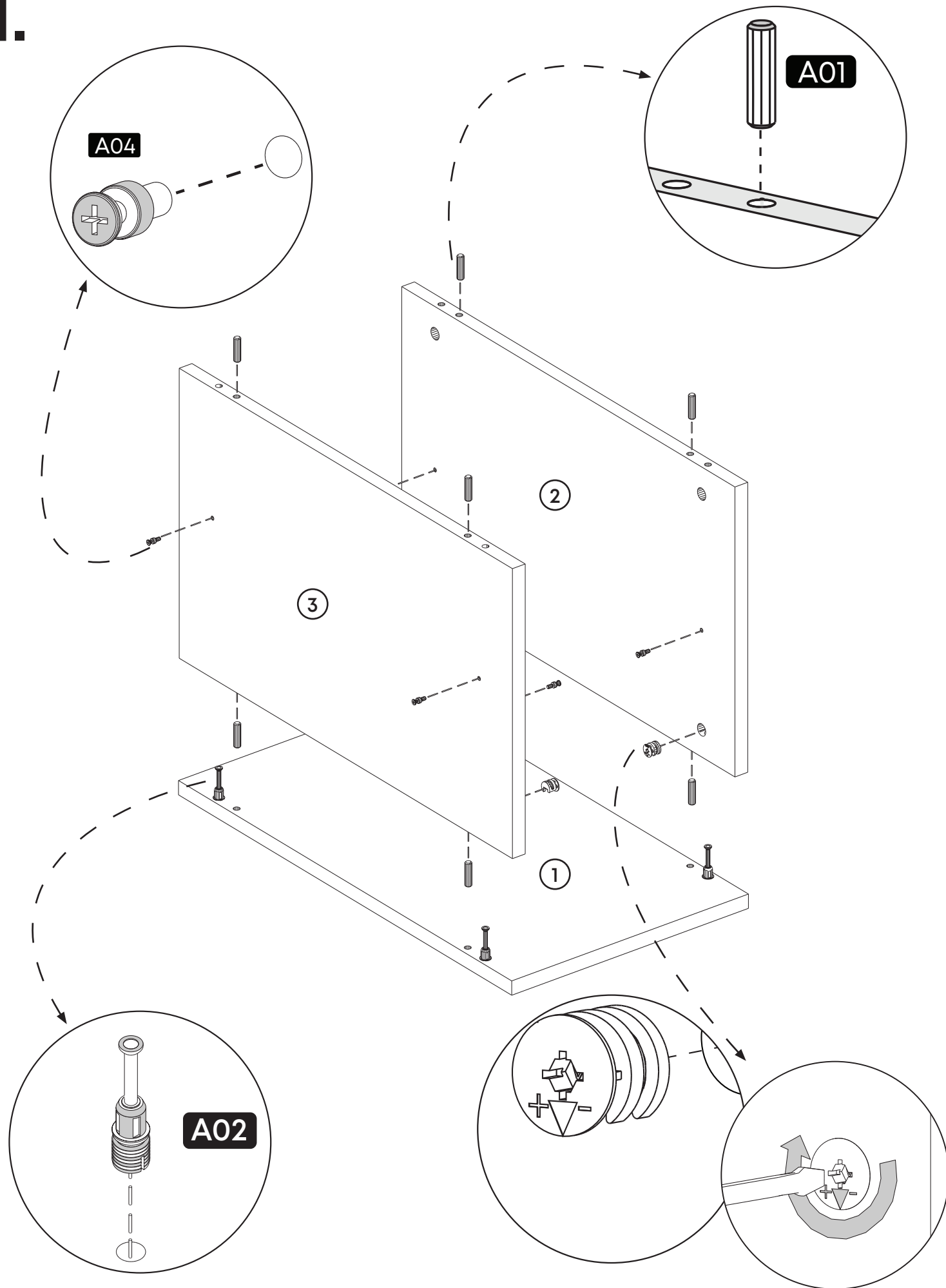
\*After attaching two pieces please turn the A03 (head) clockwise direction with the help of a screwdriver.



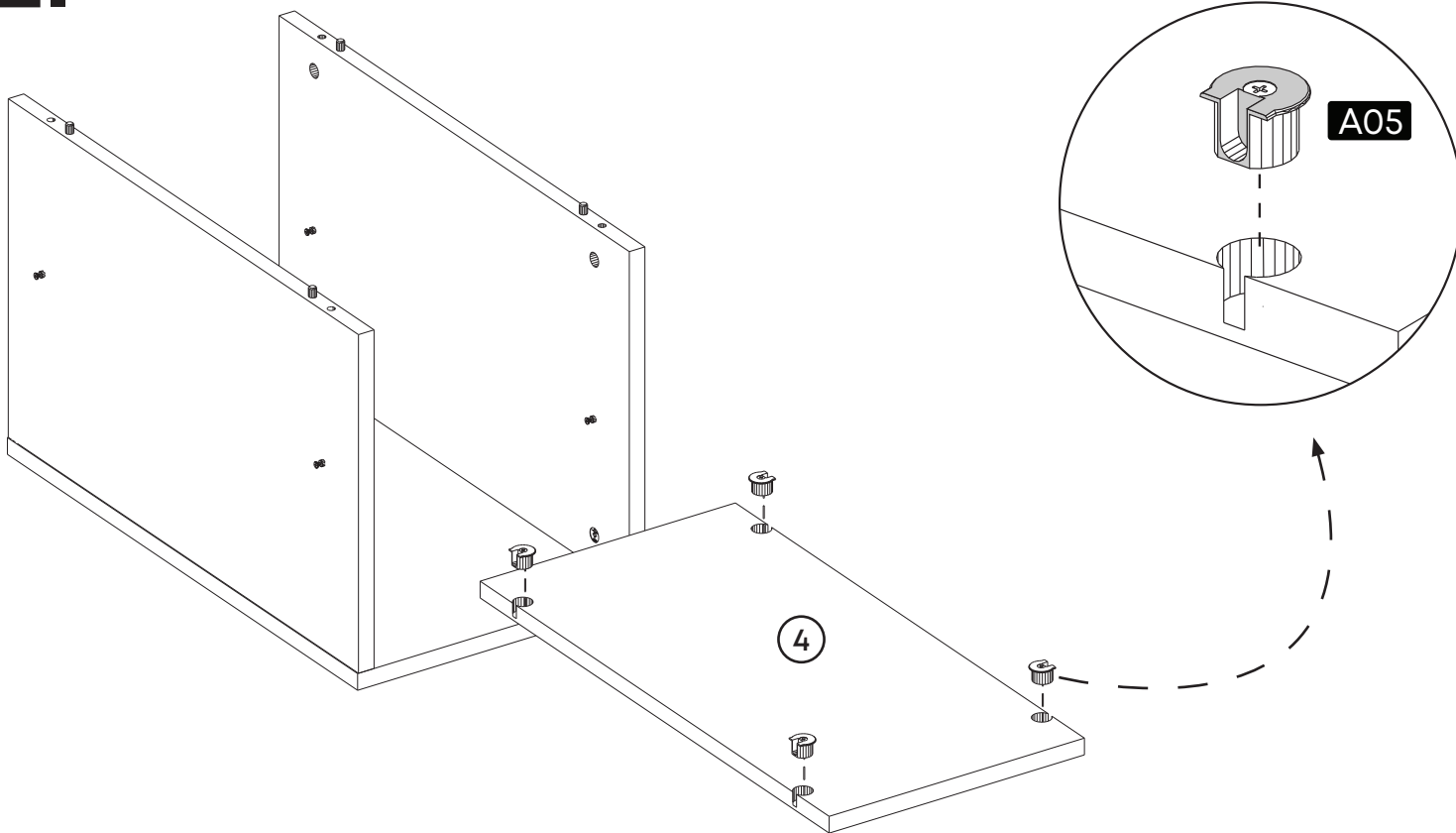
\*Please do not over screw the head since it may be broken if too much power is imposed. Just make sure that it is screwed to the direction “+” do not go any further.



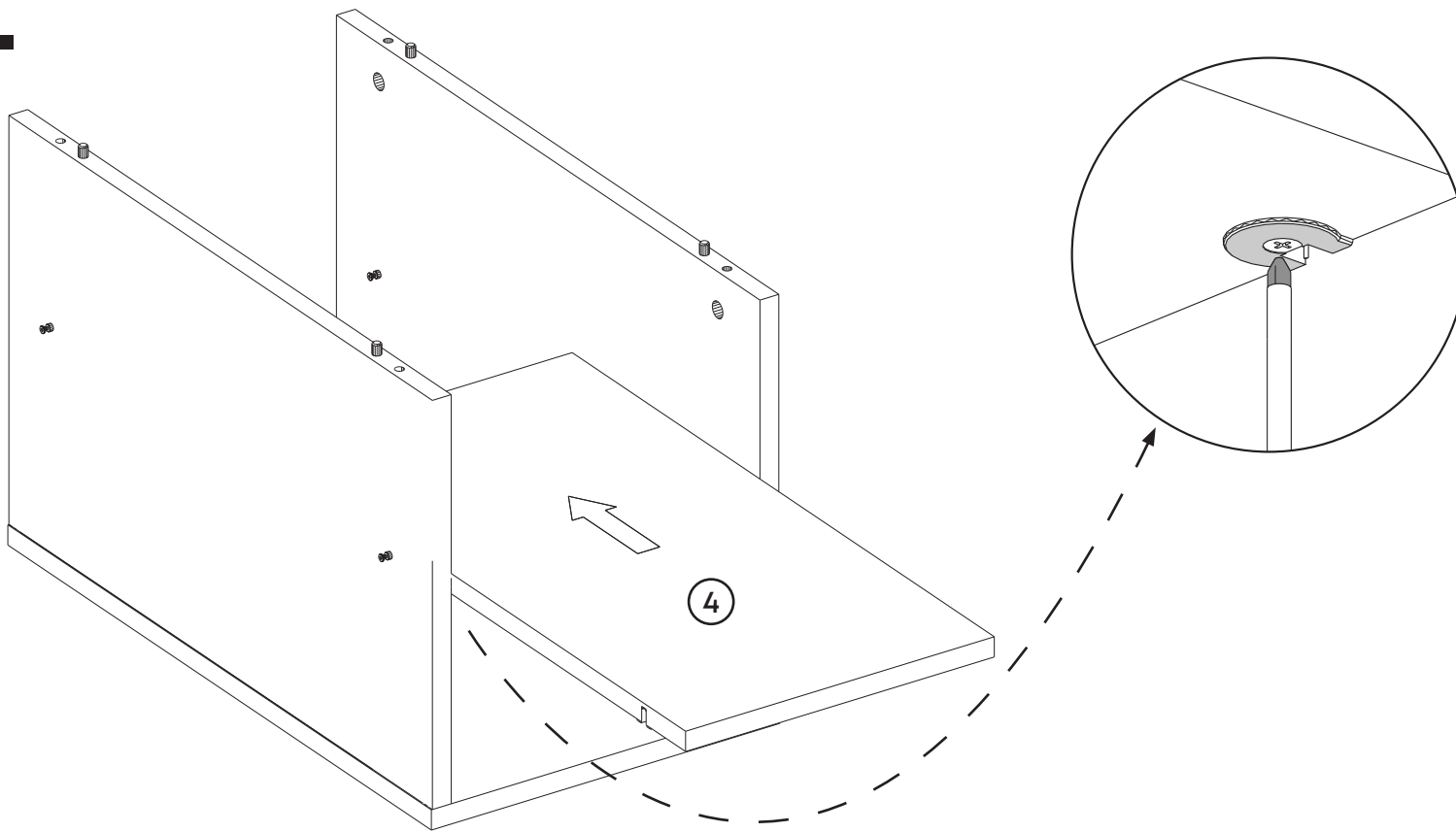
1.



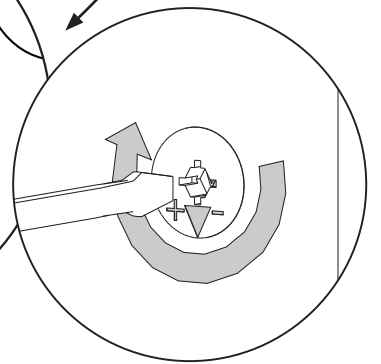
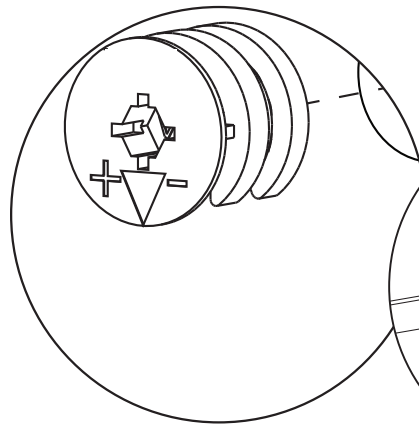
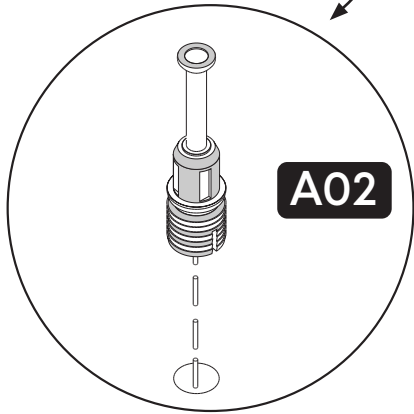
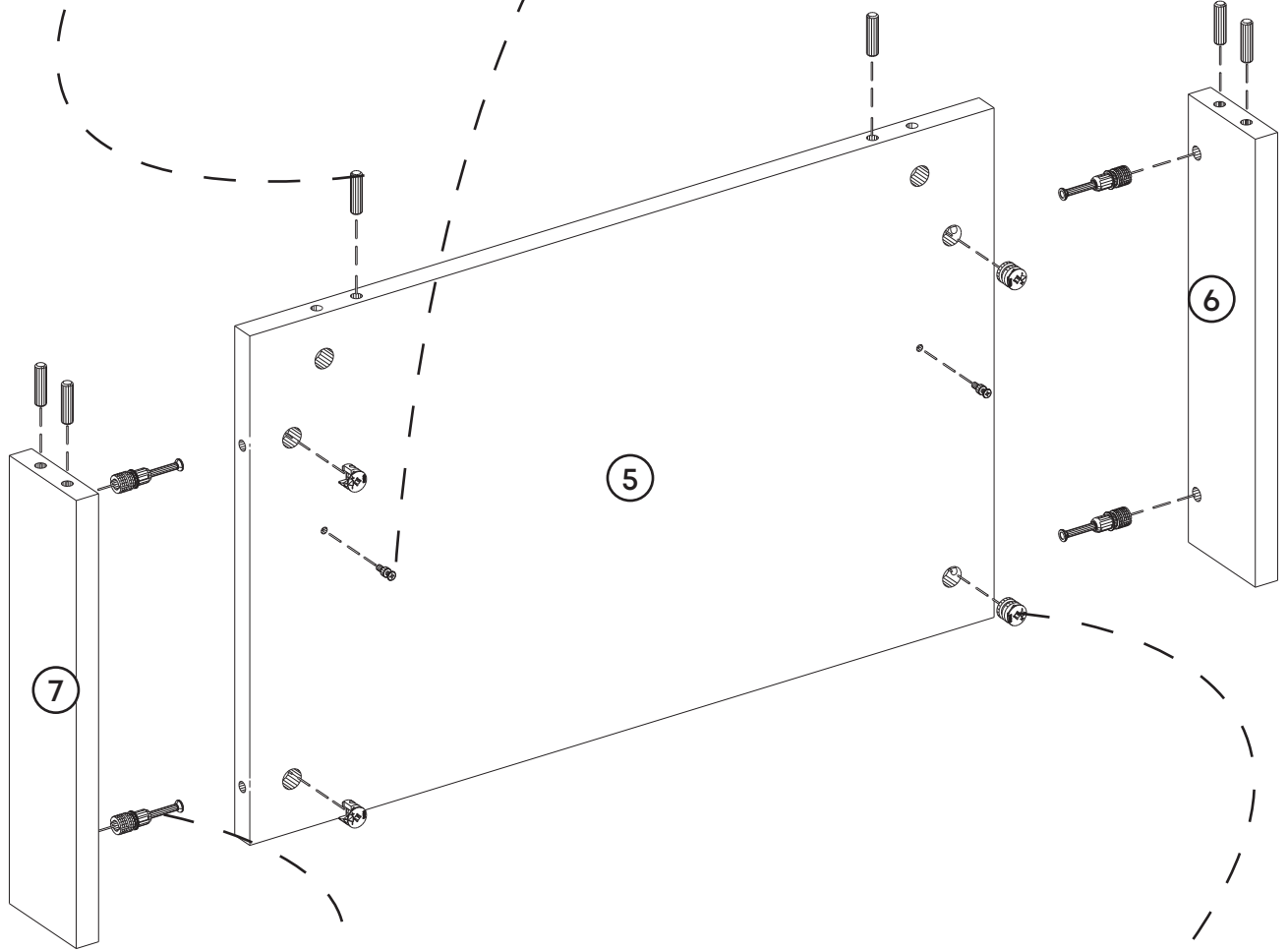
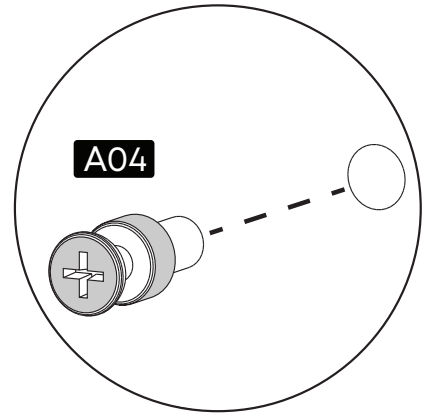
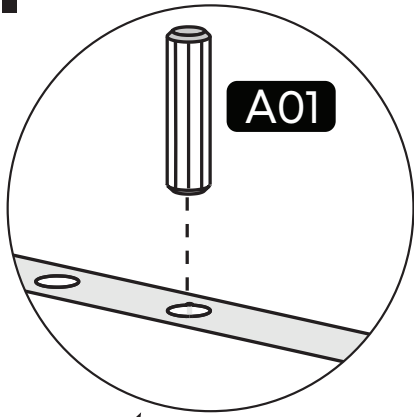
**2.**



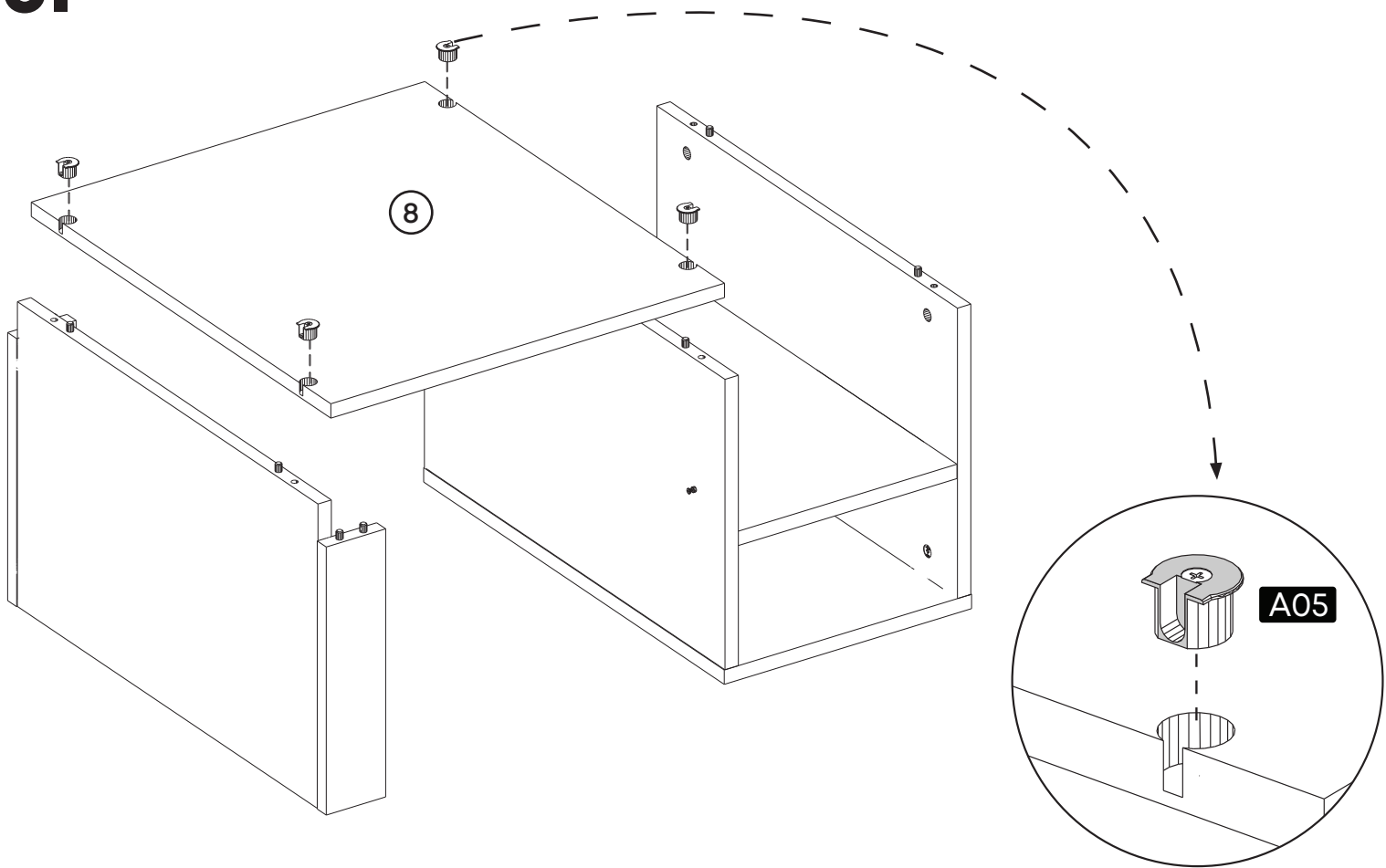
**3.**



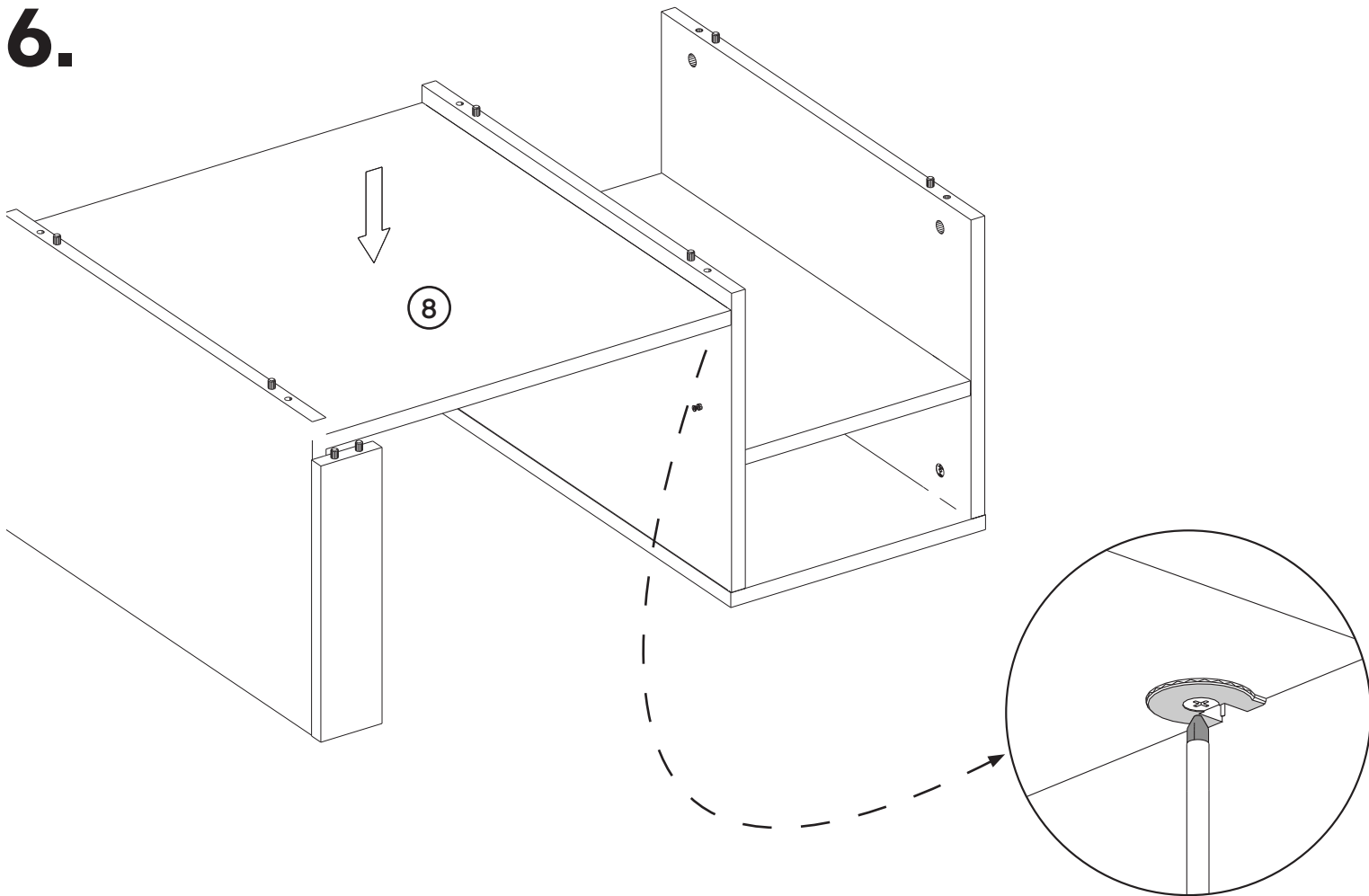
4.



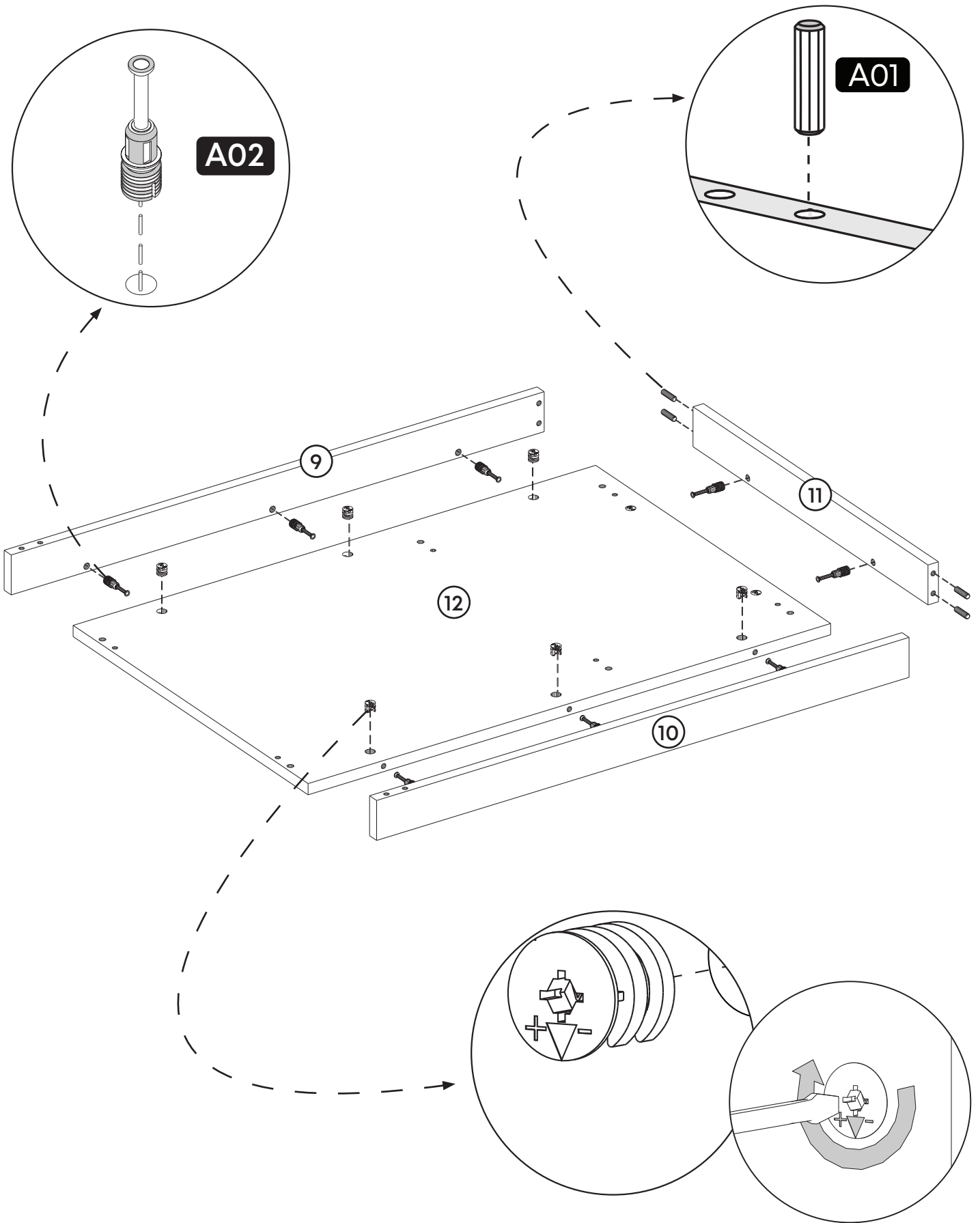
5.



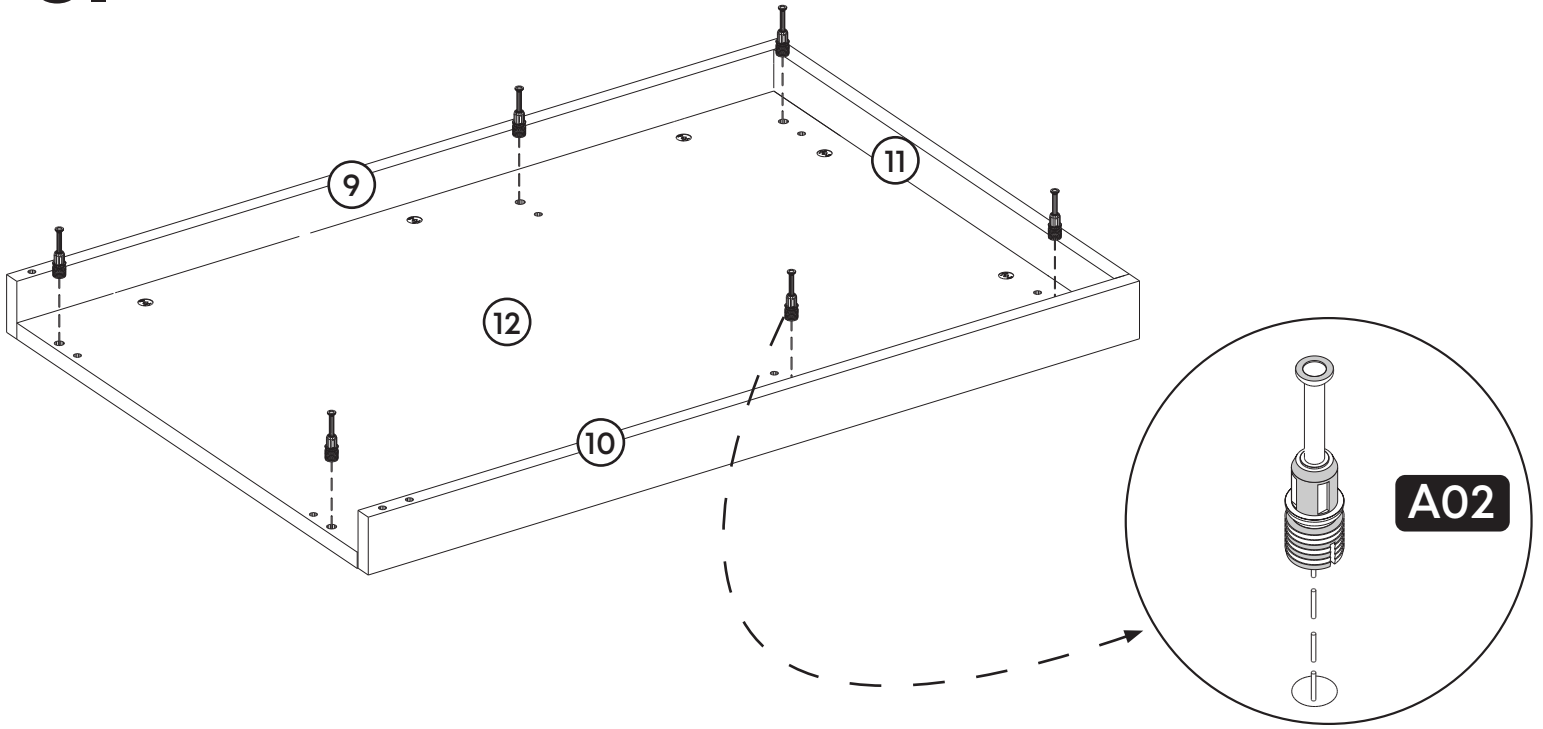
6.



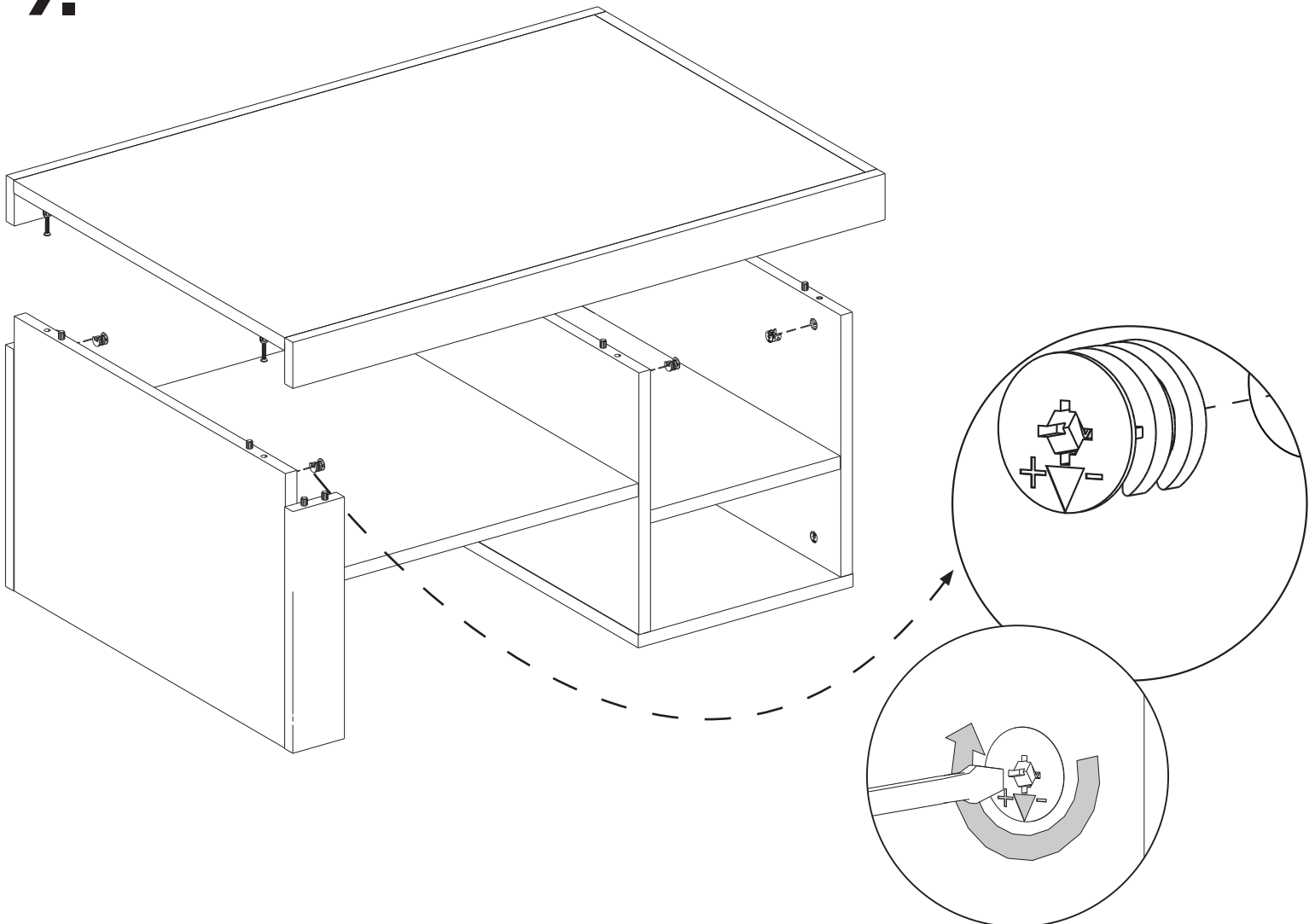
# 7.



8.



9.



10.

