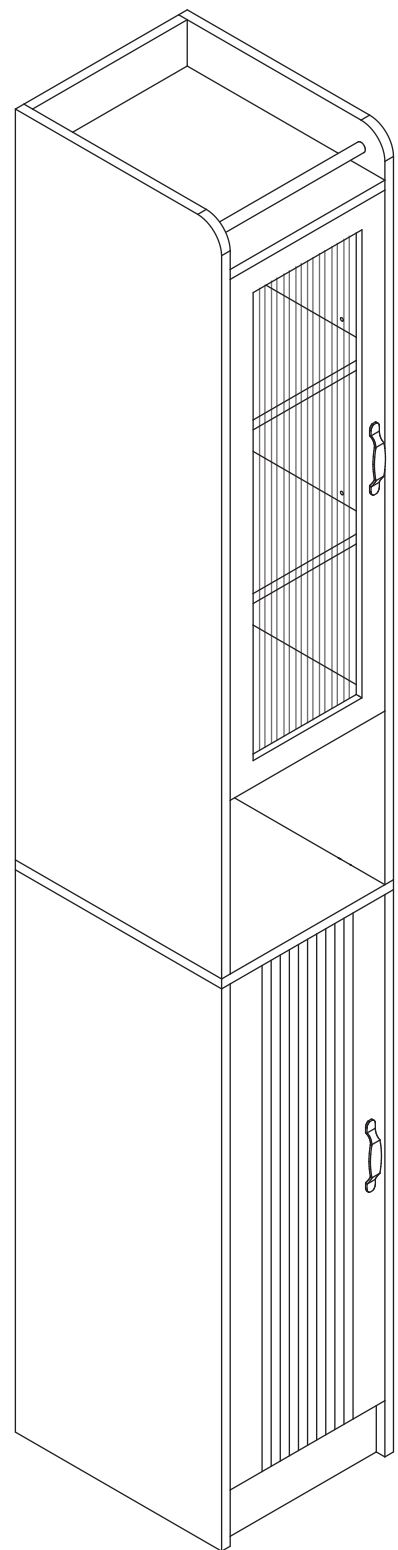


# **ASSEMBLY INSTRUCTION**

**Linen Storage Shelf**





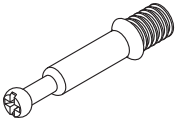
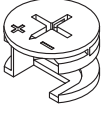
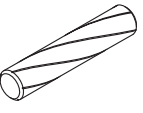

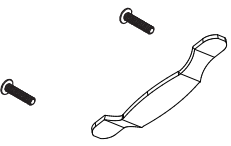
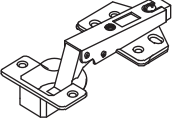
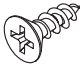

**Notice:**

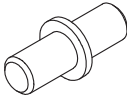
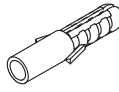
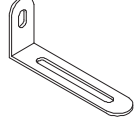
1. Follow the installation instruction. Please confirm all accessories are presented before installation.
2. Do not fully tighten the screws during initial assembly. Fully tighten screws only once all pieces which are correctly assembled.
3. If you encounter any problems during installation, please contact our customer service.

Item no.	Reference Image	Qty.
①		x1
②		x1
③		x1
④		x1
⑤		x1
⑥		x1
⑦		x1
⑧		x1

Item no.	Reference Image	Qty.
⑨		x2
⑩		x1
⑪		x1
⑫		x1
⑬		x1
⑭		x1
⑮		x3



Item no.	Reference Image	Qty.
<b>A</b>		× 20+2 (Spare)
<b>B</b>		× 20+2 (Spare)
<b>C</b>		× 28+2 (Spare)
<b>D</b>	 (Shorter)	× 4
<b>E</b>		× 2
<b>F</b>		× 4
<b>G</b>		× 24+2 (Spare)
<b>I</b>		× 1

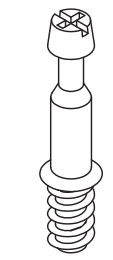
Item no.	Reference Image	Qty.
<b>J</b>		× 12+1 (Spare)
<b>K</b>		× 1
<b>L</b>	 (Longer)	× 1
<b>M</b>		× 1



## Hardware Usage Guide

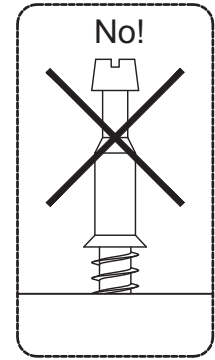
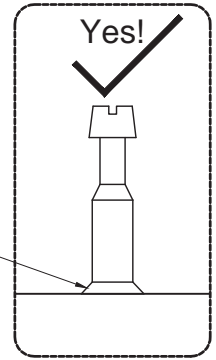
HOW TO USE A CAM LOCK & CAM BOLT OR CAM DOWEL?

1. NOTE: CAM BOLT or a CAM LOCK may be used.

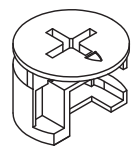


CAM BOLT

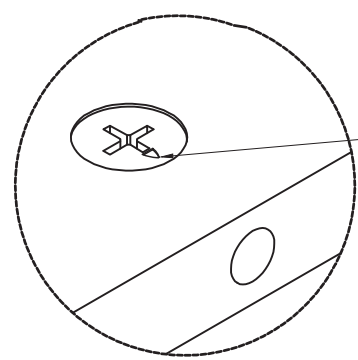
Turn the CAM BOLT until the shoulder is against the surface of the part.



2.

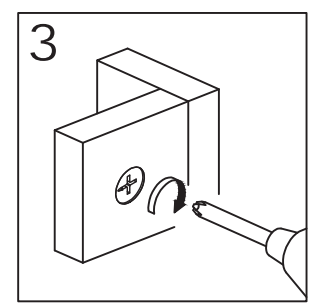
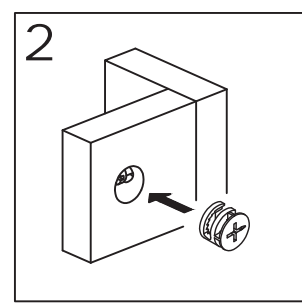
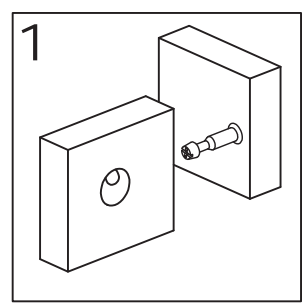


CAM LOCK

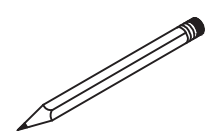


Push a CAM LOCK into the part. The arrow in the CAM LOCK must point toward the hole in the edge of the board.

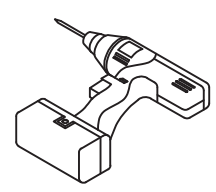
3. Insert the CAM BOLT into the CAM LOCK. Tighten the CAM LOCK.



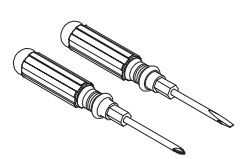
### TOOLS REQUIRED



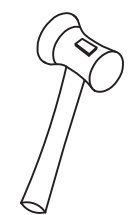
PENCIL



POWER DRILL



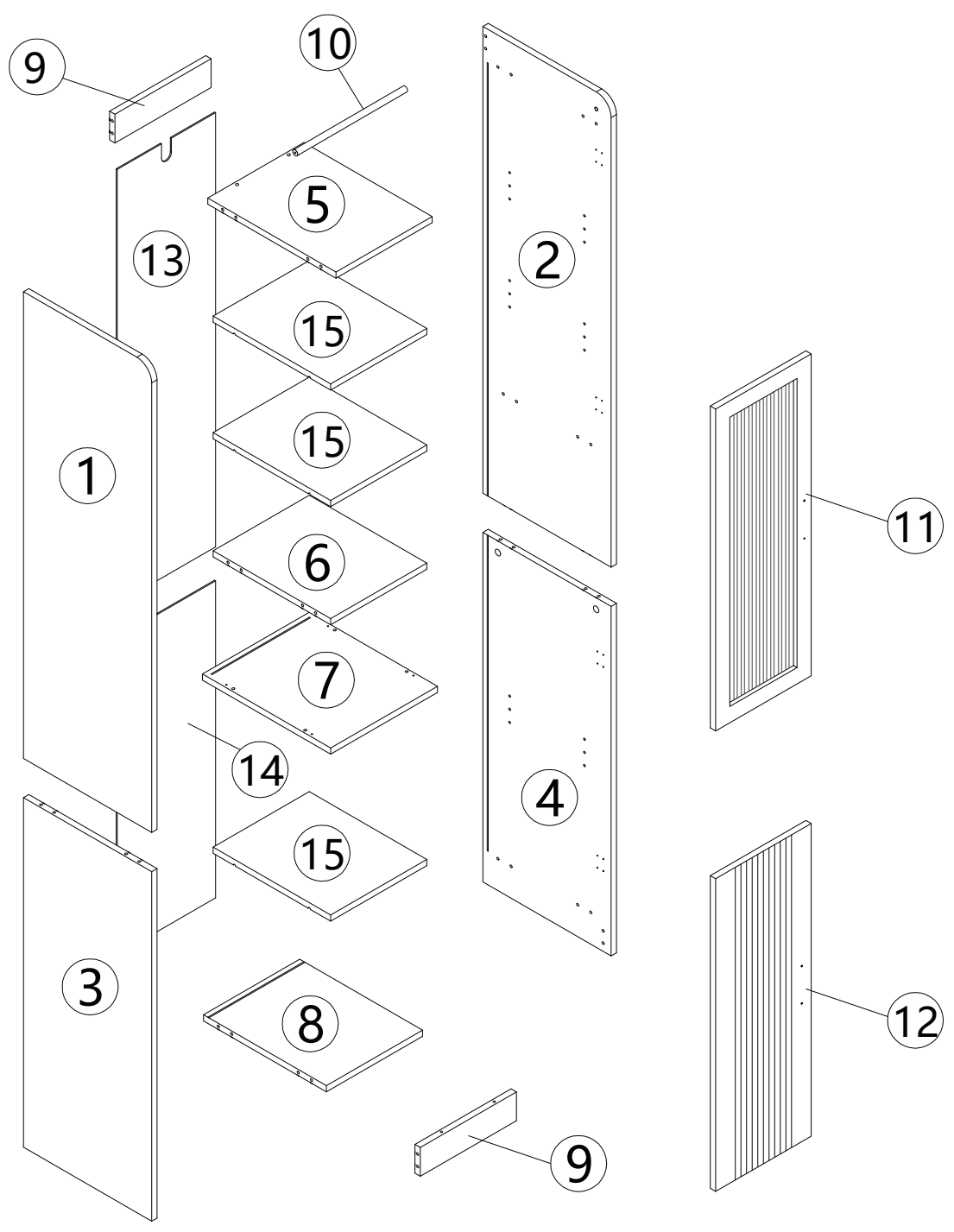
FLAT&PHILIPS SCREWDRIVER



HAMMER HEAD

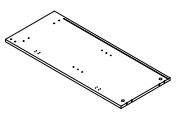


## Explosion Diagram

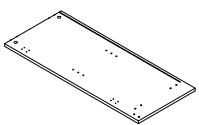




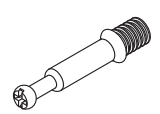
## 1



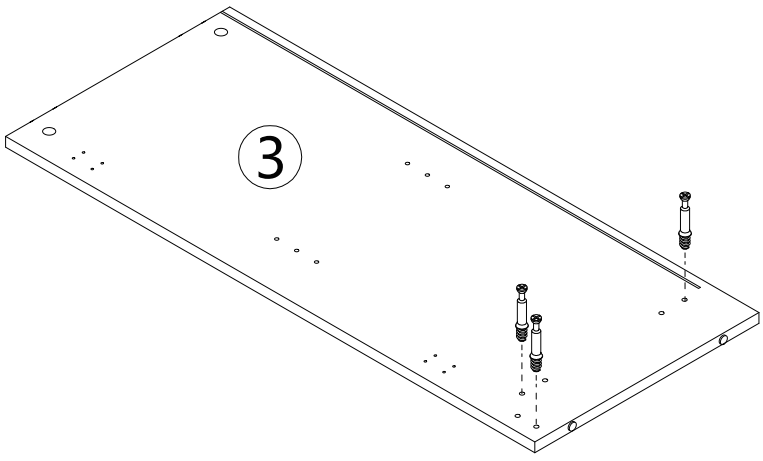
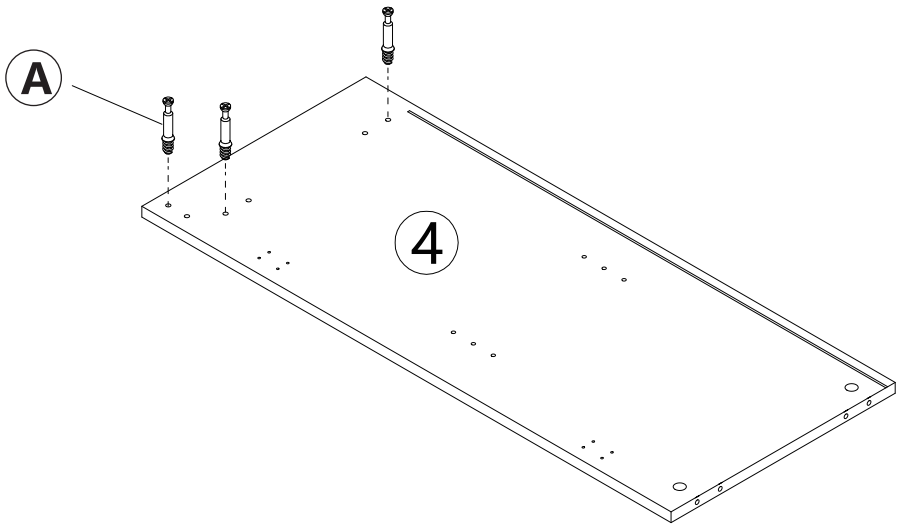
③ 1PC



④ 1PC

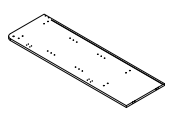


Ⓐ 6PCS

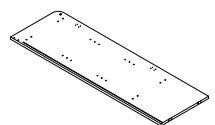




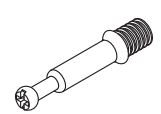
## 2



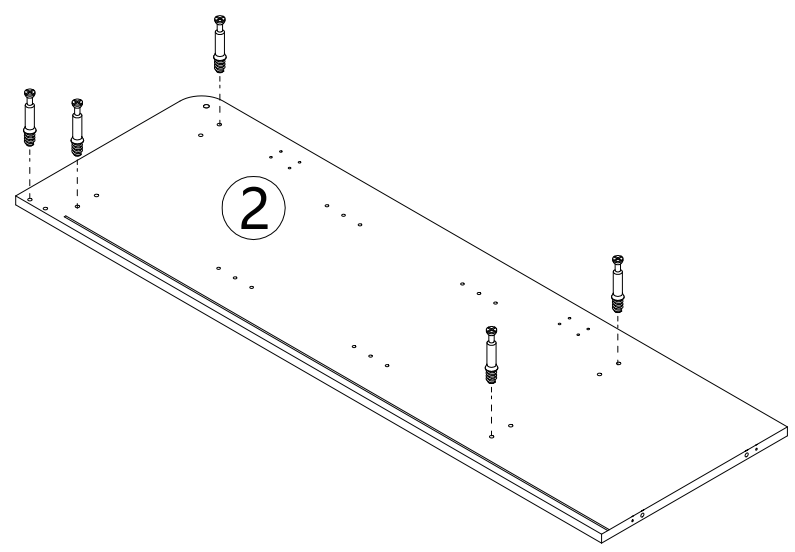
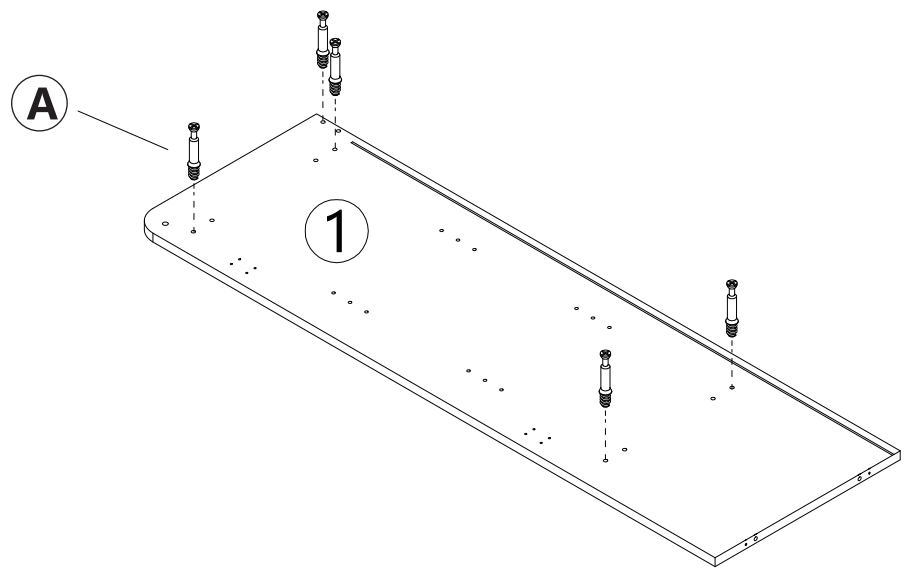
1



2



A 10PCS

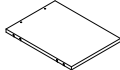




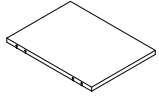
**3**



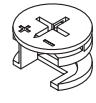
⑨ 1PC



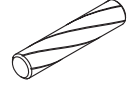
⑤ 1PC



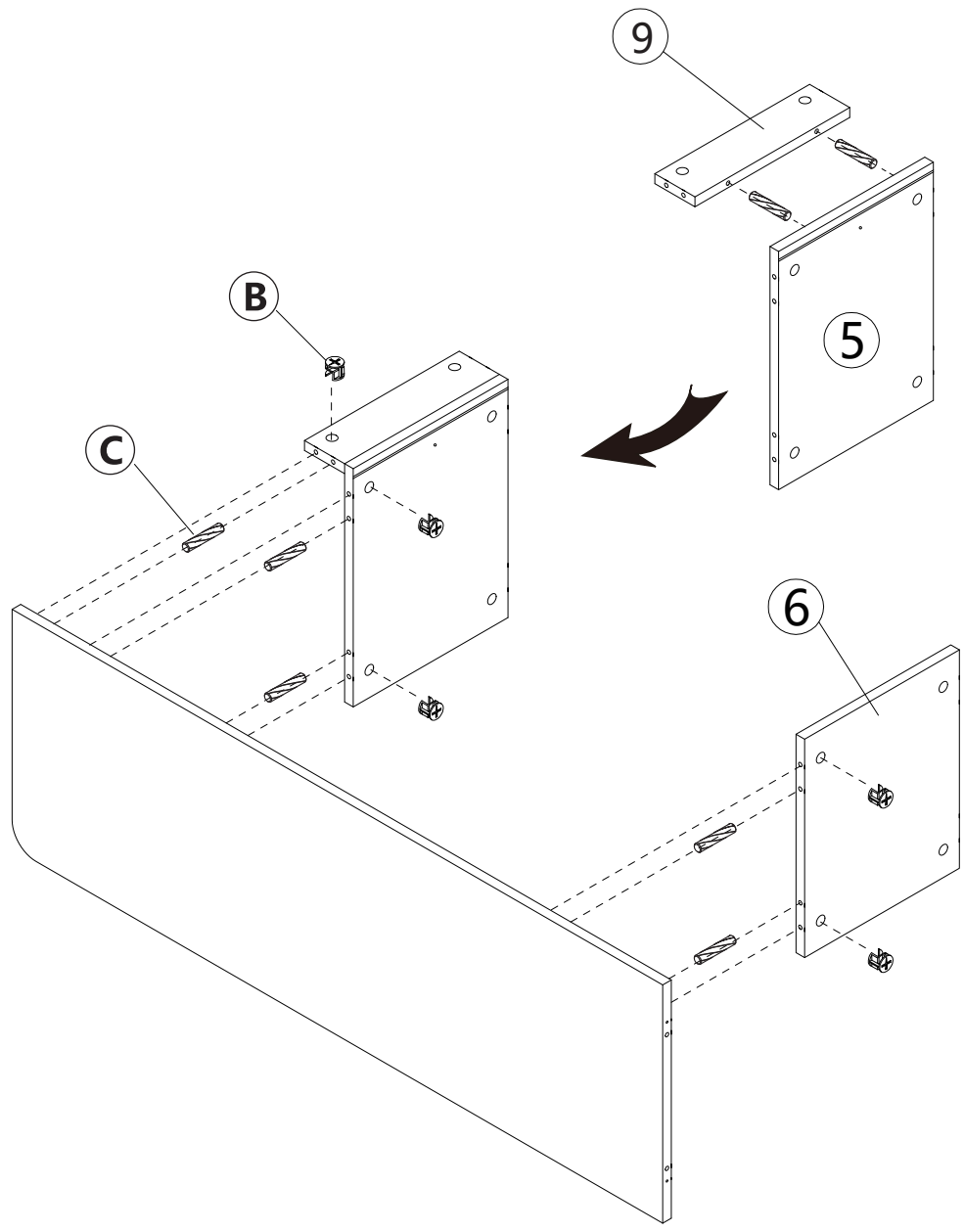
⑥ 1PC



Ⓑ 5PCS

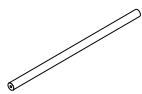


Ⓒ 7PCS





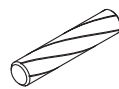
## 4



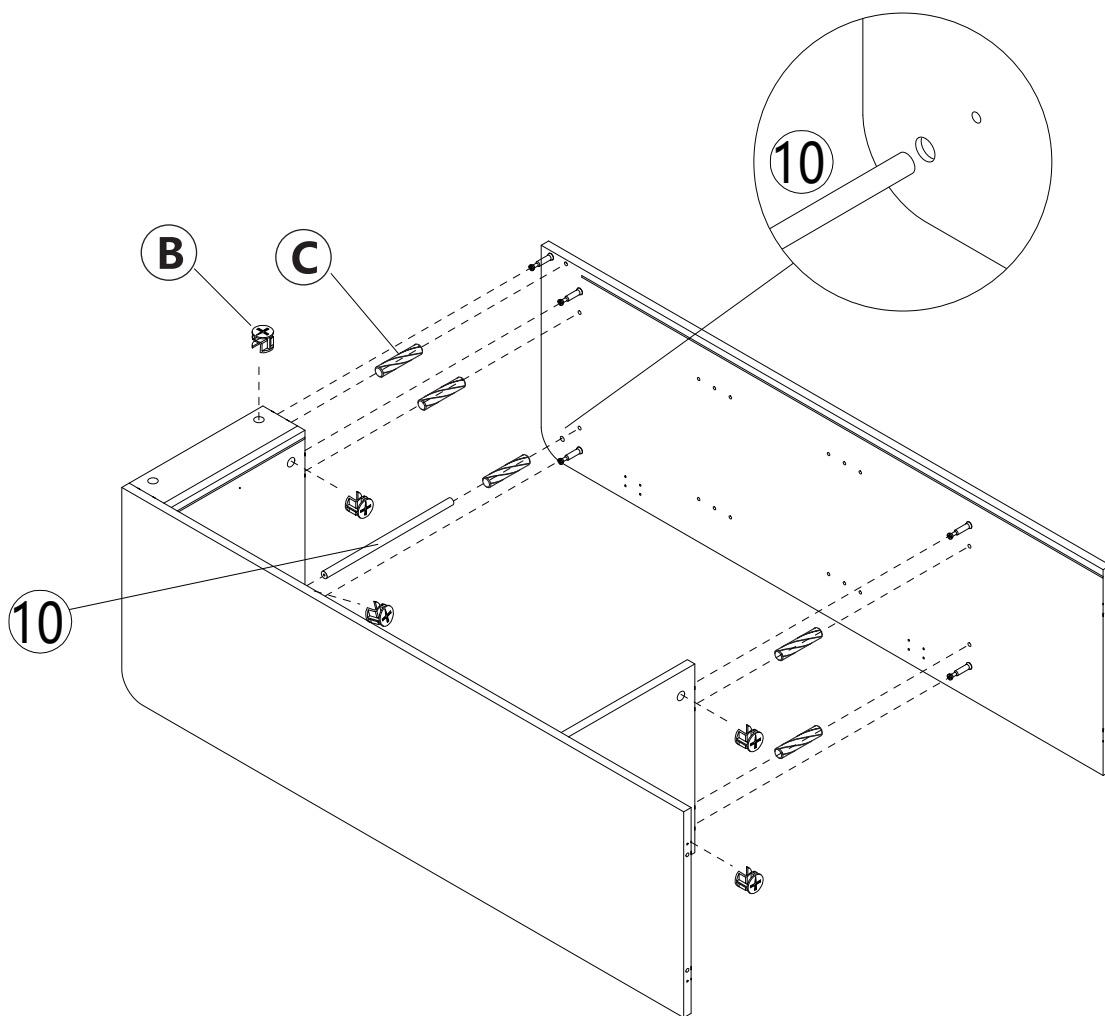
10 1PC



B 5PCS

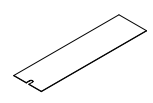


C 5PCS





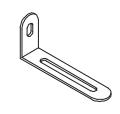
**5**



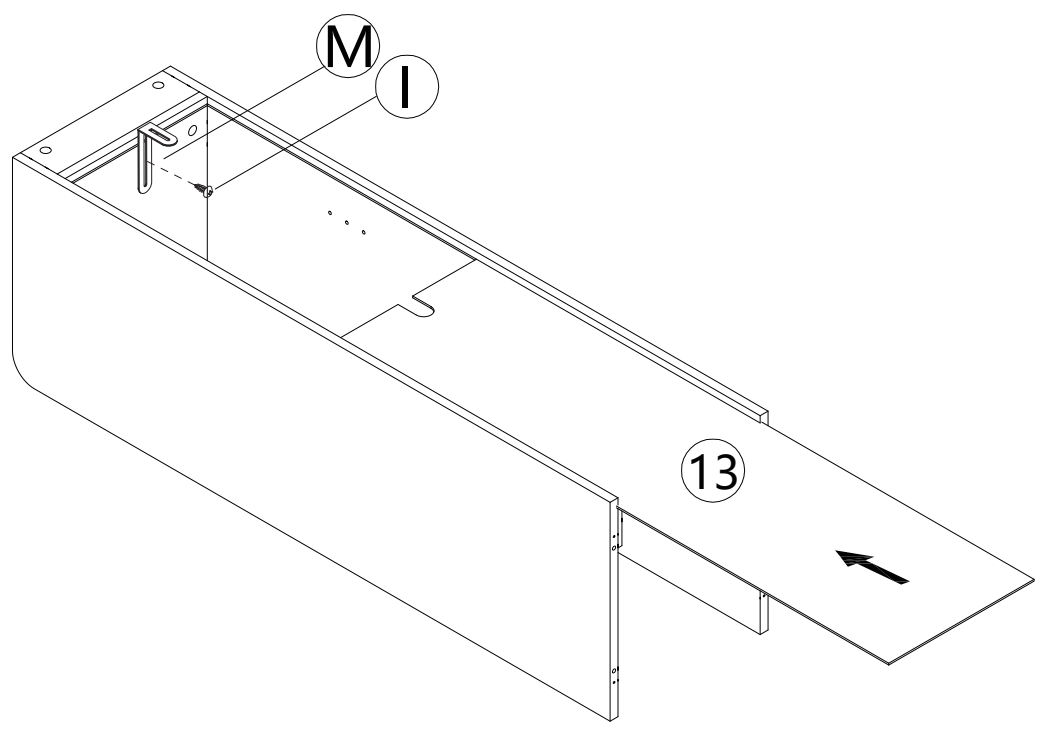
13 1PC



I 1PC

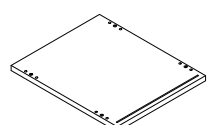


M 1PC

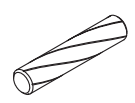




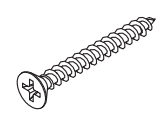
6



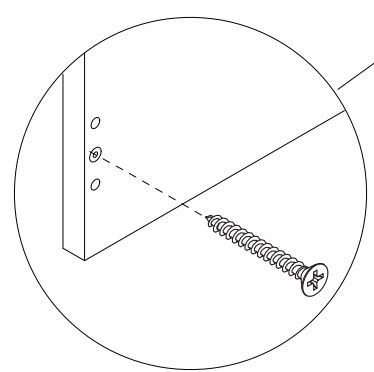
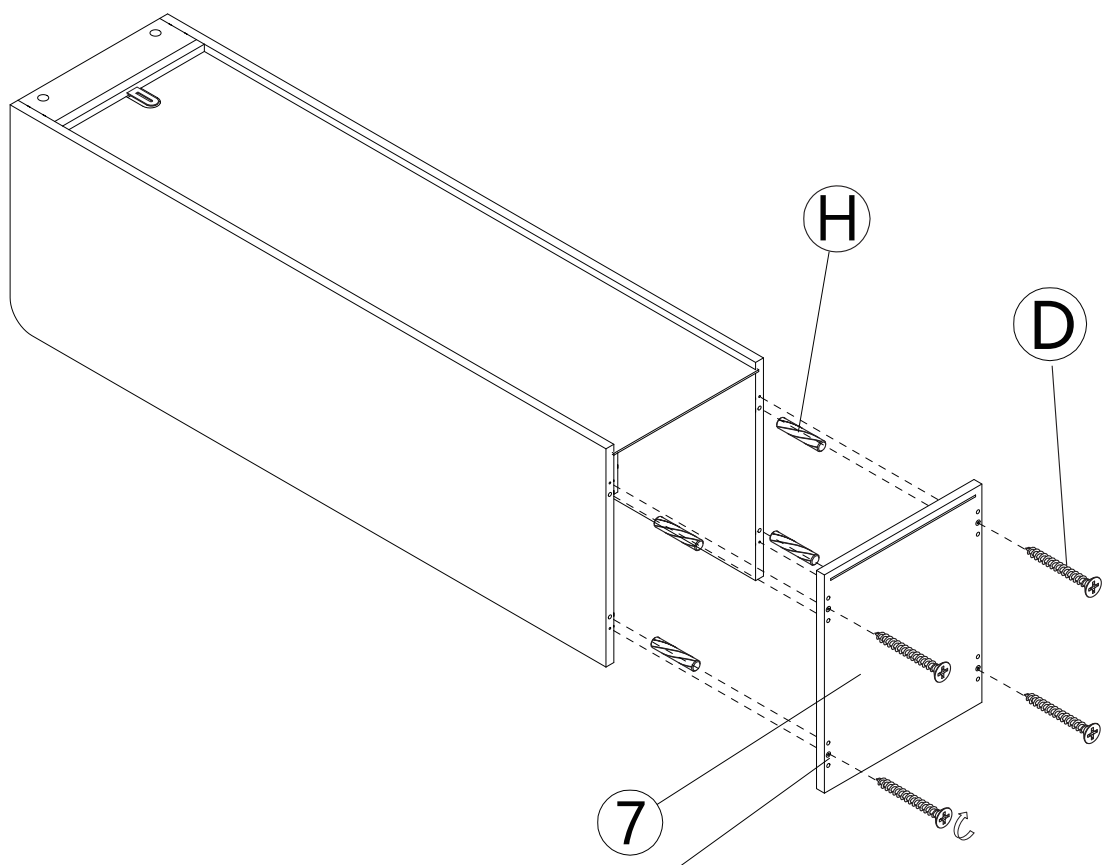
7 1PC



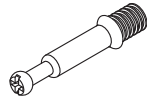
H 4PCS



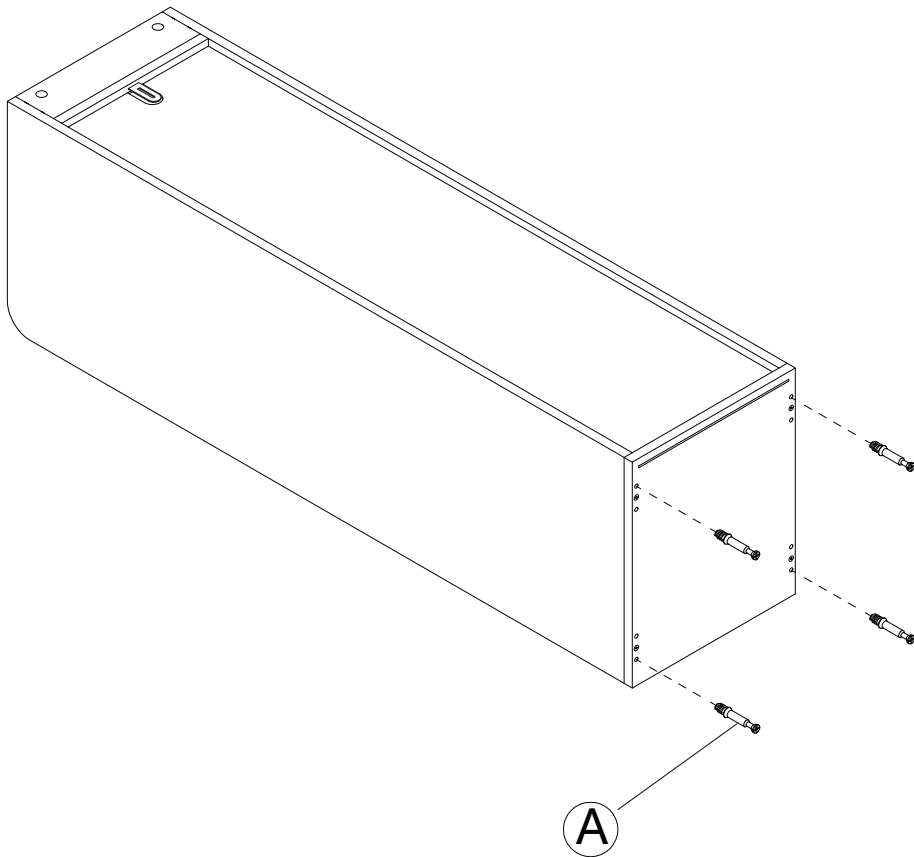
D 4PCS

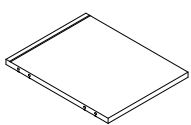
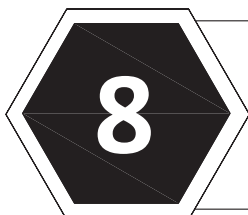


7

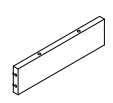


A 4PCS

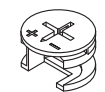




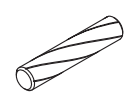
⑧ 1PC



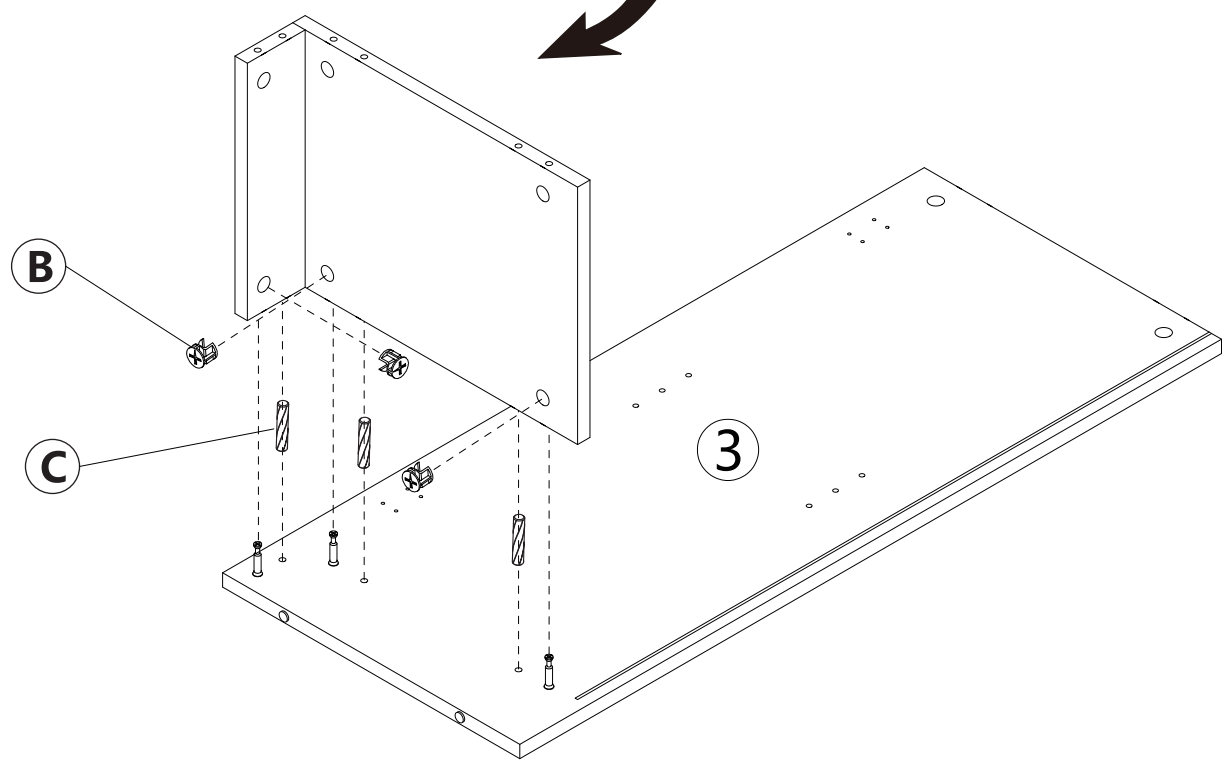
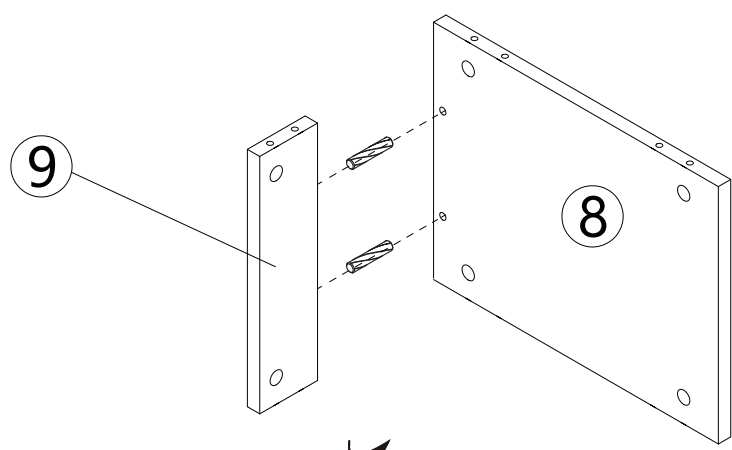
⑨ 1PC



Ⓑ 3PCS

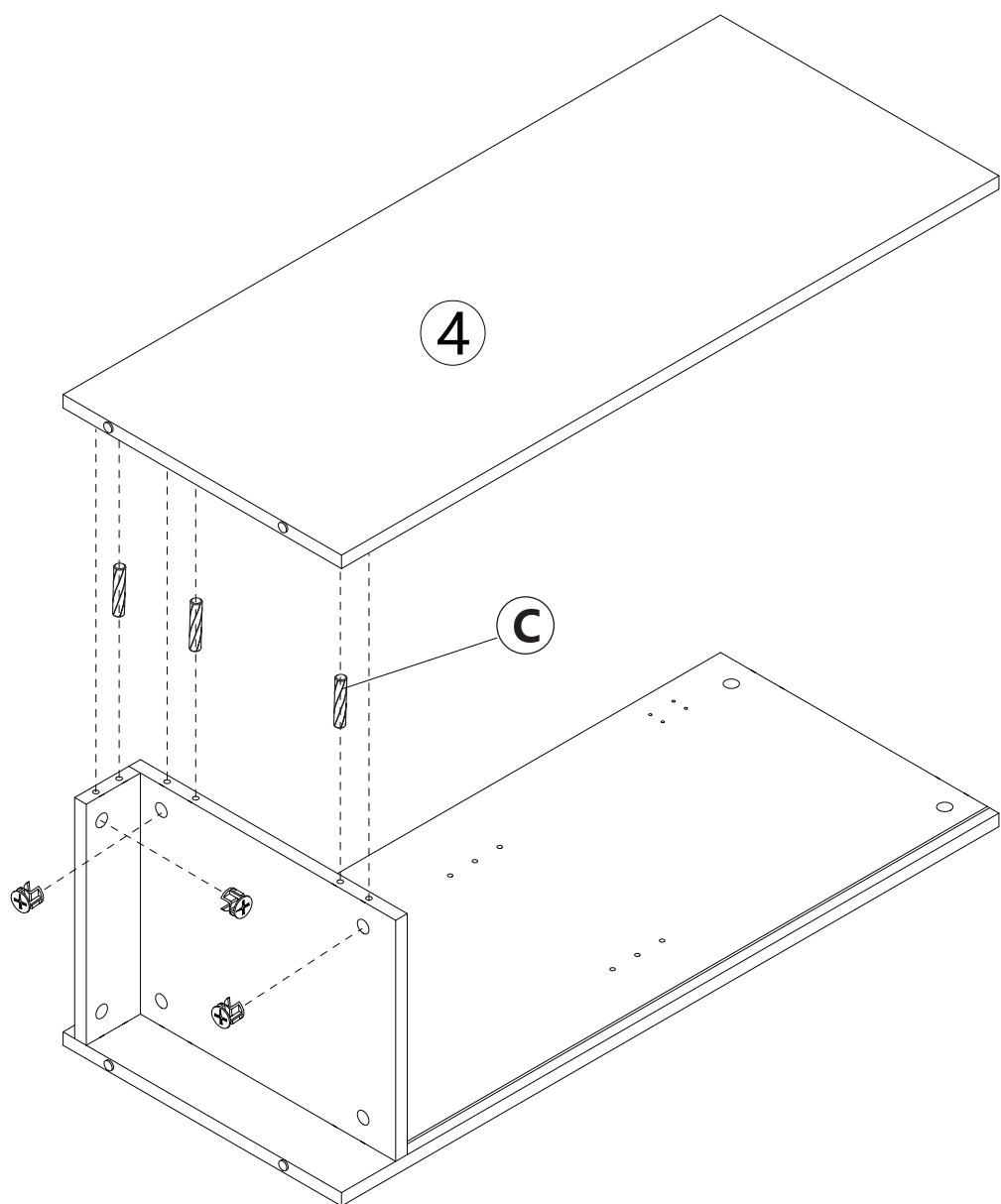
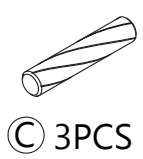


Ⓒ 5PCS

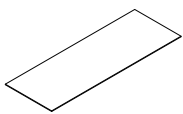




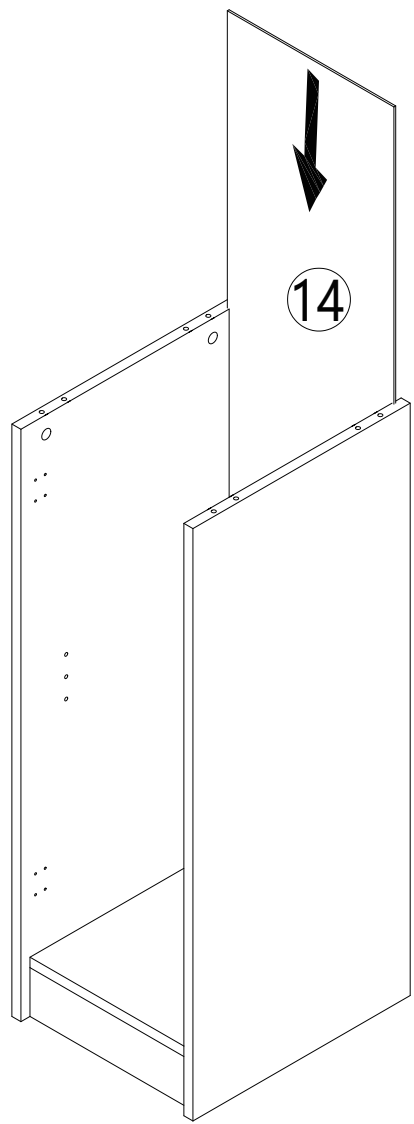
9



**10**



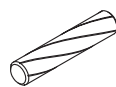
⑭ 1PC



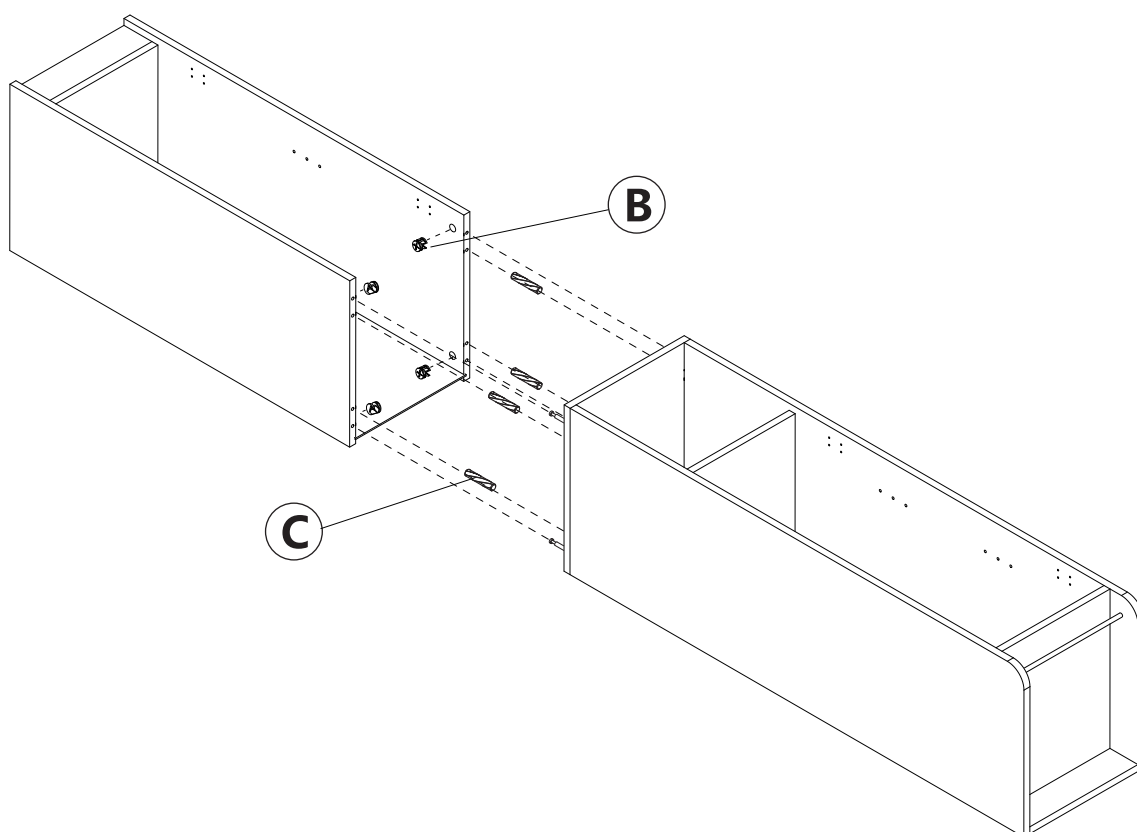
## 11



**B** 4PCS

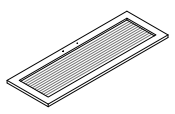


**C** 4PCS

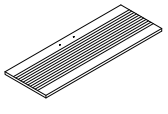




## 12



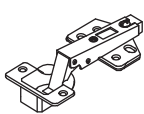
① 1PC



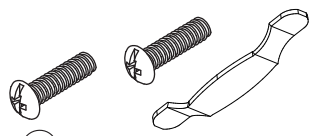
② 1PC



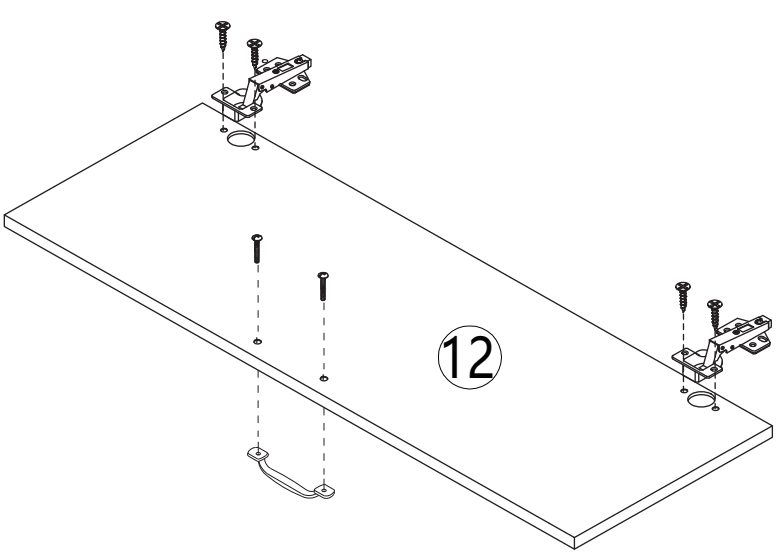
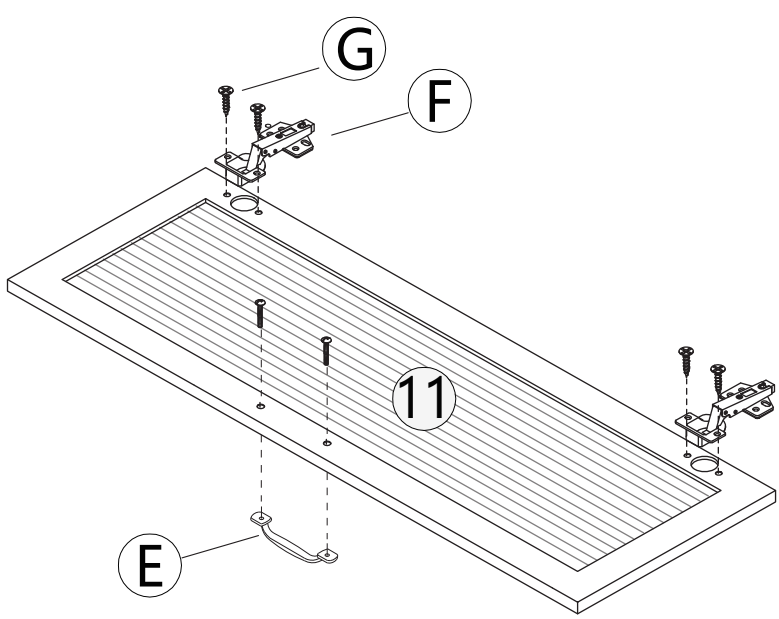
Ⓒ 8PCS



Ⓕ 4PCS

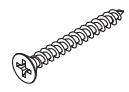


Ⓖ 2PCS

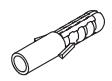




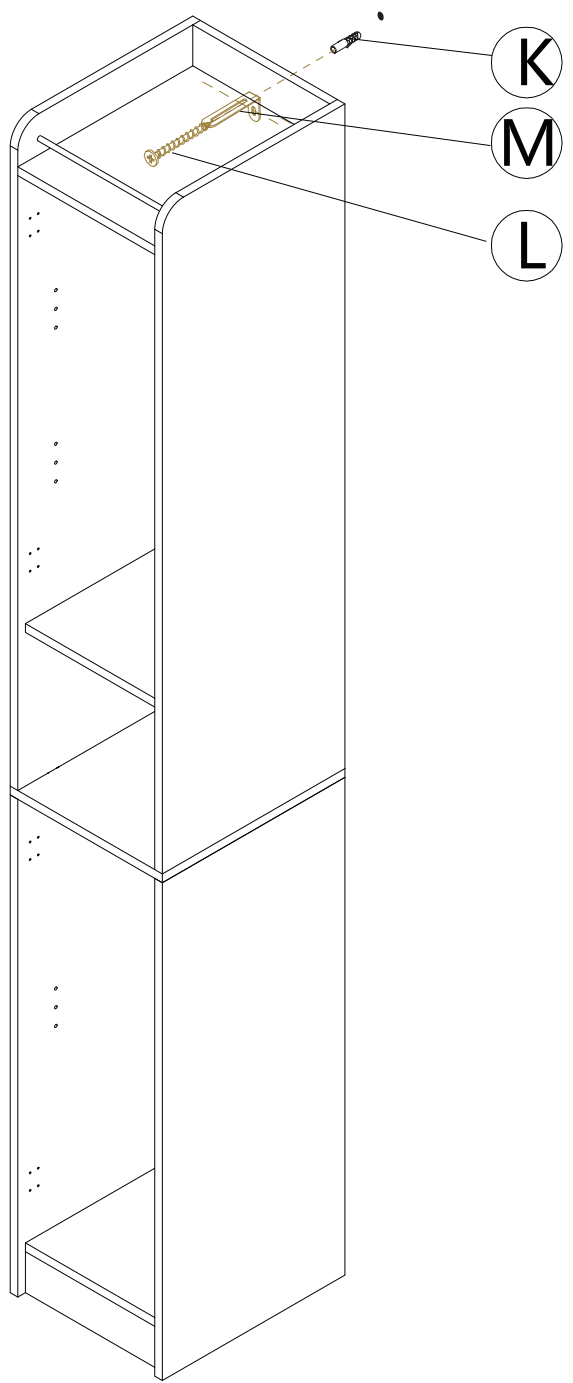
## 13



Ⓛ 1PC



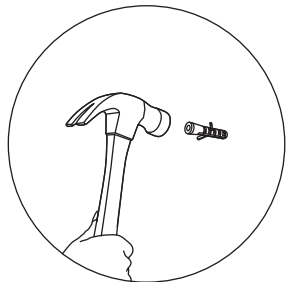
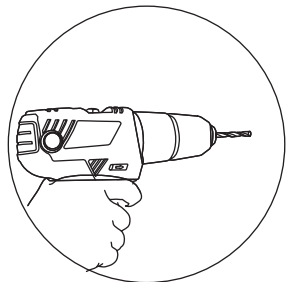
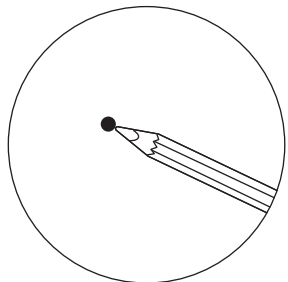
Ⓚ 1PC



### Secure it!

This product **MUST** be securely attached to the wall. Use the tip-over restraint provided with the product and the right hardware for your wall type.

- **NEVER** allow children to stand, climb or hang on any drawers, doors, or shelves.
- This is a permanent label. Do not remove!

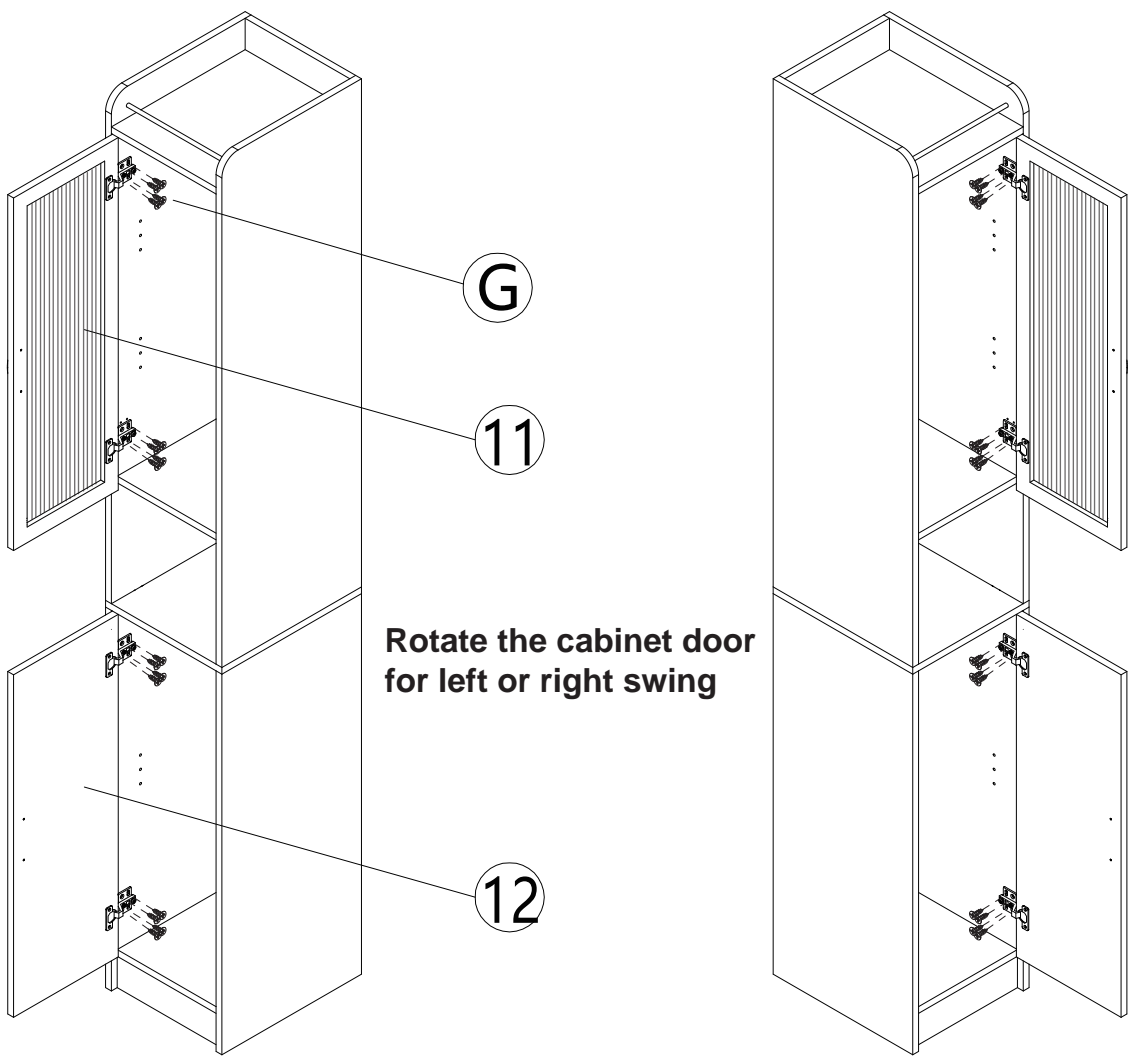




**14**

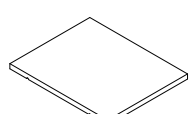


Ⓒ 16PCS

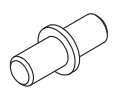




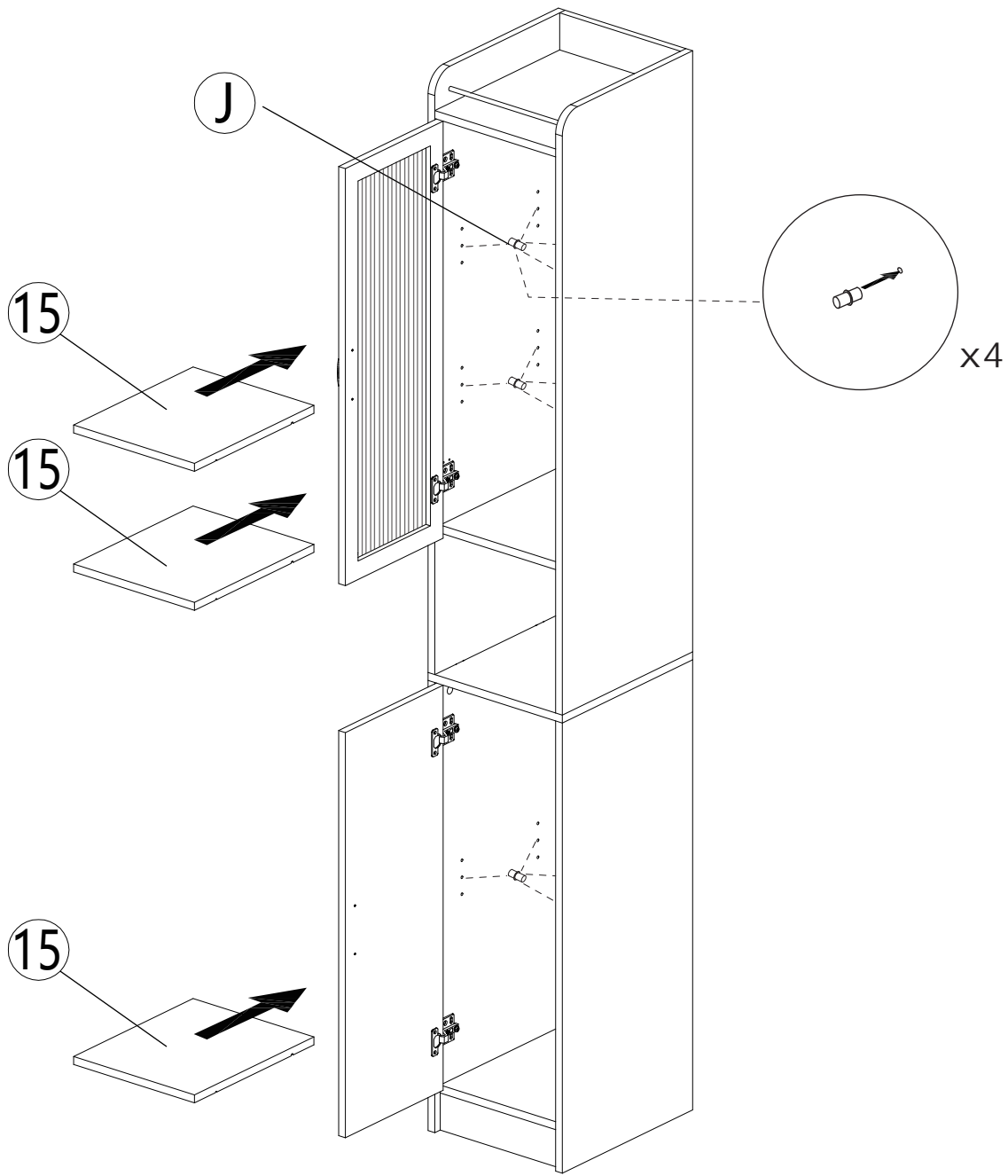
**15**



⑮ 3PCS



Ⓝ 12PCS





## OPTIONAL DOOR ADJUSTMENT

