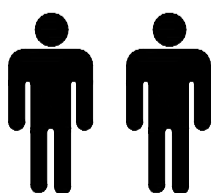
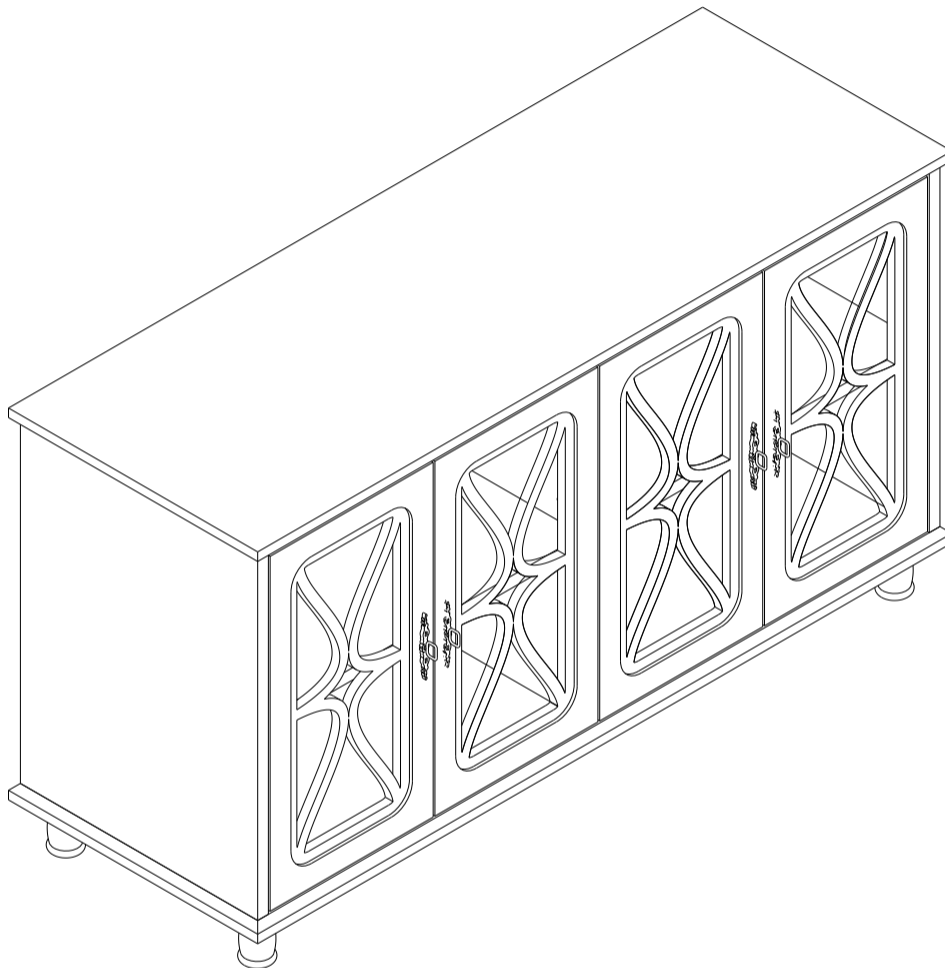
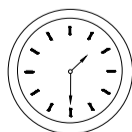


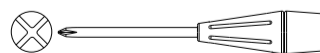
Installation Instruction

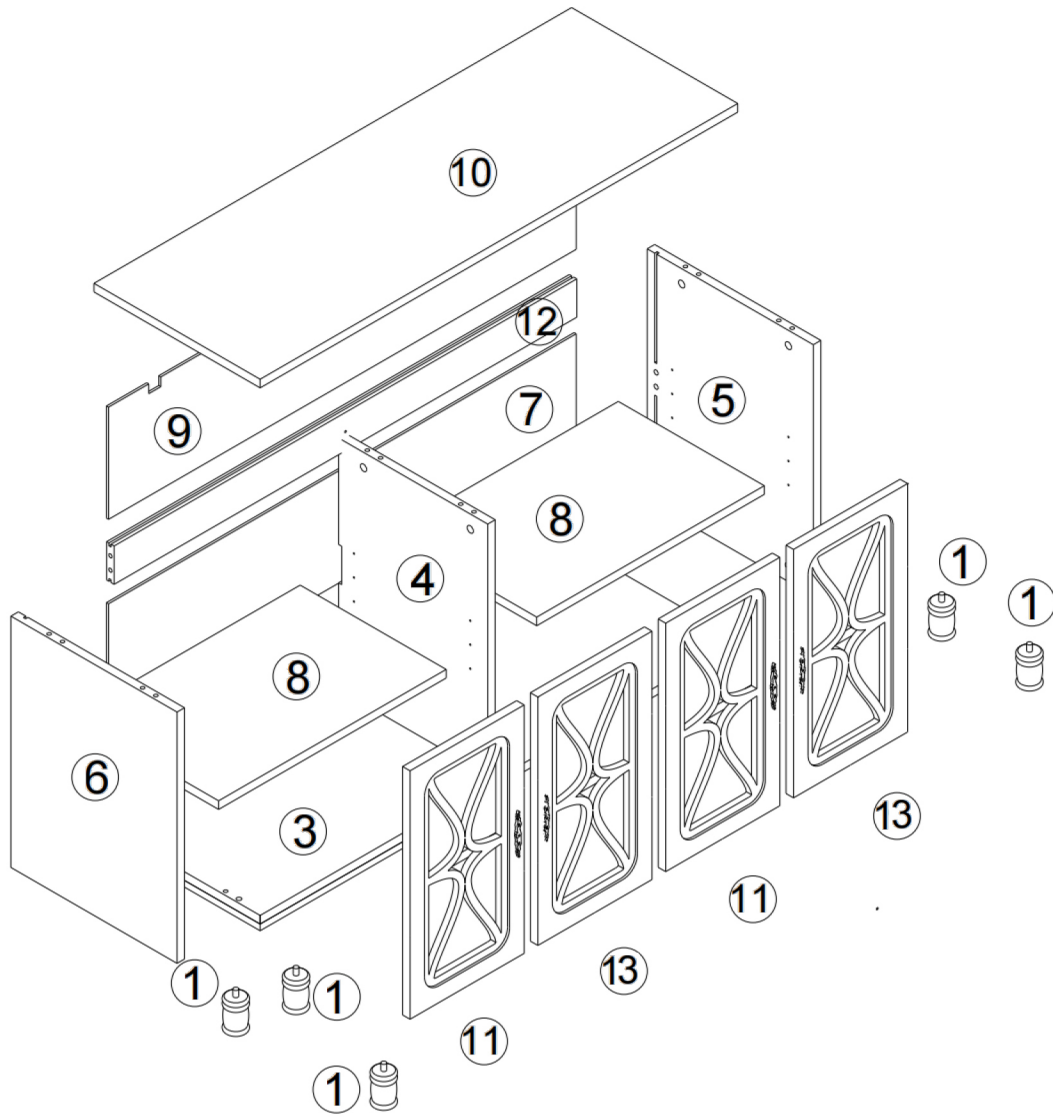






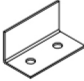





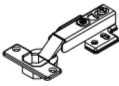
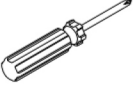




2 PERS.



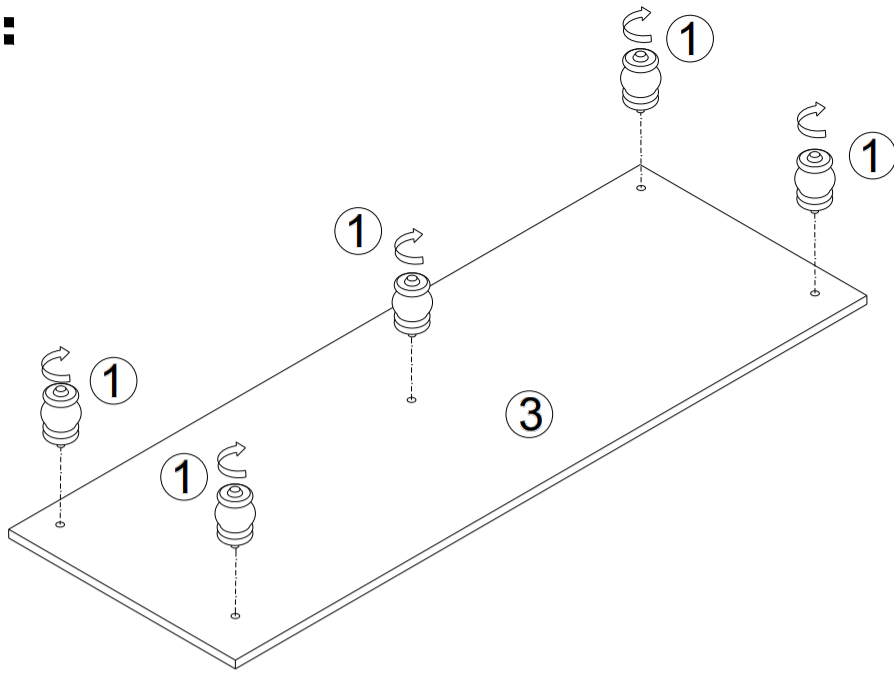
90 MIN



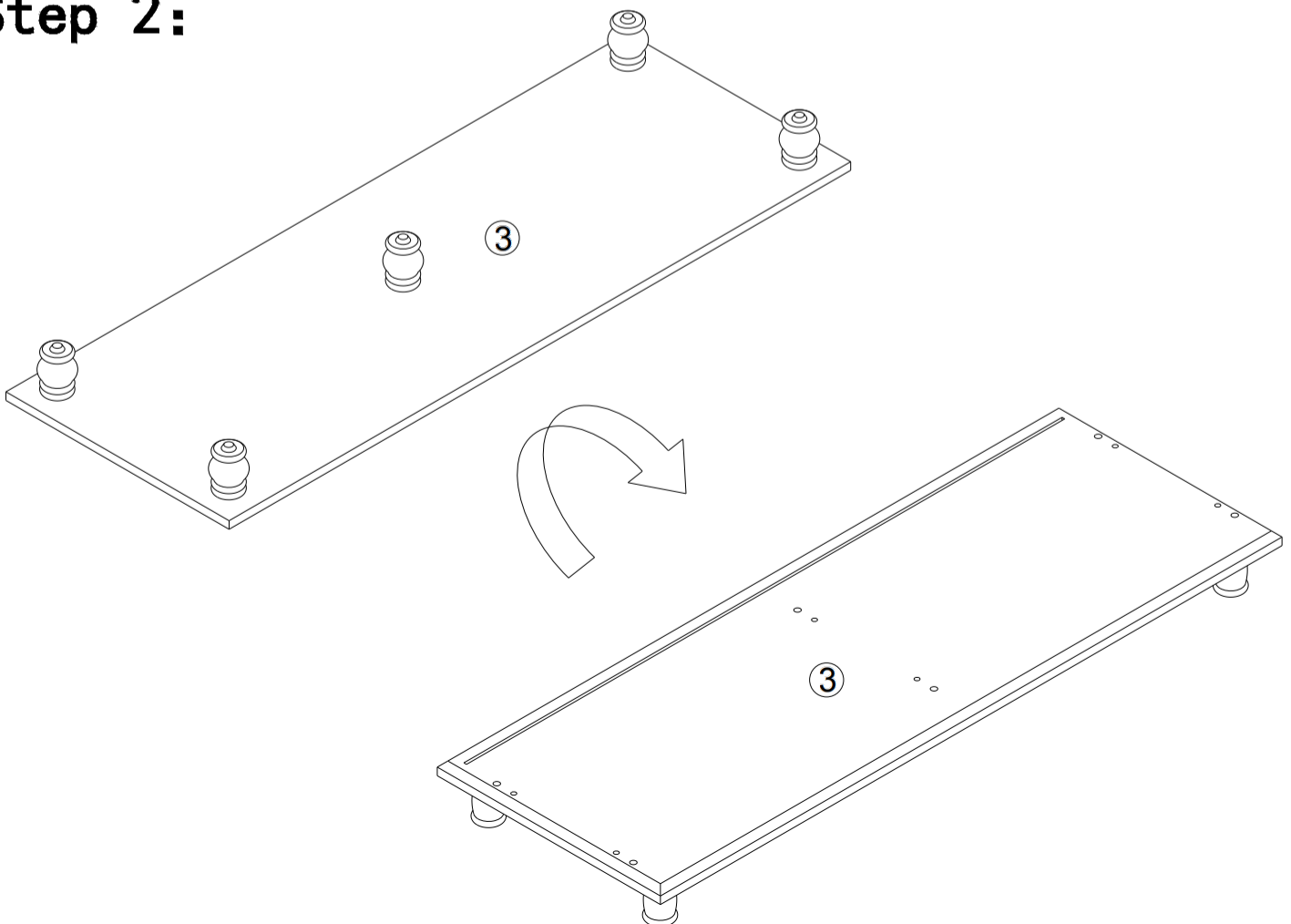


A  16pcs	B  16pcs	C  12pcs	D  4pcs	H  2pcs	I  48pcs
J  4pcs	K  4pcs	L  2pcs	M  4pcs	N  4pcs	O  1pcs
P  12pcs	Q  12pcs	R  8pcs	W  1pcs		

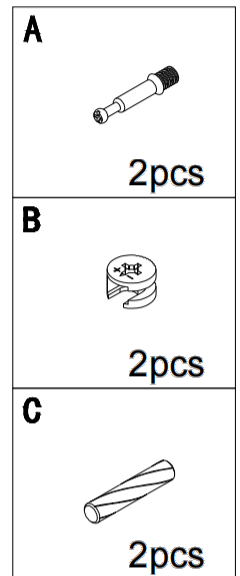
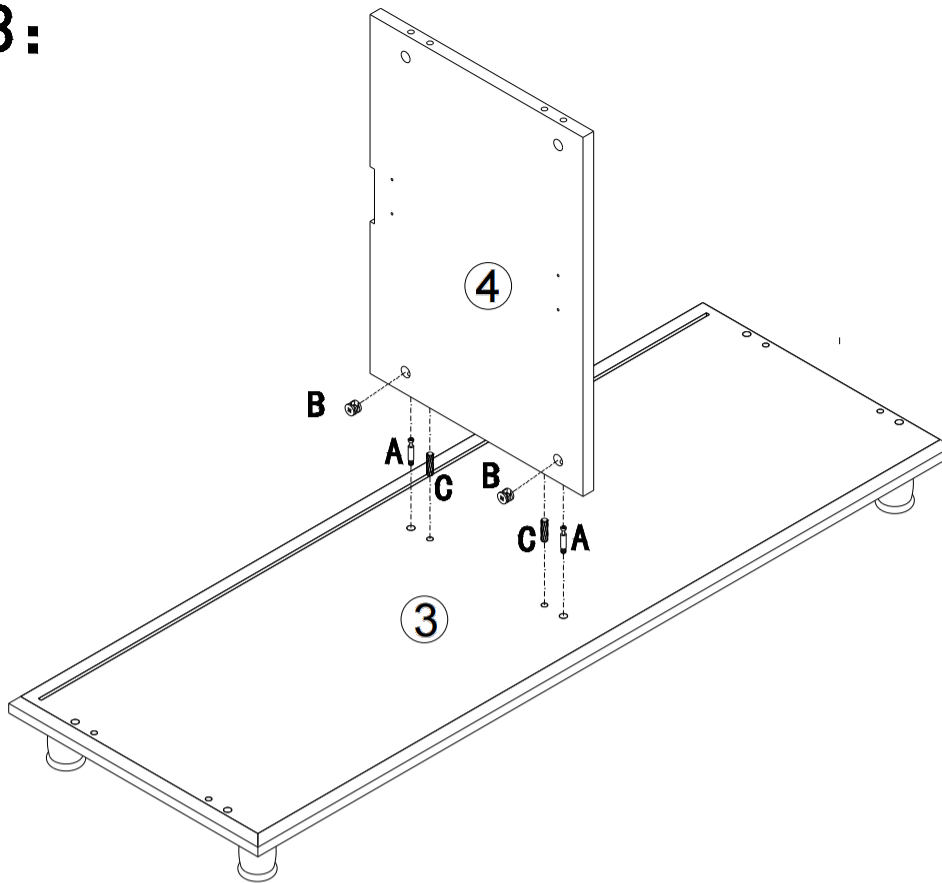
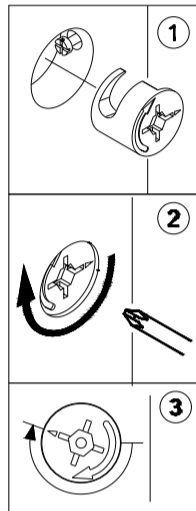
Step 1:



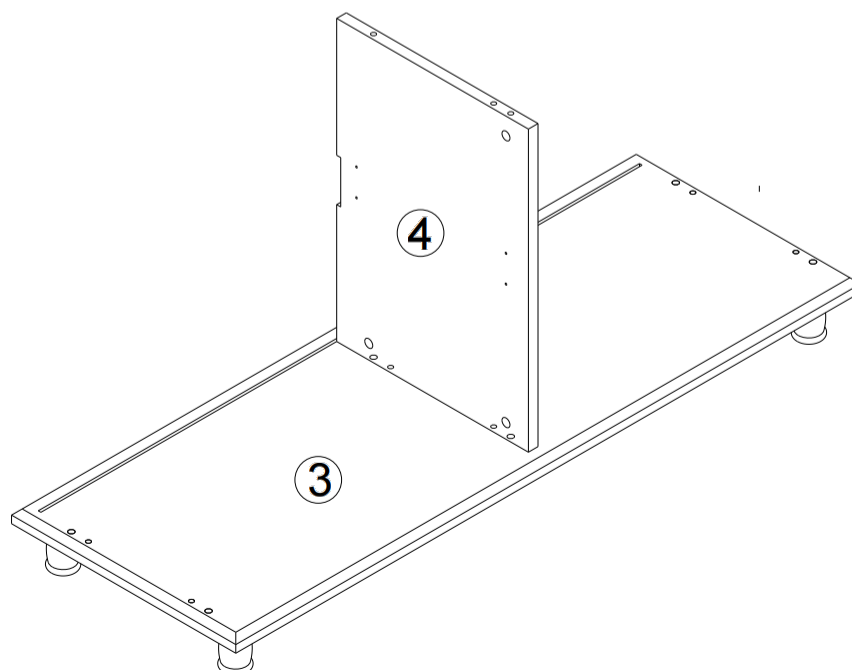
Step 2:



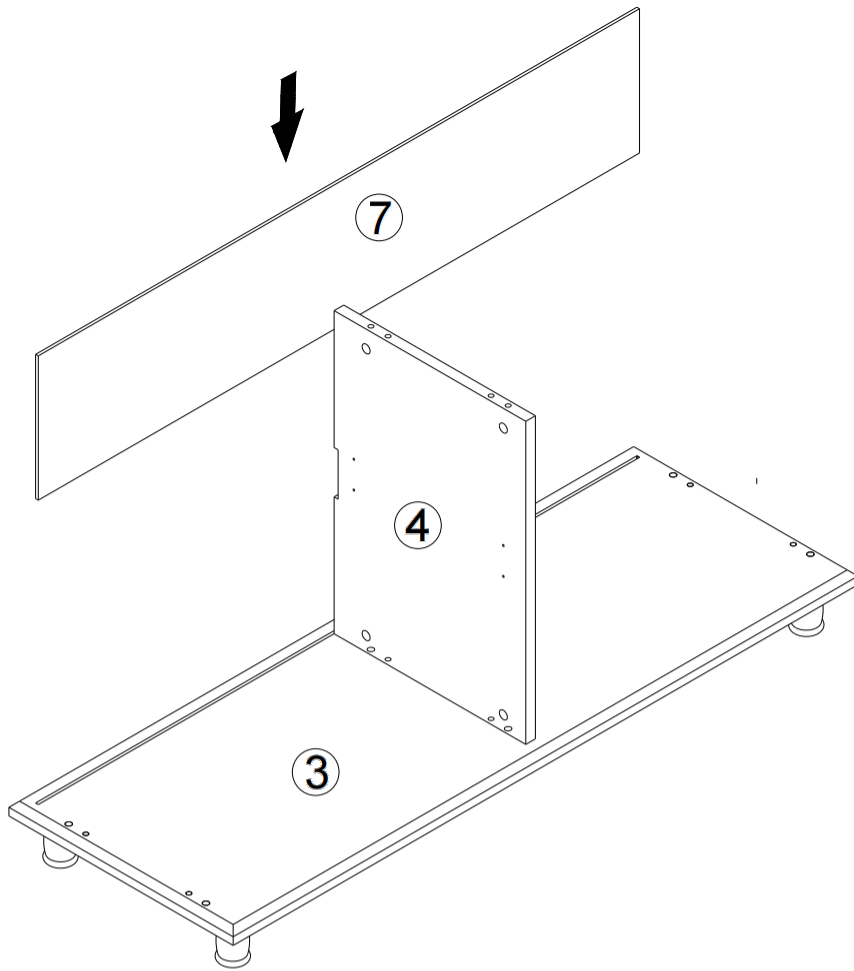
Step 3:



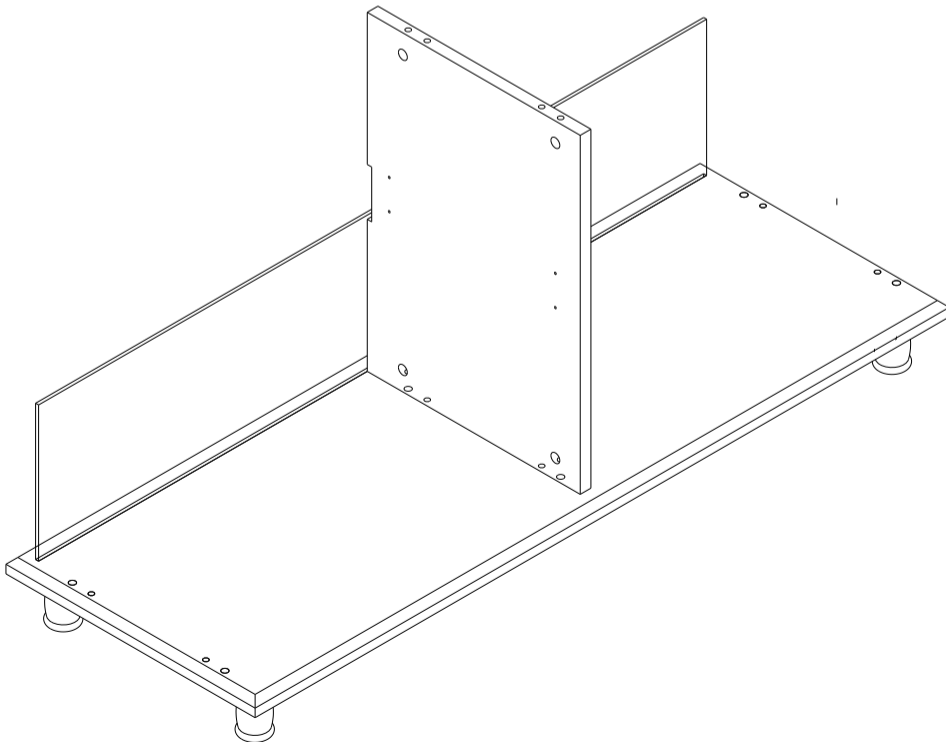
Step 4:



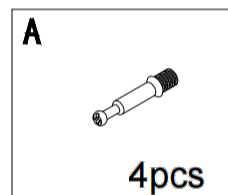
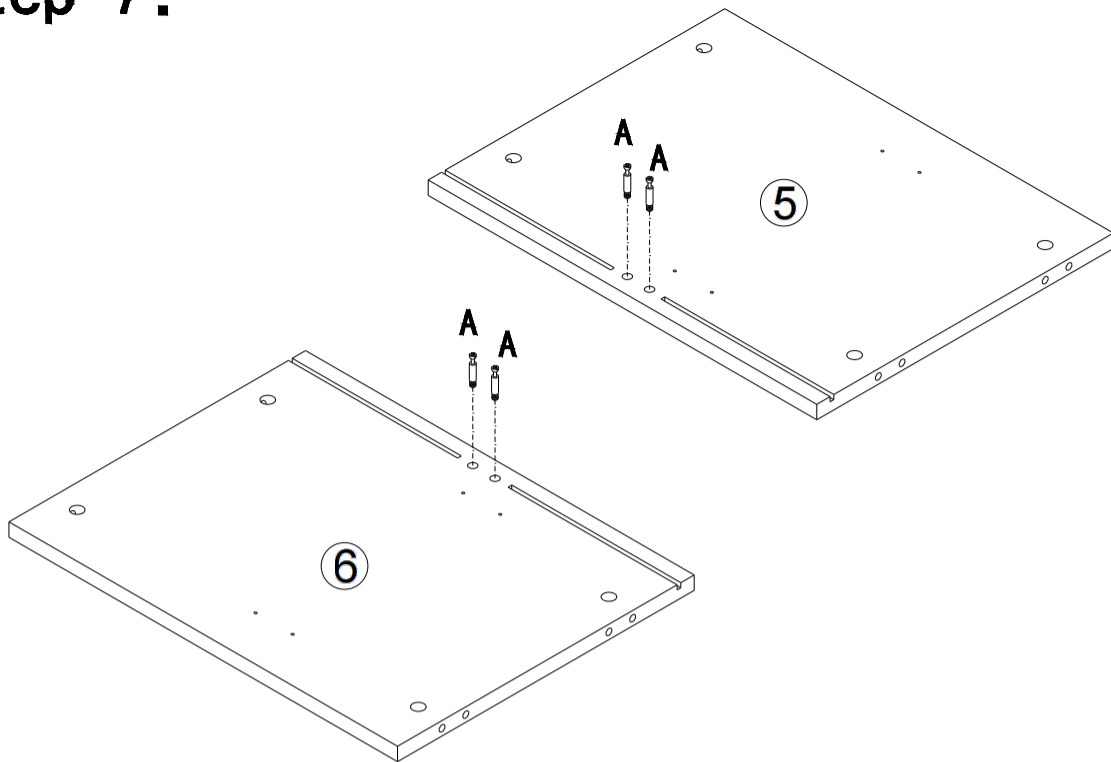
Step 5:



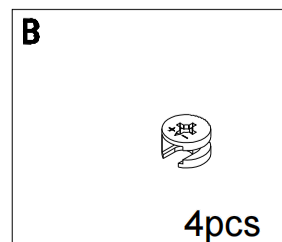
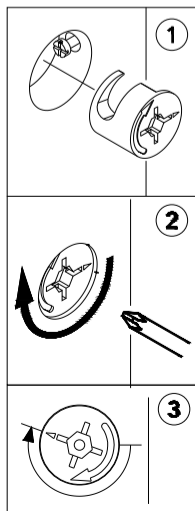
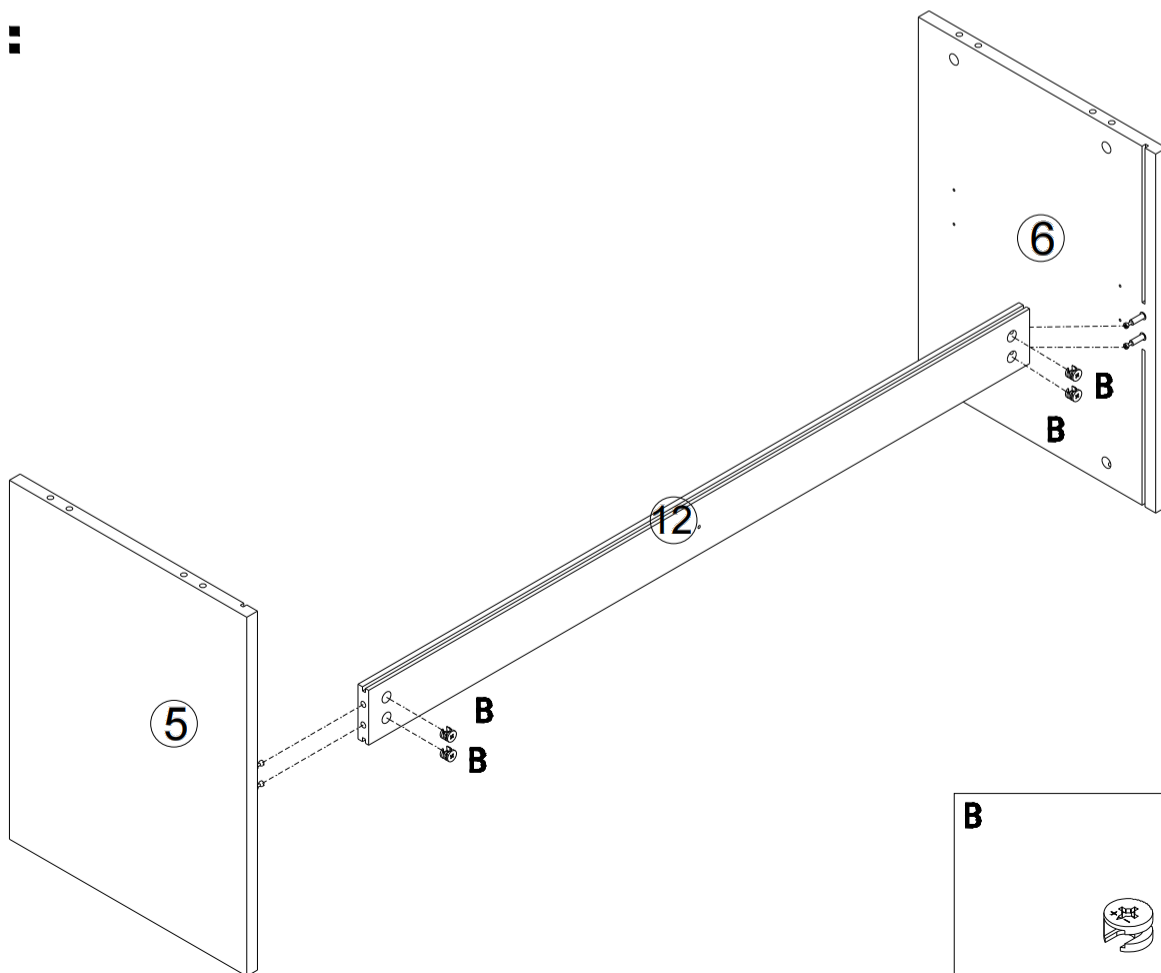
Step 6:



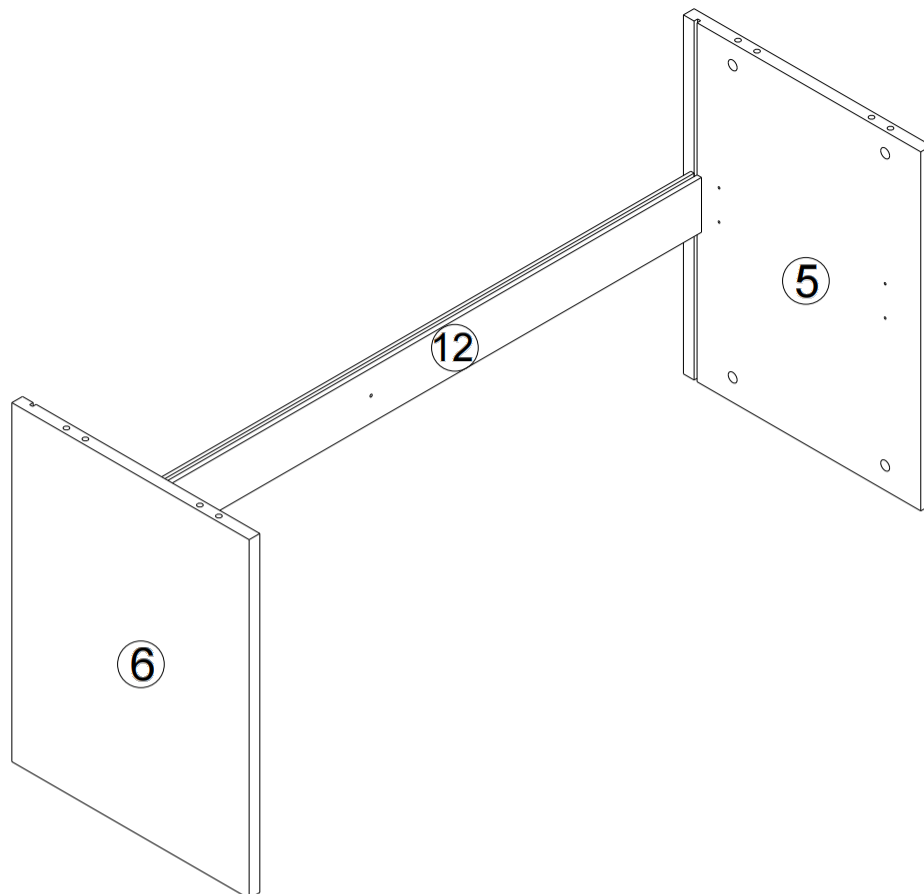
Step 7:



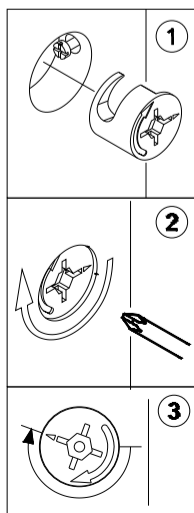
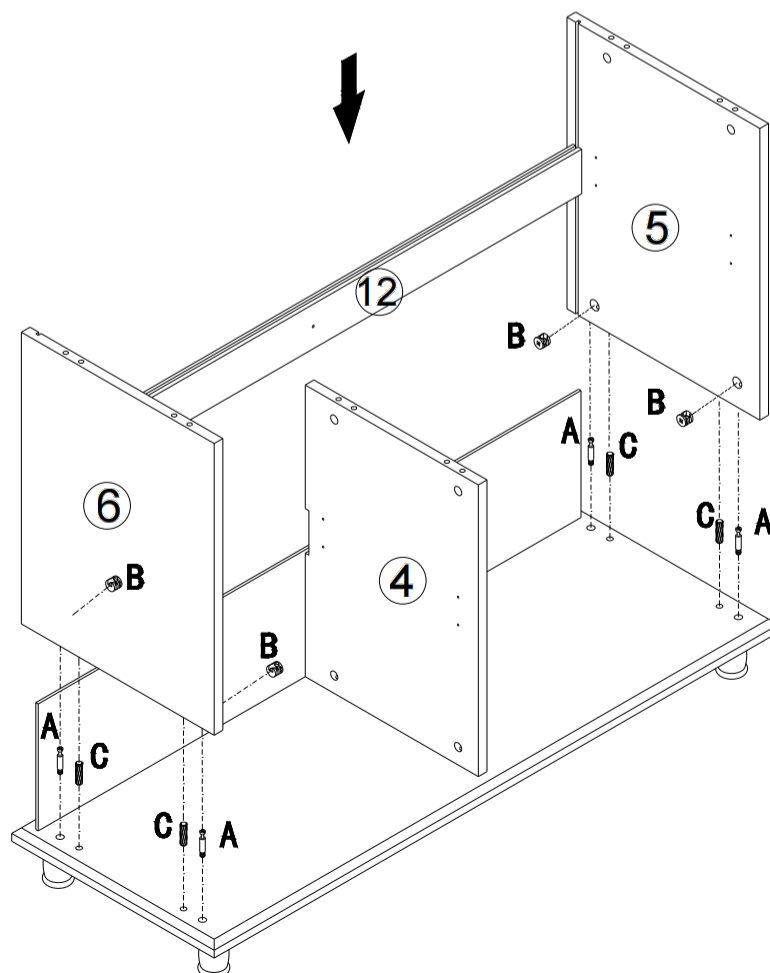
Step 8:






Step 9:

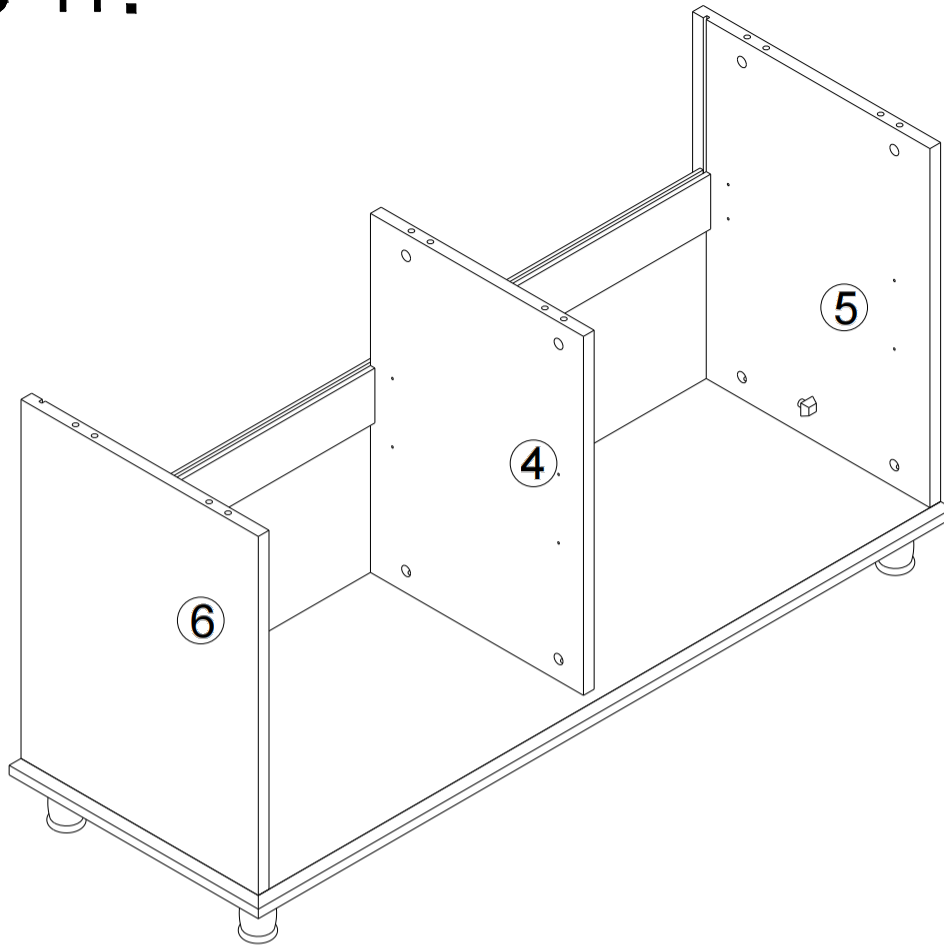


Step 10:

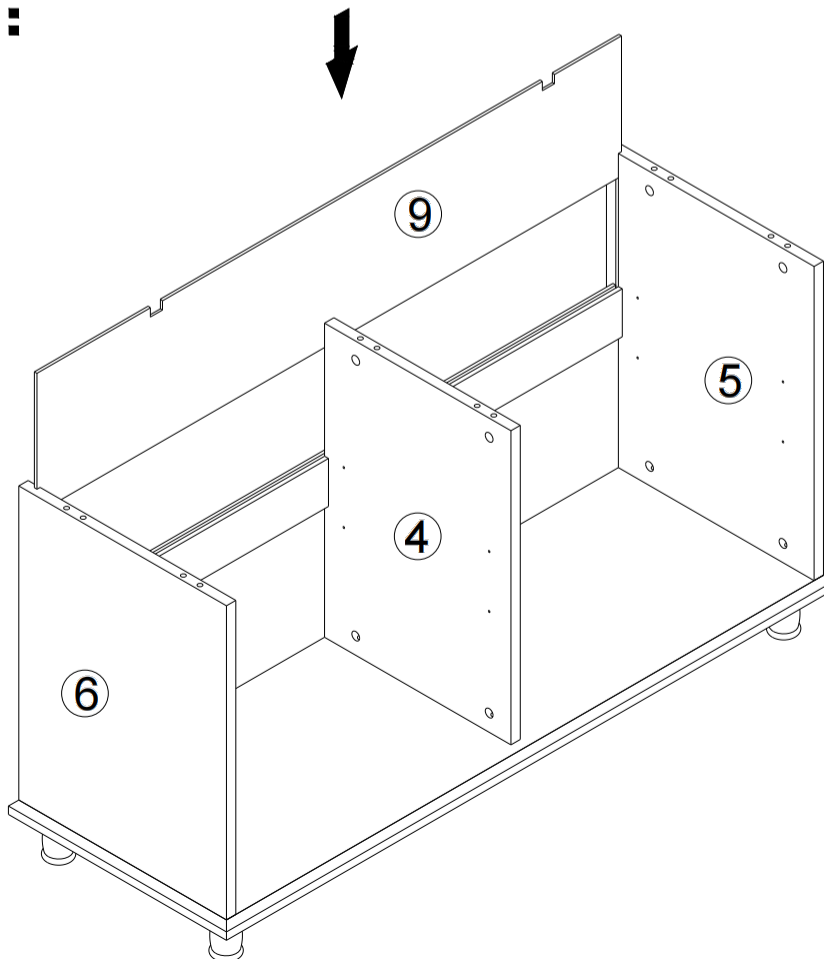


A		4pcs
B		4pcs
C		4pcs

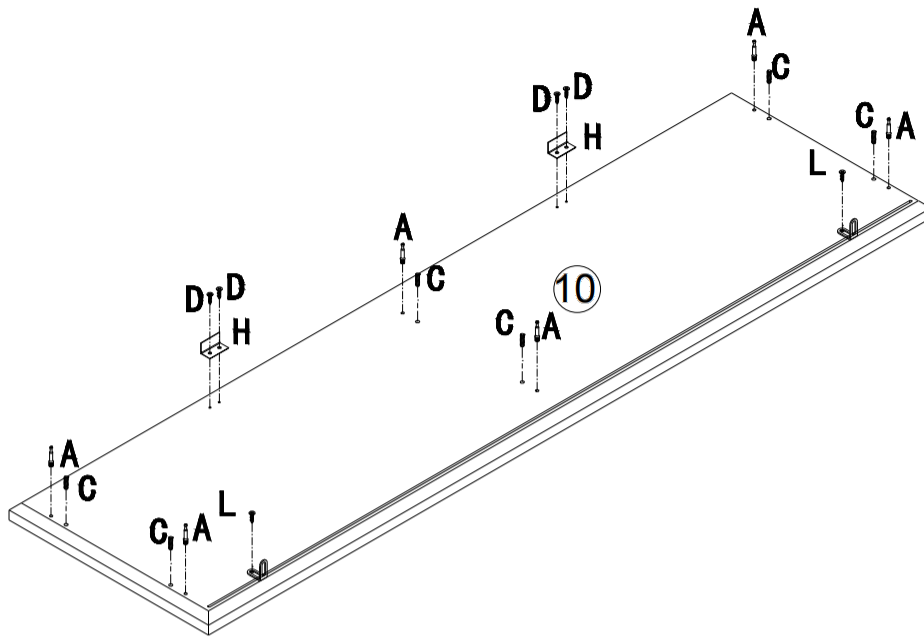
Step 11:




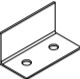



Step 12:

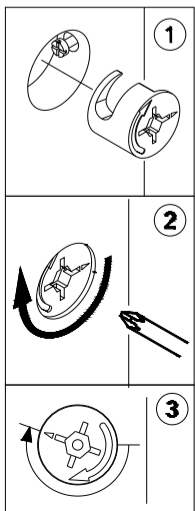
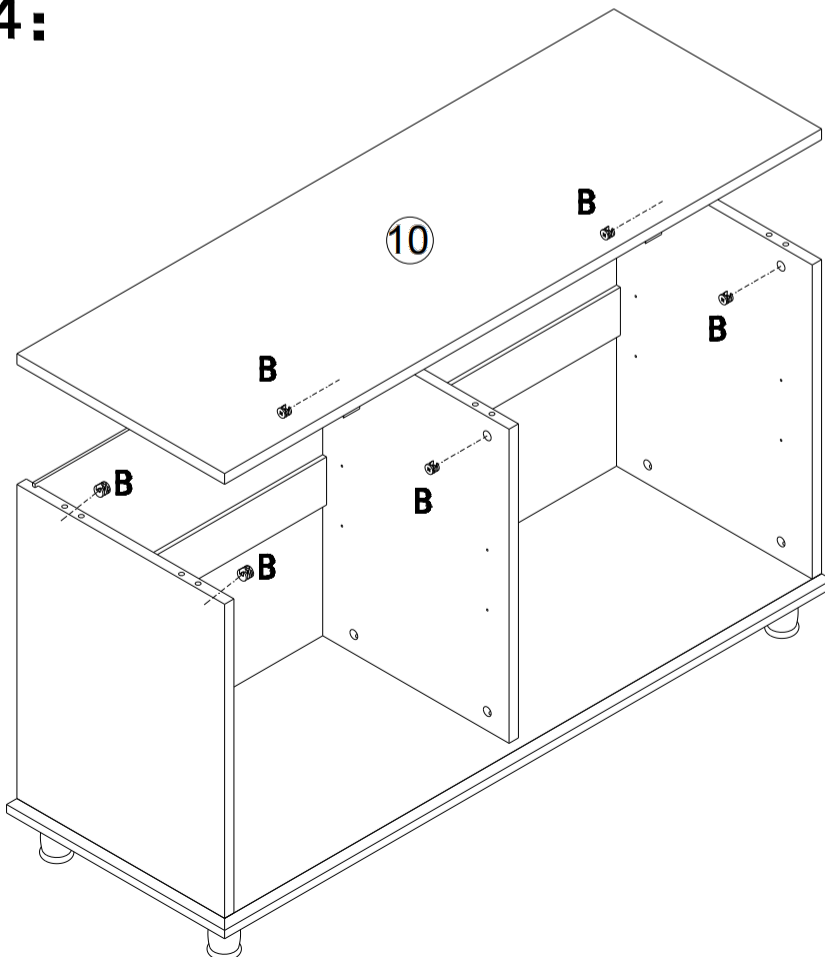


Step 13:




A		6pcs
L		2pcs
C		6pcs
H		2pcs
D		4pcs

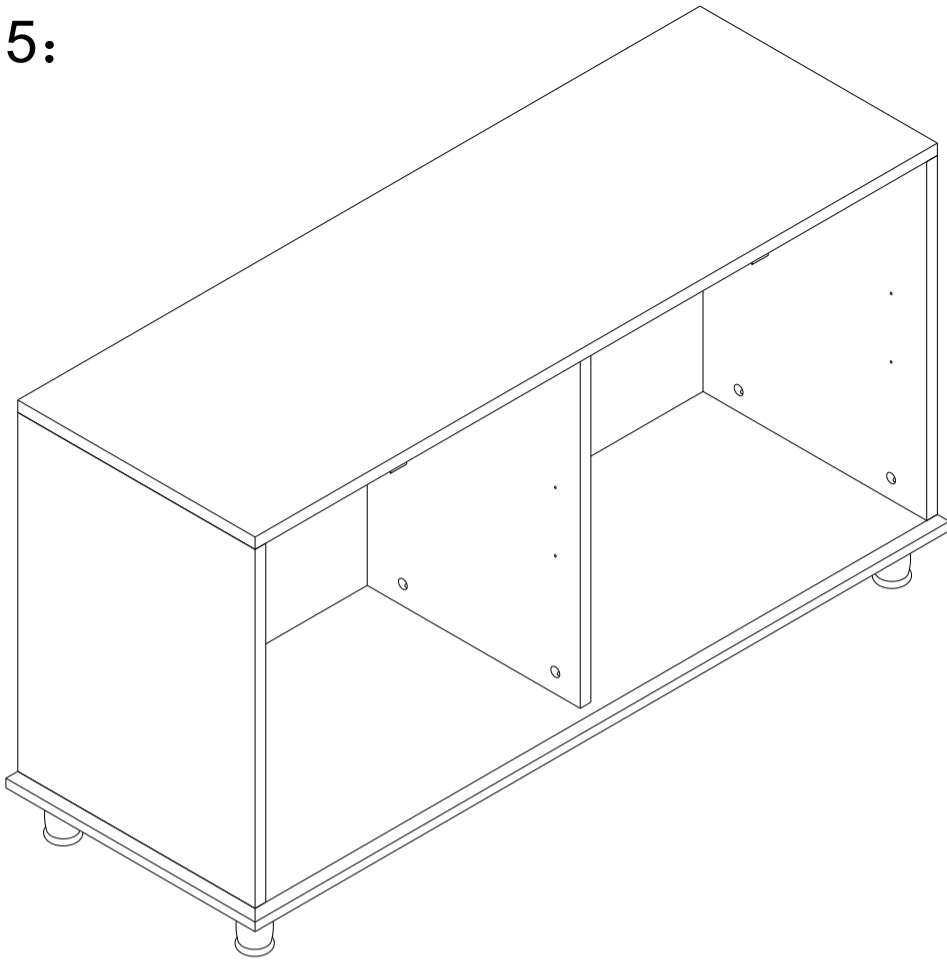
Step 14:



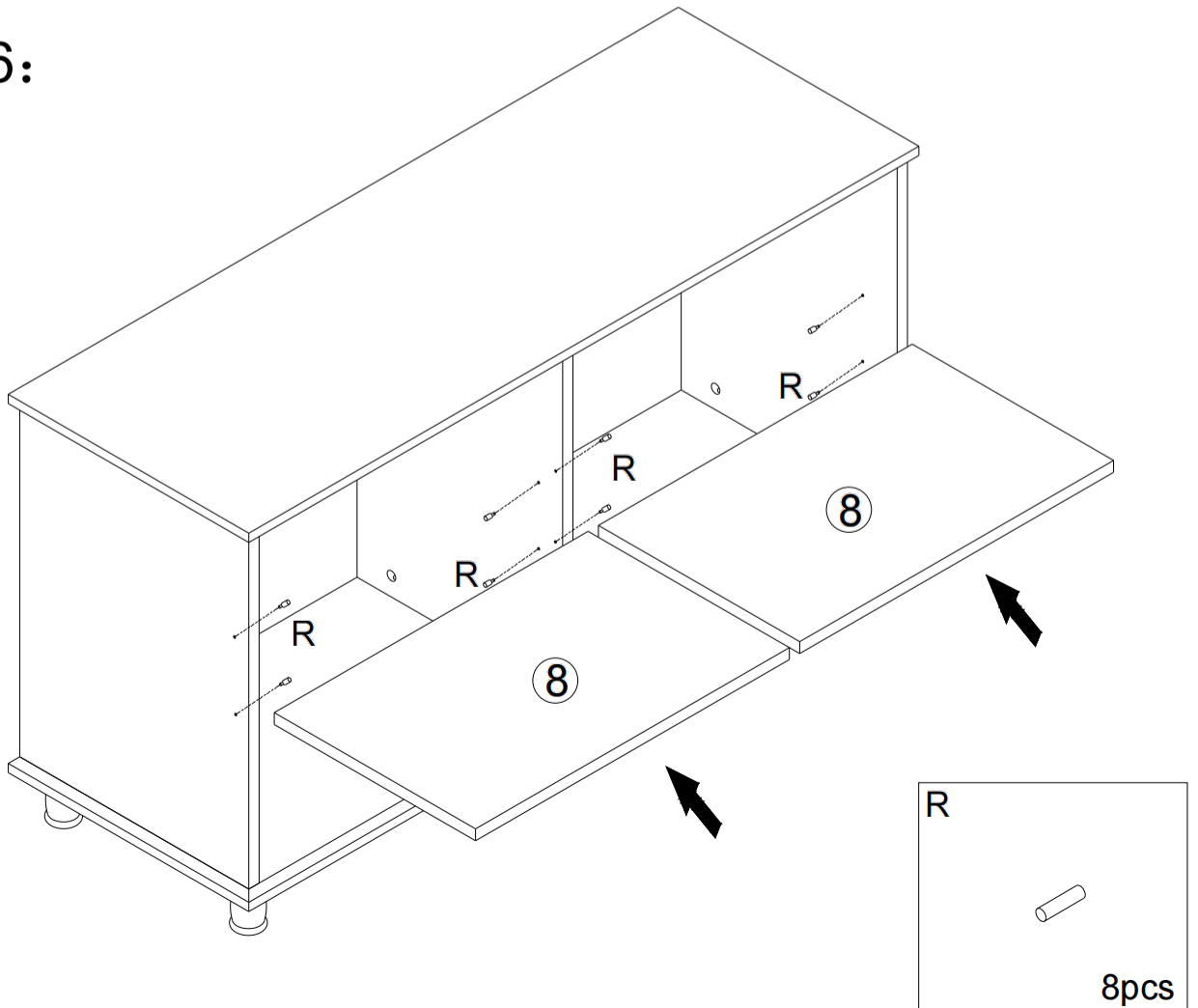
P. 9

B		6pcs
----------	---------------------------------------------------------------------------------------	------

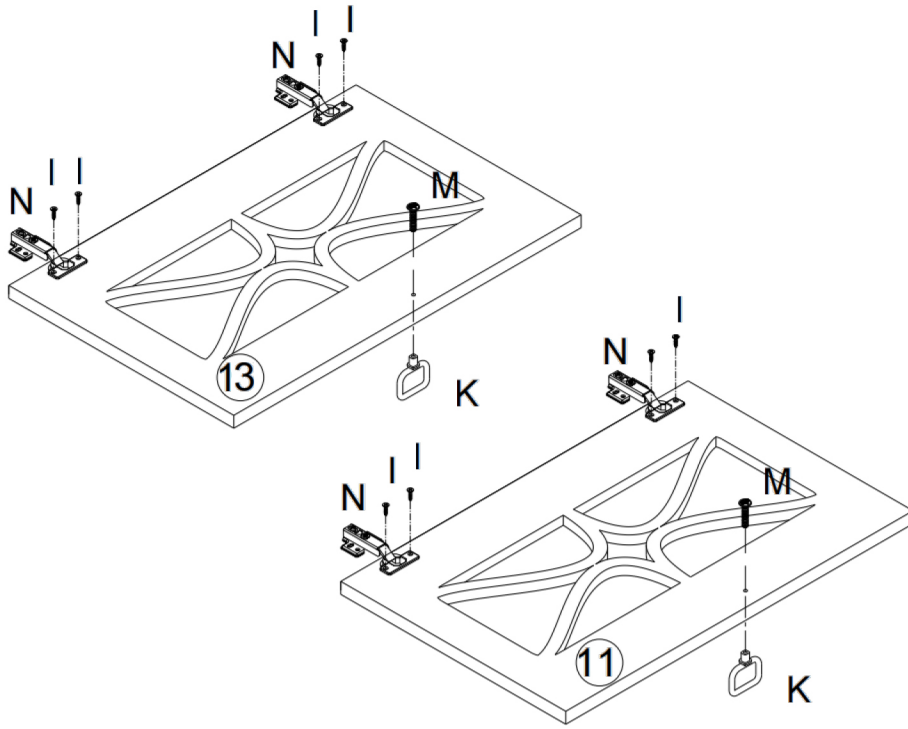
Step 15:

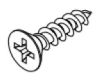

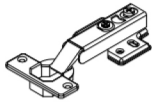



Step 16:

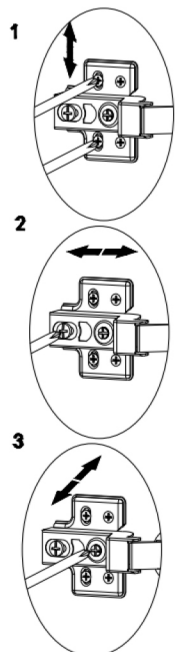
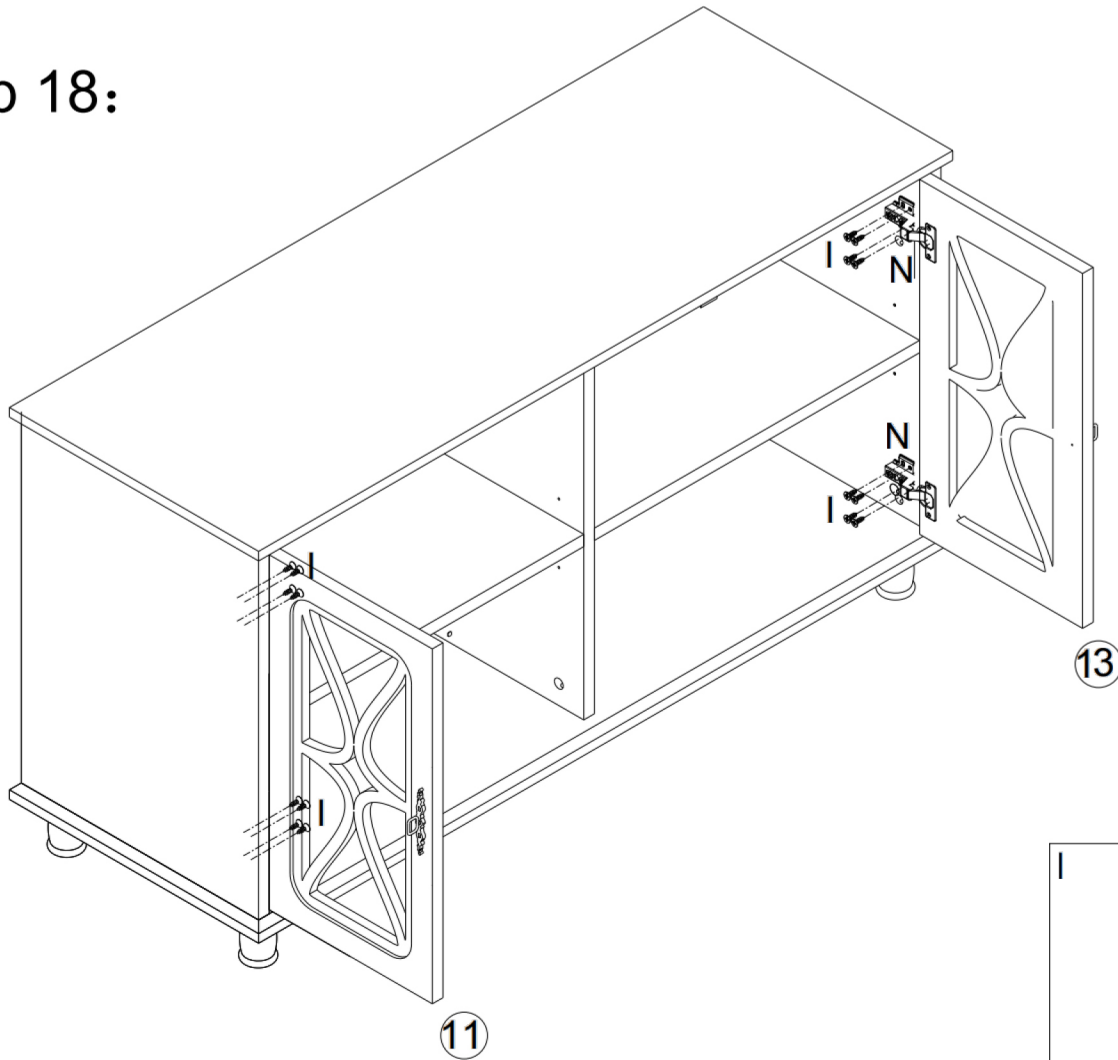



Step 17:



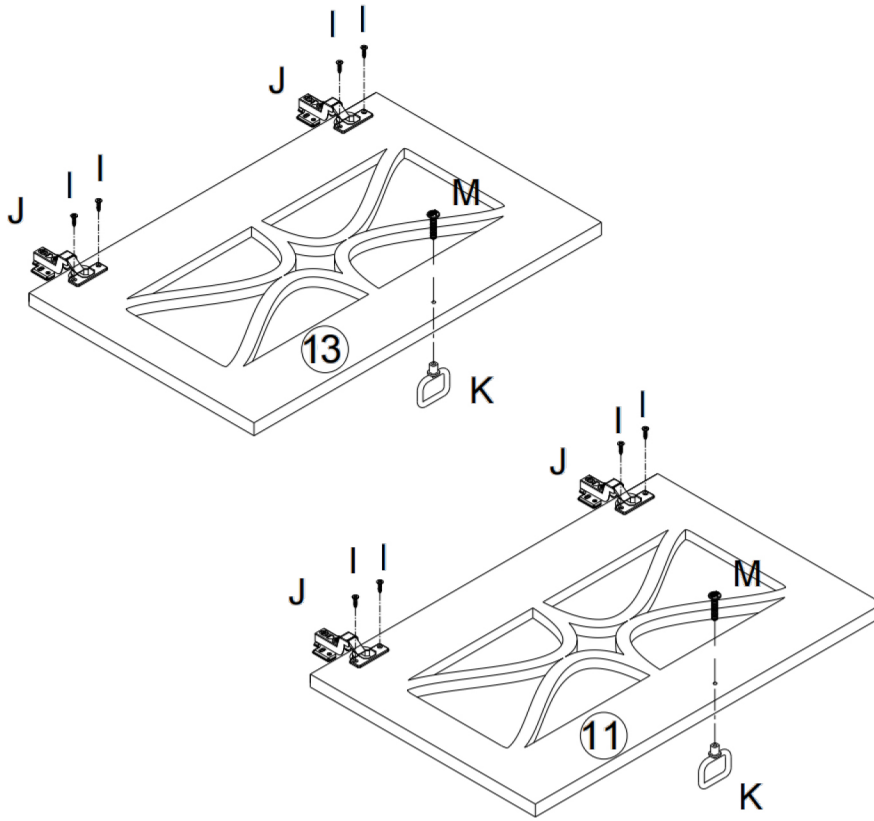
I		8pcs
M		2pcs
N		4pcs
K		2pcs

Step 18:



I		16pcs
---	---------------------------------------------------------------------------------------	-------

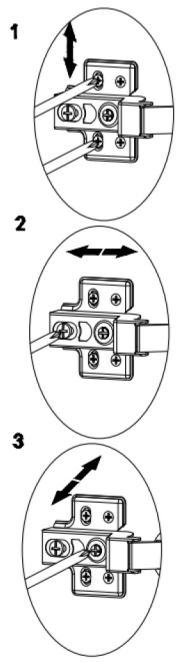
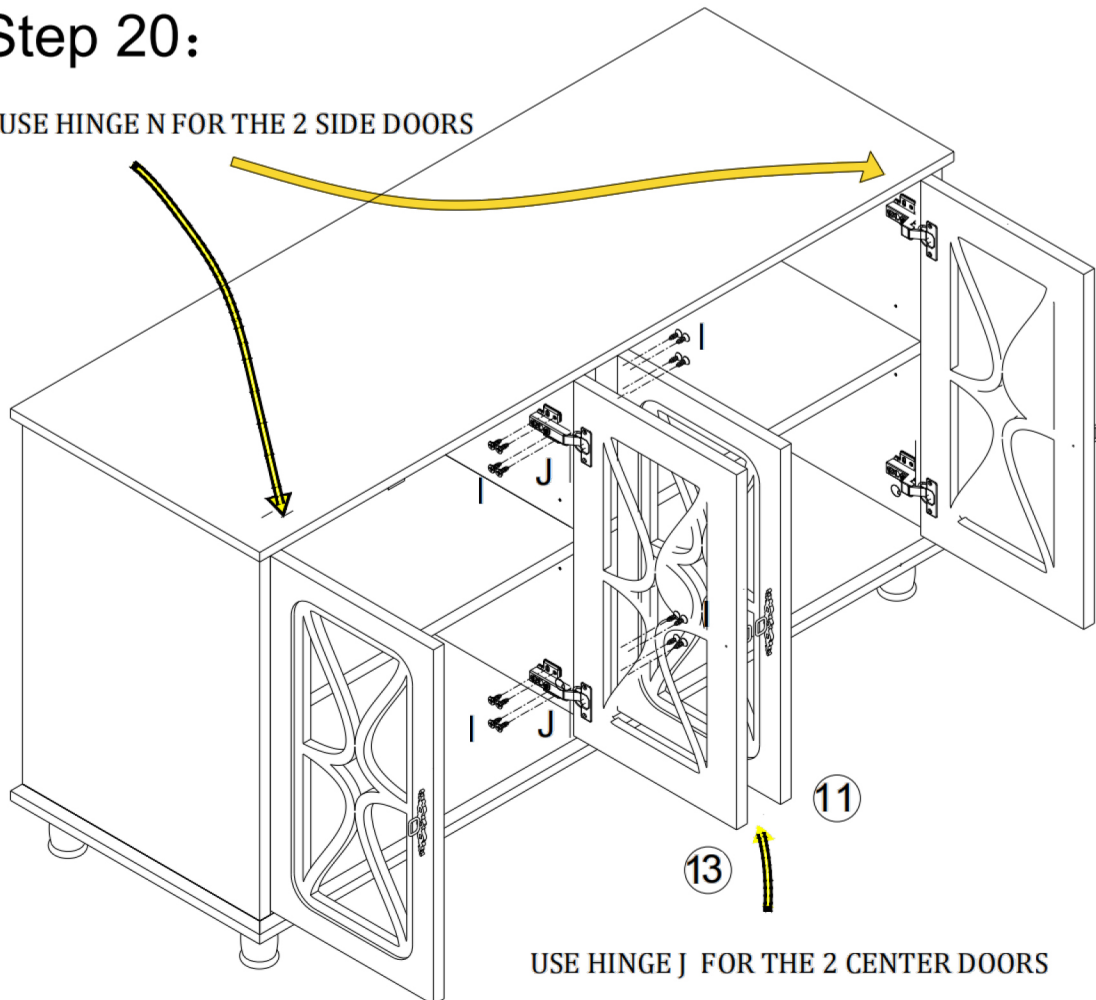
Step 19:



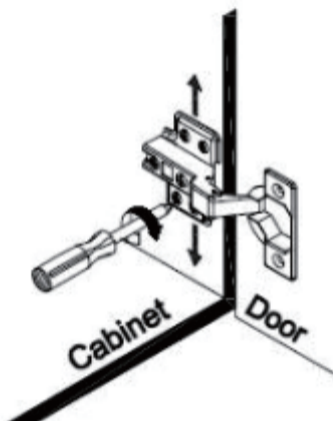
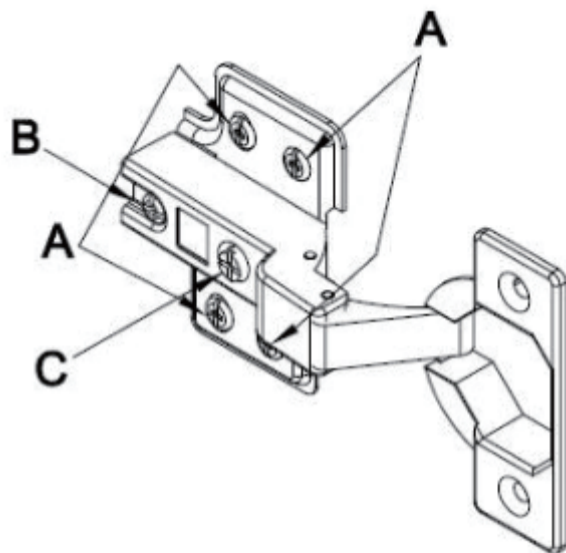
I		8pcs
M		2pcs
J		4pcs
K		2pcs

Step 20:

USE HINGE N FOR THE 2 SIDE DOORS

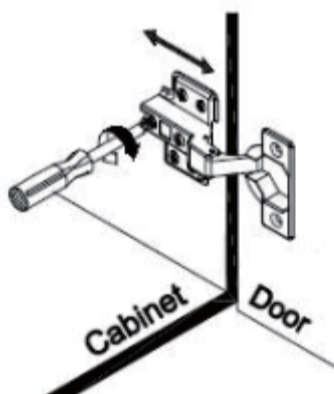


I		16pcs
---	--	-------



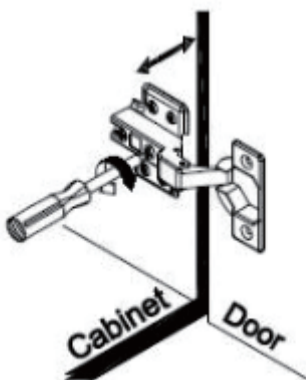
To adjust the vertical height.

Loosen the four screws "A" on both hinges. Two of them are usually in slotted holes which allows you to adjust up or down by a few mm. Then tighten back up.



To adjust depth.

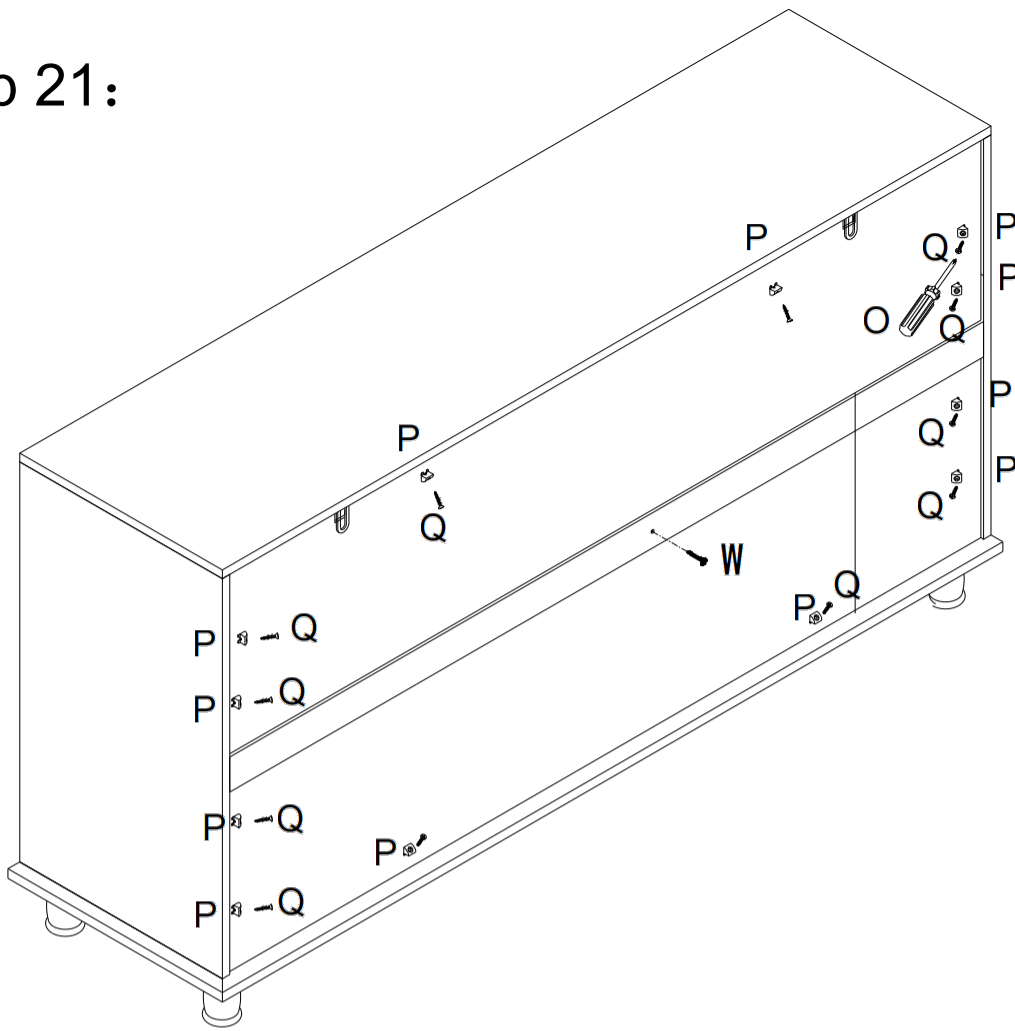
Loosen screw "B" and adjust door, if the door can not be adjusted, please loosen screw "C", then try again. Tighten screw "B" and "C".


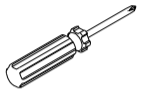




To adjust side ways.

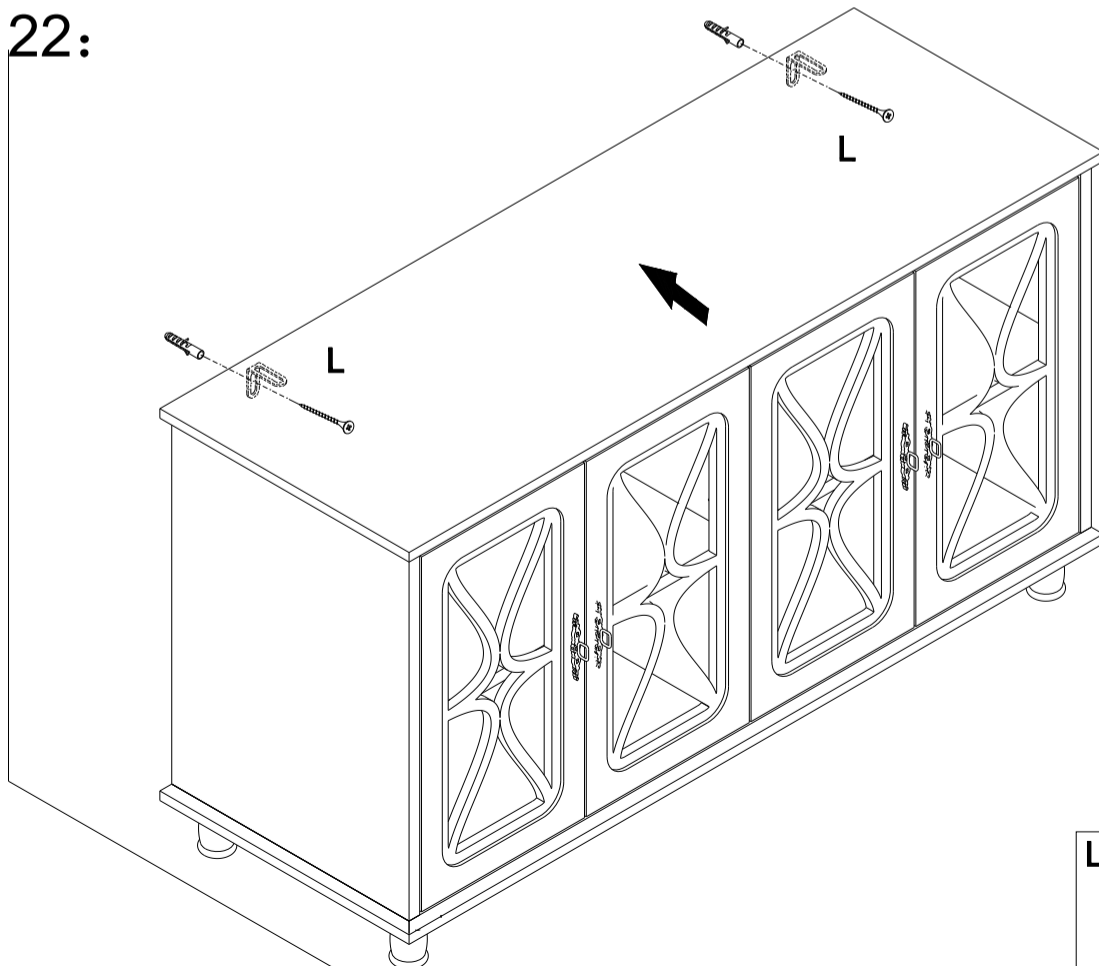
Turning the screw "C" on BOTH hinges on each door.


Step 21:



W		1pcs
O		1pcs
P		12pcs
Q		12pcs

Step 22:



L		2pcs
---	---------------------------------------------------------------------------------------	------