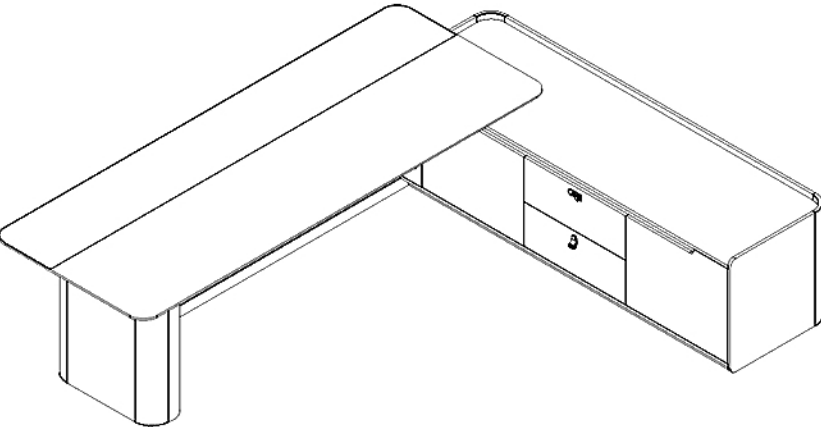


Executive Desk Assembly Guide

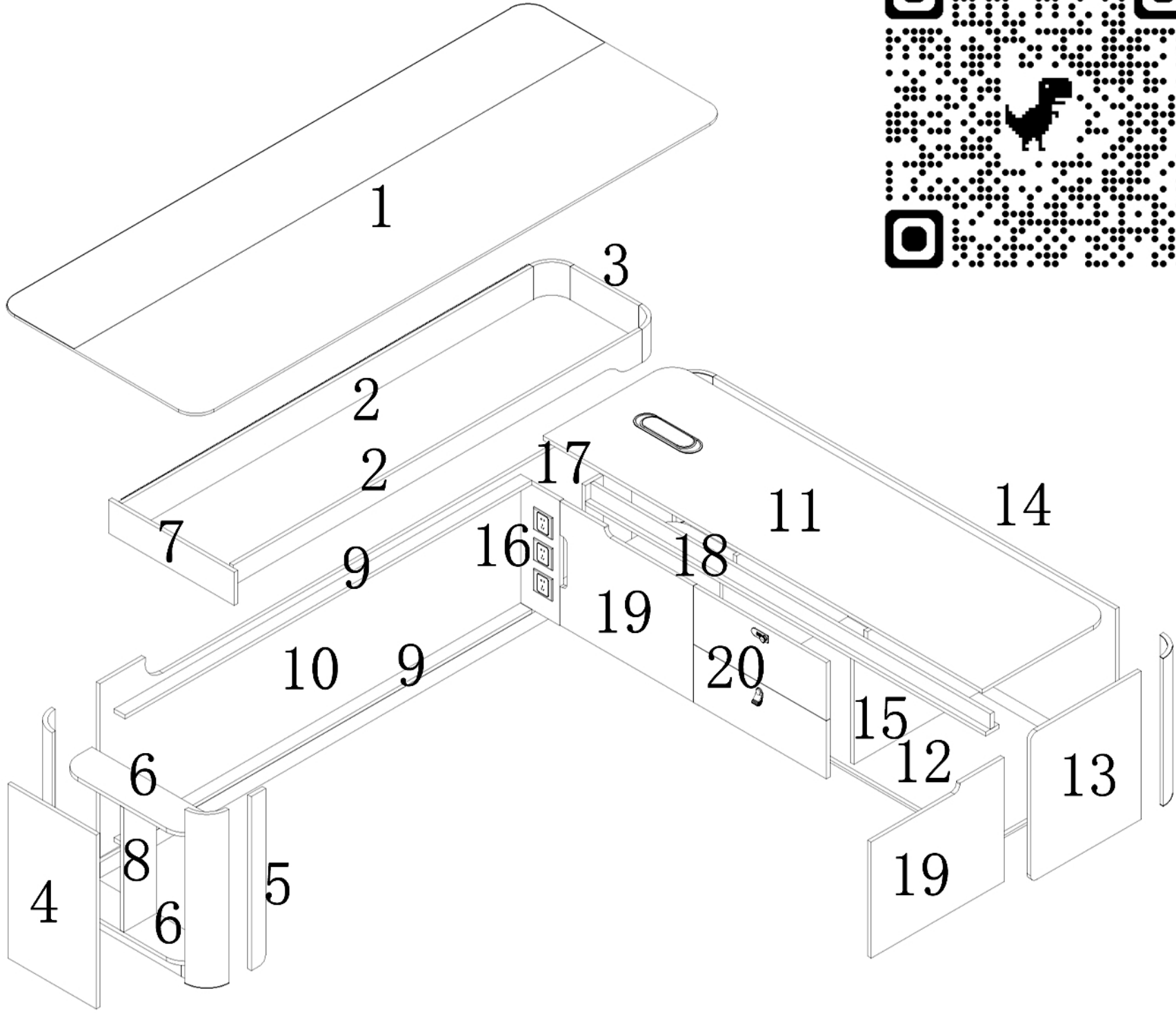
SKU:LBZ-2020

Installation Completed Appearance Diagram

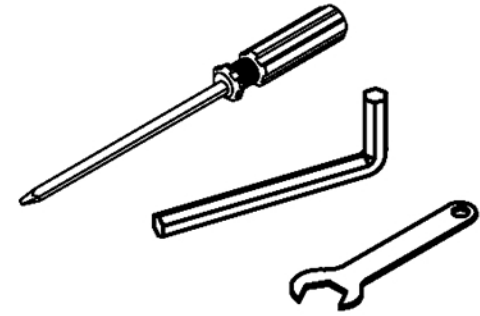


		Executive Desk		
		Number	Part Name	Quantity
		1	Main Desktop	1
		2	Support Box 1	2
		3	Support Box 2	1
		4	Side Panel of Desk Leg	1
		5	Side Panel of Desk Leg	1
		6	Shelf of Desk Leg	2
		7	Pull Bar of Desk Leg	1
		8	Middle Side of Desk Leg	1
		9	Pull Bar	2
		10	Front Panel	1
Product Name	Executive Desk	11	Top Panel	1
Series Name		12	Bottom Panel	1
Product Model	LBZ-2020	13	Side Pan	1
Product Specifications (Inch)	79*70*30	14	Back Panel	1
Color	Dare Wood Grain + Dior White	15	Middle Side	2
Page	First Page / Total Two Pages	16	End Panel	1
		17	Door Hinge	1
		18	Decorative Panel	2
		19	Door Panel	2
		20	Drawer Front	2

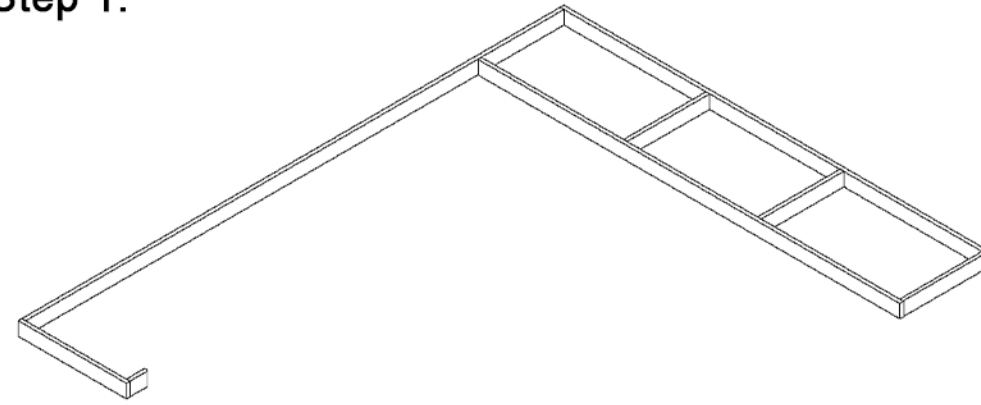
Product Exploded View Diagram



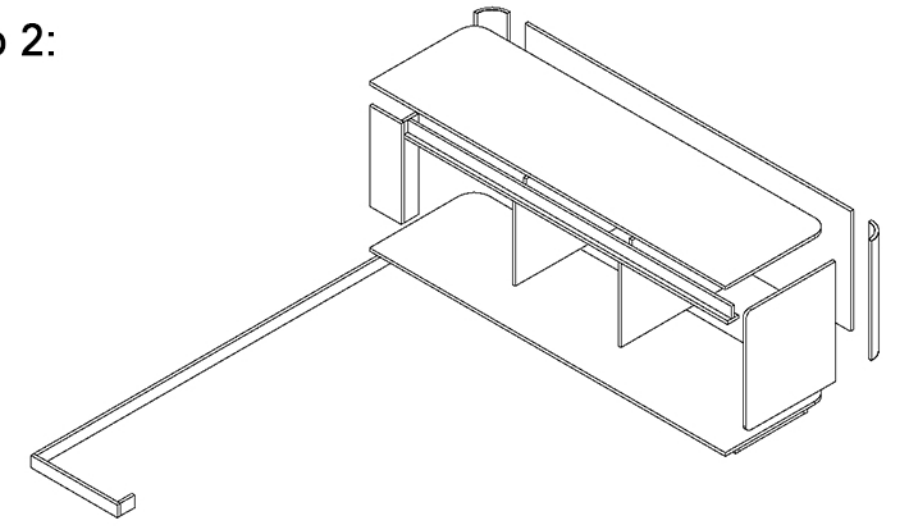
Tools Required




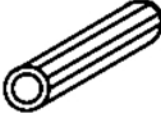


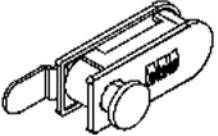





Step 1:

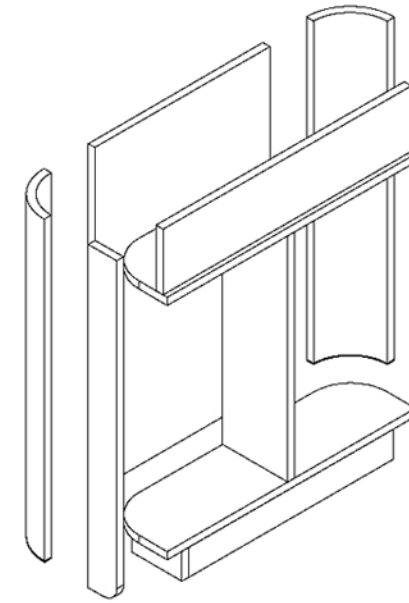


Step 2:

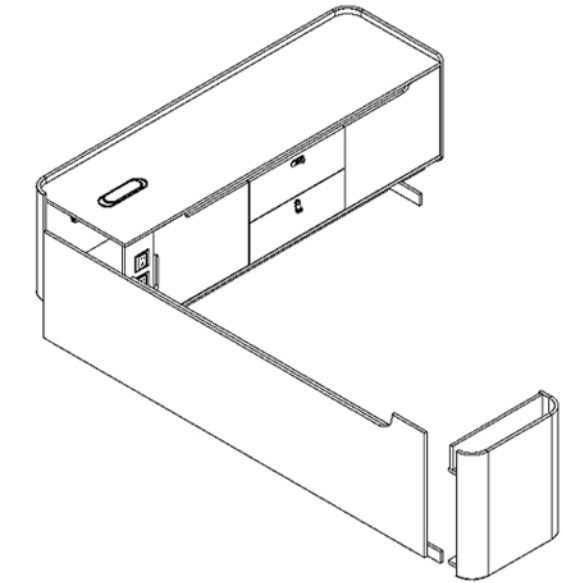


No.	Name	Specification	Illustration	Quantity
A	0.24 in Cable Grommet			1
B	Teardrop Handle			1
C	Cam Lock Fastener Set	Standard		144
D	Wood Dowel	Standard		64
E	Full Overlay Cabinet Hinge			4
F	3-Section Ball Bearing Drawer Slid	18.37 in		2
G	Combination Lock			1
H	Leather Knob			1
I	Self-Tapping Screws	0.16 in × 16 pcs		68
J	Pan Head Self-Tapping Screw	0.16 in × 30 pcs		16

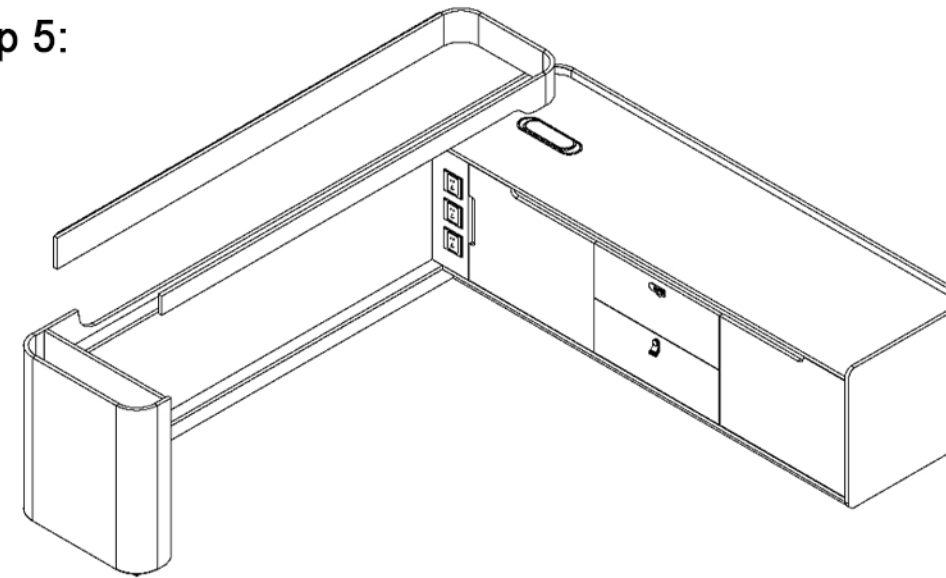
Step 3:



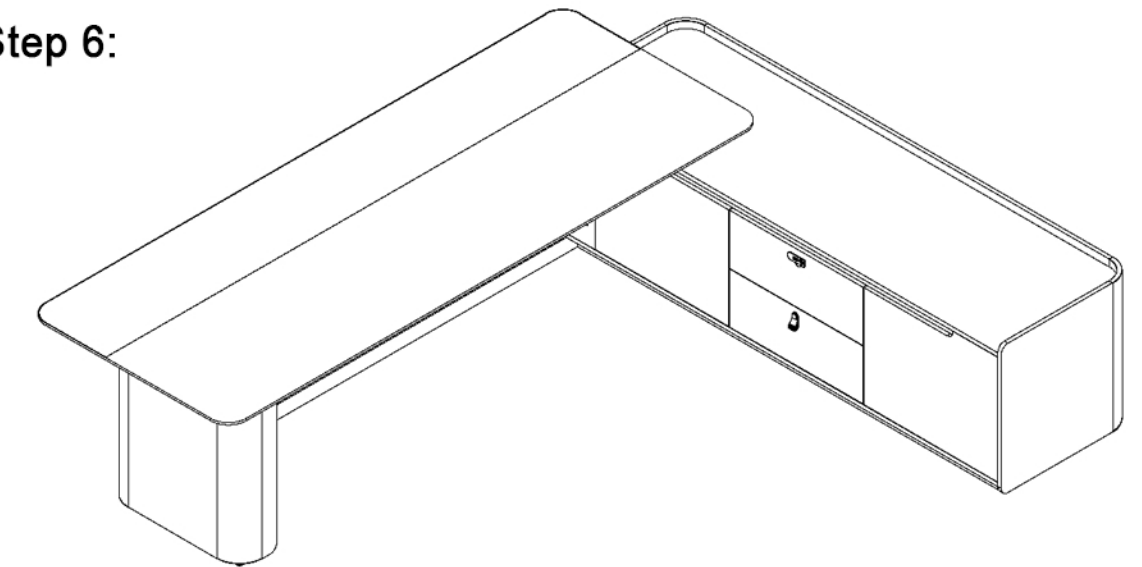
Step 4:



Step 5:



Step 6:



Second Page /
Total Two Pages

Note:

1. Place a soft protective material on the floor before installation.
2. Handle all parts with care to avoid scratches.
3. After installation, wipe clean with a towel.