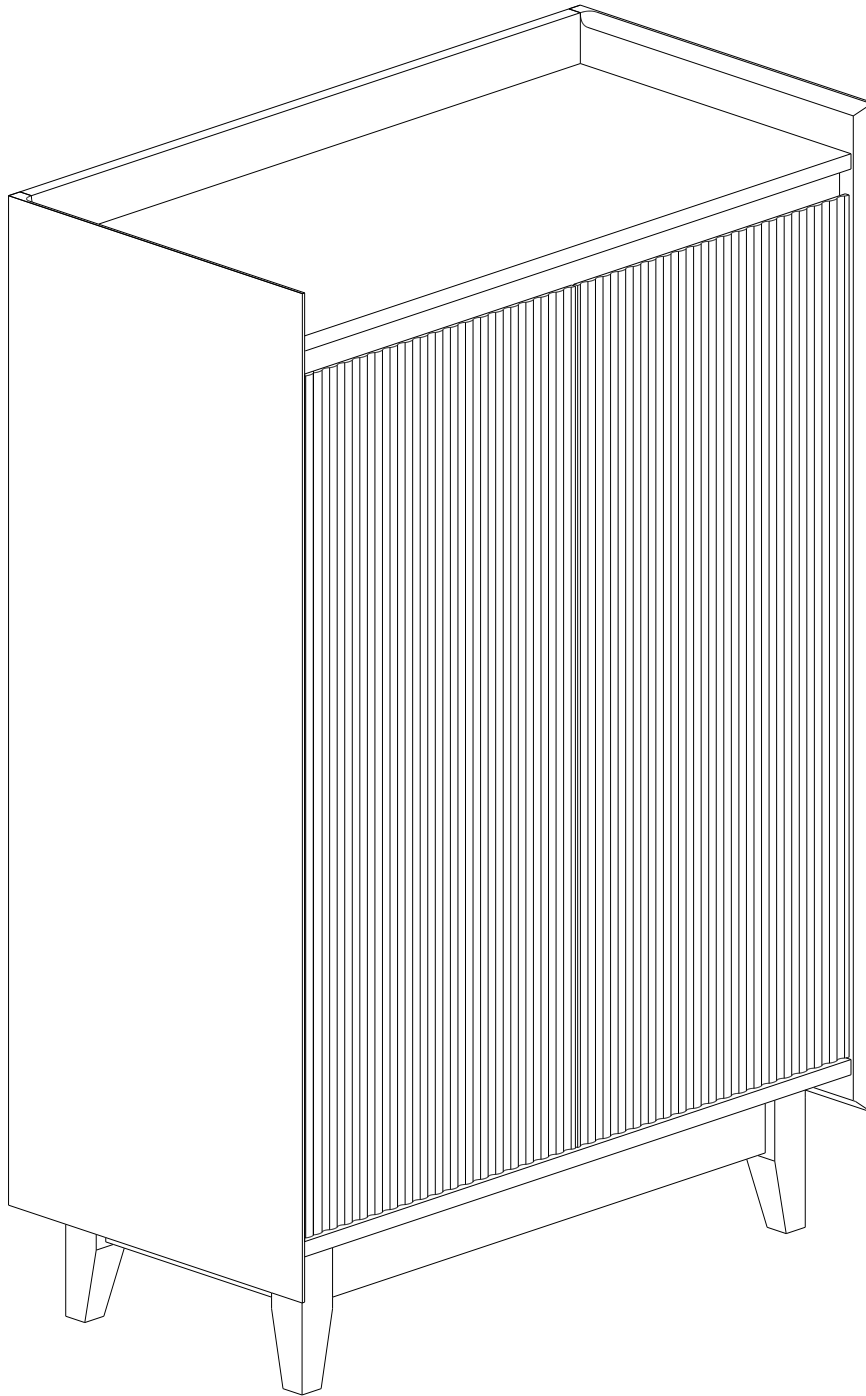


Installation & Assembly



If there are any missing parts, damaged packaging, or broken panels, please contact our after-sales email for assistance.

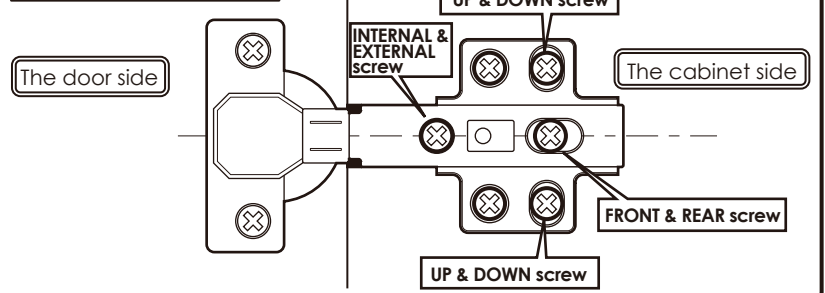
Note: To expedite the resolution of your issue, please provide your order number and relevant photos

Thank you!

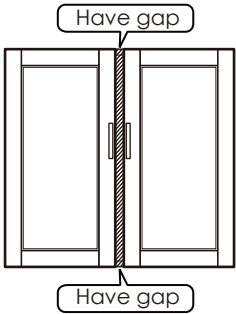
The ways to adjust the door

- Before adjusting the hinge, please check whether the cabinet is skewed.
- If the skew can not be repaired, please remove the anti-tipping device first, then adjust the cabinet to vertical position.
- Please adjust the hinge with the door open.
- Please operate it with more than 2 people, one person holds the door and the other one adjusts the screw.

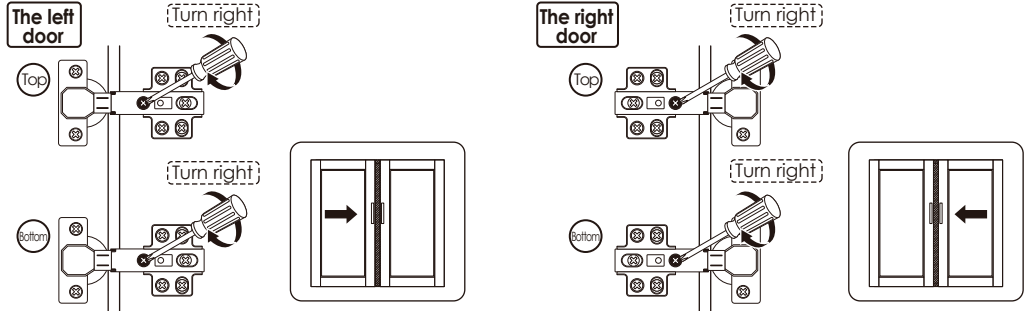
Components Name



Obvious gaps between doors or Doors don't look closed



- 1 Turn "internal & external screw" to the right can make the door approach inside. Please adjust the doors little by little.



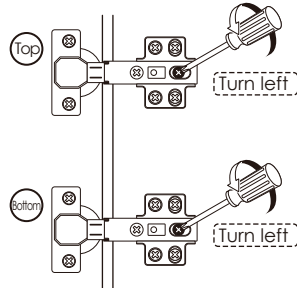
※ If the 2 doors are overlap, please turn the "internal & external screw" to the left.

When door is crooked



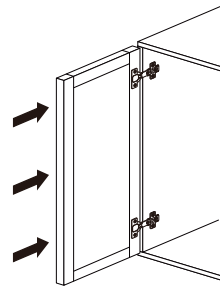
Please take the following steps to adjust first.

- 1 Rotate the "front and rear screws" to the left

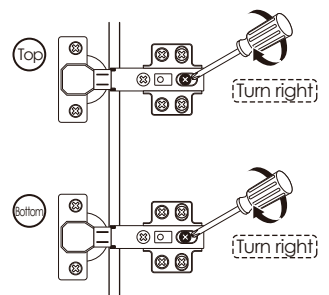


※ After adjusting the "front and rear screw", the door still does not change, please turn the "internal & external screw" to the right slightly.

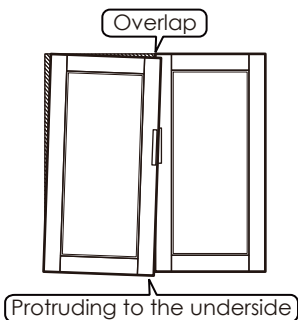
- 2 Push the door to the cabinet



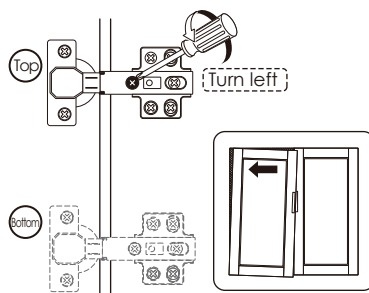
- 3 Rotate the "front and rear screws" to the right



When door is leaning



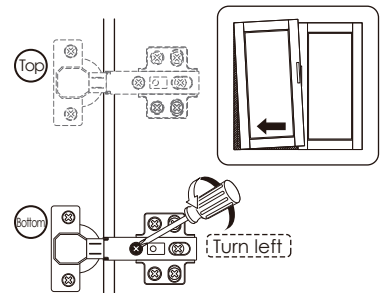
- 1 Turn "internal & external screw" to the left can make the top of the door tilted outward.



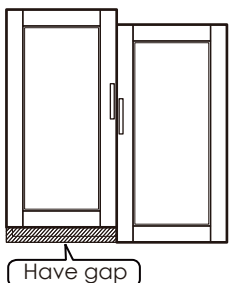
Protruding to the upside



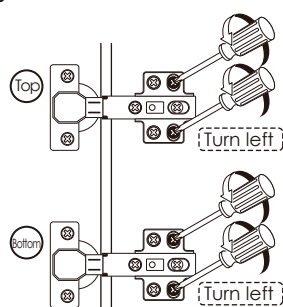
- 1 Turn "internal & external screw" to the left can make the bottom of the door tilted outward.



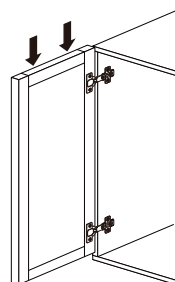
When the door is higher on top



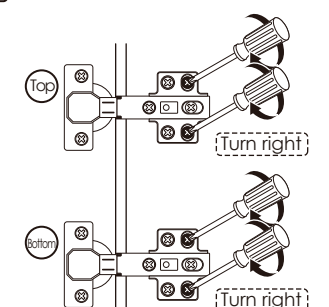
- 1 Turn "up & down screw" to the left



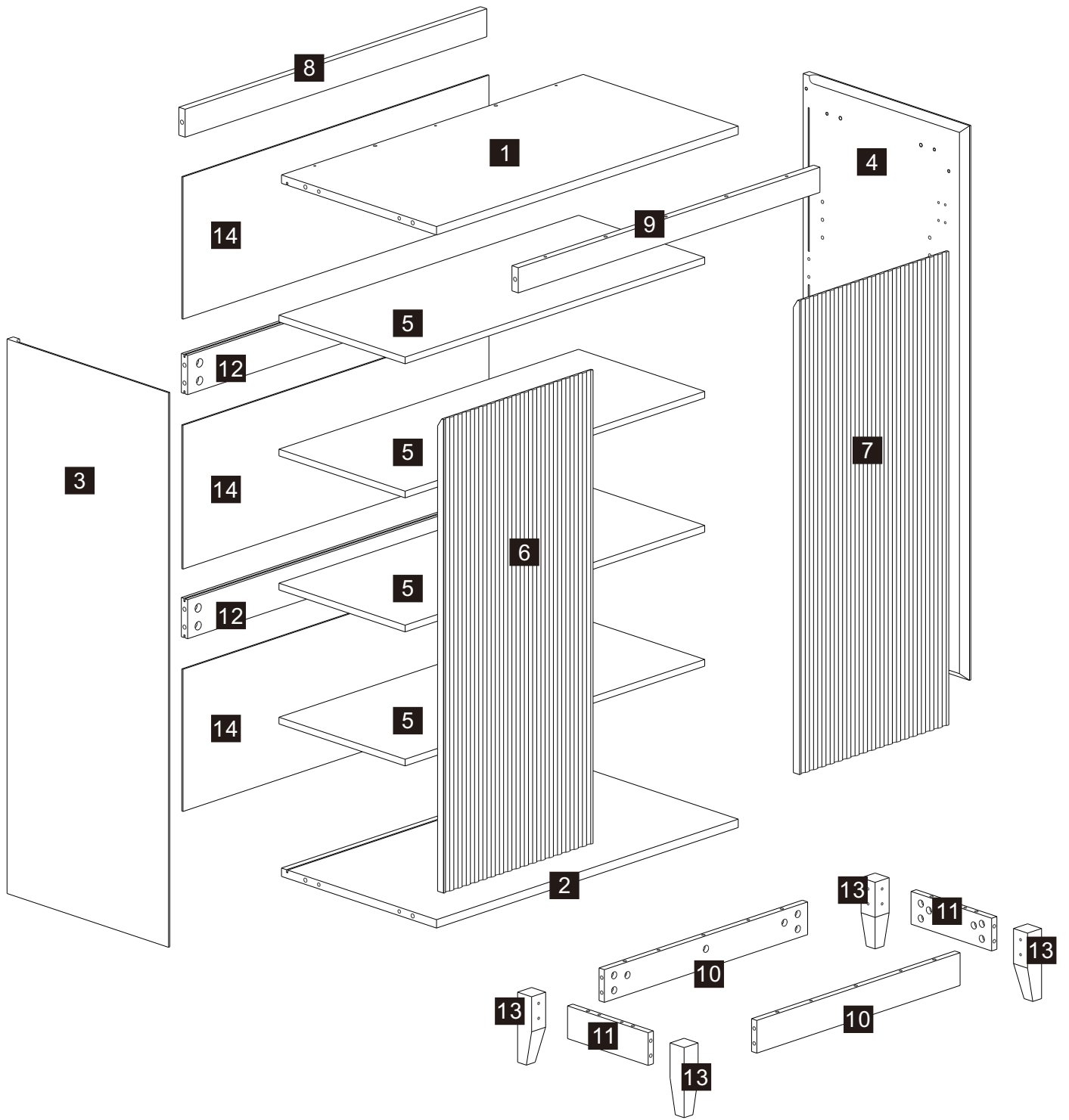
- 2 Lower the door's height so that 2 doors are of the same height.

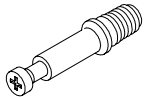
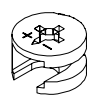

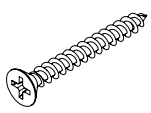
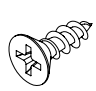
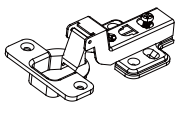

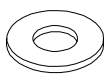
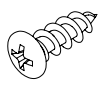
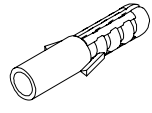


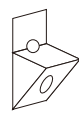


- 3 Turn "up & down screw" to the right



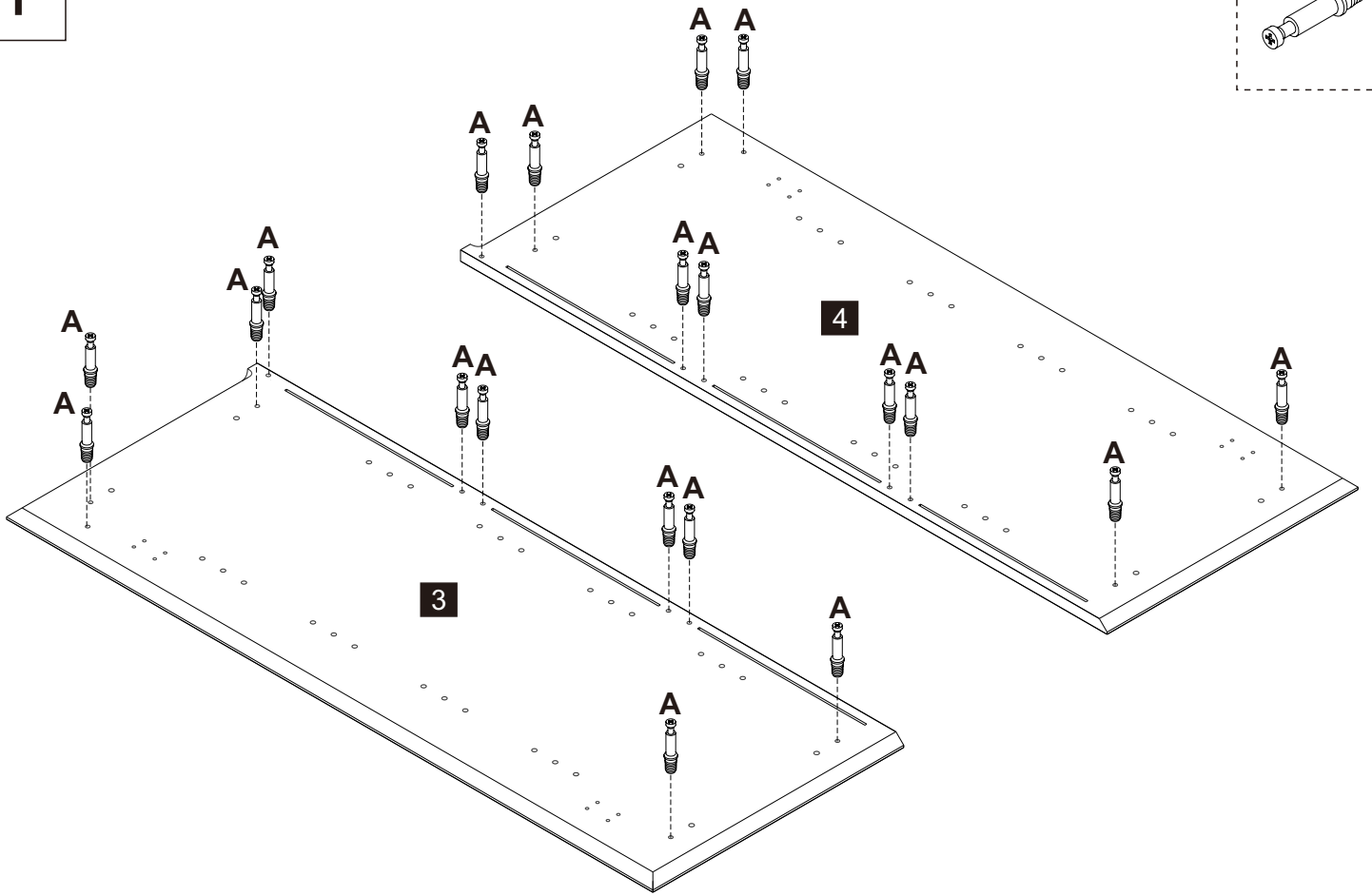
※ If the door is lower on bottom, please lift up the left door slightly on step 2



A x46 	B x46 	C x20 	D x 7 	F x24 	G x 4 	H x 1 
I x 2 	J x 1  4x12mm	K x 1 	L x16 +4 (spare) 	M x12  3x14mm	N x12 	

1

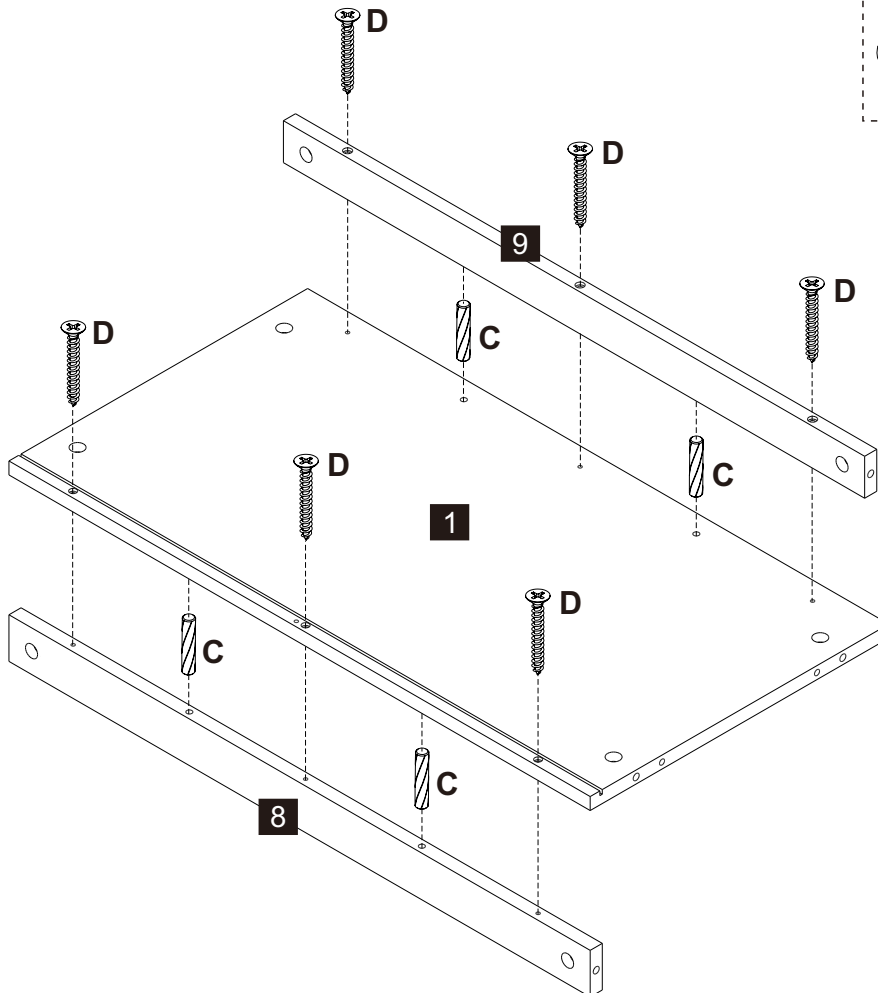
A x20



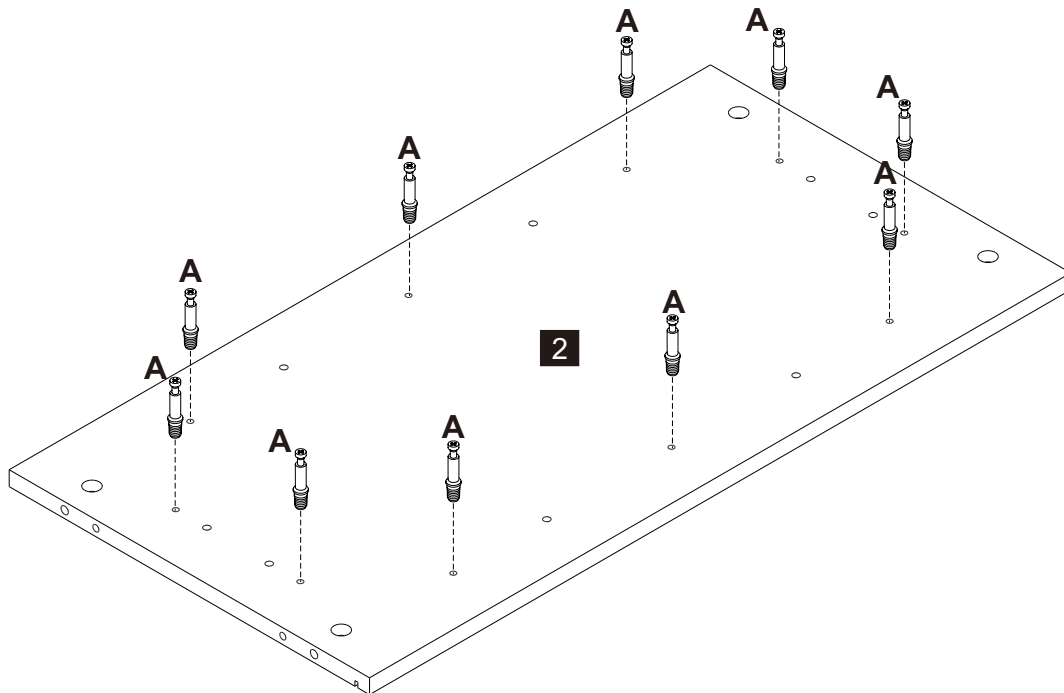
2

C x 4

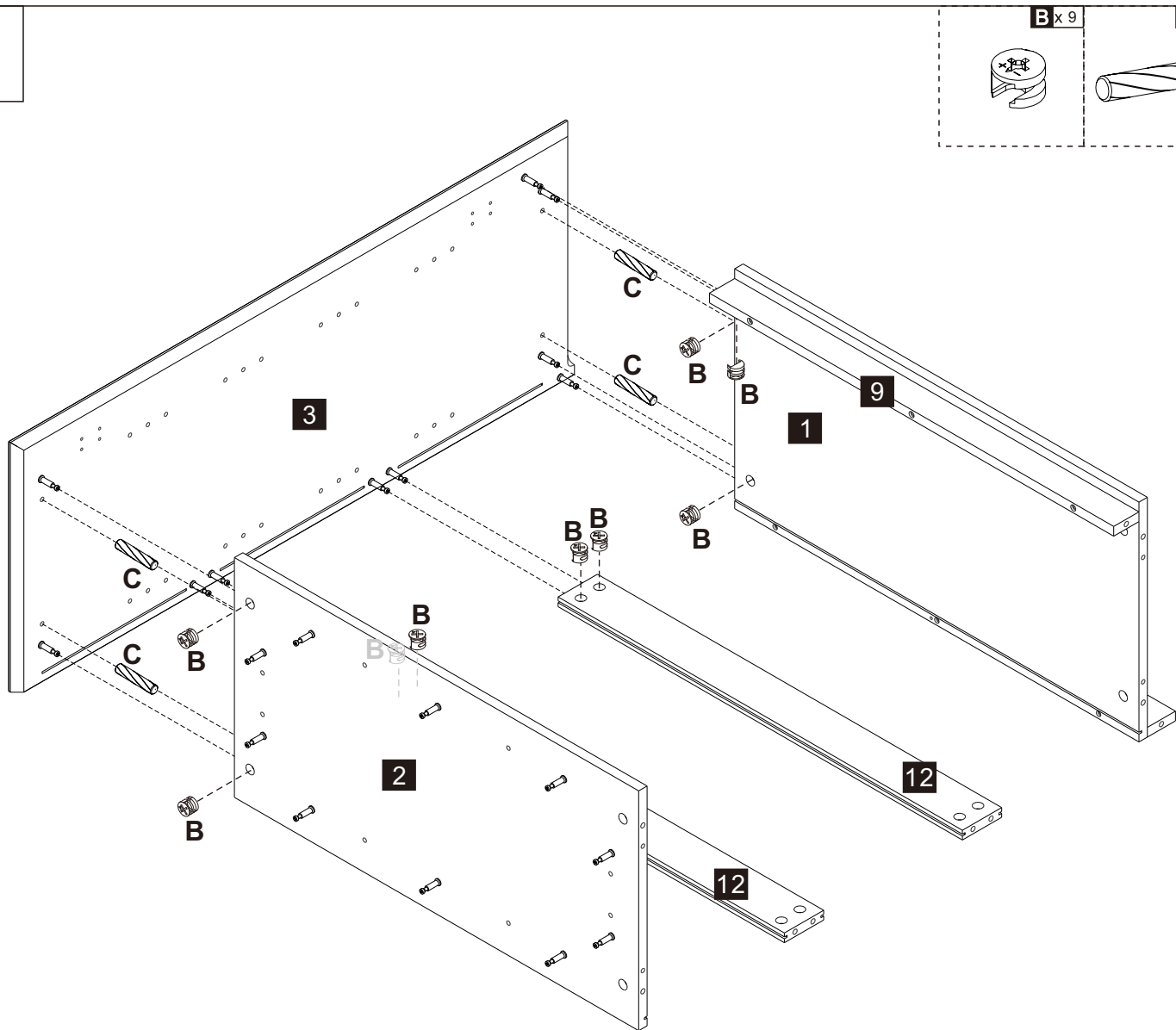
D x 6



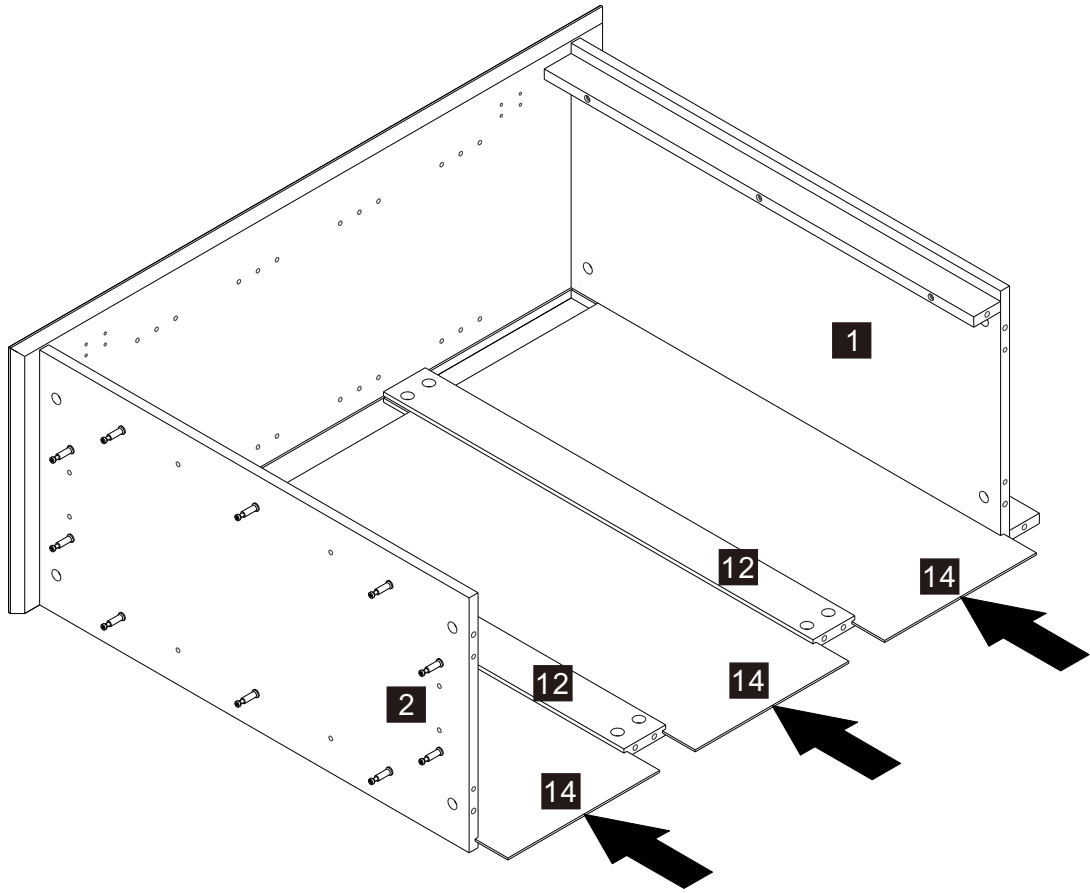
3



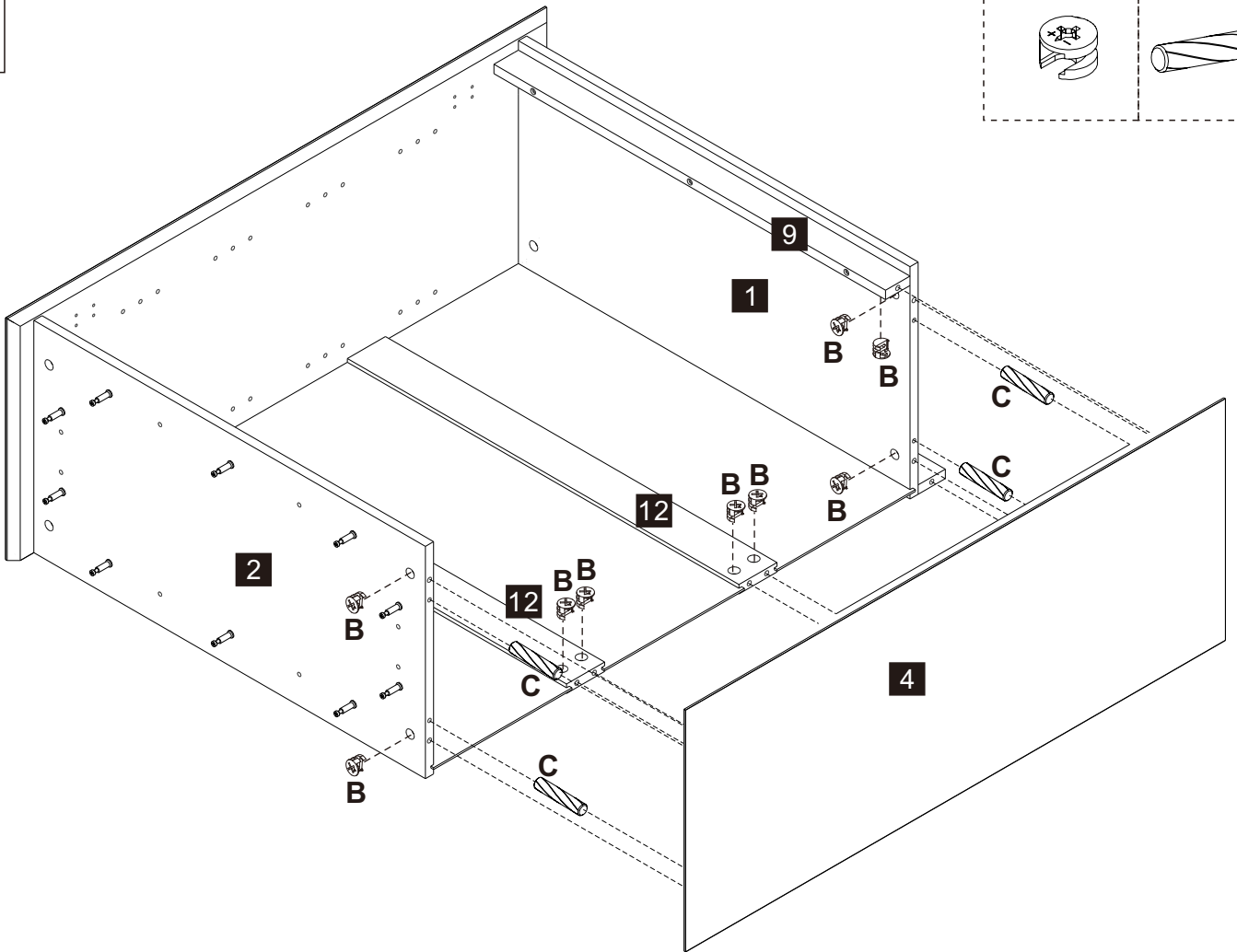
4



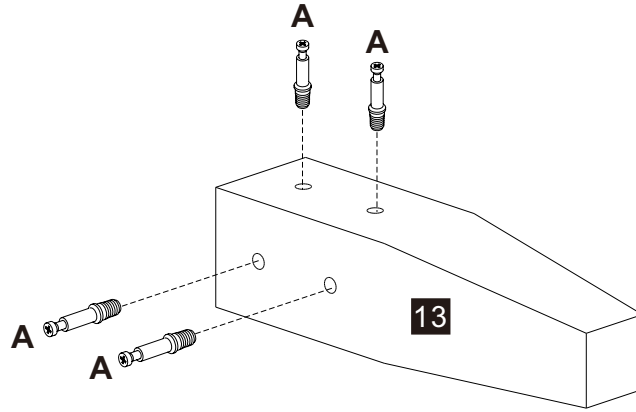
5



6



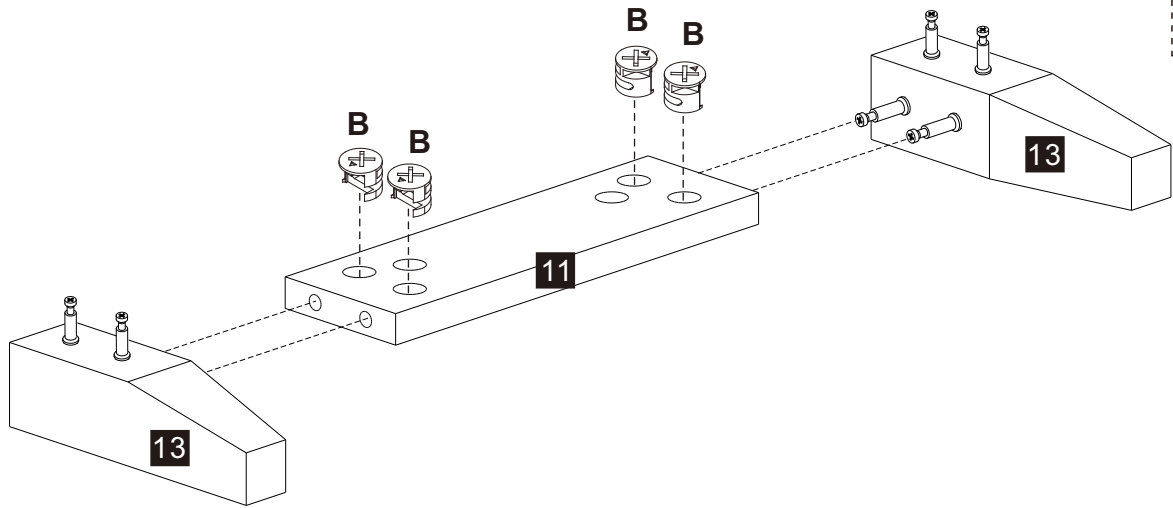
7



A x16

x4

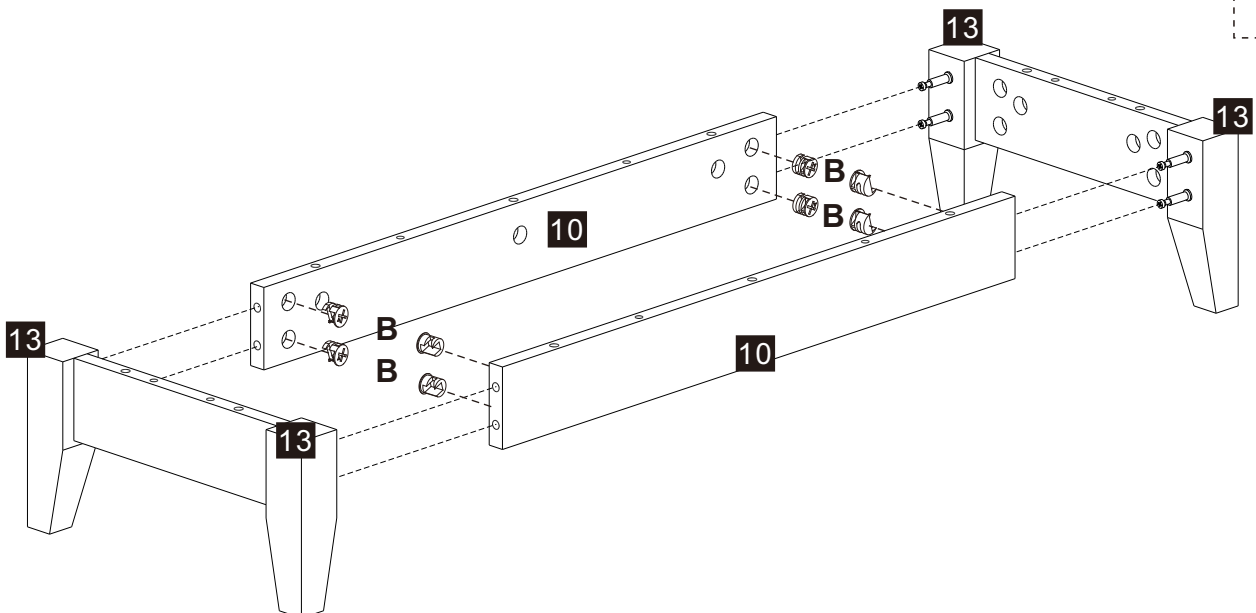
8



B x 8

x2

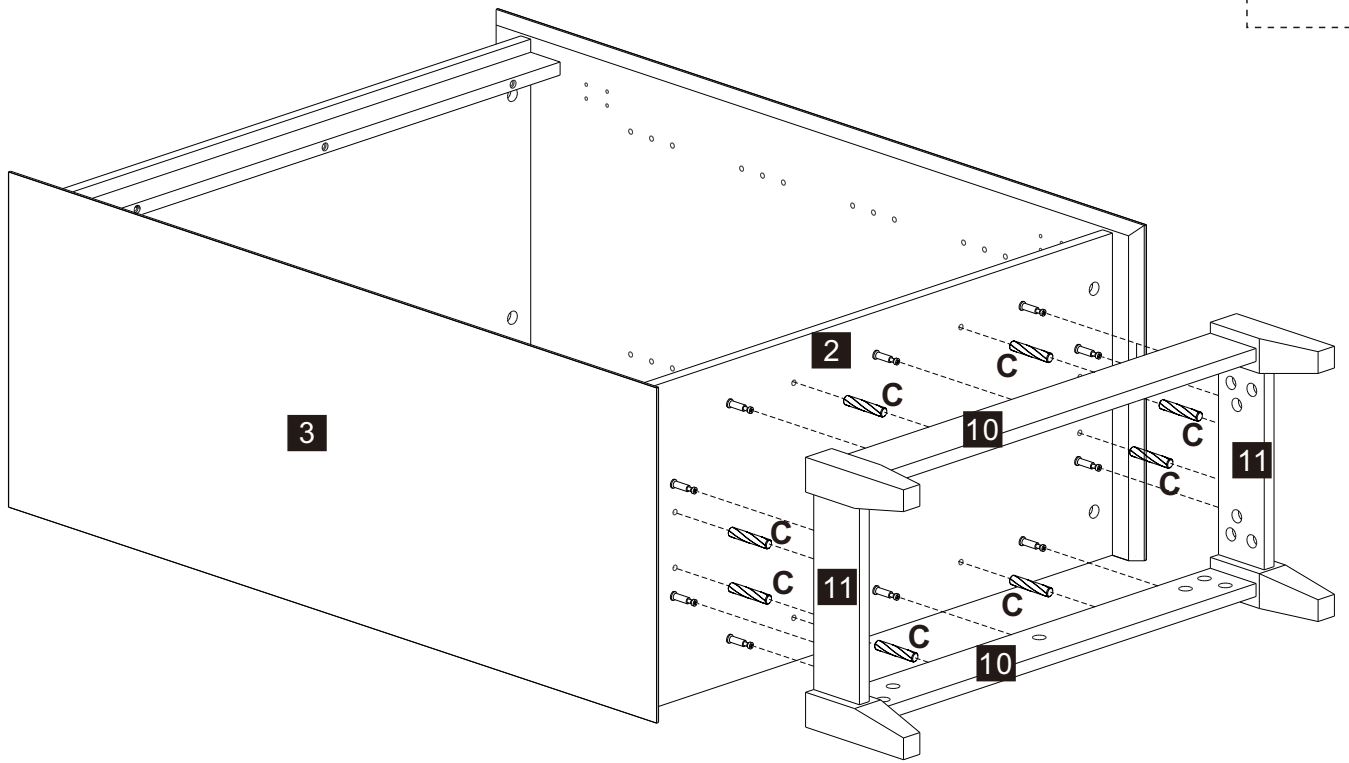
9



B x 8

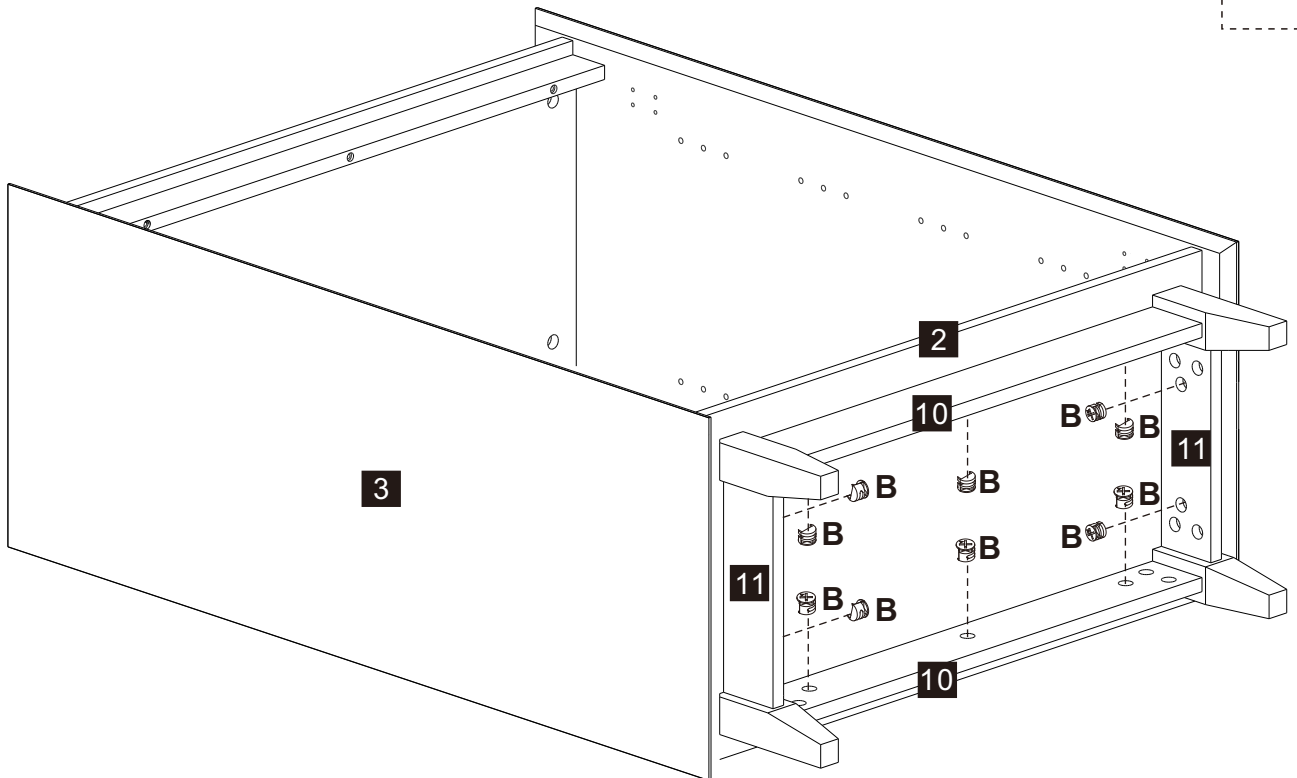
10

C x 8



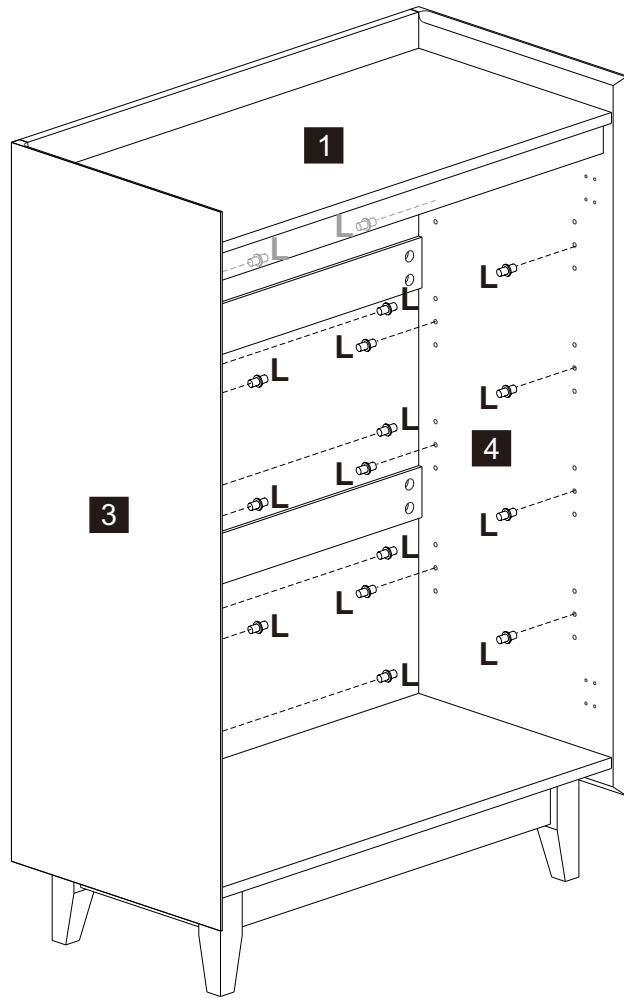
11

B x 10

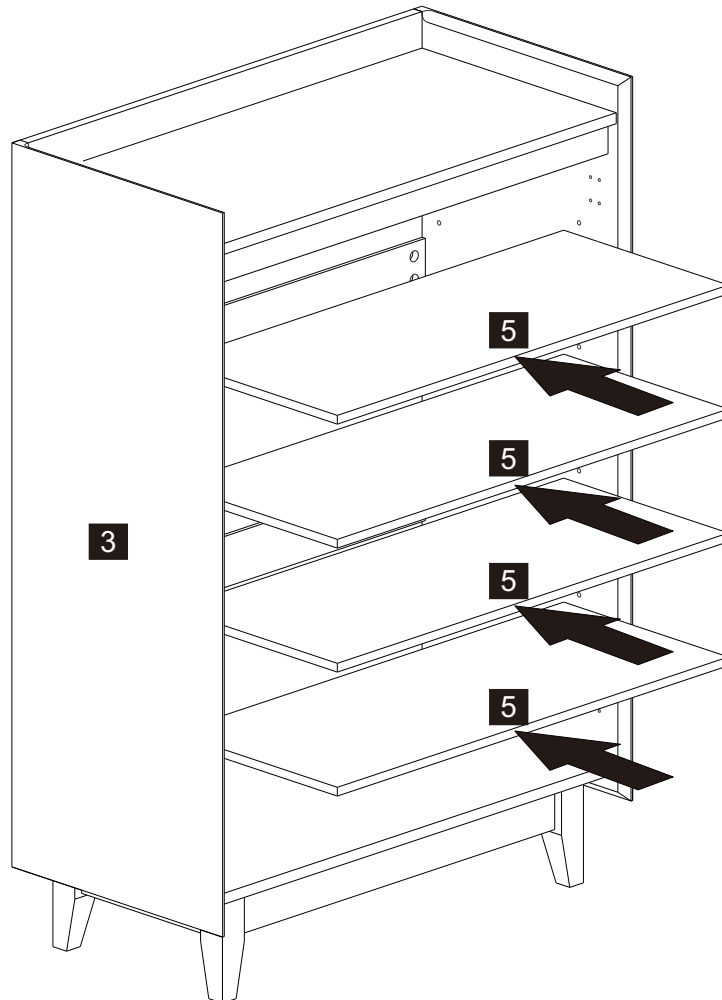


12

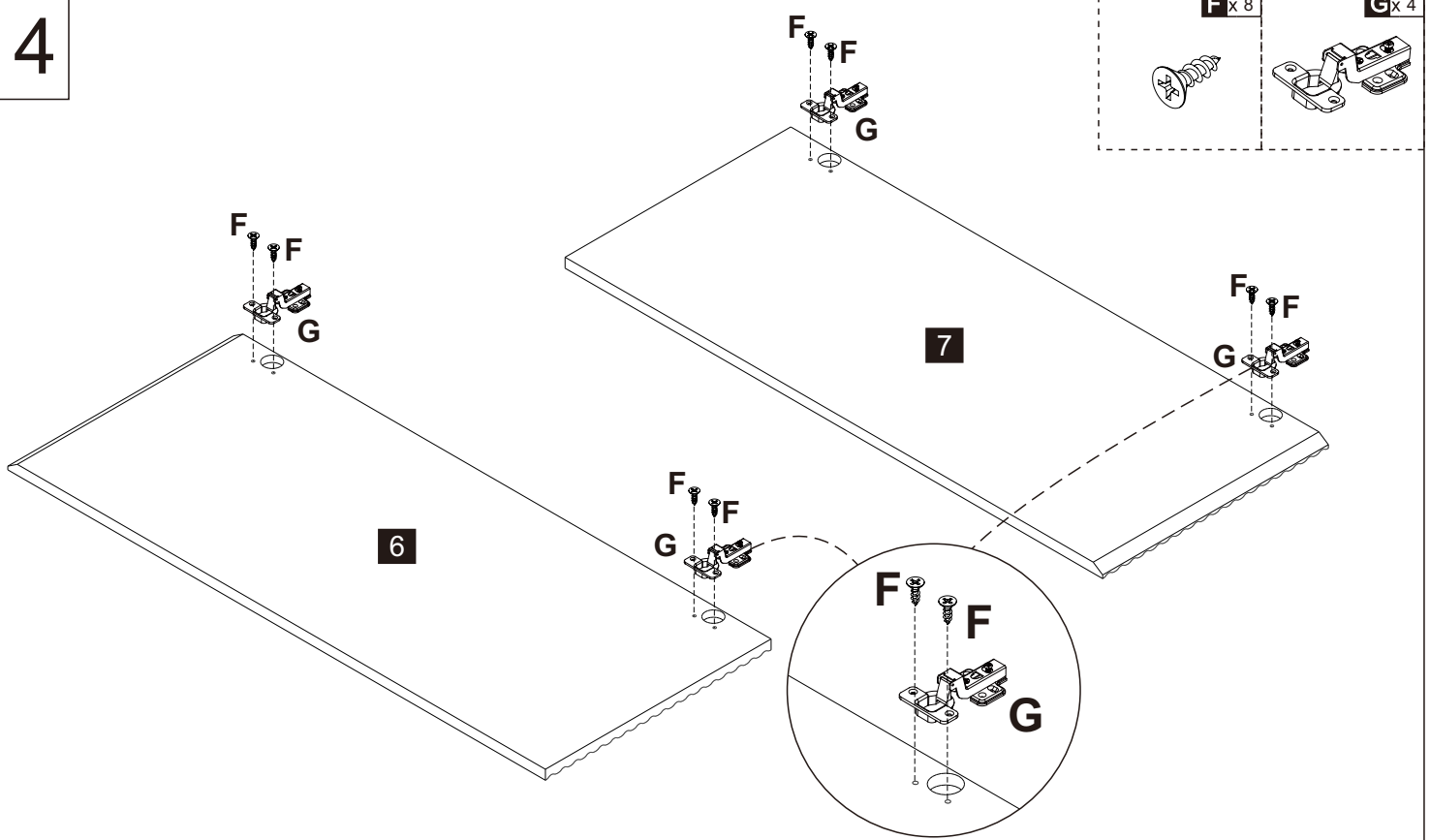
L x16



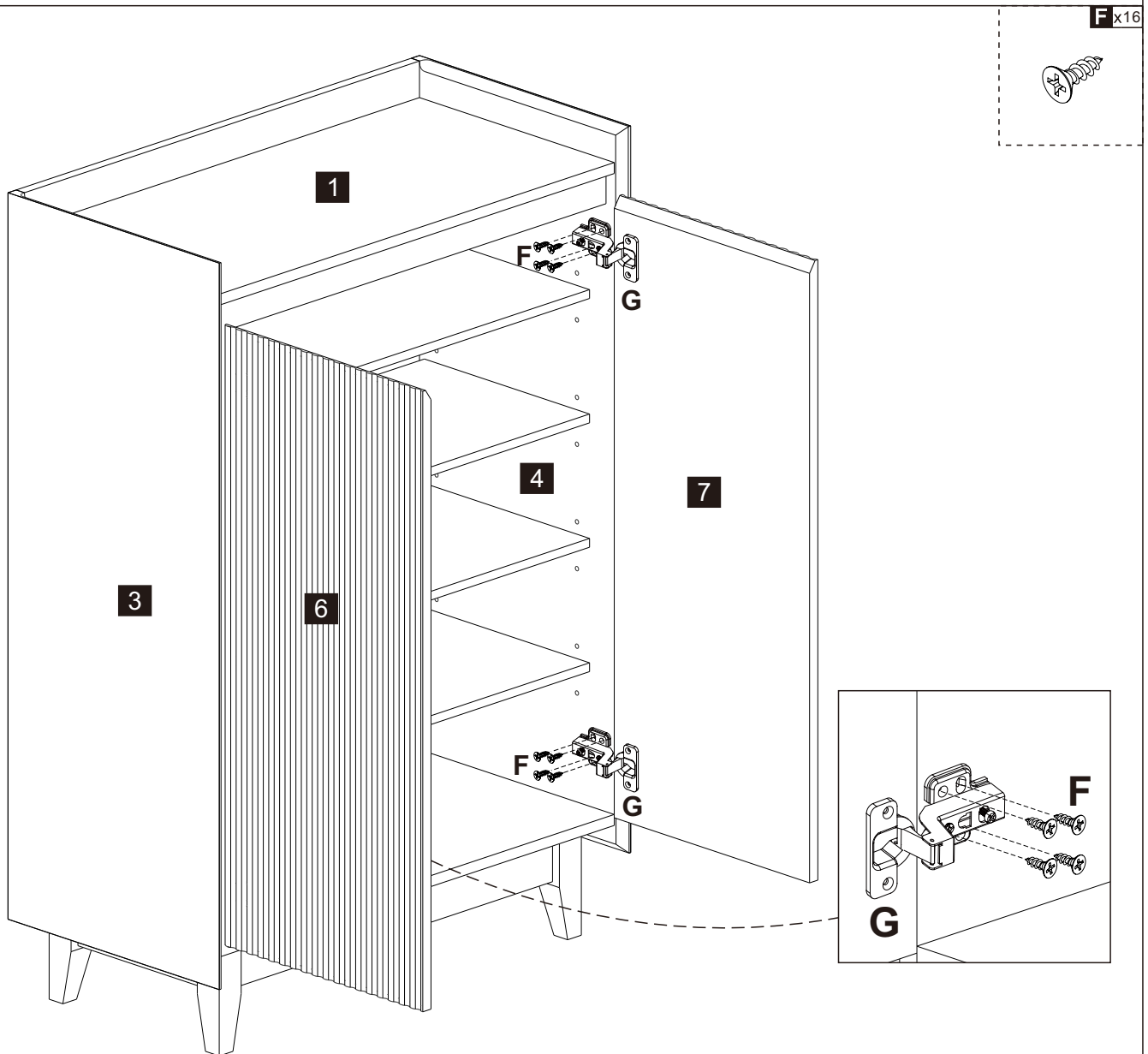
13

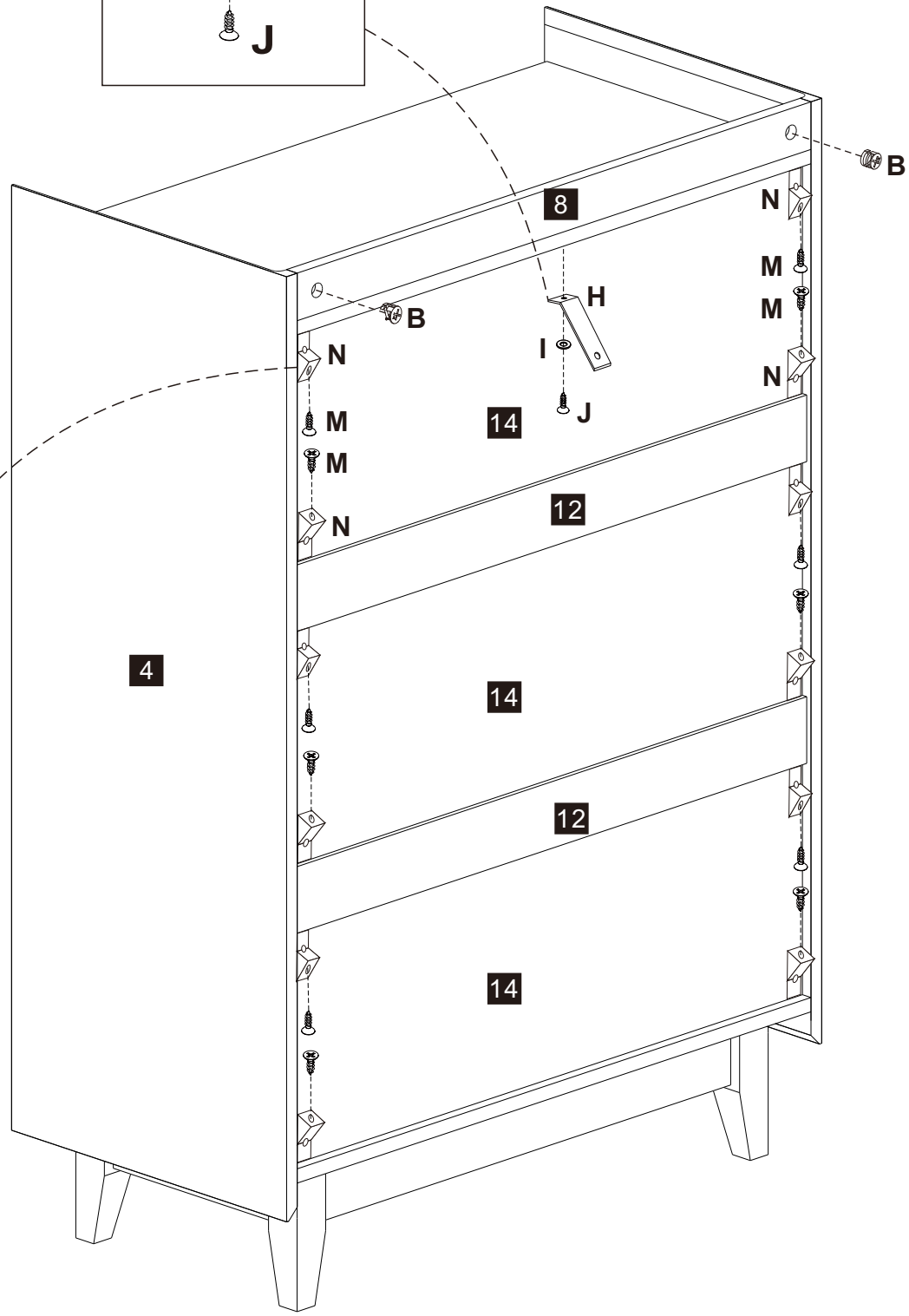
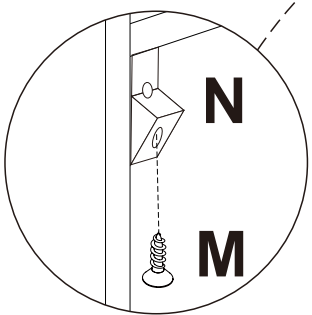
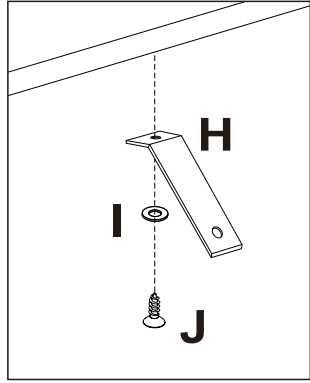
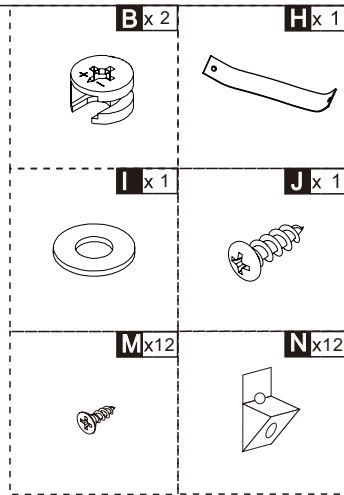


14



15





17

WALL

