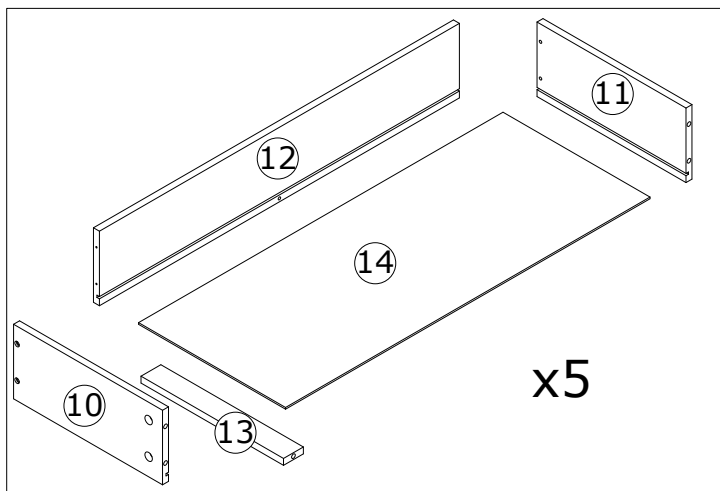
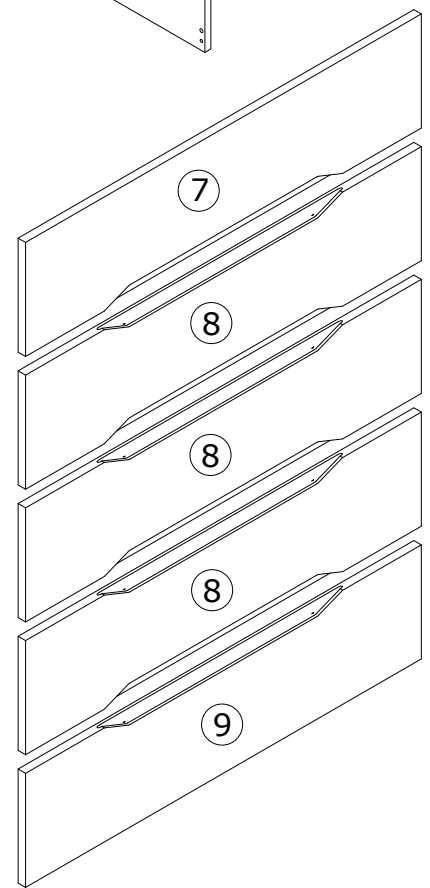
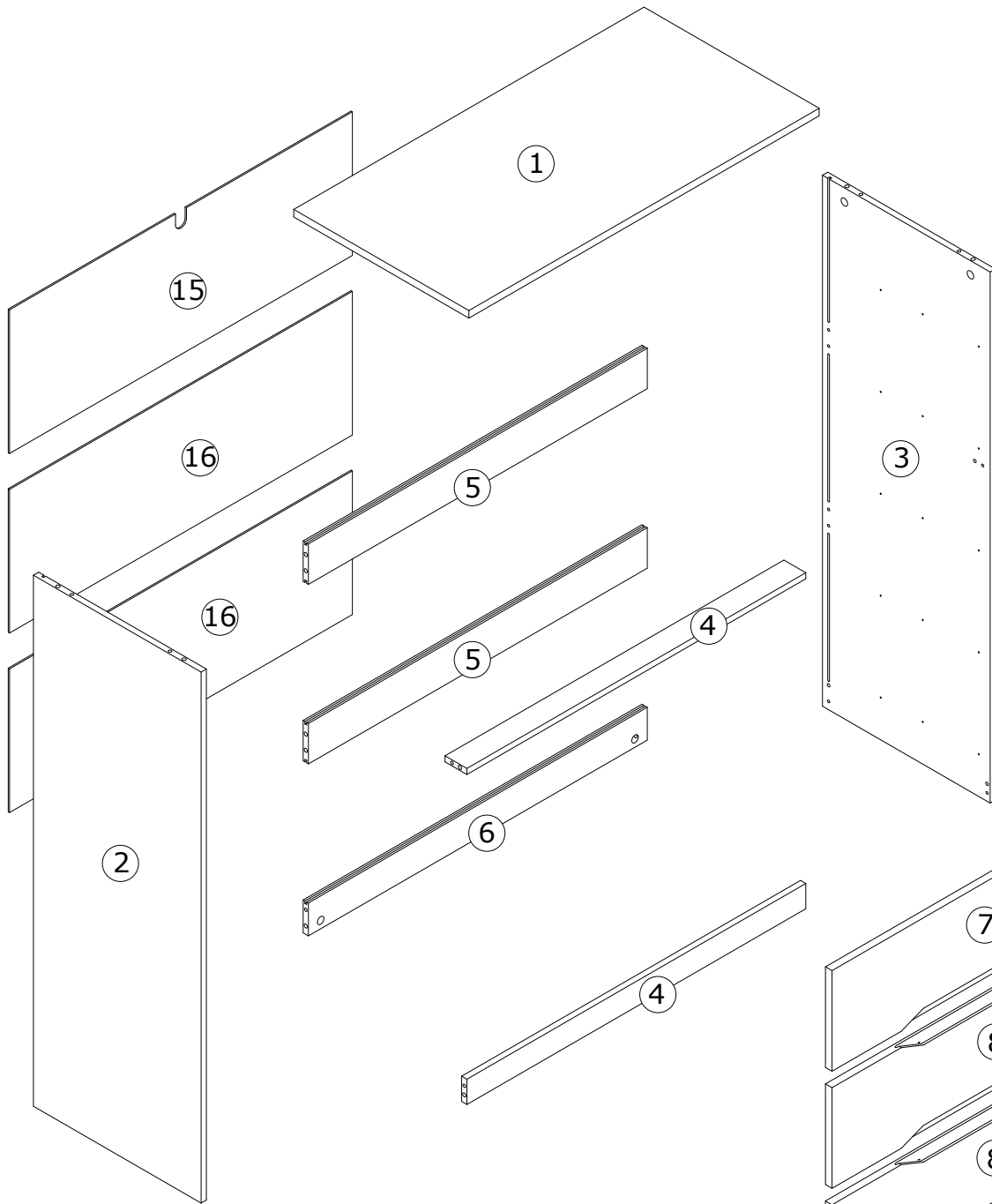
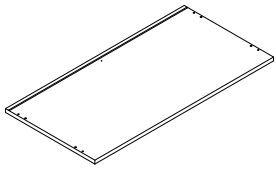
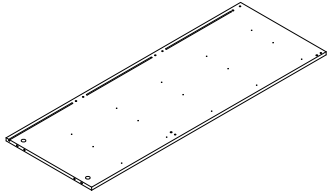
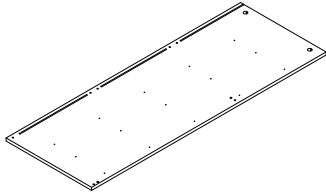
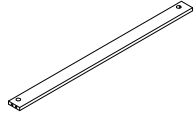
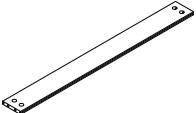
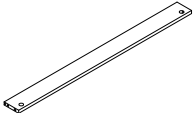
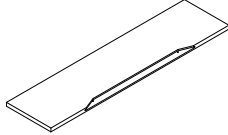
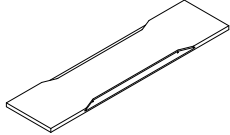
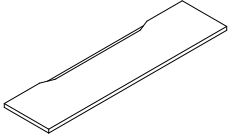
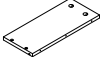
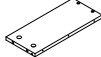
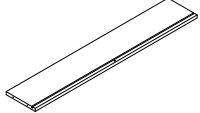

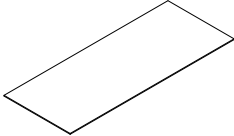
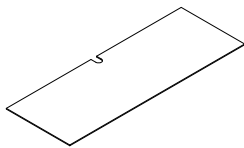
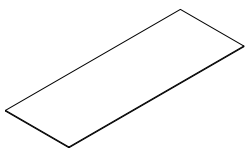


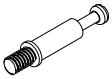






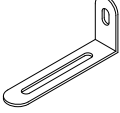


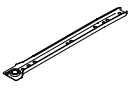
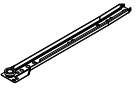
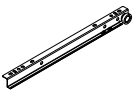
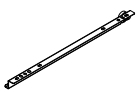
Installation instruction



Parts and Operation Elements

			
① 1pc	② 1pc	③ 1pc	④ 2pcs
			
⑤ 2pcs	⑥ 1pc	⑦ 1pc	⑧ 3pcs
			
⑨ 1pc	⑩ 5pcs	⑪ 5pcs	⑫ 5pcs
			
⑬ 5pcs	⑭ 5pc	⑮ 1pc	⑯ 2pc

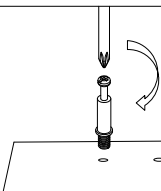
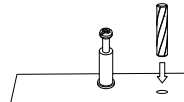
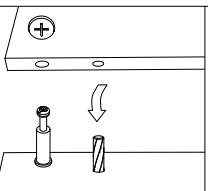
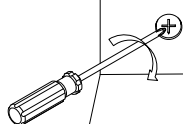
Hardware

							
Cam bolt		Cam lock		Wood dowel Ø6 x 30mm		Ø4 x 35mm screw	
A	43+4pcs	B	43+4pcs	C	10+1pcs	D	26+3pcs
							
Ø3 x 12mm screw		Back bracket		Ø3 x 14mm screw		L wall fixing	
E	60+4pcs	F	12+1pcs	G	12+1pcs	H	1pc
							
Ø4 x 12mm screw		30mm wall plug		300mm		300mm	
J	1pc	K	1pc	CL	5pcs	CR	5pcs
							
300mm		300mm					
DL	5pcs	DR	5pcs				

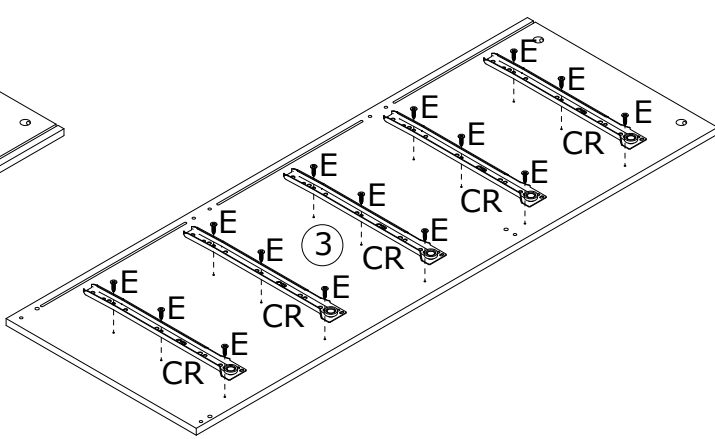
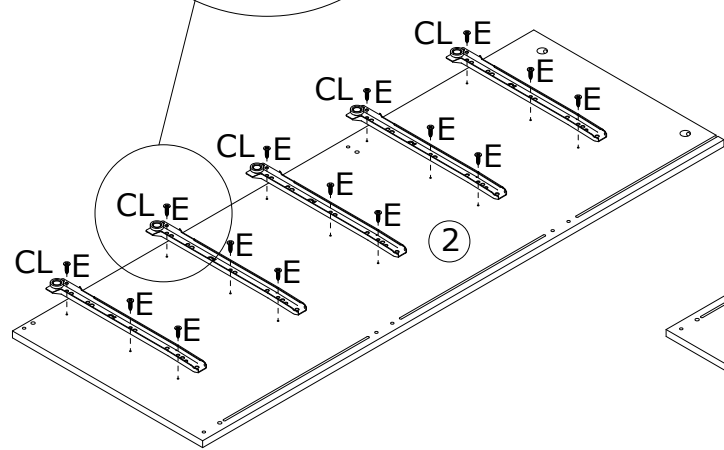
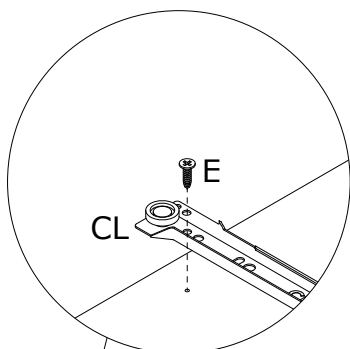
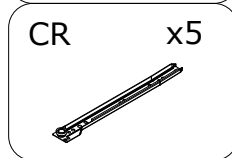
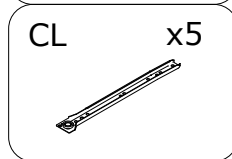
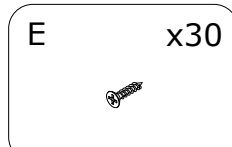
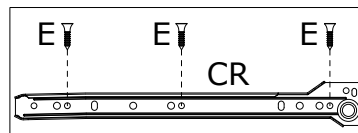
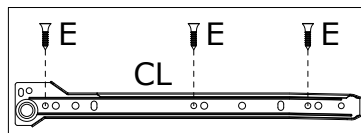


SPARE BAG

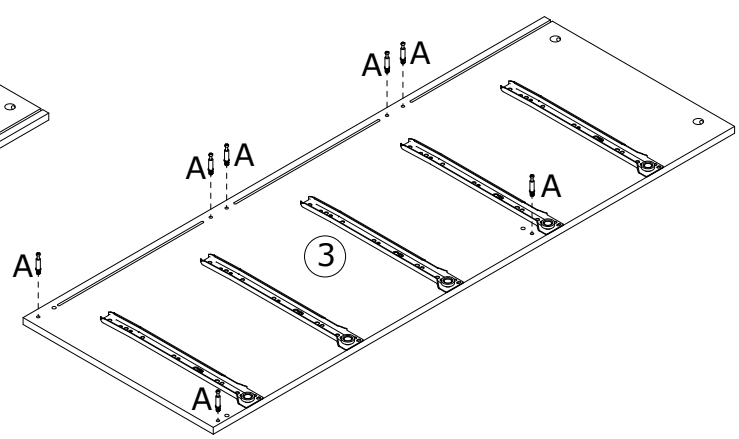
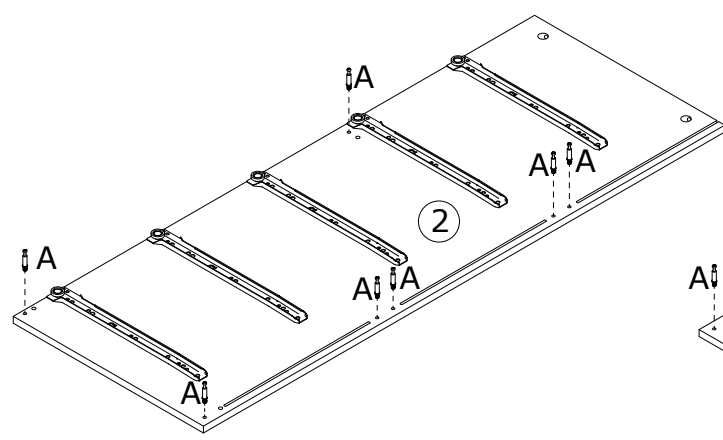
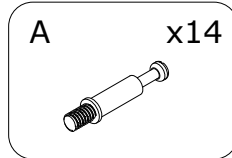
THE SPARE BAG INCLUDED EXTRA HARDWARE FOR DAMAGED OR MISSING SMALL HARDWARE WHILE YOU ARE ASSEMBLING

		Arrow must face hole 	
Gently screw cam bolt into the threaded anchor.	Insert the wood dowel halfway into hole.		Screw the camlock firmly into locked position.

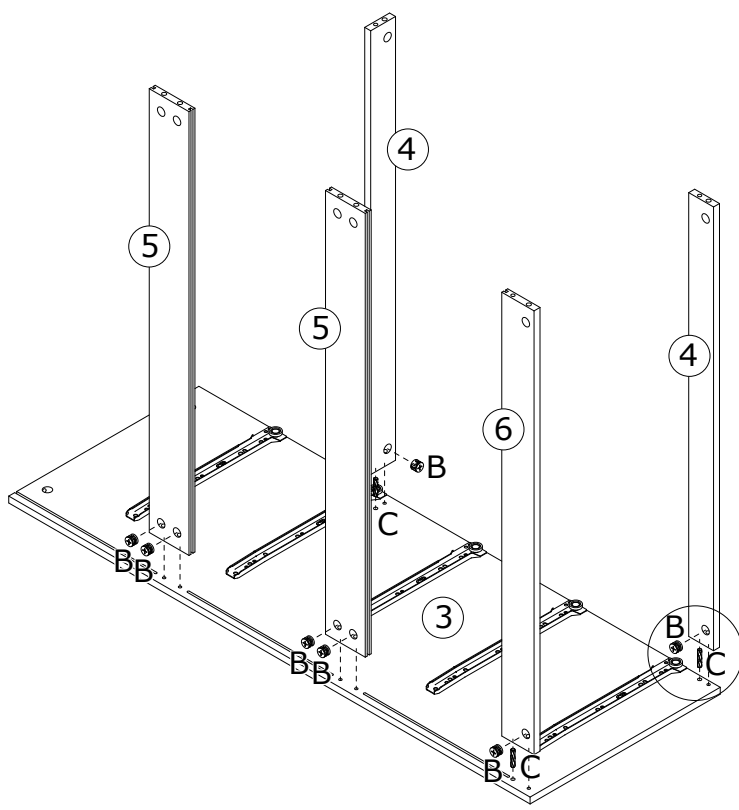
1



2



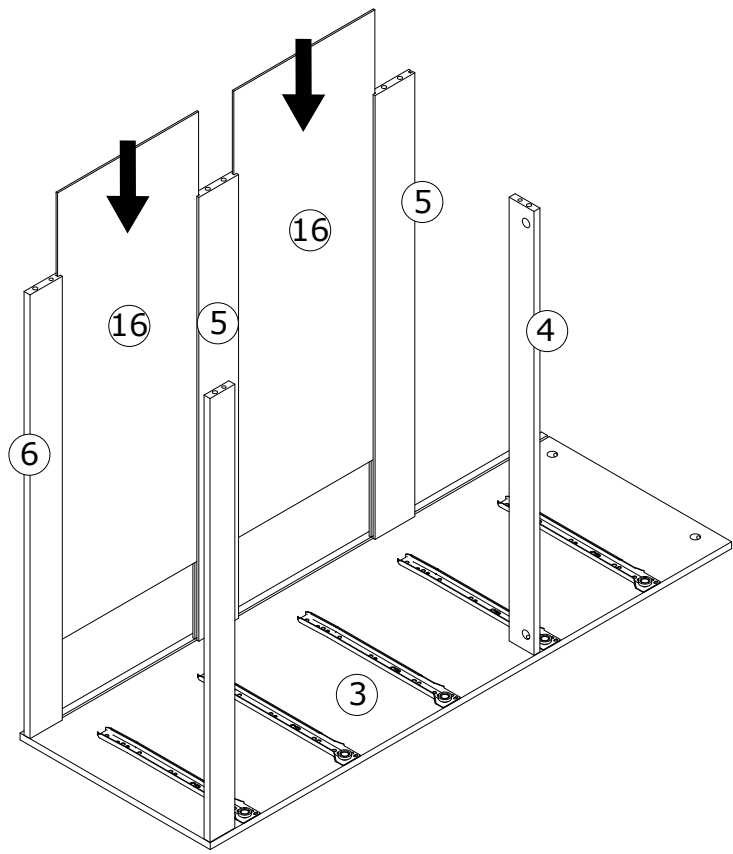
3



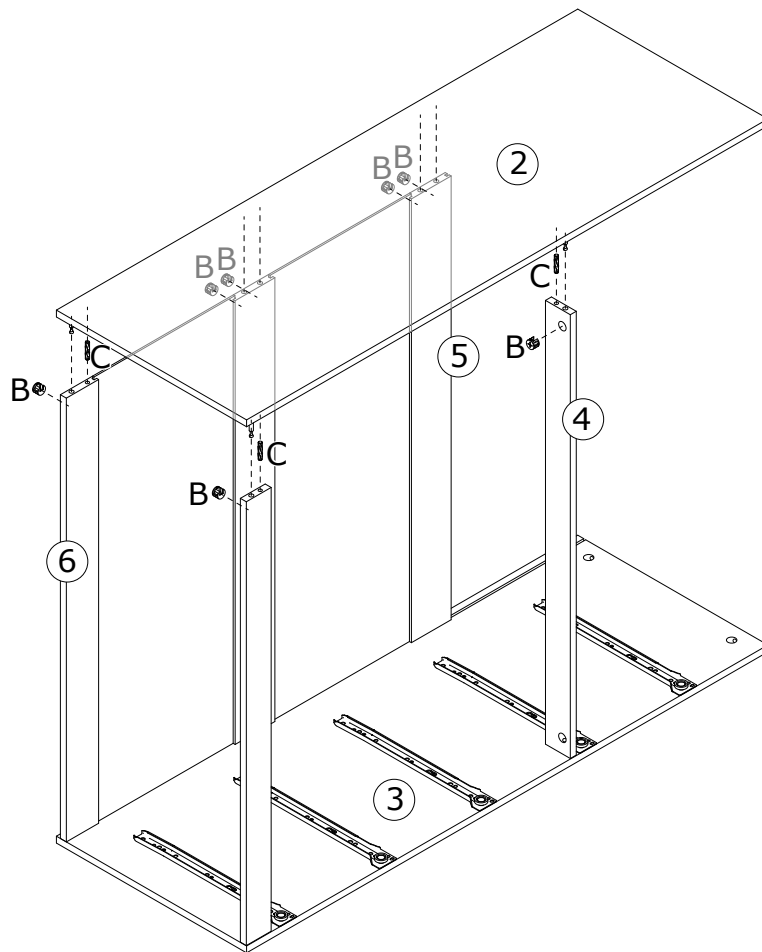
B x7

C x3

4



5



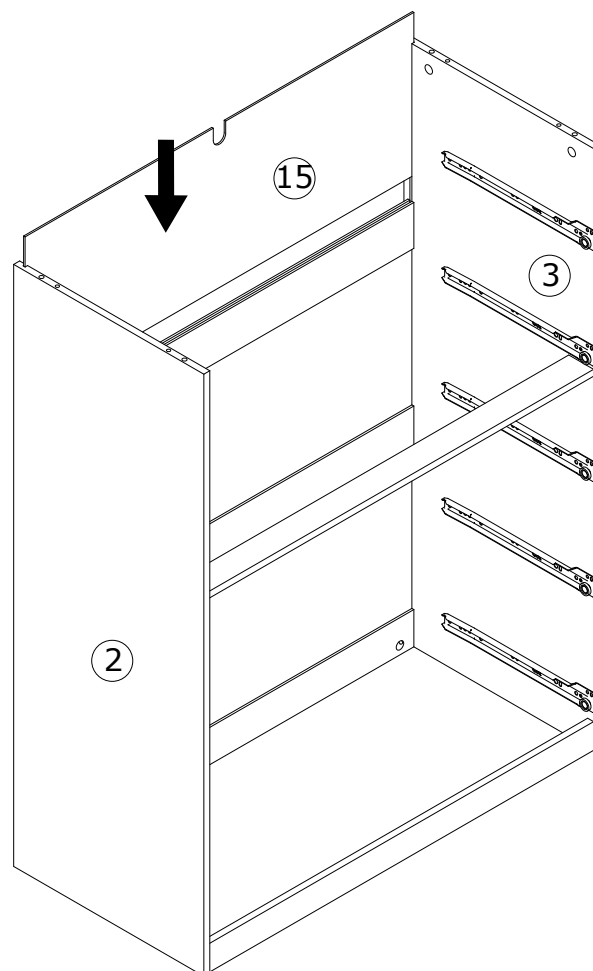
B x7



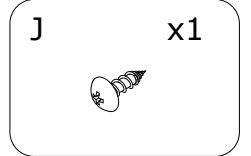
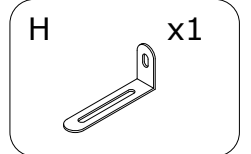
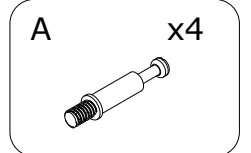
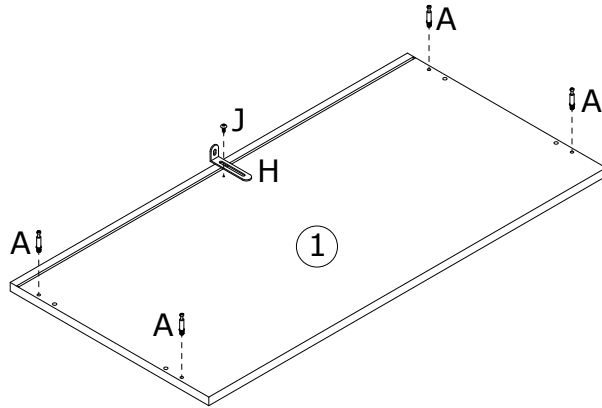
C x3



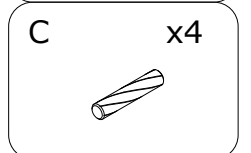
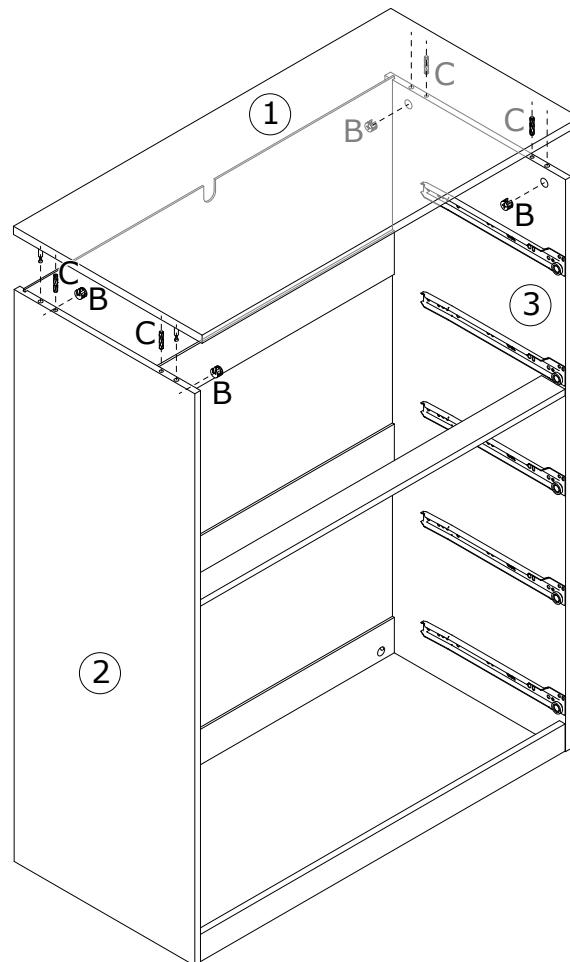
6



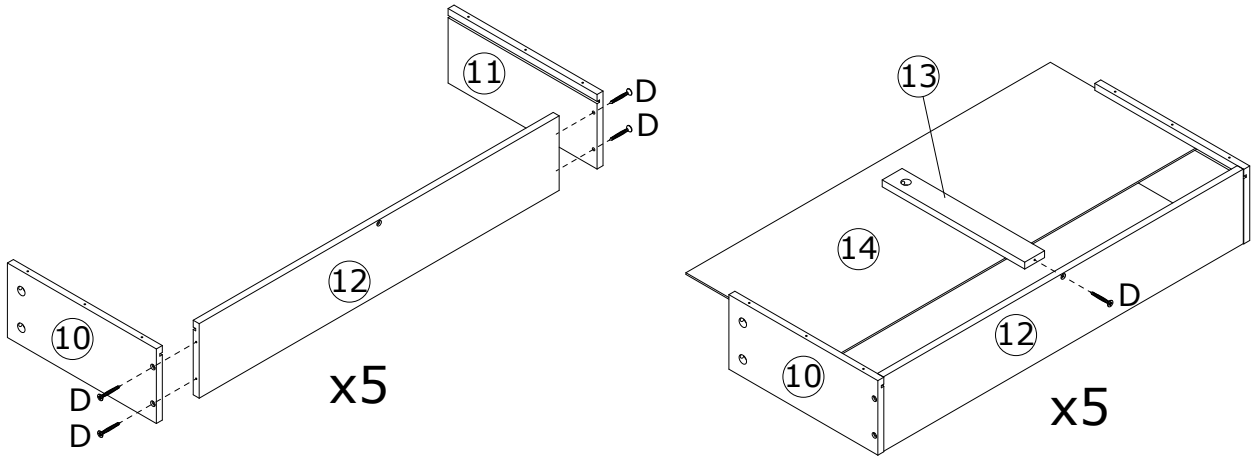
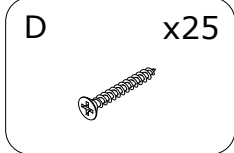
7



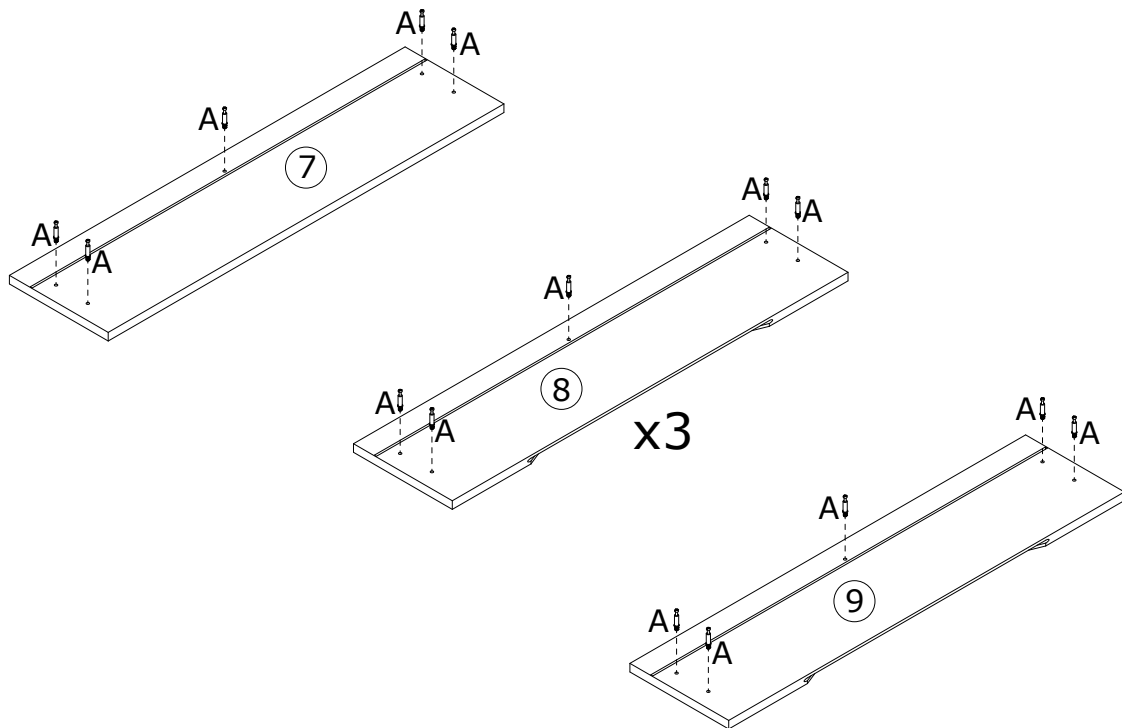
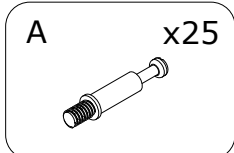
8

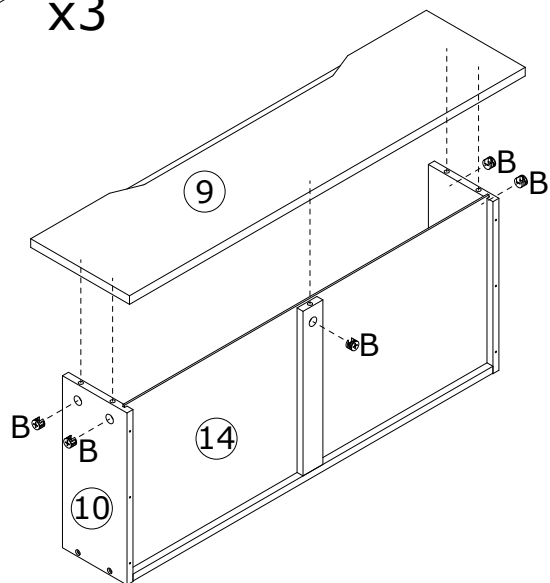
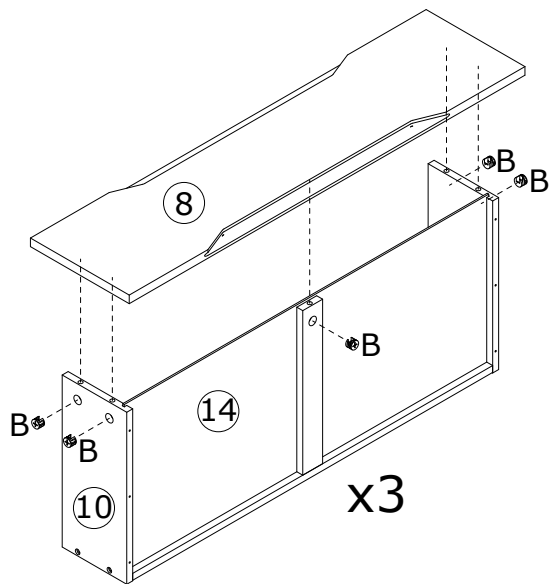
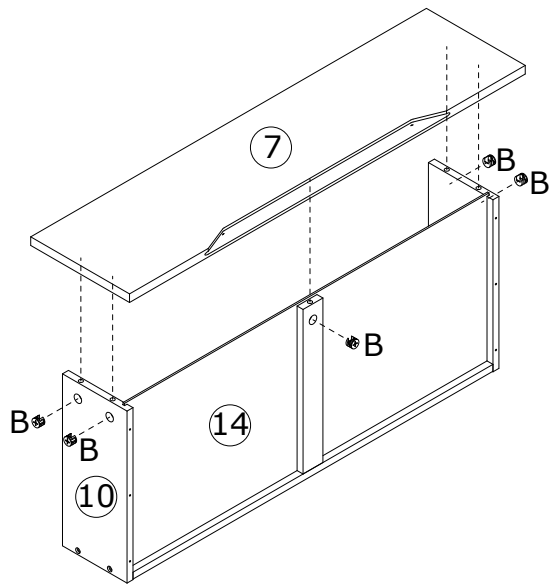


9

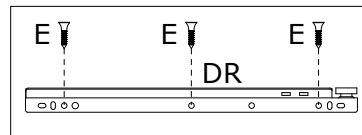
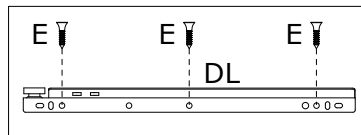


10





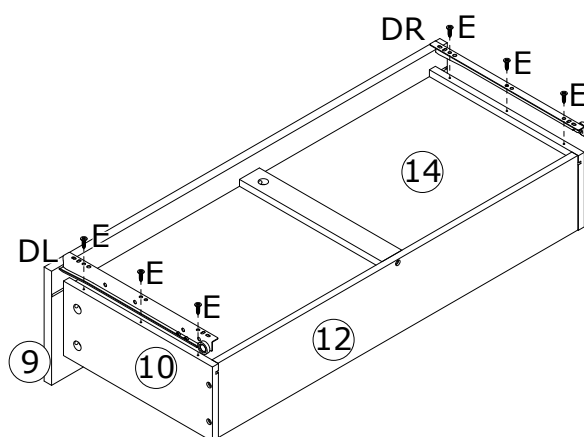
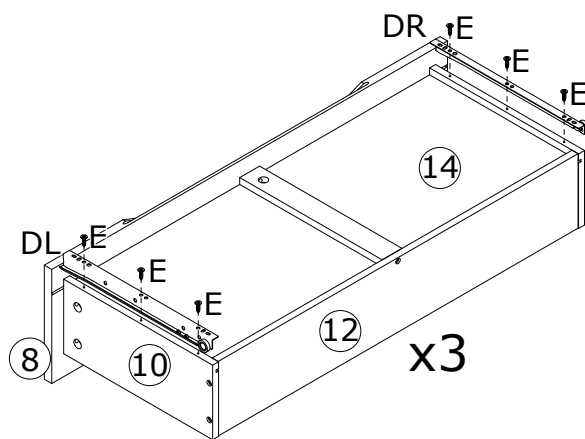
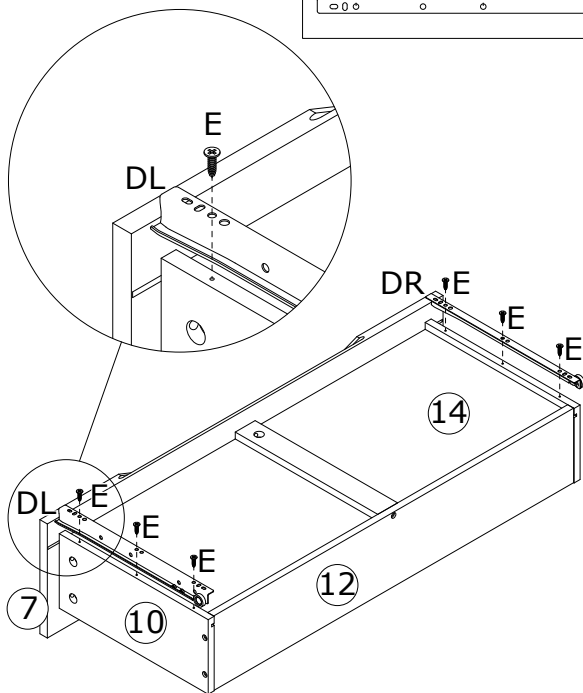
12



E x30

DL x5

DR x5

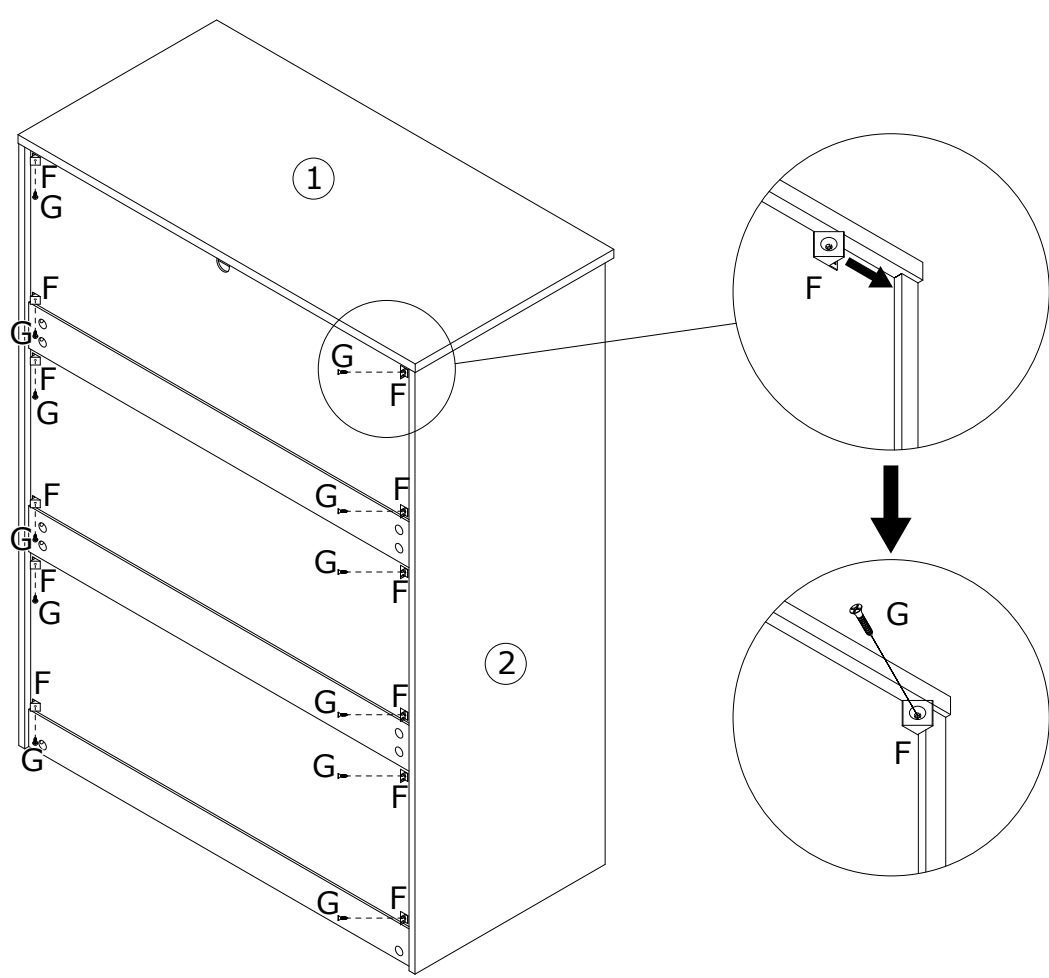


13

F x12



G x12



14

