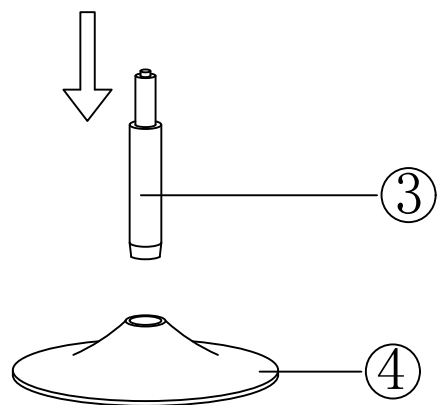
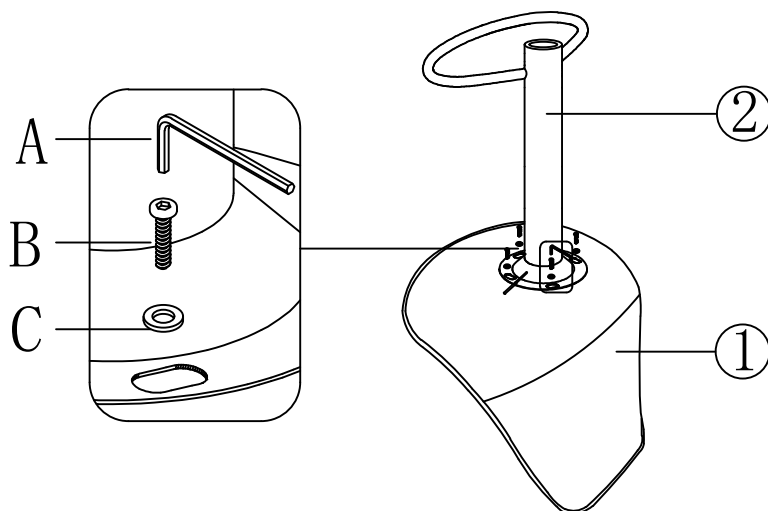


# ASSEMBLY INSTRUCTION

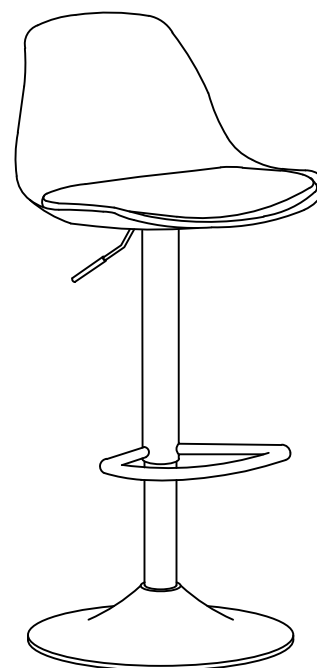
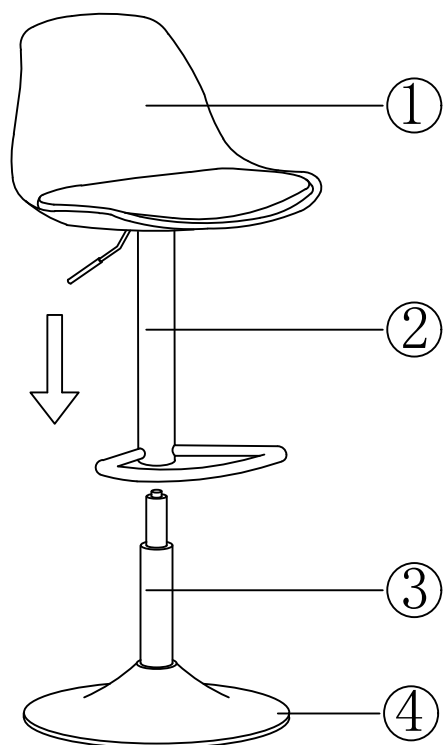
## STEP 1



## STEP 2






## STEP 3



DI-113-1

### Hardware watches

A	4mm Allen Key		1pc
B	M6*15mm Allen Bolt		4pcs
C	Φ16*1.2 Washer		4pcs

### Parts List

①	Back and seat	385*380*265mm	1	PP plastic+PU Leather
②	Metal Connection	220*290*360mm	1	metal
③	Lift frame	Ø50*510~720mm	1	metal
④	Base	Ø385*80mm	1	metal