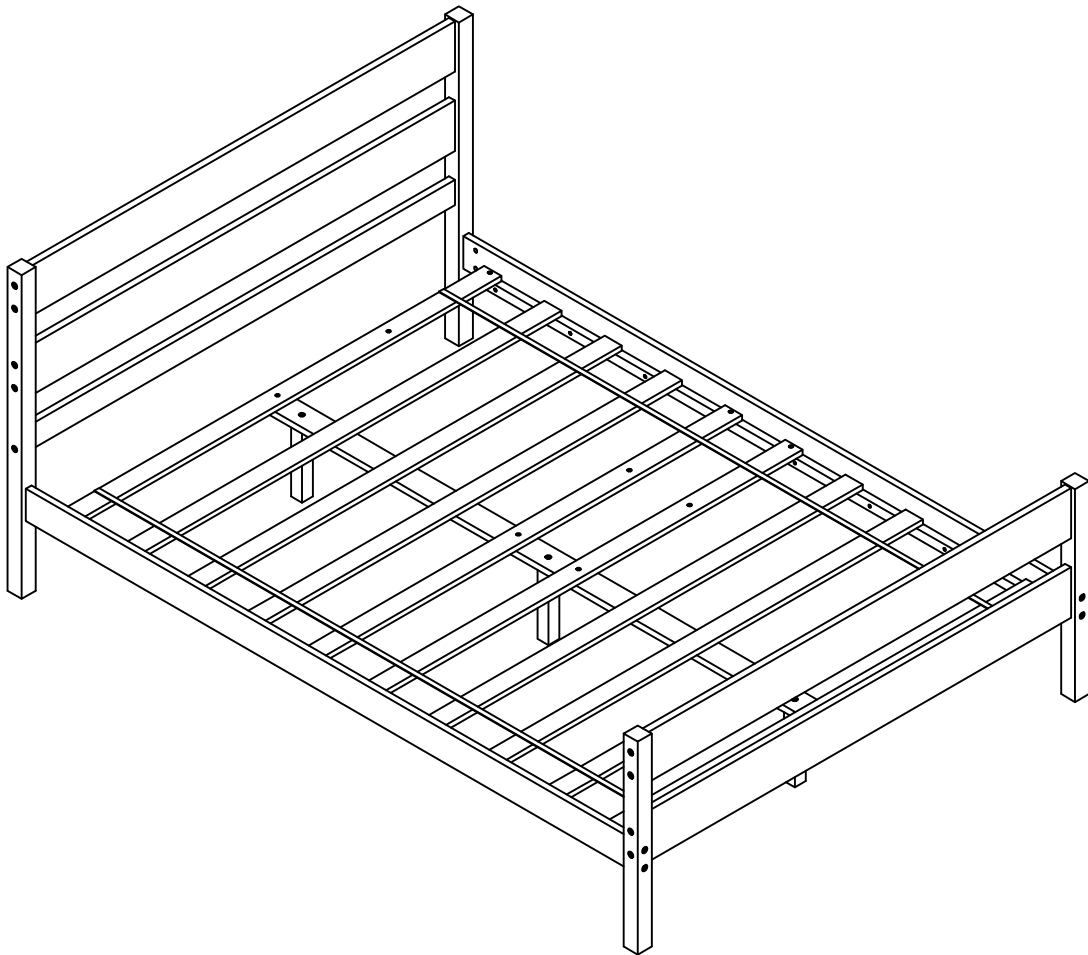


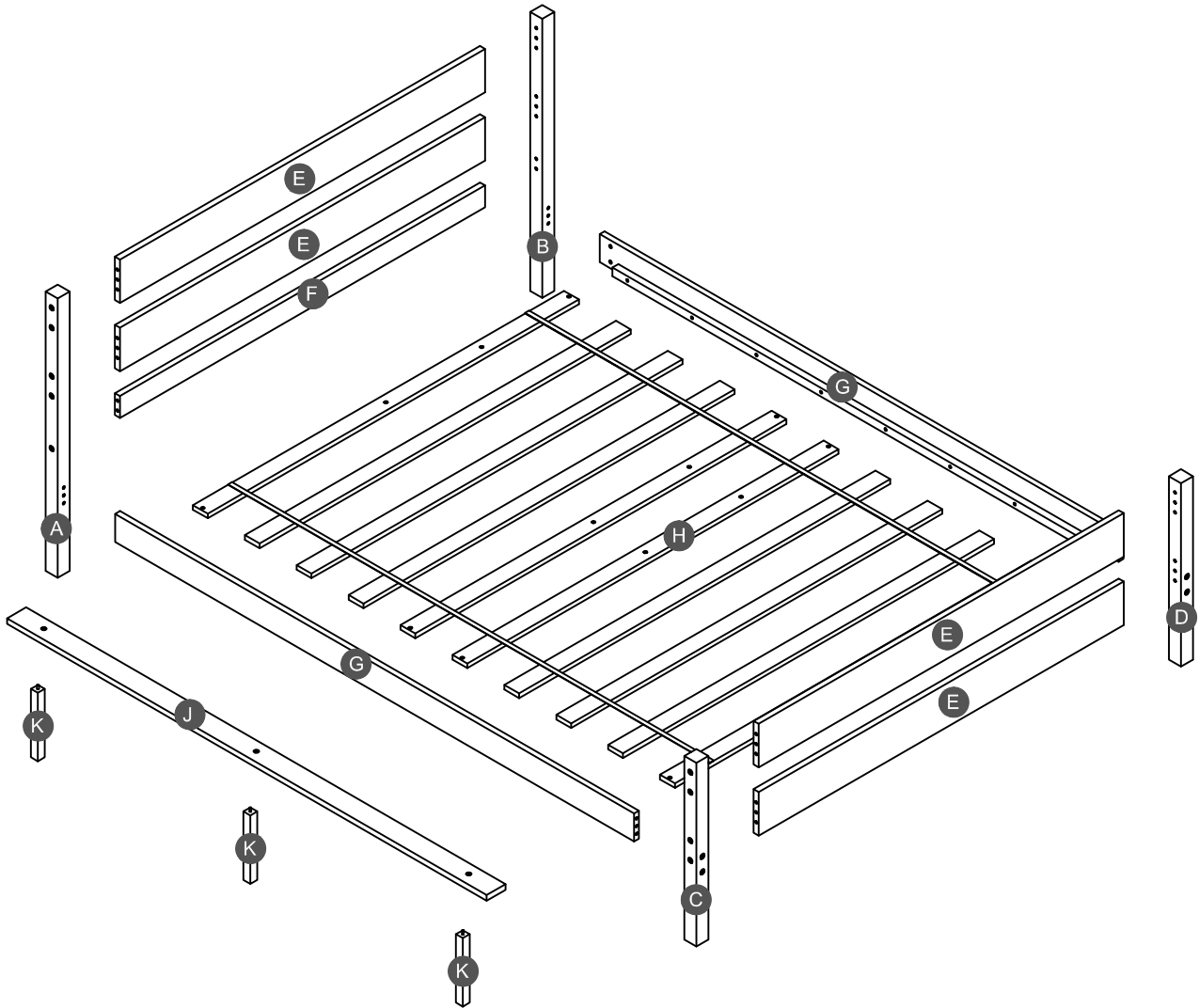
ASSEMBLY INSTRUCTIONS

FULL BED WITH HEADBOARD & FOOTBOARD

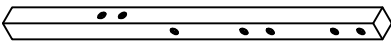
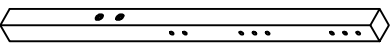
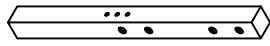
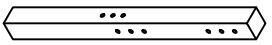
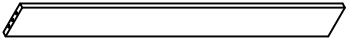
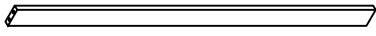

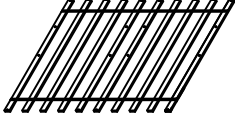

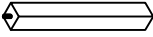


DN33733





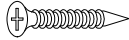
Detail View



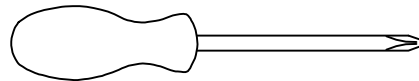
Part List

<p>A</p>  <p>Leg HB (left) - 1pc</p>	<p>B</p>  <p>Leg HB (right) - 1pc</p>	<p>C</p>  <p>Leg FB (left) - 1pc</p>
<p>D</p>  <p>Leg FB (right) - 1pc</p>	<p>E</p>  <p>HB - FB horizontal - 4pcs</p>	<p>F</p>  <p>HB horizontal - 1pc</p>
<p>G</p>  <p>Side rail - 2pcs</p>	<p>H</p>  <p>Slats - (1Set = 10pcs)</p>	<p>J</p>  <p>Lower support slat - 1pc</p>
<p>K</p>  <p>Leg support - 3pcs</p>		

Hardware List




1  Ø8*30mm Wood dowel (14pcs)	2  (Ø15)1/4"*100mm Hex-Head bolts (26pcs)	3  1/4"*15 (9.5mm) Horizontal-Hole bolts (26pcs)
4  (1/4")4.5*58mm Allen key (1pc)	5  Ø4*30mm Wood screws (12pcs)	

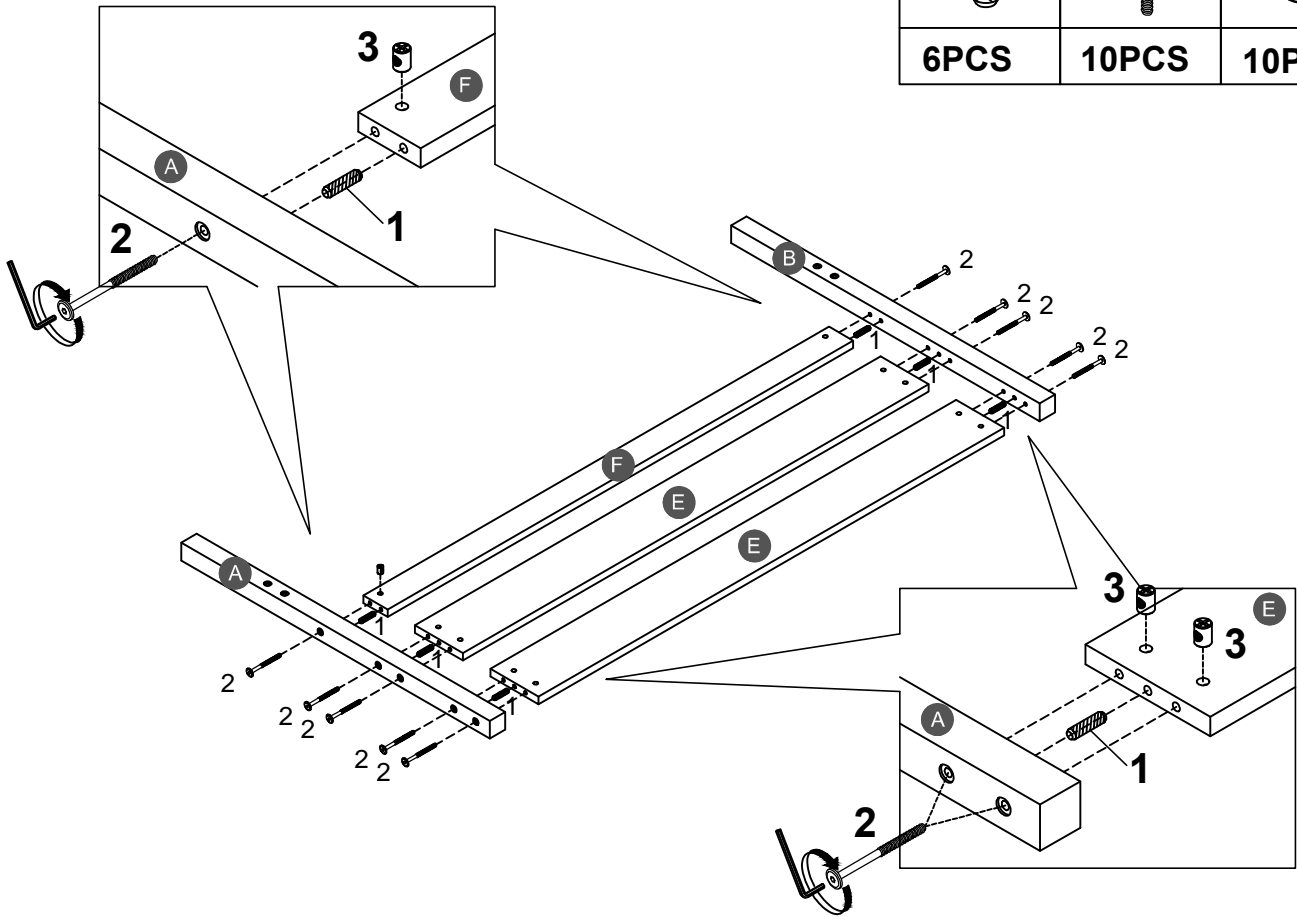
ASSEMBLY TOOLS REQUIRED (NOT INCLUDED)






PLEASE BE CAREFUL DO NOT DAMAGE THE HOLE POSITION WHEN YOU USE POWER TOOLS !

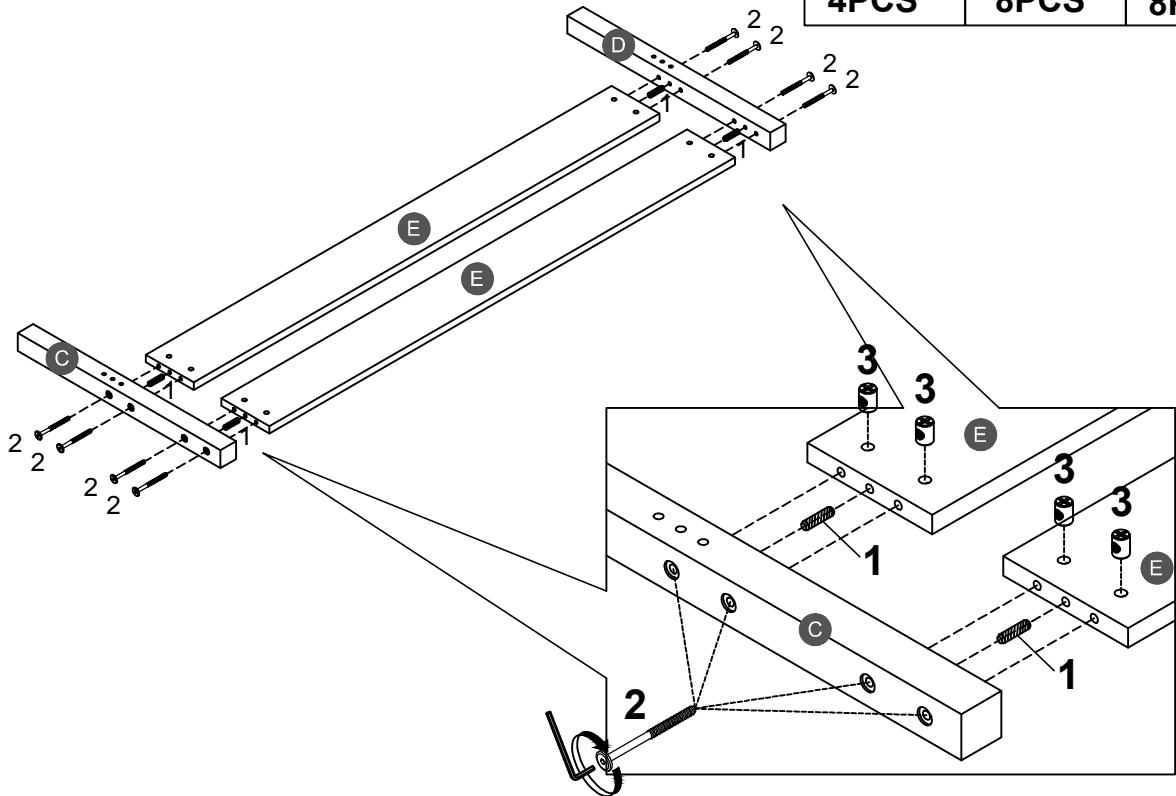
STEP 1:

1		2		3	
6PCS		10PCS		10PCS	






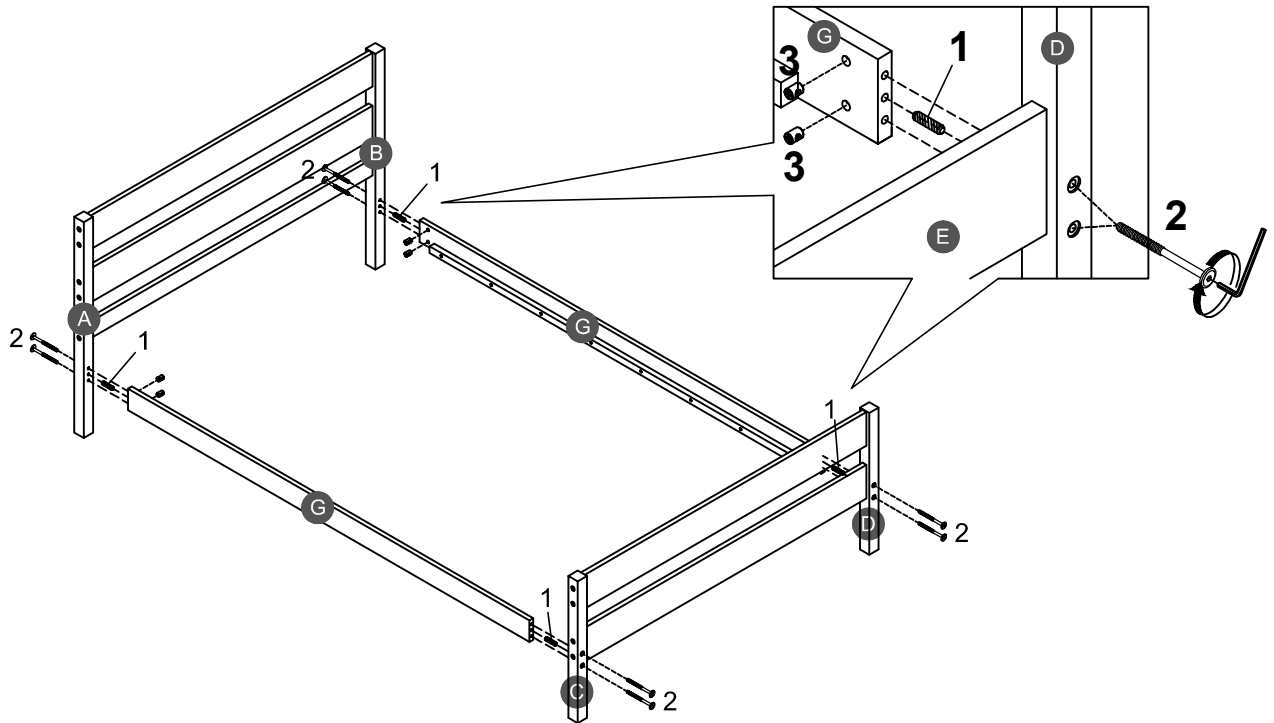
STEP 2:

1		2		3	
4PCS		8PCS		8PCS	

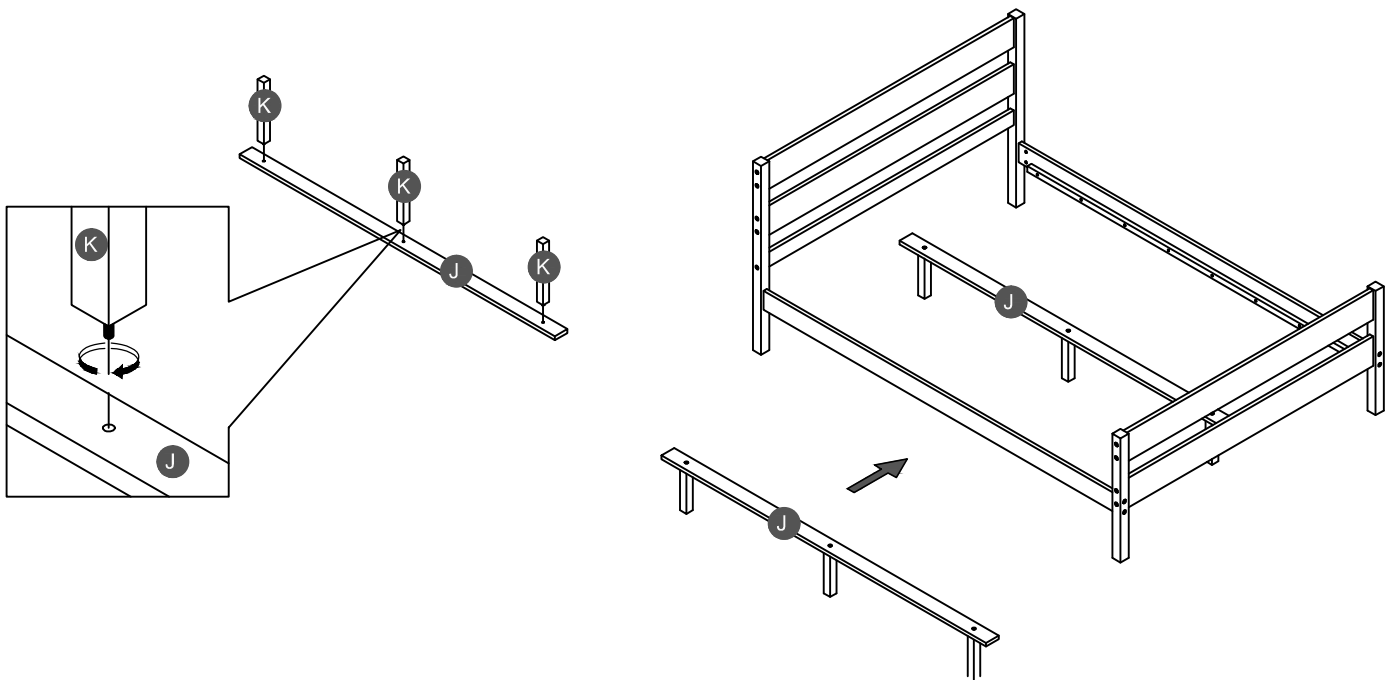


STEP 3:

1		2		3	
4PCS		8PCS		8PCS	



STEP 4:



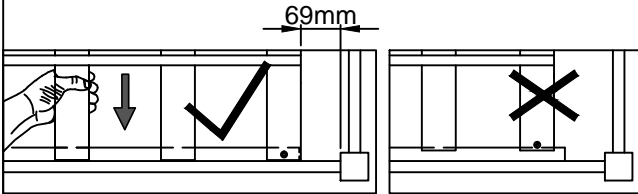
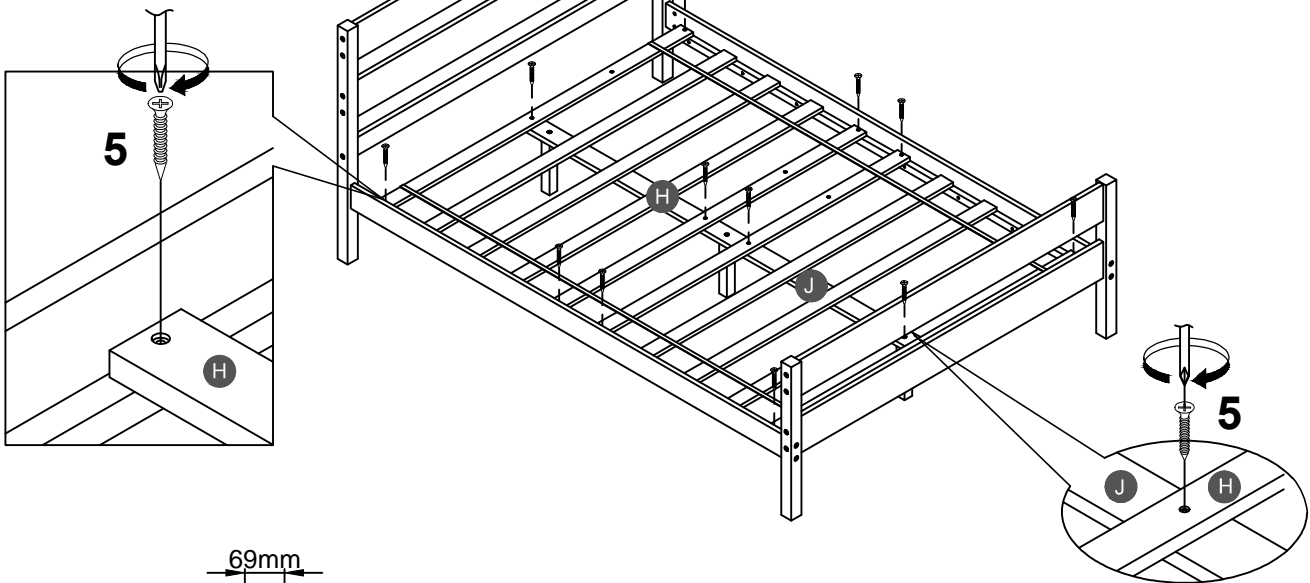
Assembling leg support (K) with lower support slat (J) later rotate, Move support slat inside Full bunkbed.

STEP 5:

5



12PCS



Note: Do not lock the screws of the bed slats to the outermost edge of the bed slats, you need to leave a certain space at the edges, otherwise it will cause the board to break. Do not lock the bed slats on the edge of the wood, please hold firmly before screwing, hold it in place with one hand, then lock the screw.

