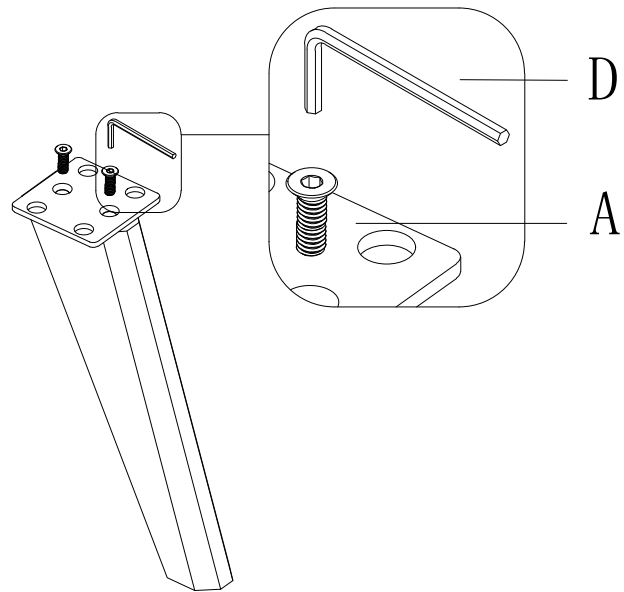
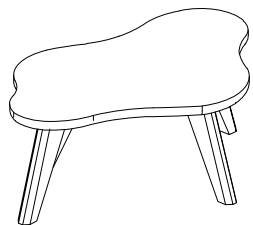
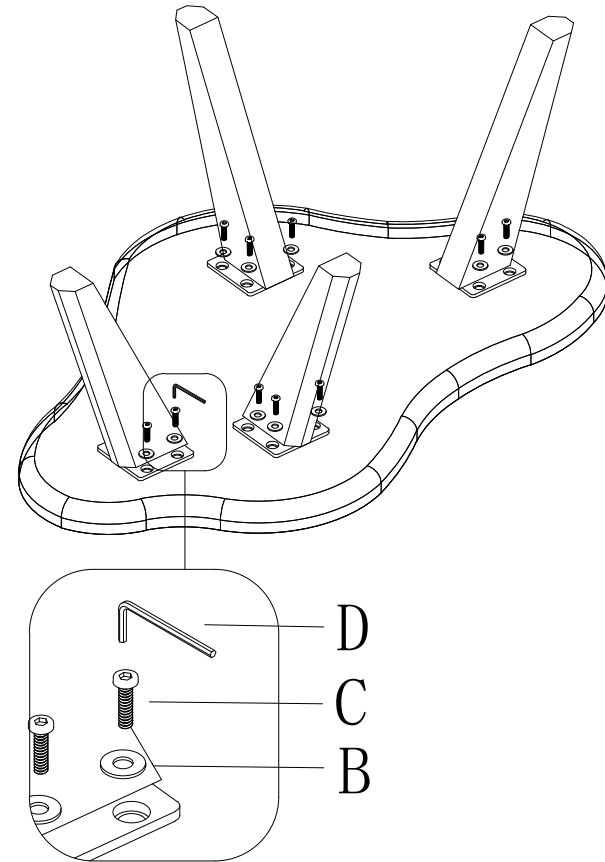


# ASSEMBLY INSTRUCTION

STEP 1



STEP 2



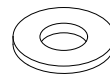
DR-9X

A



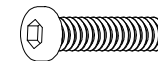
×8

B



×16

C



×16

D



×1