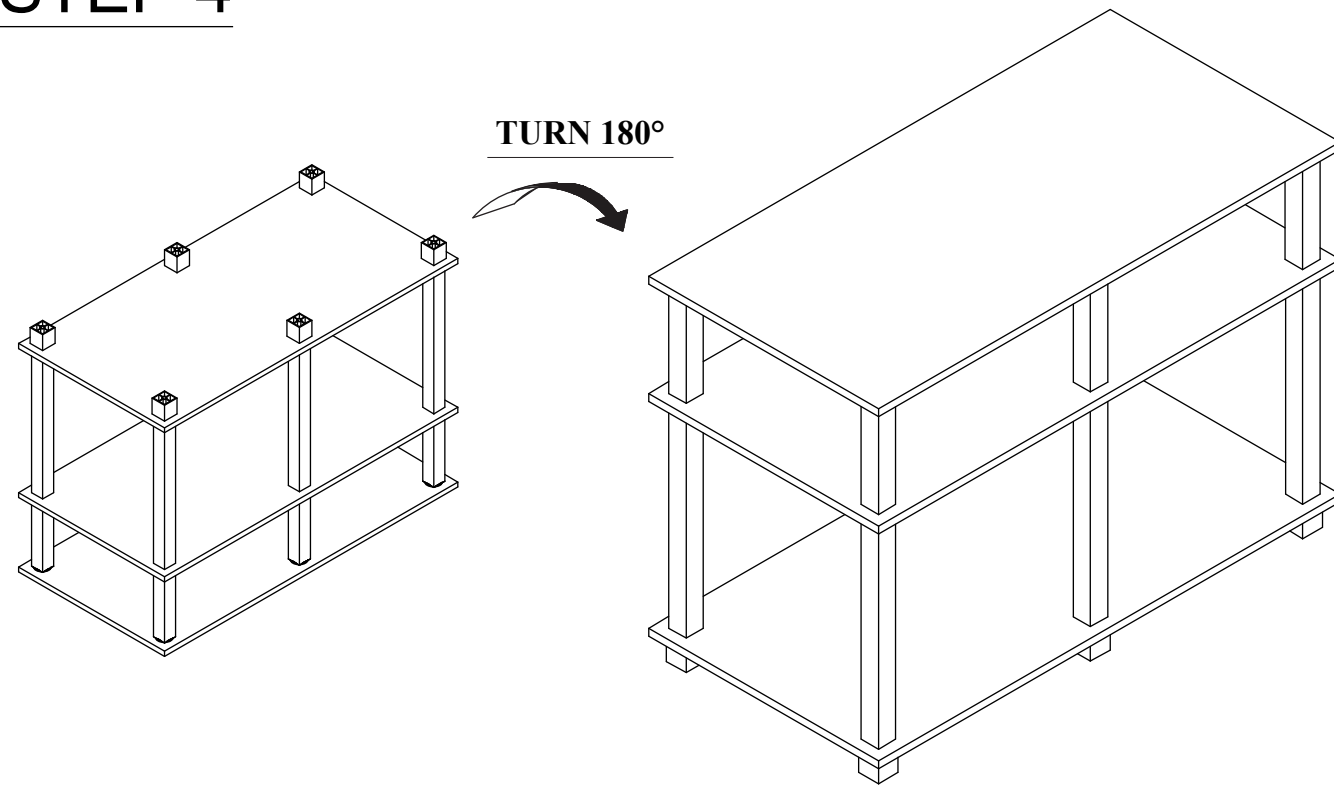
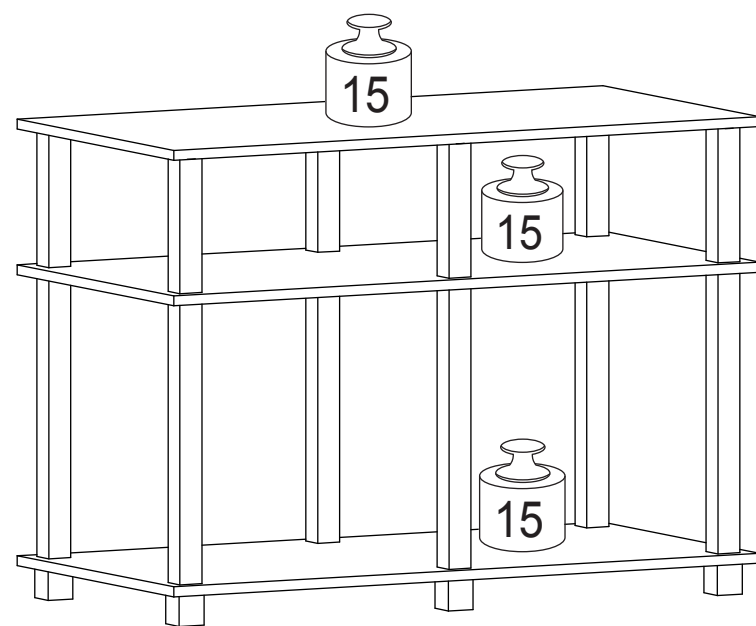


STEP 4



Recommended Maximum Weight



*Unit in Pound(lbs.)



No Sitting

WARNING:

>This unit has been designed to support the maximum loads shown. Exceeding these load limits could cause sagging, instability, product collapse, and/or serious injury.

>DO NOT allow children to climb on unit.

> Put heavier items on lower shelves.

Furinno®

Fits Space, Fits Budget

Assembly Instruction

Furinno Turn-N-Tube TV Stand

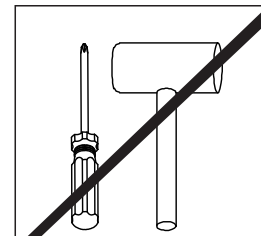
MODEL : 20313

00:10

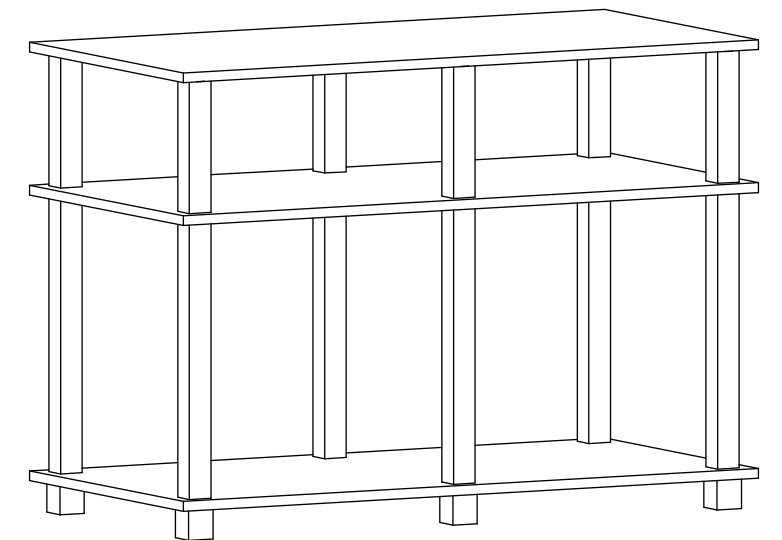
Approx. 10 minutes



Recomm. 1 Person



No Tools Required



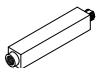
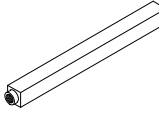

Customer Support

NEED HELP? For replacement requests or product inquiries, please contact our Customer Service Team by emailing us at support@furinno.com. Thank you for selecting Furinno!

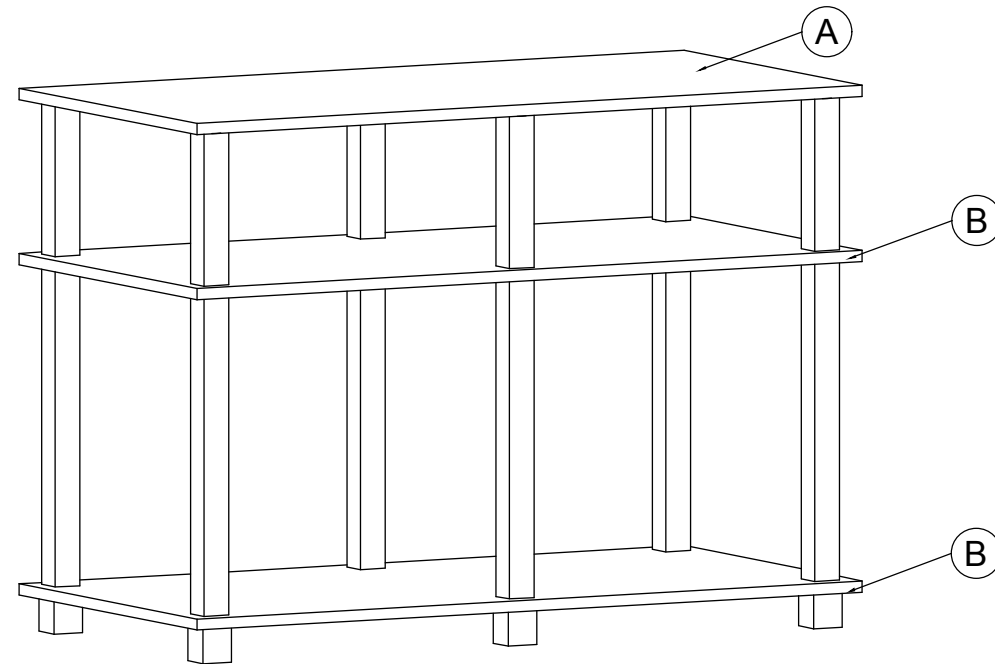
www.furinno.com



HARDWARE & PARTS LIST

NO	HARDWARE LIST	QTY
1	SQUARE SHORT POLE 	6 PCS
2	SQUARE LONG POLE 	6 PCS
3	SQUARE LEG 	6 PCS

NO	PART LIST	QTY
A	TOP PANEL	1 PC
B	SHELF PANEL	2 PCS



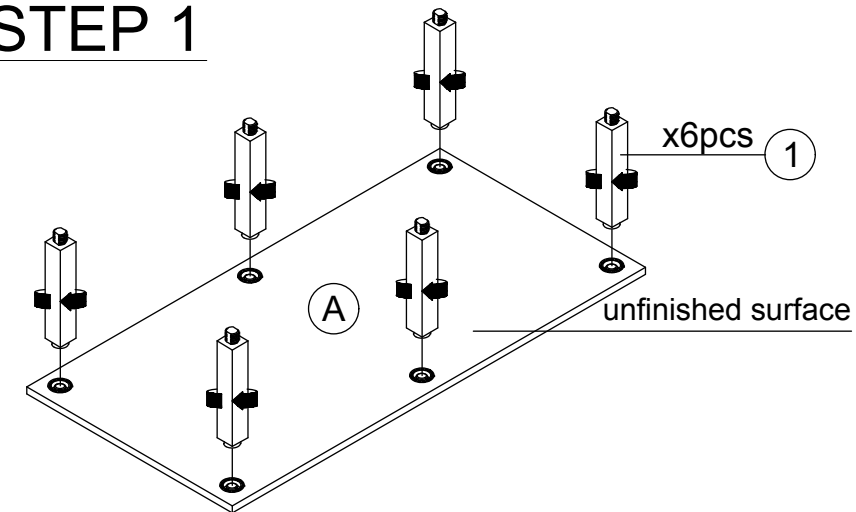
USEFUL HINTS BEFORE YOU START:

1. Read each step carefully before starting.
2. It is important that each step is performed in correct order to avoid difficulties.
3. Identify, sort and count the parts before assembly.
4. Assemble your furniture on packaging cardboard to prevent scratch or damage.
5. Clean the product with mild cleanser using soft damped cloth. Do not use harsh or abrasive cleanser.
6. Using incompatible hardware might cause damage to product.

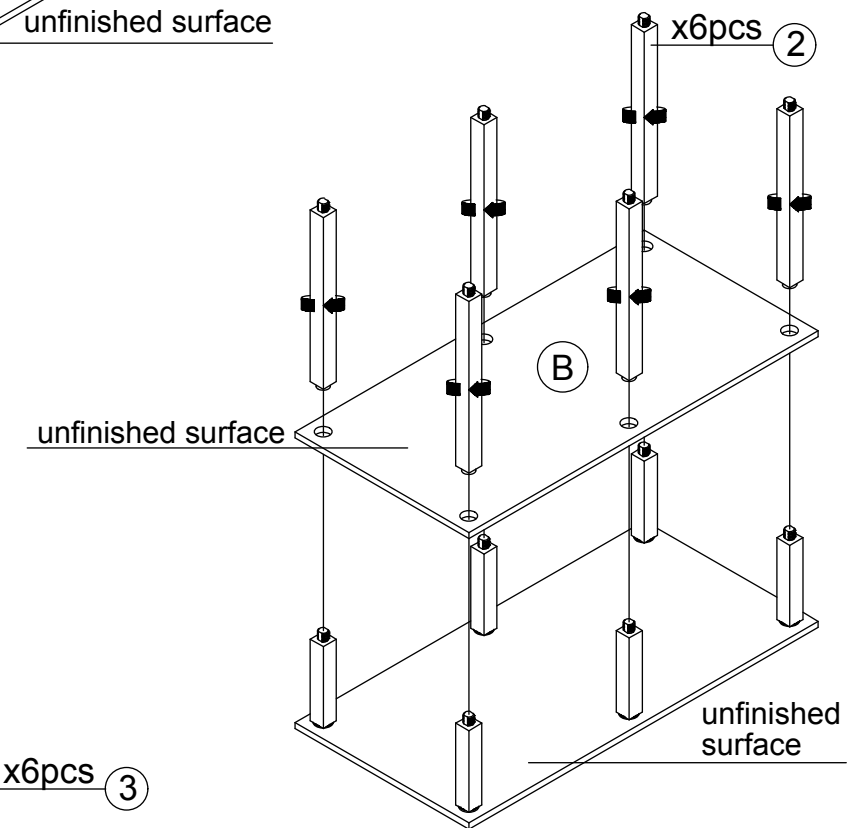
ASSEMBLY INSTRUCTIONS

BEFORE YOU BEGIN, PLEASE READ ASSEMBLY INSTRUCTIONS CAREFULLY, FOLLOW THEM STEP BY STEP.

STEP 1



STEP 2



STEP 3

