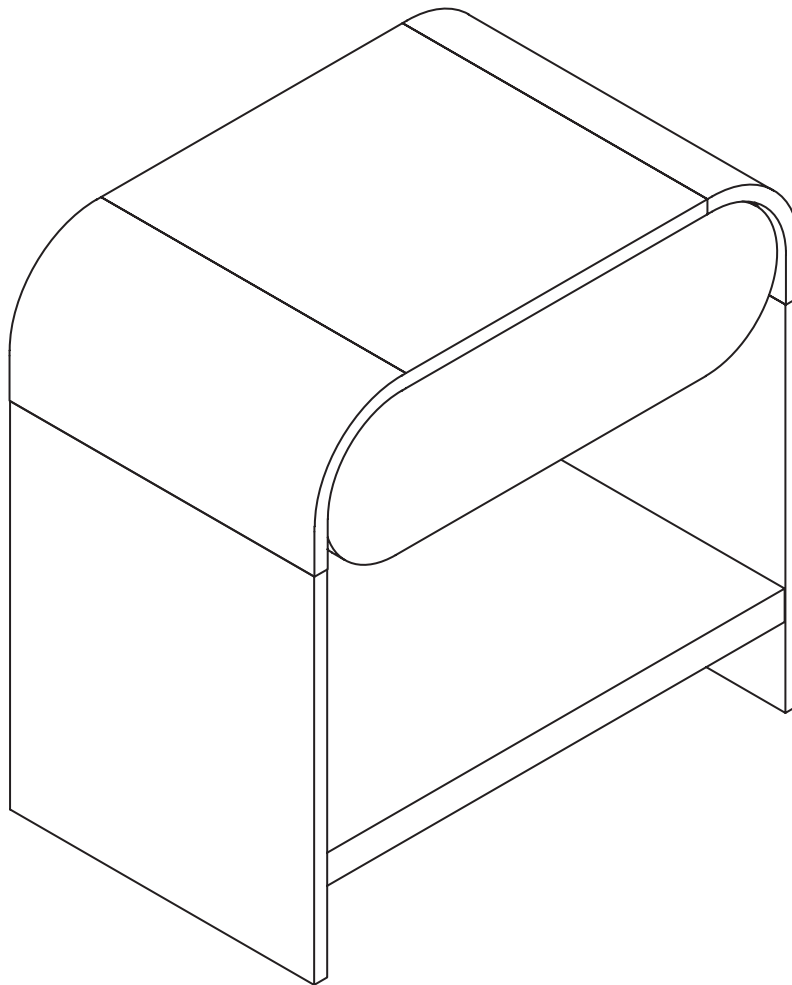


Let's build the

Iris Nightstand

SKU 36521



Scan me!

Free Lifetime
Warranty

nathan james

25-0411VN

Ok, let's get rolling

This should be easy, just follow our instructions and you will be back to Netflix in no time.

Estimated time for assembly



35:00

What you need

- Some of your favourite bubbly or your preferred relaxant
- Use the packaging carton as a working surface to prevent product damage during assembly
- Phillips head screwdriver

Weight Limitation



101
lbs

Top Max. Capacity: 50lbs.

Drawer Max. Capacity: 11lbs.

Bottom Shelf Max. Capacity: 40lbs.

Toll-free at 1-866-619-1004

Help@nathanjames.com

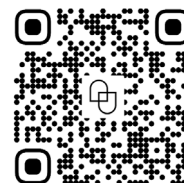
Nathanjames.com/help

What's included

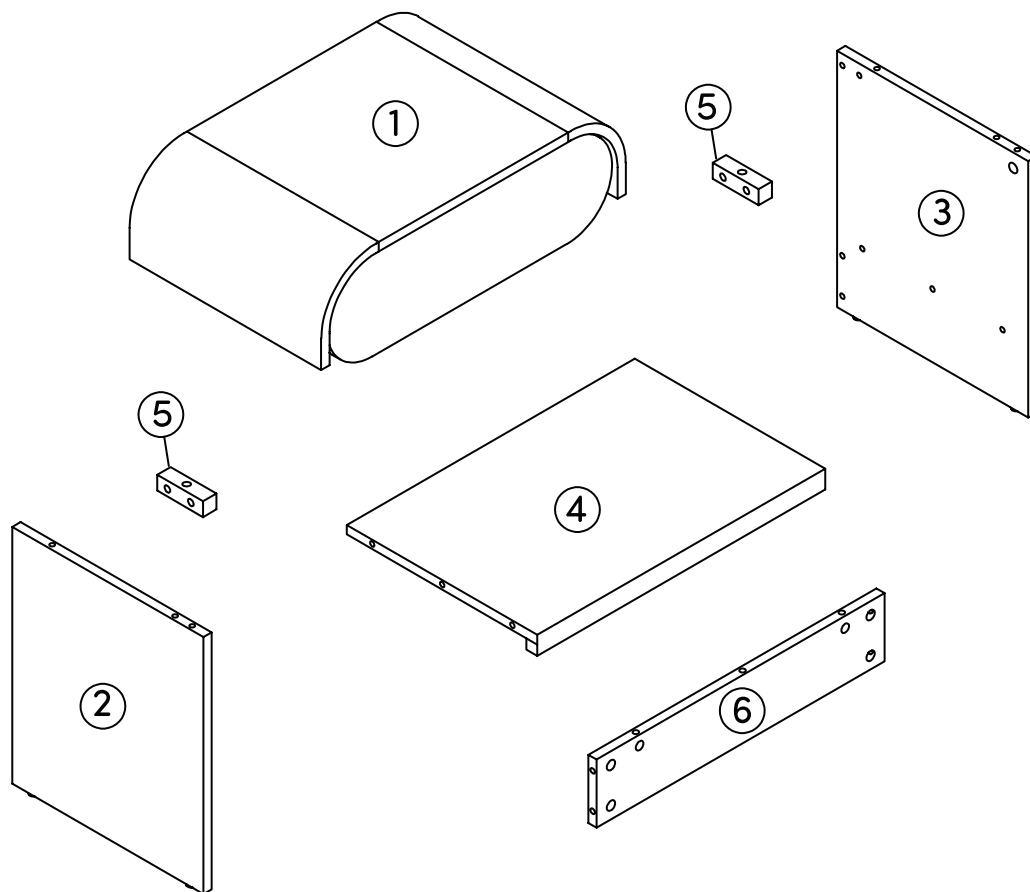
Description	Qty
1 Top Sub-assembly	1
2 Left Side Panel	1
3 Right Side Panel	1
4 Bottom Shelf	1
5 Wooded Cleat	2
6 Bottom Back Stretcher	1
A M6*35 mm Cam Bolt	12
B 15x10 mm Cam Lock	12
C M6*30 mm Wooden Dowel	7
D Nail-in Footpad (Extra)	4
E PVC Sticker	2
F Ø¼" x 32mm Hex Button Head Bolt	6
G Allen Key	1

Scan me!

Free Lifetime
Warranty



The goods



(A)

(B)

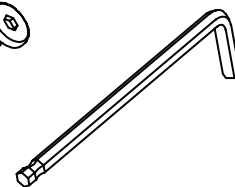
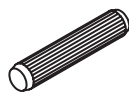
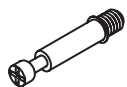
(C)

(D)

(E)

(F)

(G)



IMPORTANT

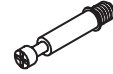
1. Do not tighten bolts / screws completely until all bolts / screws are lined up and inserted into holes.
2. Do not over tighten screws and bolts to avoid stripping.
3. Please use hand tools to assemble this product.

Step 1

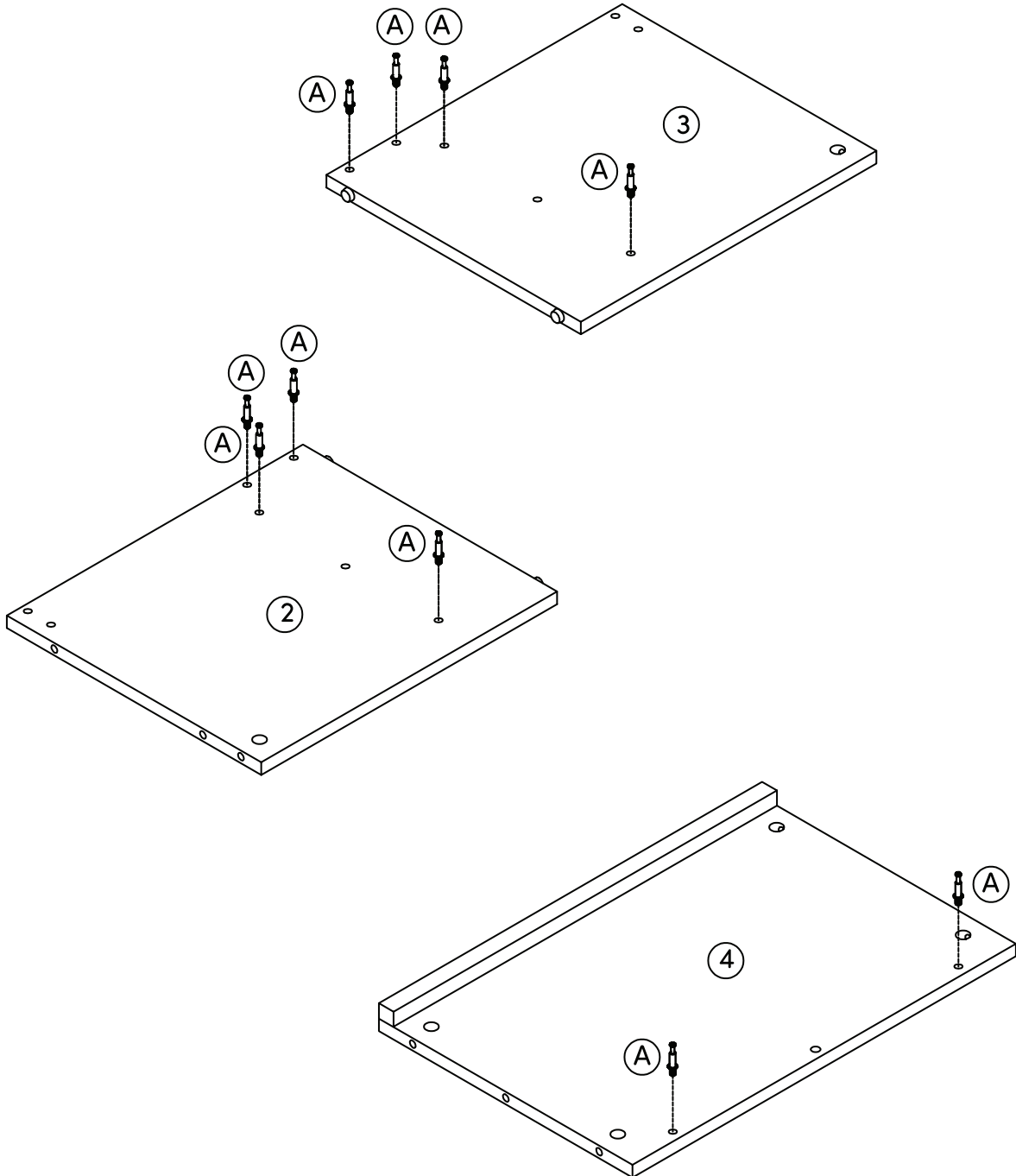
Your highly anticipated nightstand has finally arrived, and it's time to get started! Lay out the Left Side Panel (2), Right Side Panel (3), and Bottom Shelf (4) on a soft surface. Next, insert the Cam Bolts (A) into their corresponding holes.



(A)



X 10 pcs



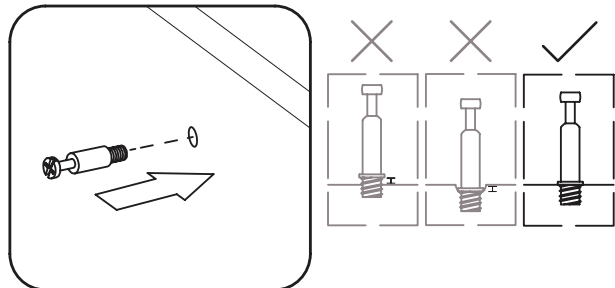
How to use cam locks

Did you know?

Cam locks are used to join two panels together, usually the edge of one to the flat side of another.

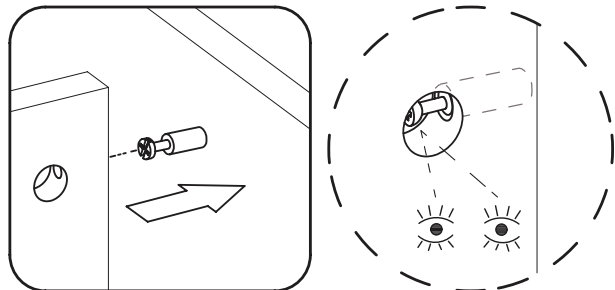
First, your cam bolt (or cam pin) will need to be properly inserted into the flat side of the board.

Important Note: Only tighten the cam bolt until it is secure. Do not over-tighten.



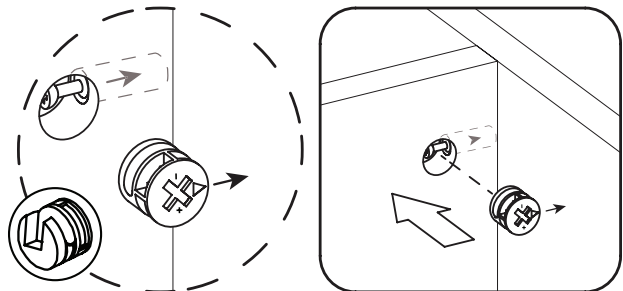
Next, you will fit the proper hole on the edge of the associated joining panel over the cam bolt.

Important Note: When installed properly, the head of the cam bolt will be visible through the larger hole on the side of the joining panel.



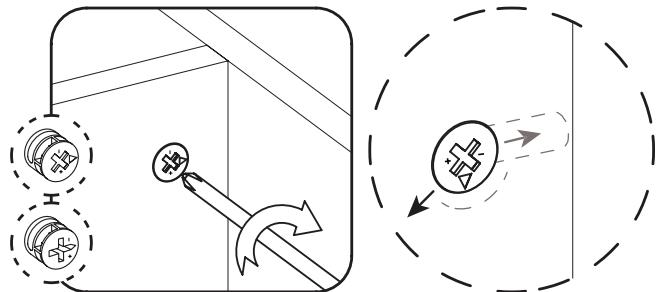
Next, you will notice the cam lock has a “C” shaped back. Commonly, an arrow on the front of the cam lock points in the same direction as the open section on back.

Using these as your cue, insert the cam lock into the large hole so the opening of the “C” fits over the head of the cam bolt.



Using a screwdriver, you will turn the cam lock until it stops, usually between 130° or 180°. You will feel the panels pulling closer until they are secured.

Important Note: Only turn the cam lock until the panels are fully engaged & feel secure. Turning too far may lead to hardware failure.

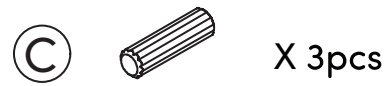


Still having issues?

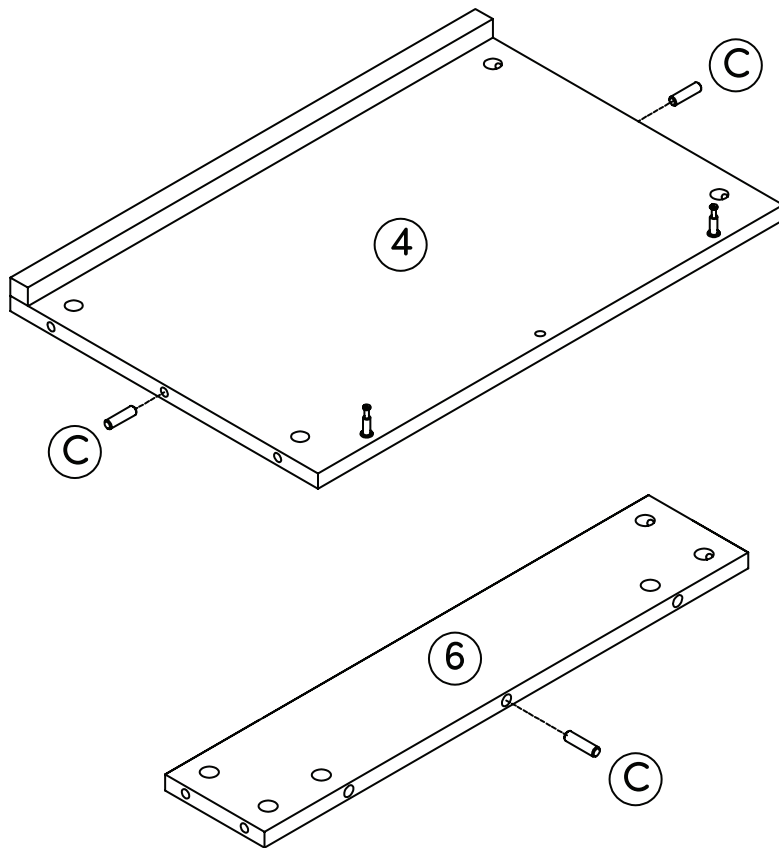
If a cam lock seems to be spinning in place or is not “catching” or pulling the panels together as expected, first remove the cam lock & try again while making sure that everything is properly positioned & oriented.

If you are still having issues getting things work ing as expected, first remove the cam lock then unscrew the cam bolt slightly (less than 1 complete turn) to see if that helps with the alignment of the cam lock & bolt.

Step 2



Grab the Bottom Shelf (4), and Bottom Back Stretcher (6). Now, insert the Wooden Dowels (C) into their corresponding holes. You're one step closer to nightstand perfection!



Step 3

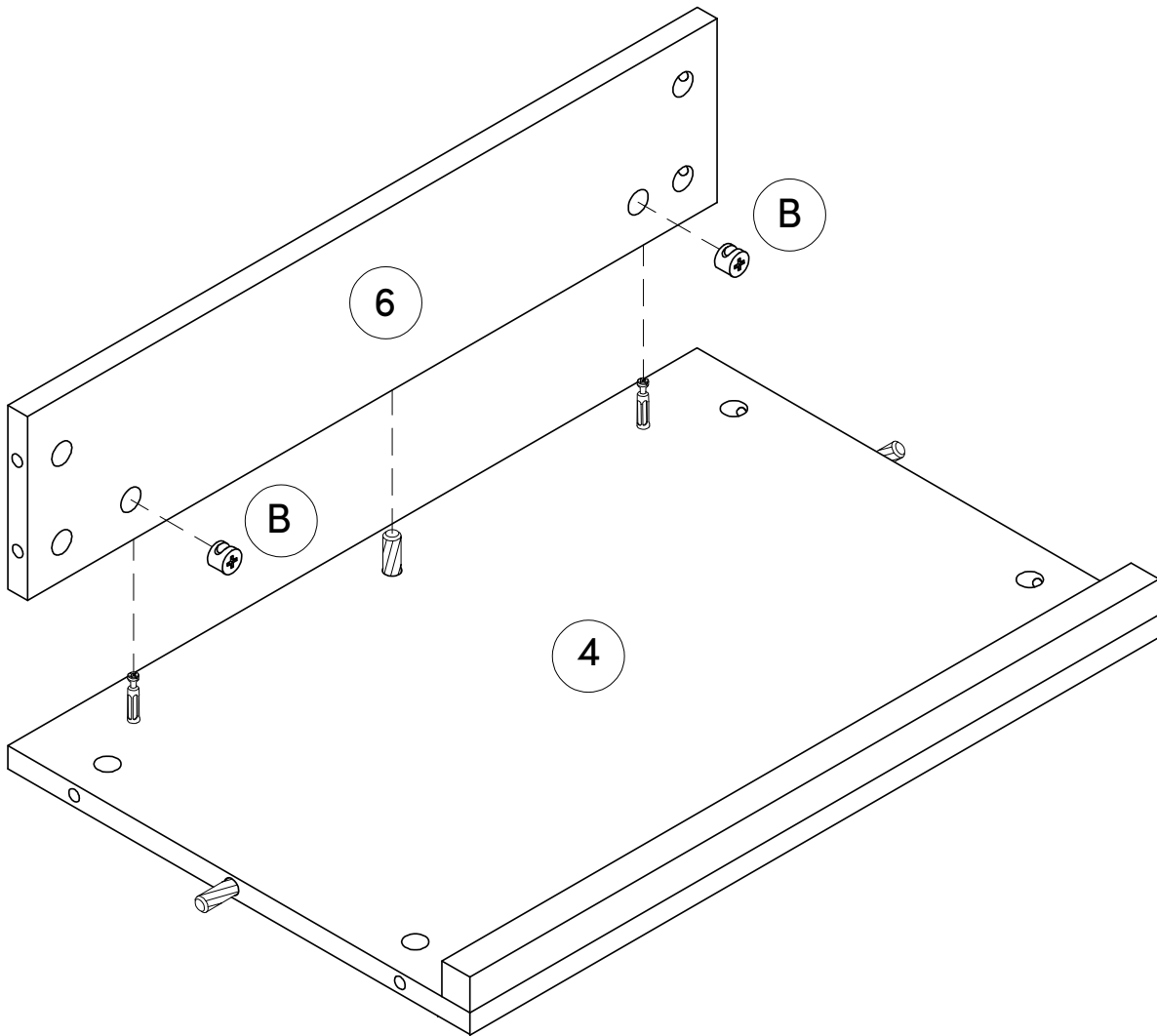
Let's get things moving! Take the Bottom Shelf Stretcher (6) and attach it to the Bottom Shelf (4) by pushing the pieces together. Ready for some tightening action? Use the Cam Locks (B) to secure everything in place.



(B)



X 2 pcs



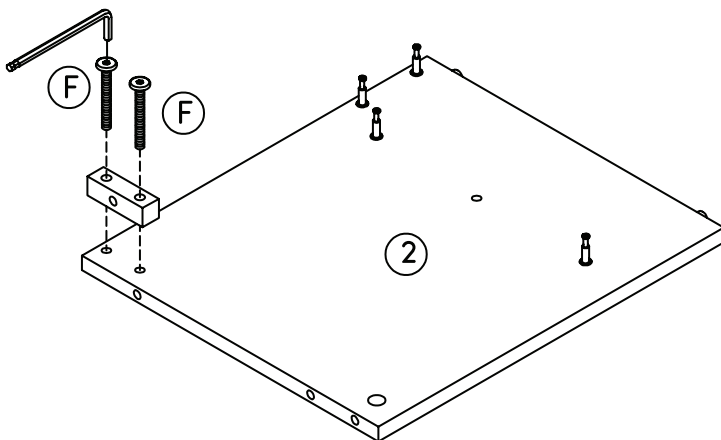
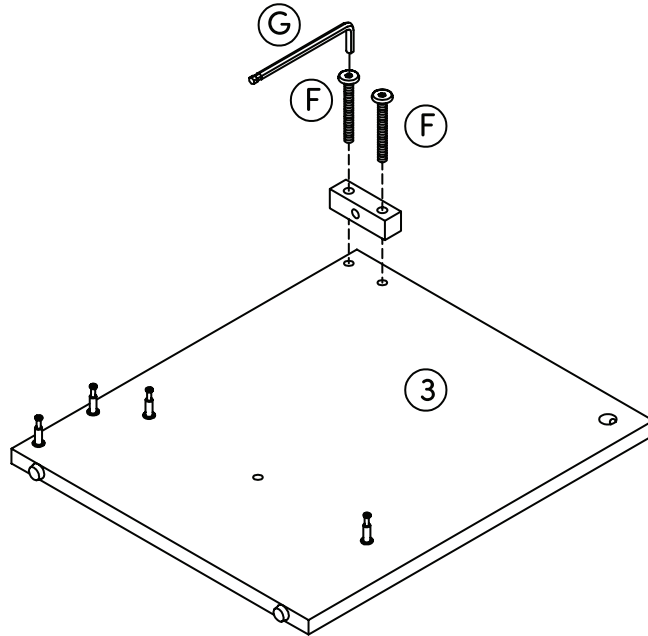
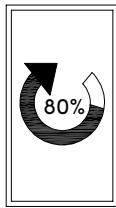
Step 4



X 4 pcs

Next, attach two the Wooded Cleat (5) onto the Right Side Panel (3) and the Left Side Panel (2). Use the Bolt (F) to ensure these parts are secured tightly.

Tighten to 80%



Step 5

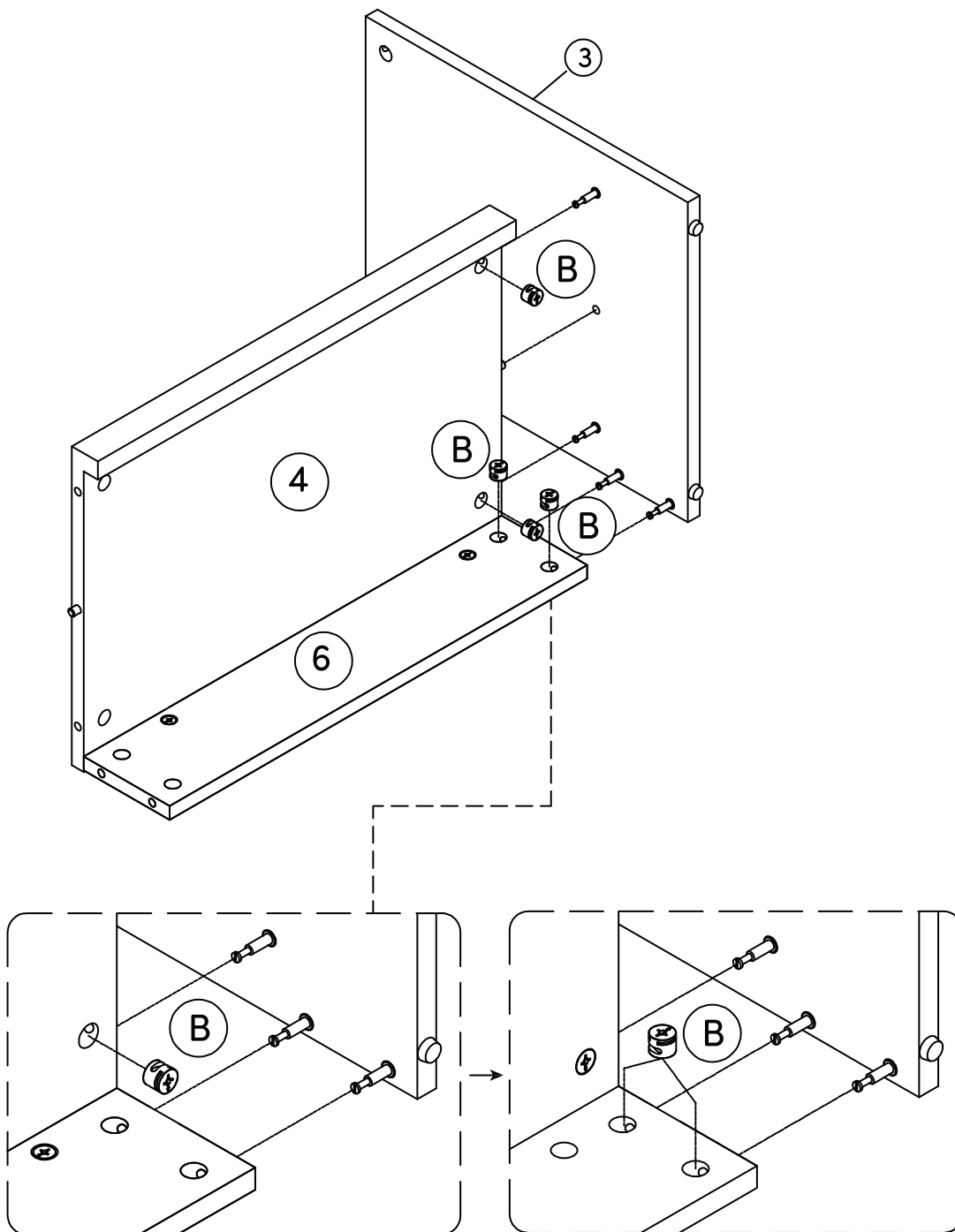
Almost there! Now, attach the Right Side Panel (3) to the assembly you've been working on. Use the Cam Locks (B) to secure the parts together. Reference the image below to make sure you insert the Cam Locks in the right order.



(B)

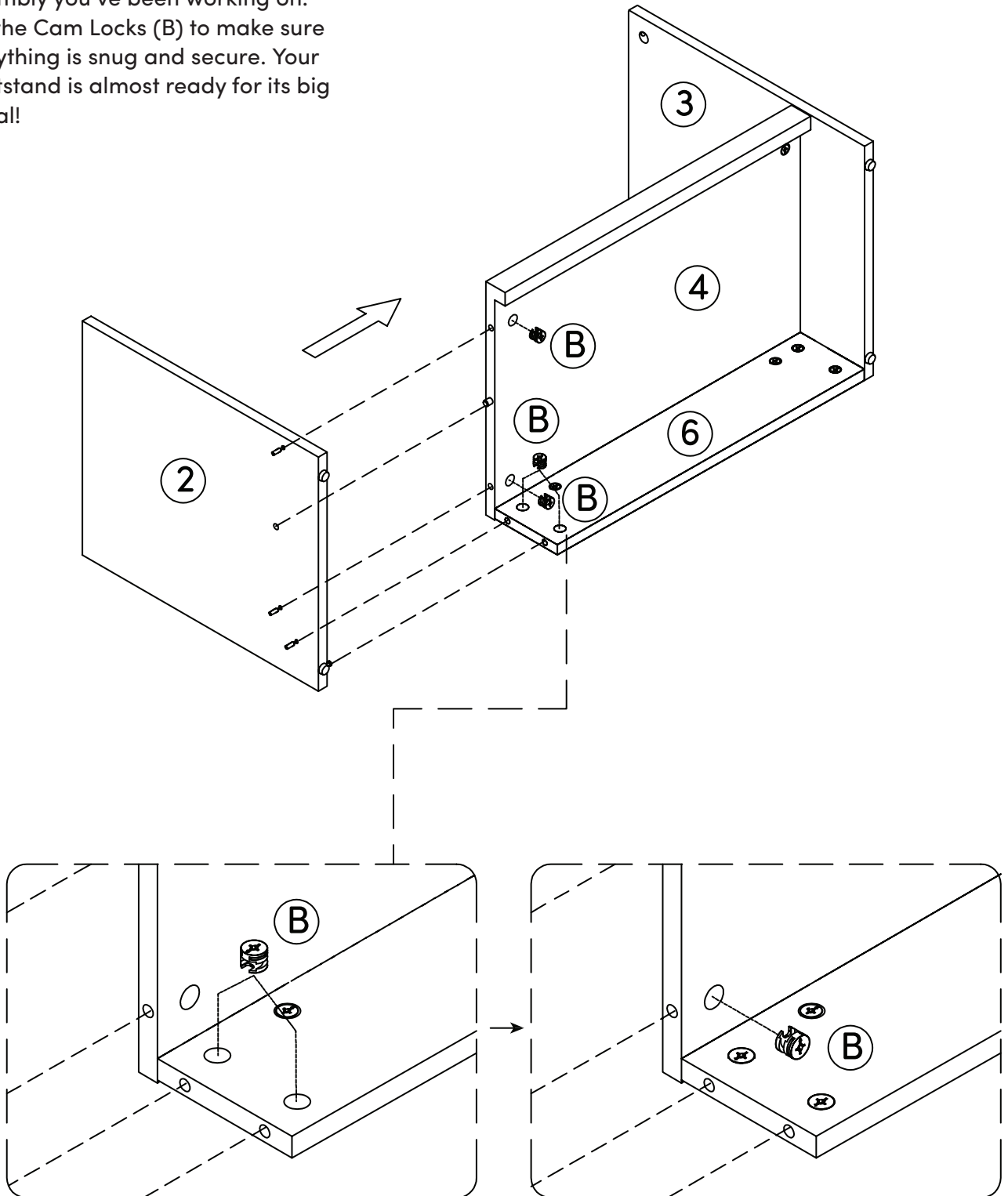
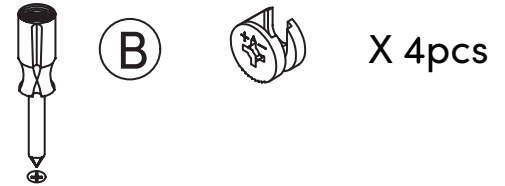


X 4 pcs



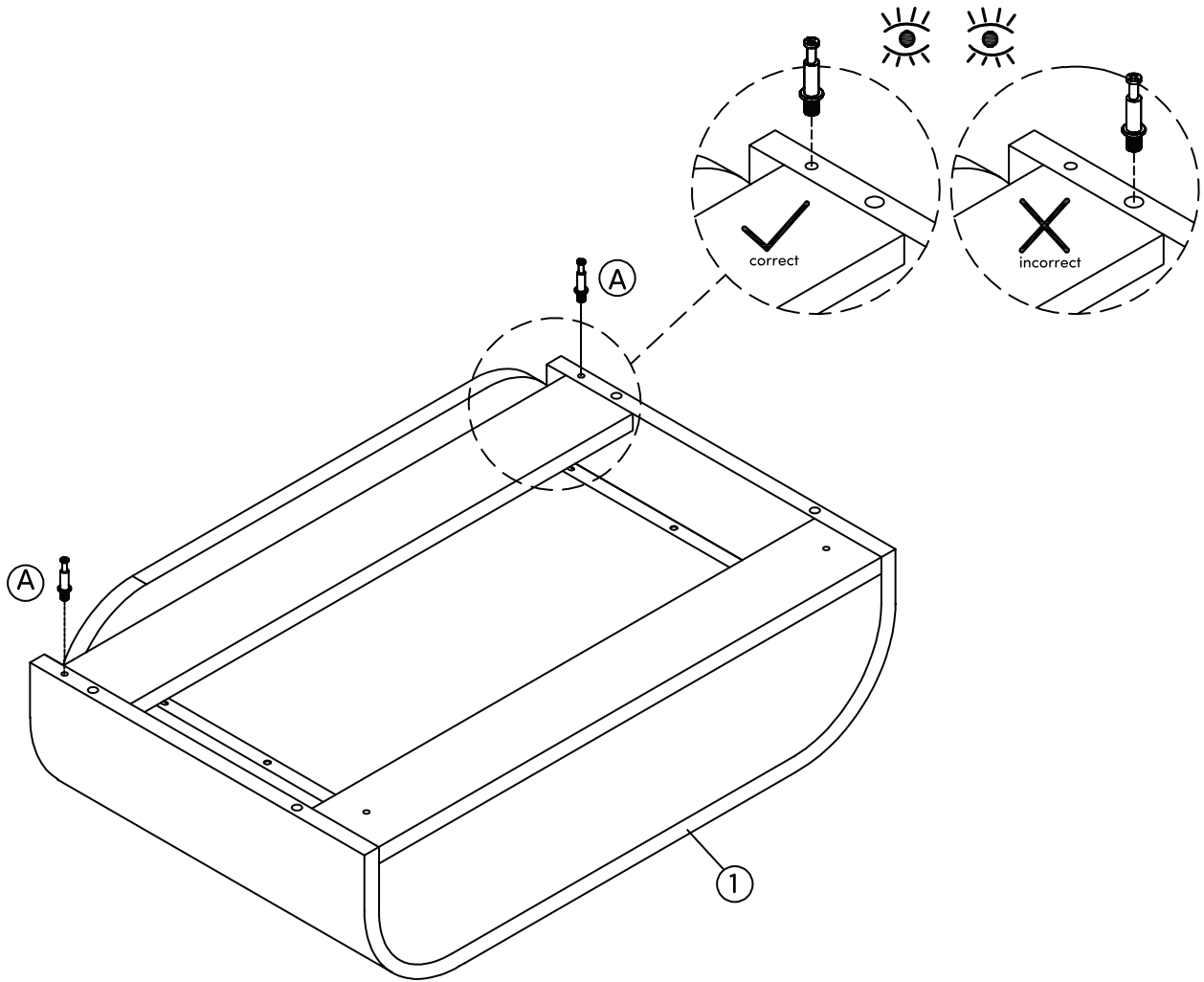
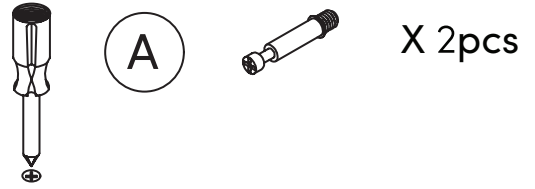
Step 6

We're getting close to the finish line! Attach the Left Side Panel (2) to the assembly you've been working on. Use the Cam Locks (B) to make sure everything is snug and secure. Your nightstand is almost ready for its big reveal!



Step 7


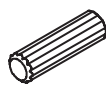

Time for the next step! Grab the Top-Sub assembly (1) and insert the Cam Bolts (A) into their corresponding holes.

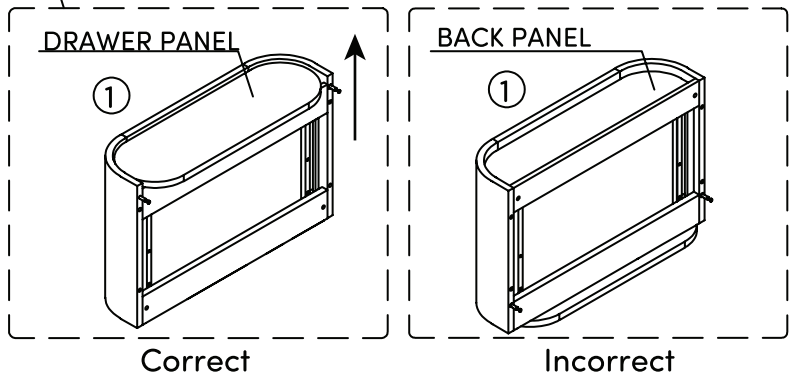
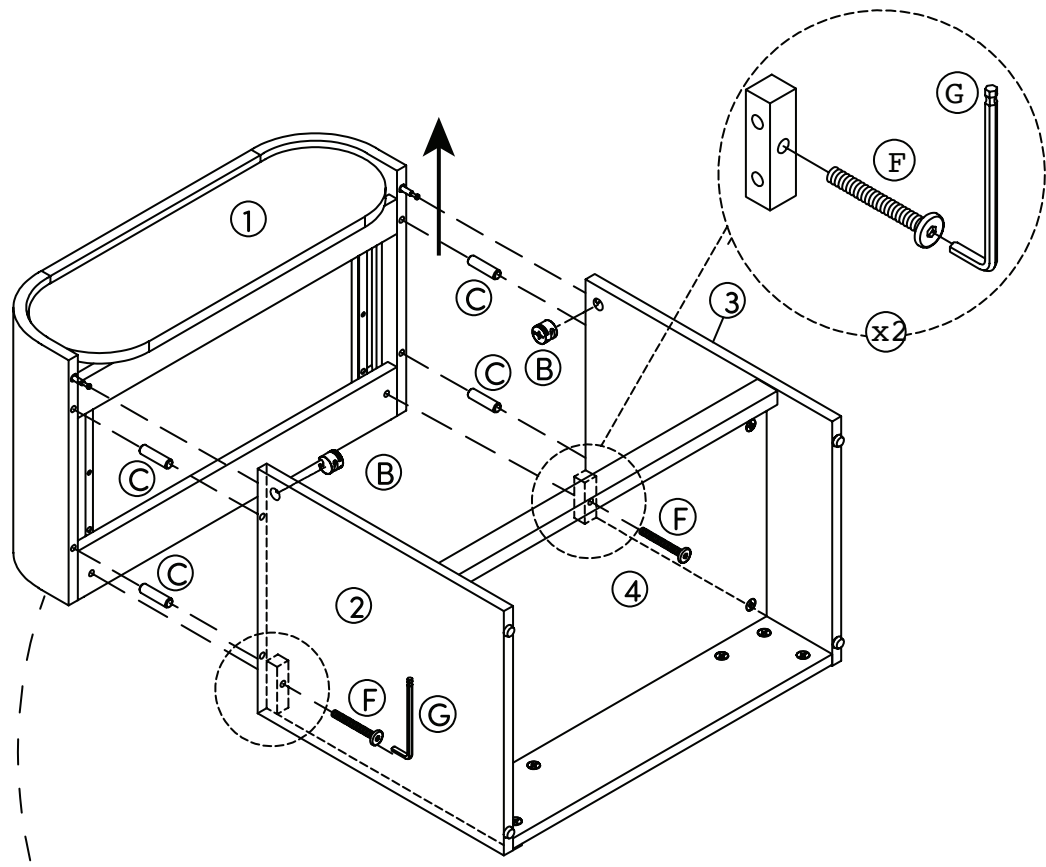


NOTE;
When assembling, pay attention to the drawer to be sure it does not slide out in order to prevent accidental damage.

Step 8

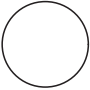
Things are really coming together! Use the Wooden Dowels (C) to attach the Top Sub-assembly (1) to the base assembly. Then, secure everything in place with the Cam Locks and the Bolt (F). Double check to make sure the drawer panel is facing forward.

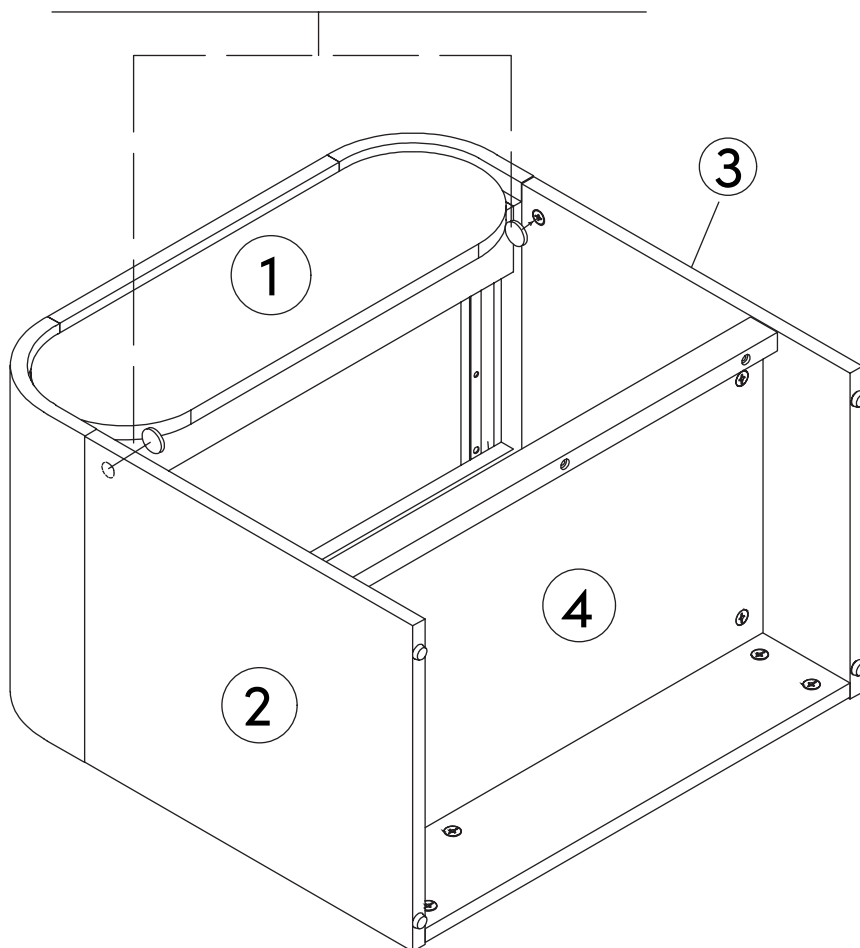
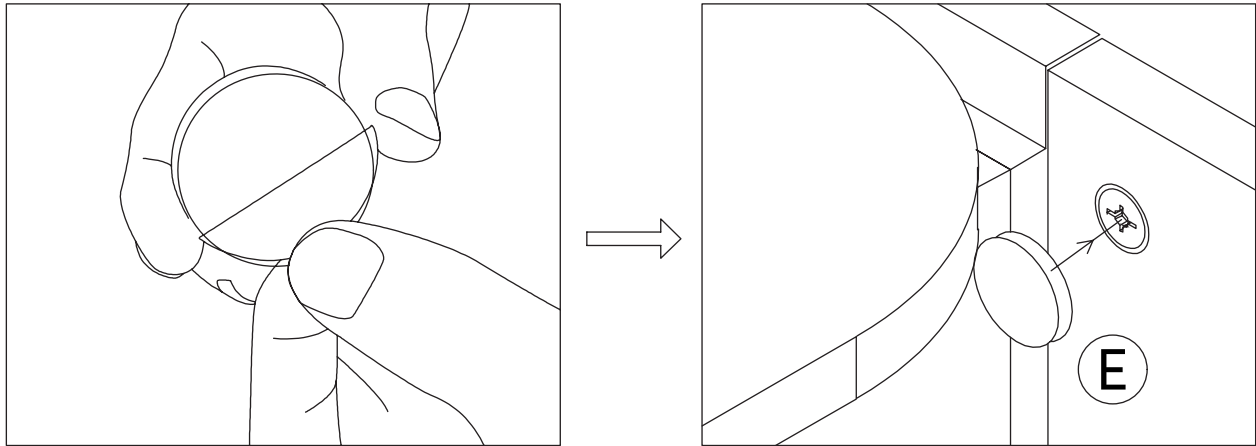
- (B)  X 2pcs
- (C)  X 4pcs
- (F)  X 2pcs



Step 9

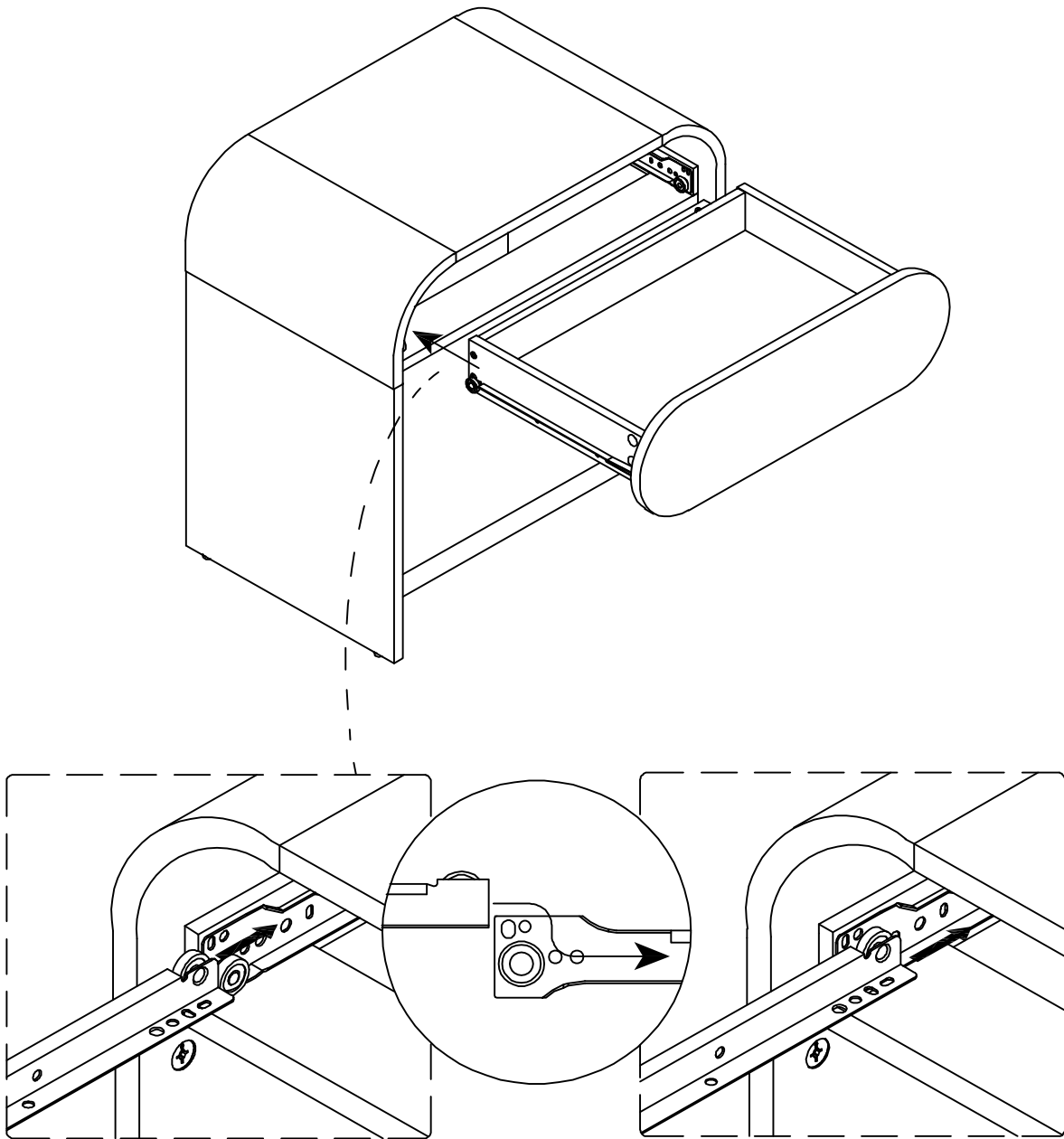
Take the PVC Sticker (E) and use it to cover the ends of the screws for a seamless, high-end look!

(E)  X 2pcs



Step 10

Finally, slide the drawer into place on your nightstand. Congratulations, you did it! Now, have fun decorating it to match your dream style. Enjoy your beautiful new nightstand!



No heartburn, when we handle the return

Give us a call **1-866-619-1004** or shoot us a message at **help@nathanjames.com** we will issue you a free replacement with **zero hassle**.

Our way



Give us a call



Replacement



You

Their way



Re-package item



Schedule pick up



Track package



Replacement



You

We really don't want you to go through the hassle of re-packaging your item and sending it back, because let's be honest...nobody has time for that.

Safety first, fun later

We want your product to last as long as possible, so we recommend that you tighten the screws 2 weeks after assembly and for added safety check the tightness of all screws every 2 months.

For proper care and treatment of fabric & metal please check our website at NathanJames.com/products

Safe use of this product starts with you.

Use this product responsibly with the primary concern for your safety. Follow assembly instructions carefully and inspect product upon receipt and each use.

Nathan James and its parent companies cannot be held legally responsible for any injuries or death resulted from failure to follow instructions or improper use of this product.

Do not modify the structure of this product in any way.

Our products have been tested to meet specific safety measures as they were originally intended to be sold. Any modifications will present the risk of creating significant safety issues which NJ will not be responsible for.

Proper use

- DO NOT** use for commercial purposes
- DO NOT** frolic on nightstand
- DO NOT** use nightstand as foot stool
- DO NOT** leave spilled liquid on nightstand
- DO NOT** use nightstand if damaged
- DO NOT** make temporary repairs
- DO NOT** use outdoors

We are only in business if you're happy

For starters, thanks for being you.

☎ Toll-free at 1-866-619-1004

✉ Help@nathanjames.com

🌐 NathanJames.com/help

We do our best to ensure your furniture arrives without any problems, but occasionally mistakes happen—as humans we are imperfect beings. In the event that a part is damaged or missing, we will be more than happy to provide you with replacement part(s) for free.

Warranty

This product comes with a lifetime warranty from the date of purchase. Please use your phone to scan the QR code to register your product or visit <https://goo.gl/i9dk3q>



Did we do alright? Please spread the love!

If you are happy with your product, tell your friends and family about us or even better leave us a review online. Spreading the word gives us the opportunity to make more people happy and keep our prices low for your next purchase.

Brooklyn Burden

Founder, Nathan James