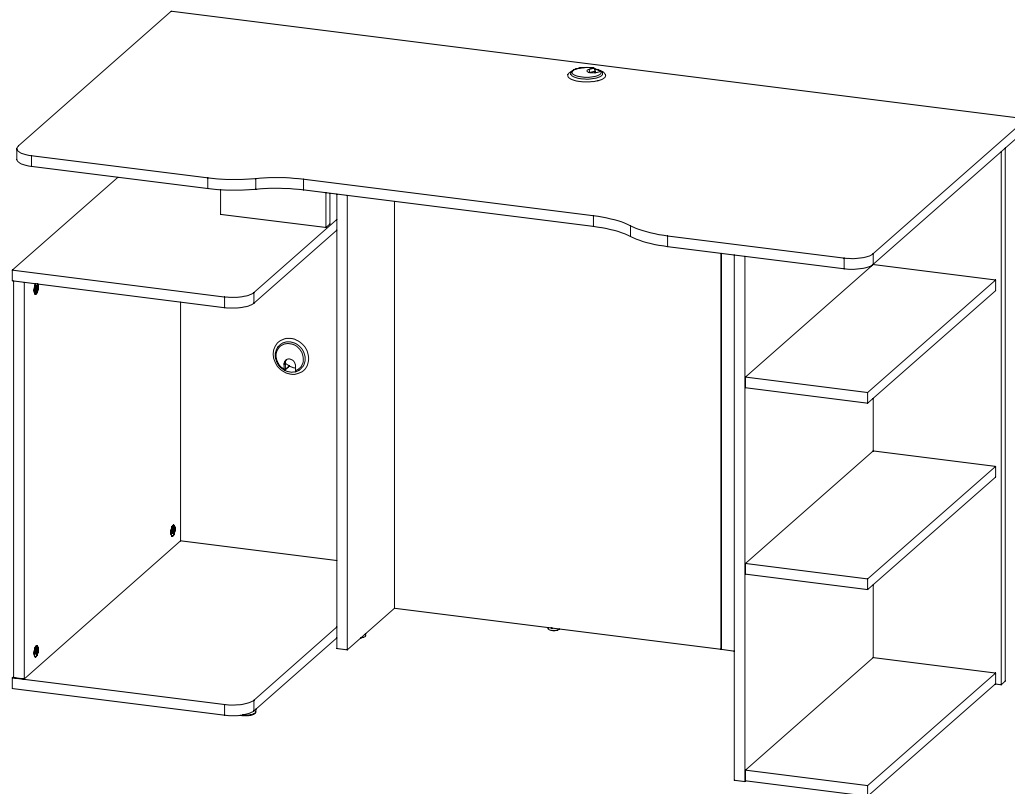
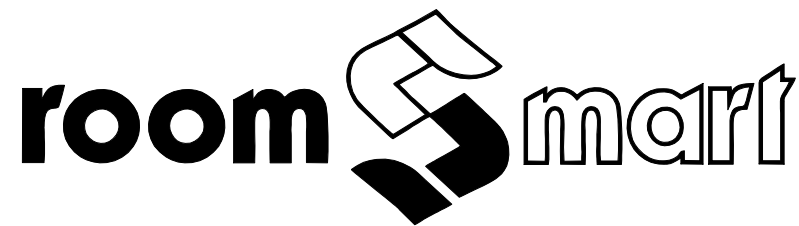
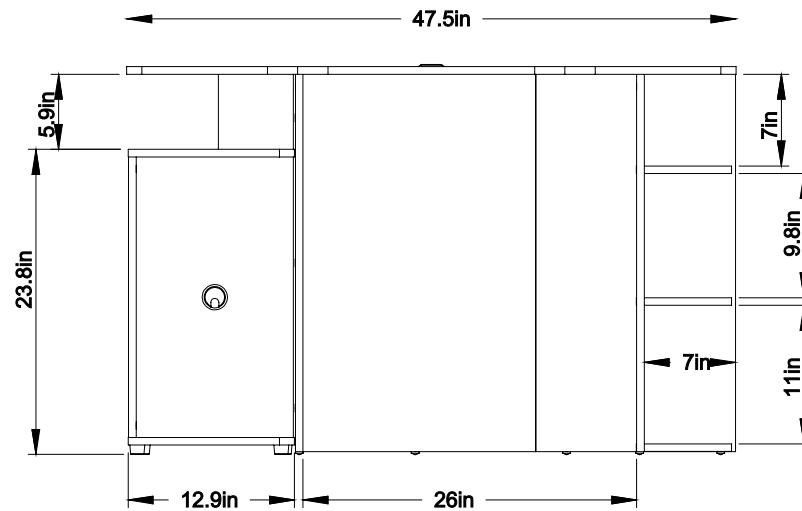
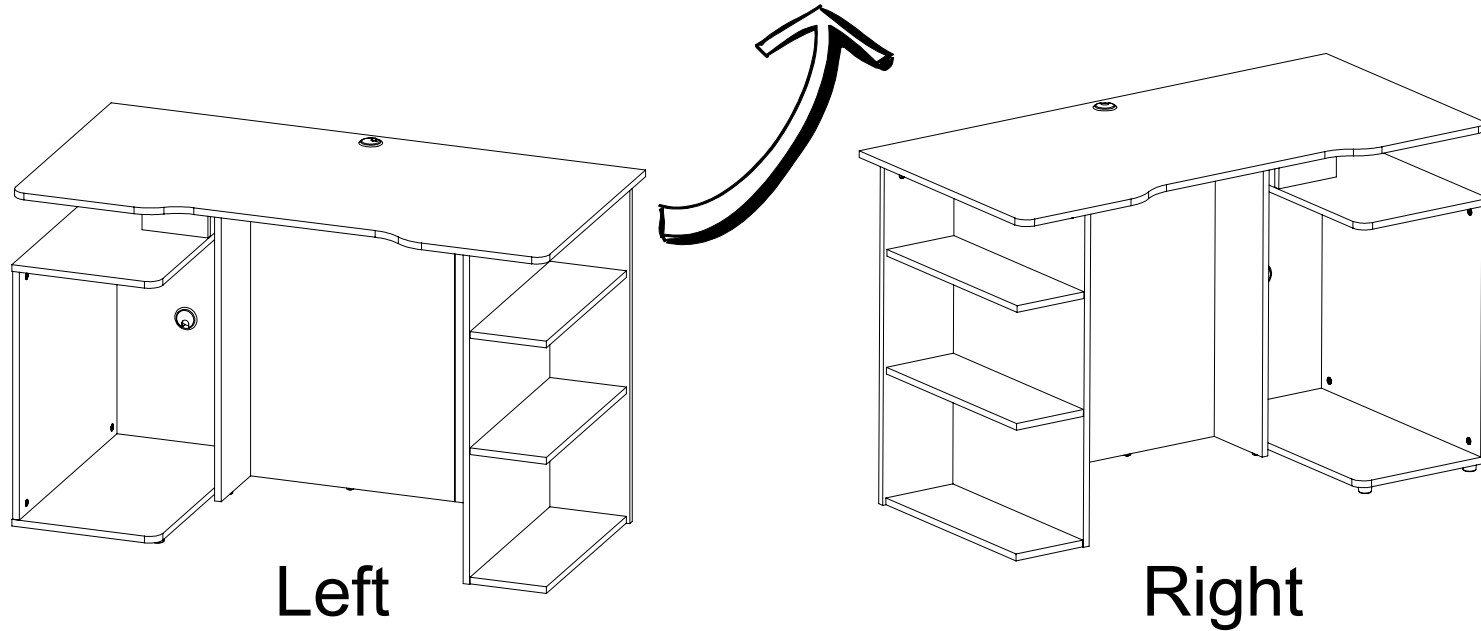


**PRO GAMER DESK**  
**COL74ES-WW**

Revisión:00/31/10/2022

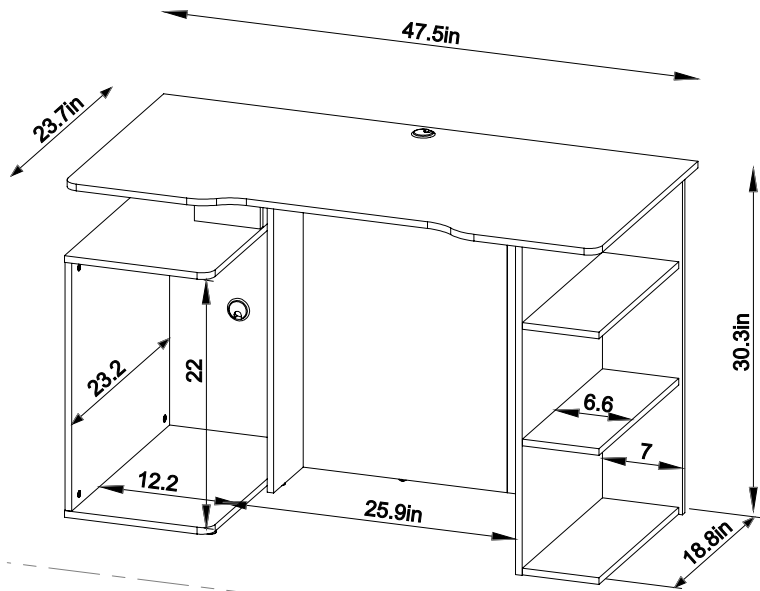


Desk with module for CPU which allows it to be placed in multiple ways.

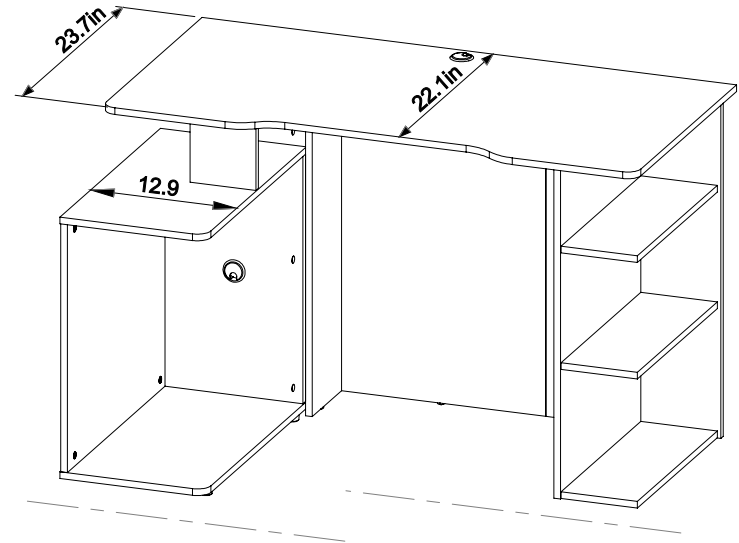


Depth: 23.7in

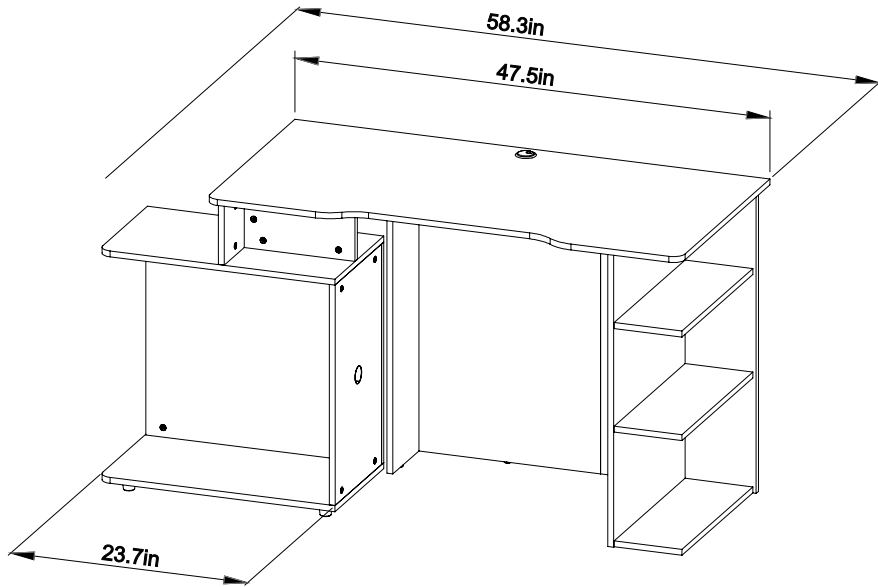




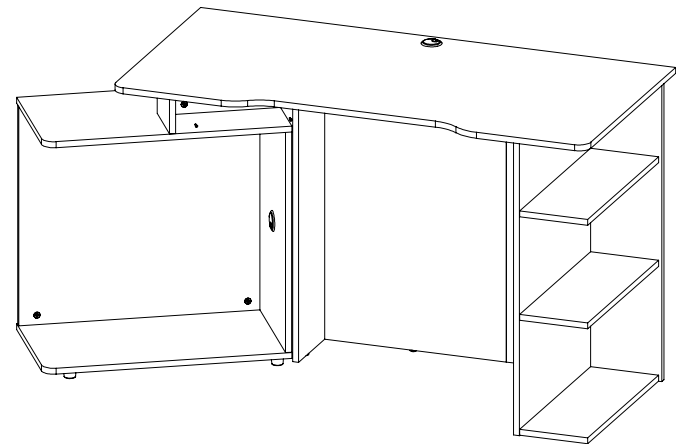
**Aligned**



**Misaligned**



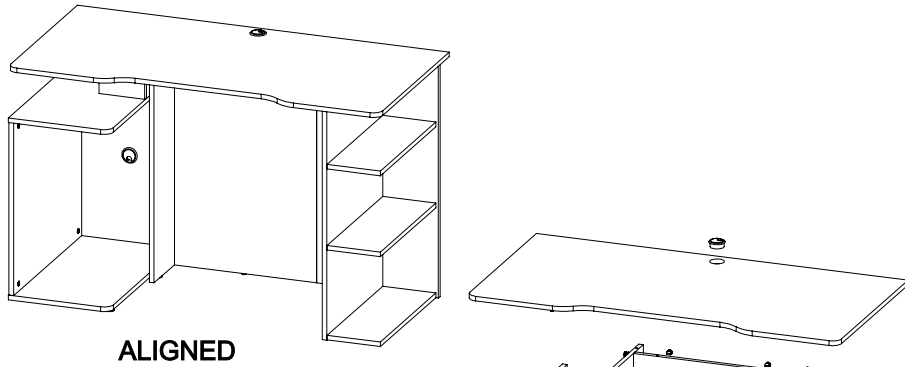
**Horizontal**



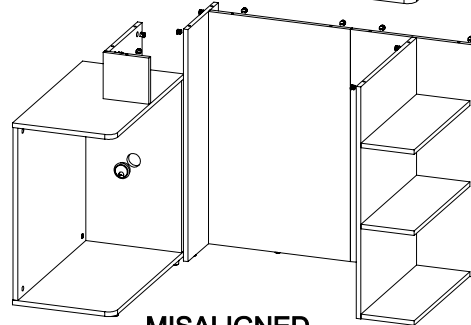
**Diagonal**

# CONFIGURATIONS

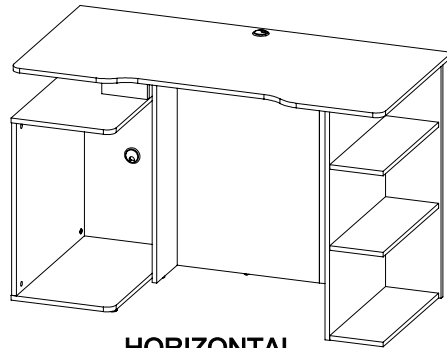
LEFT



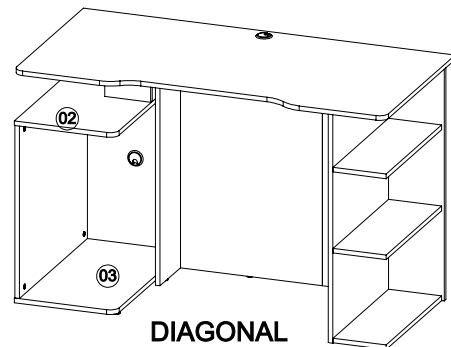
ALIGNED



MISALIGNED



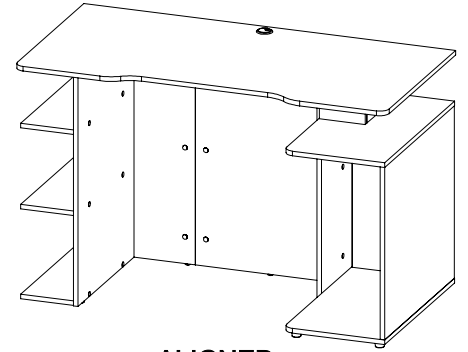
HORIZONTAL



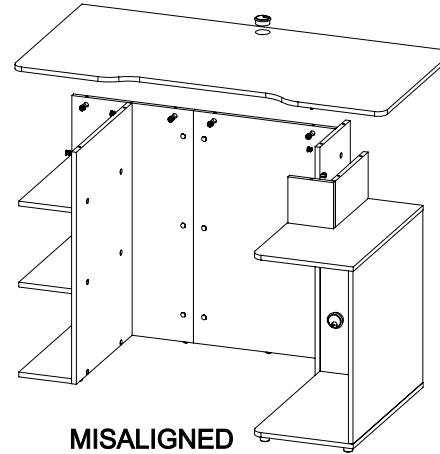
DIAGONAL

THIS STEP IS ARMED  
WITH CORNERS

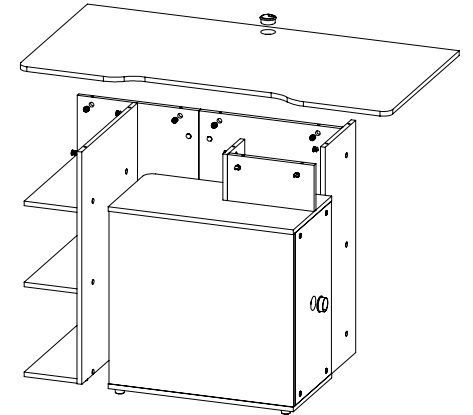
RIGHT



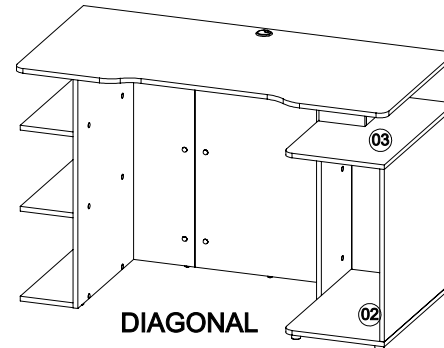
ALIGNED



MISALIGNED



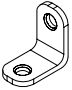

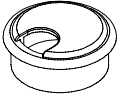
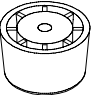
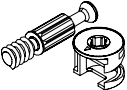
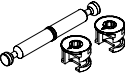

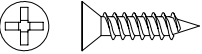
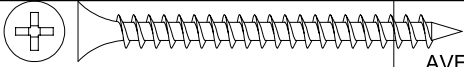


HORIZONTAL

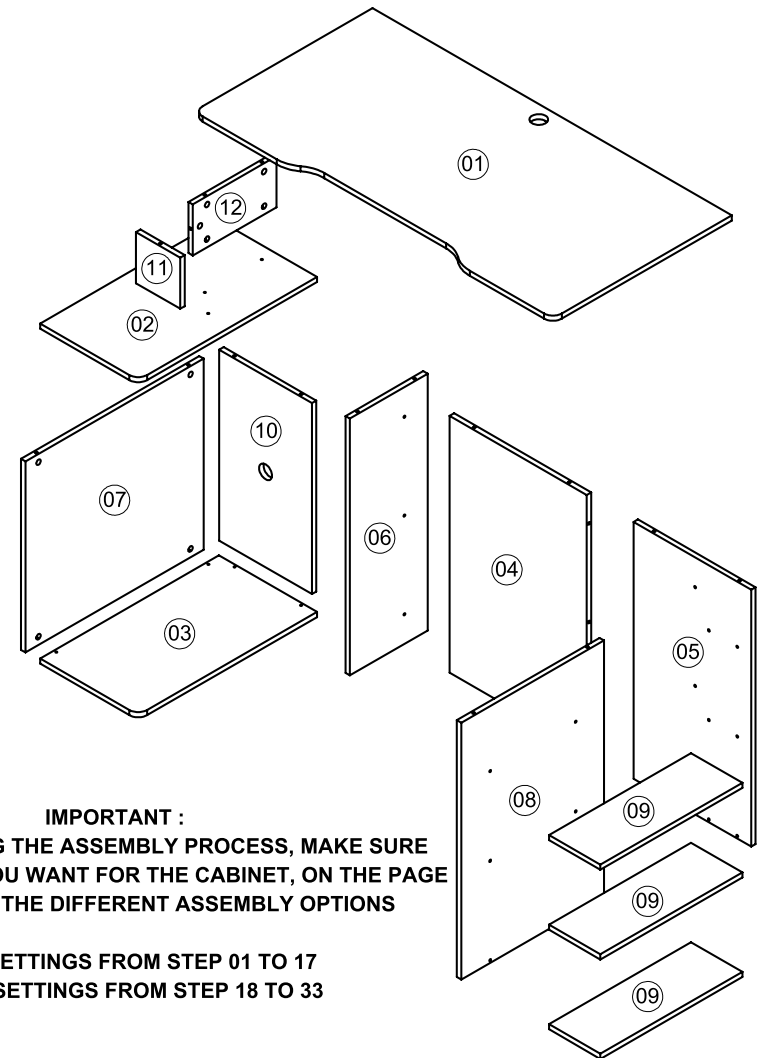


DIAGONAL

THIS STEP IS ARMED  
WITH CORNERS

# ACCESORIES

ILLUSTRATION	NAME	CANT. Q-TY	PART NUMBER
	CND1912 STEEL CORNER	<b>3</b>	0004637
	LACE SLIPPER	<b>5</b>	BL 007391
	43*15 MM DESK GROMMET	<b>2</b>	BL 007426
	30*20 LEG	<b>4</b>	BL 0004678
	MINIFIX 15MM CONNECTOR BOLT	<b>23</b>	0002715
	MINIFIX 15MM CONNECTOR BOLT DOUBLE	<b>3</b>	012378
	ADHESIVE SCREW COVER	<b>24</b>	WE 012557
	6 x 5/8 AVE PHI ZINC SCREW	<b>6</b>	0004705
	6x2 AVE PHI SCREW	<b>18</b>	0000152
	8X5/8 PAN PHI SCREW	<b>4</b>	0004679
	ADHESIVE SCREW COVER	<b>23</b>	0002299

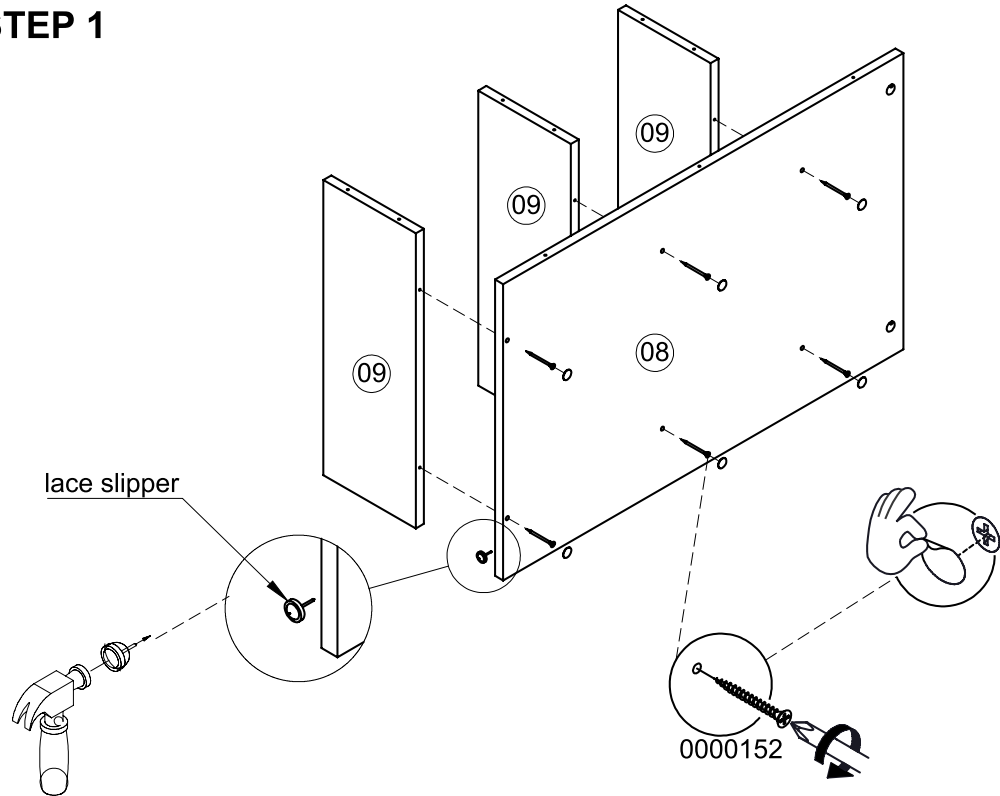


**IMPORTANT :**  
**BEFORE STARTING THE ASSEMBLY PROCESS, MAKE SURE**  
**OF THE POSITION YOU WANT FOR THE CABINET, ON THE PAGE**  
**PREVIOUS ARE THE DIFFERENT ASSEMBLY OPTIONS**

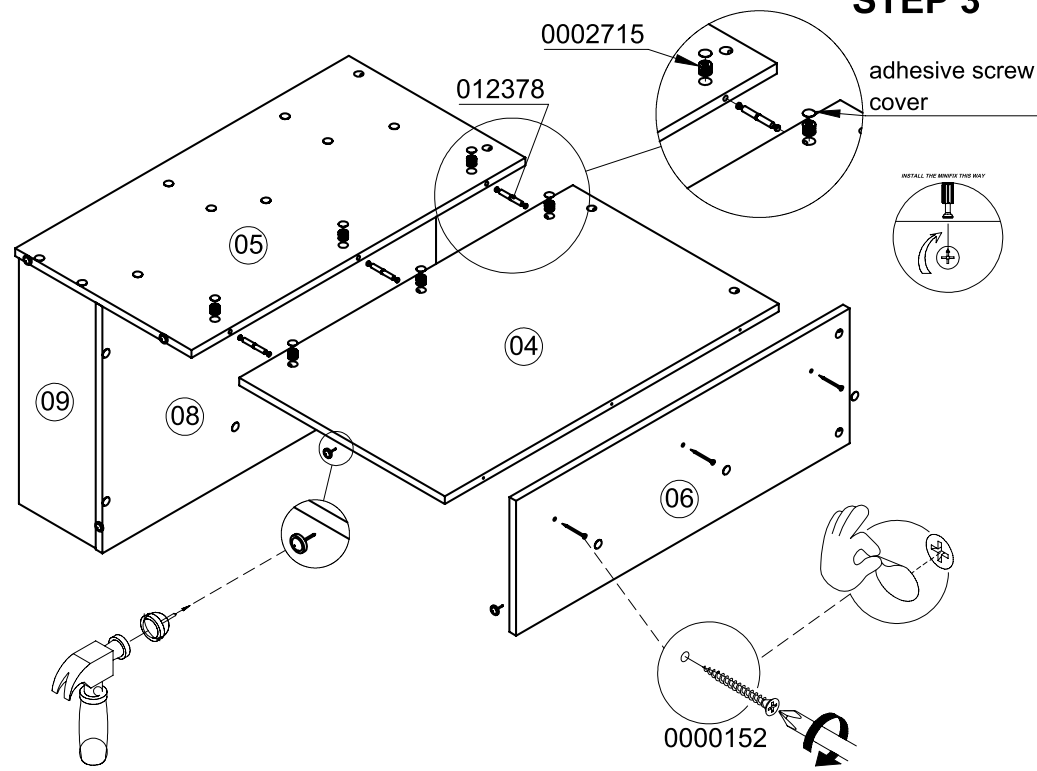
- \* LEFT SETTINGS FROM STEP 01 TO 17
- \* RIGHT SETTINGS FROM STEP 18 TO 33

The information and characteristics of accessories that appear in this ASSEMBLY MANUAL may be subject to change depending on their effective availability and may vary according to the marketed version. MADERKIT S.A. reserves the right to make changes at any time and without prior notice. This information is based on the latest update provided by the manufacturer, and the definitive characteristics of the furniture will be those known and accepted by the buyer. Valid until a new factory update. The parts and/or accessories that must be replaced for warranty purposes will be made by the equivalent version available at the time of the item to be replaced.

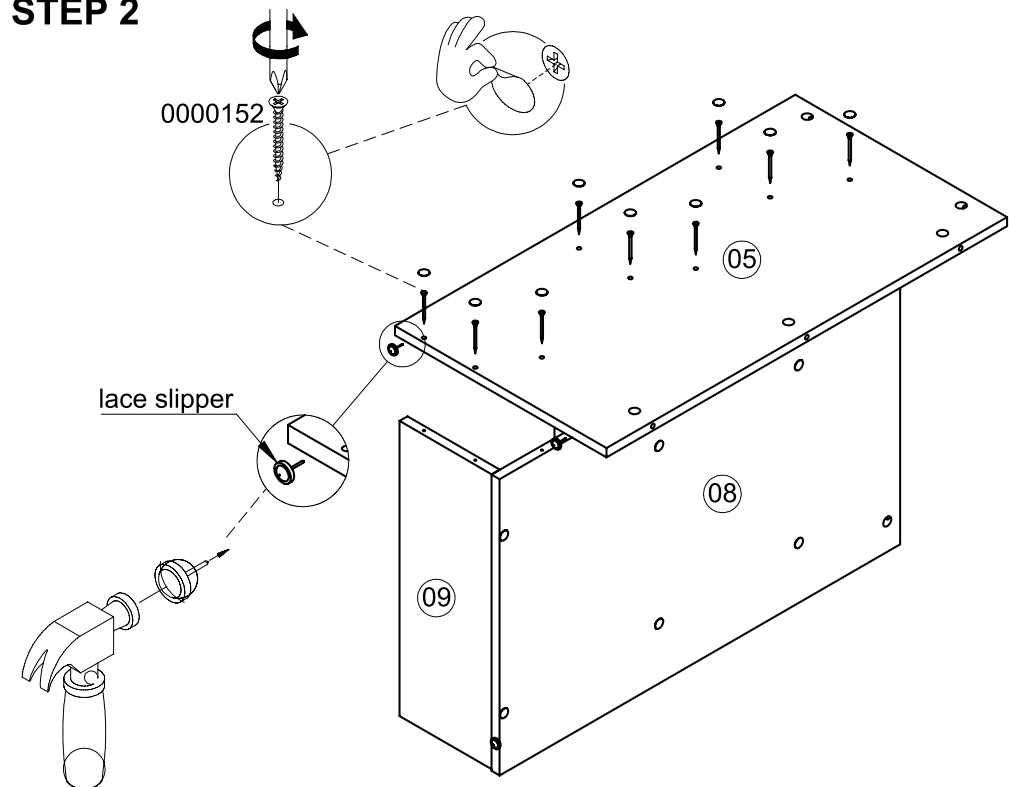
# STEP 1



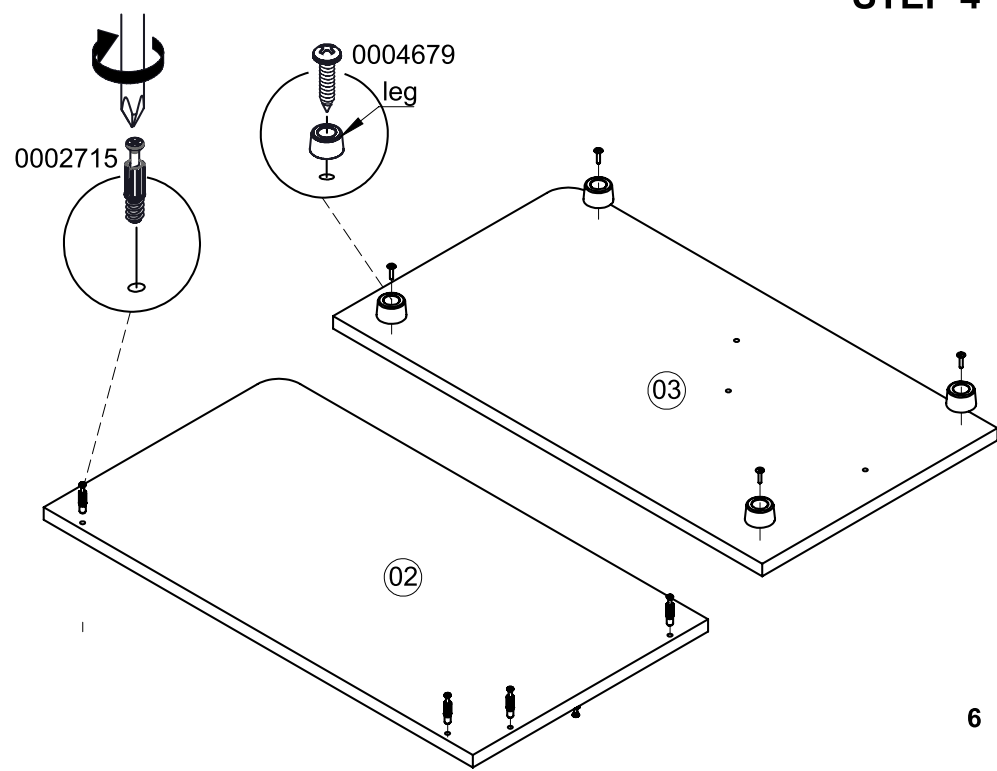
# STEP 3



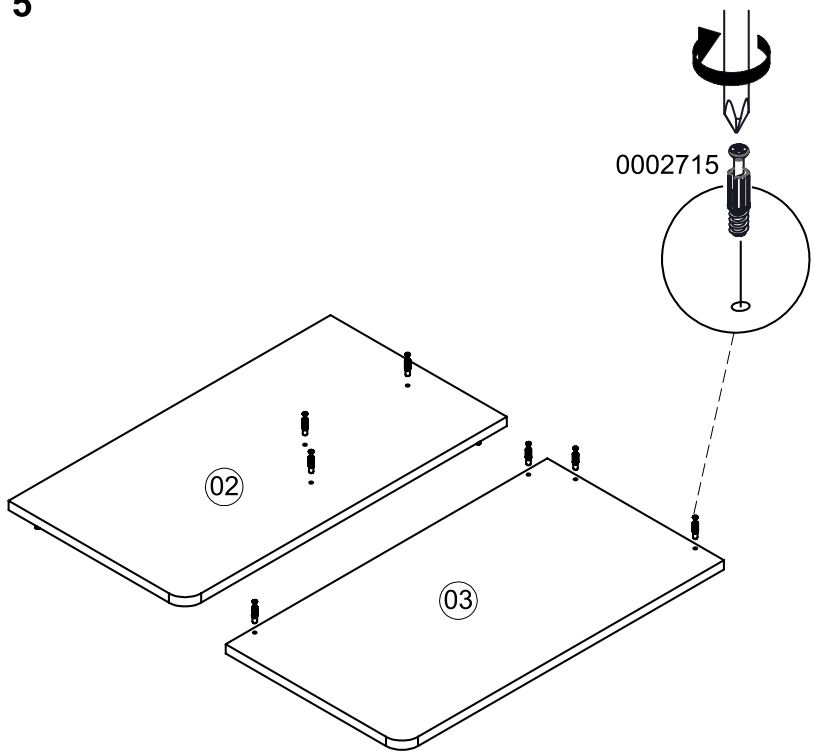
# STEP 2



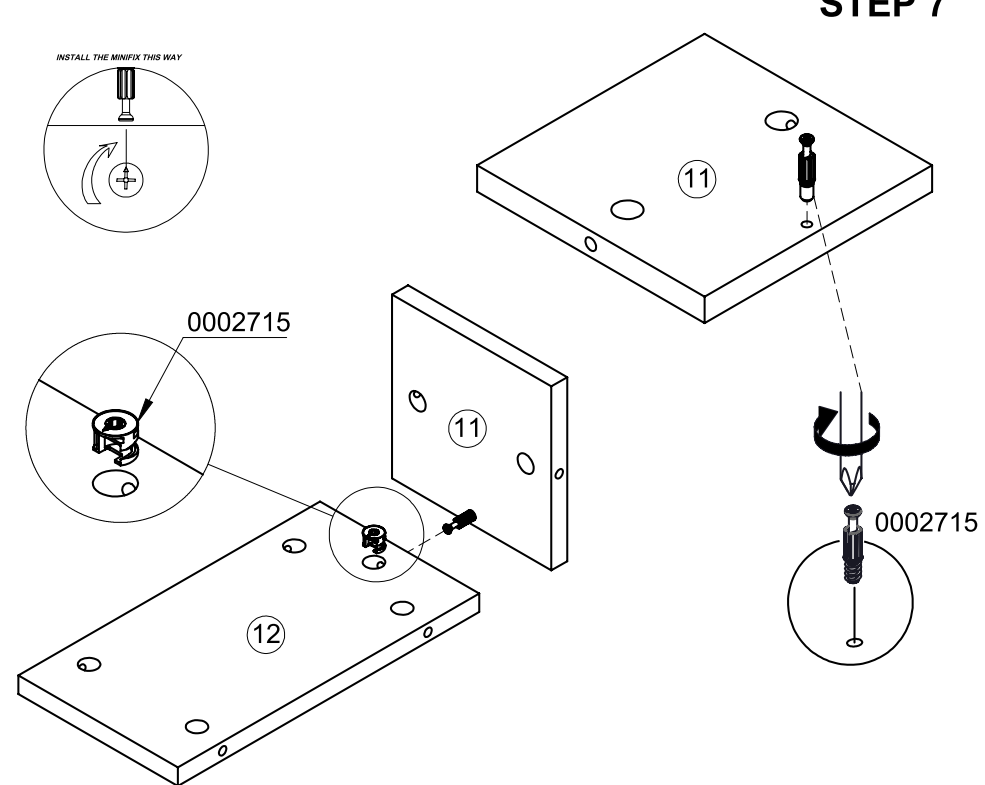
# STEP 4



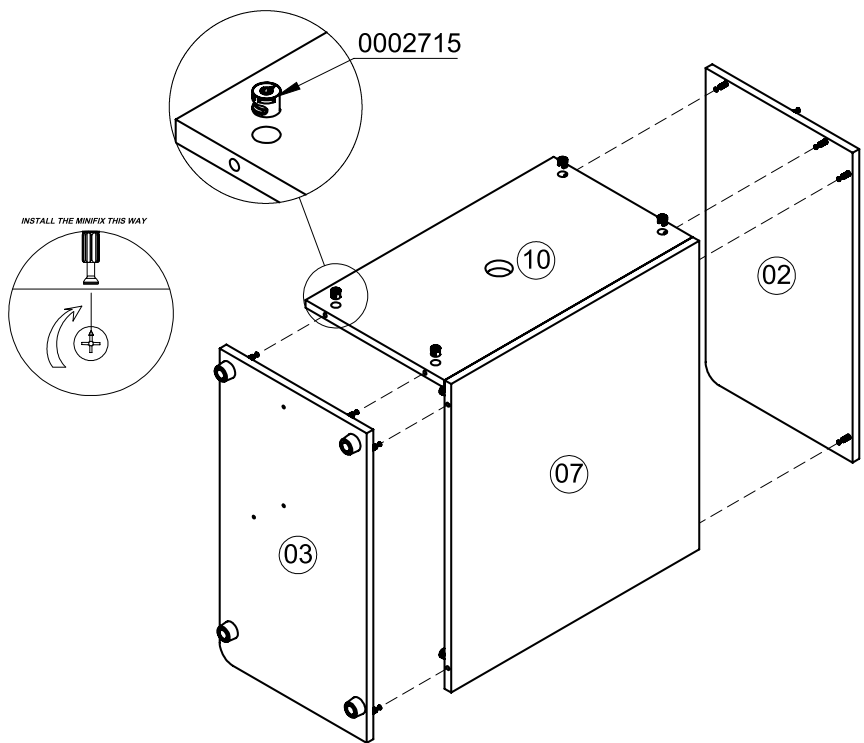
# STEP 5



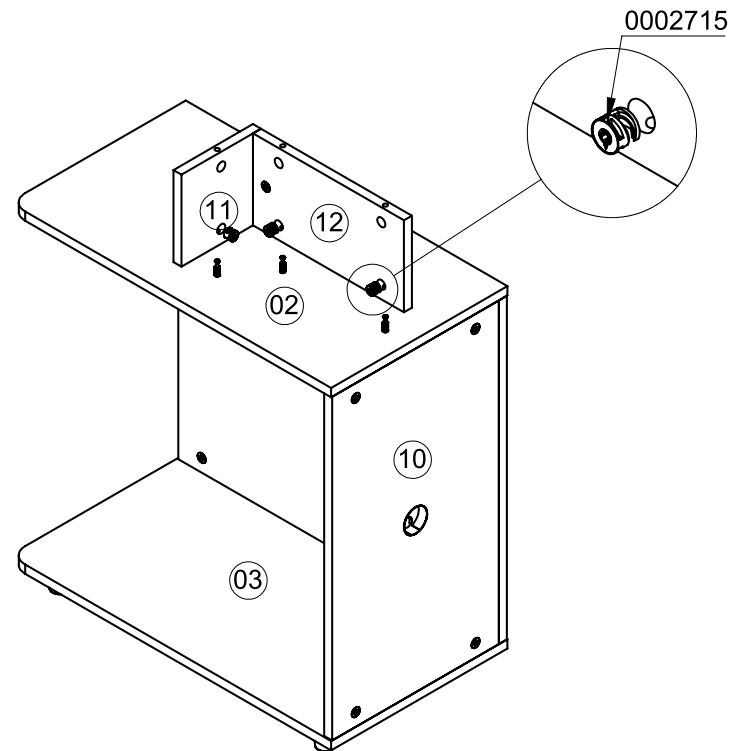
# STEP 7



# STEP 6

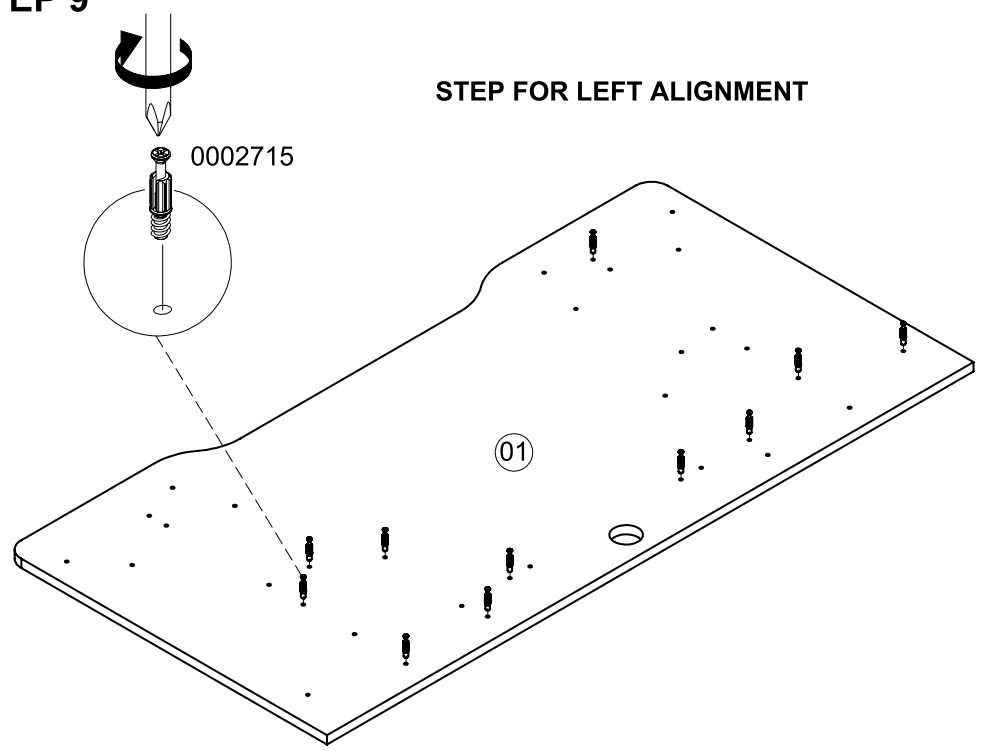


# STEP 8



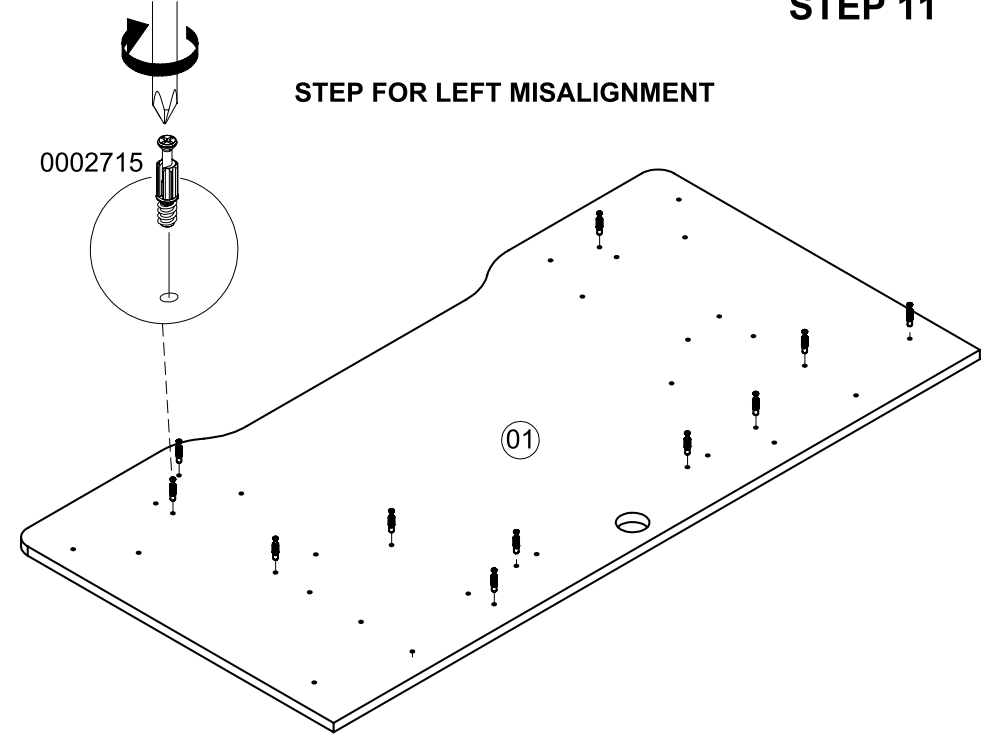
**STEP 9**

**STEP FOR LEFT ALIGNMENT**



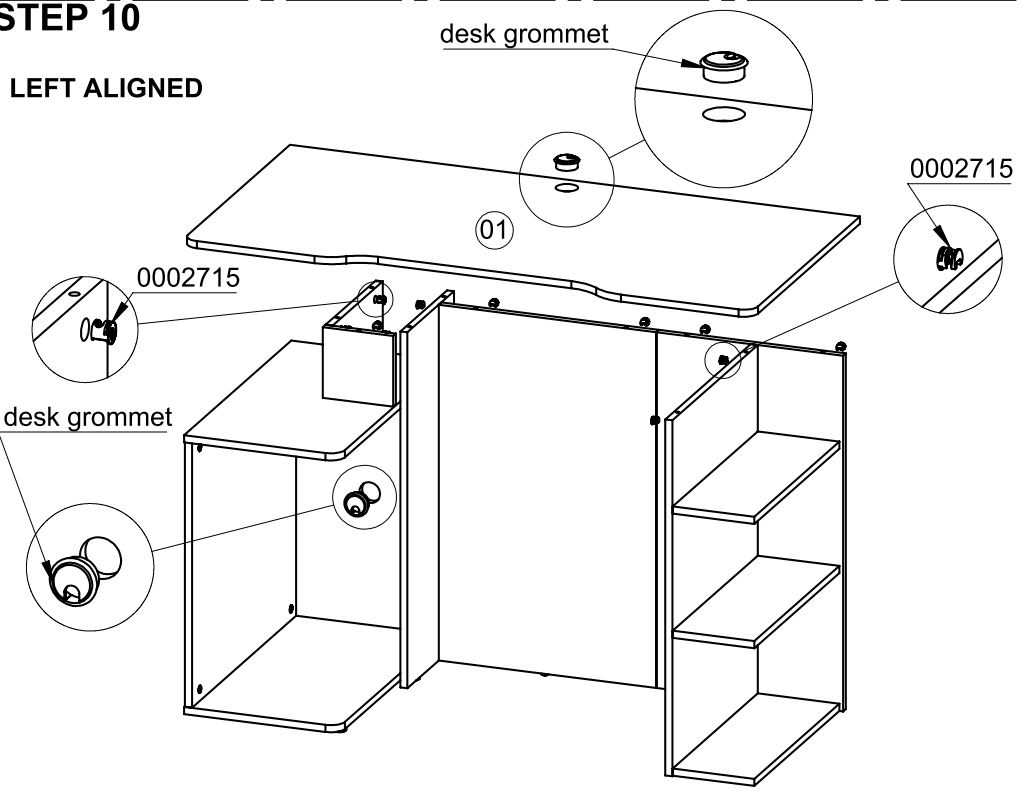
**STEP 11**

**STEP FOR LEFT MISALIGNMENT**



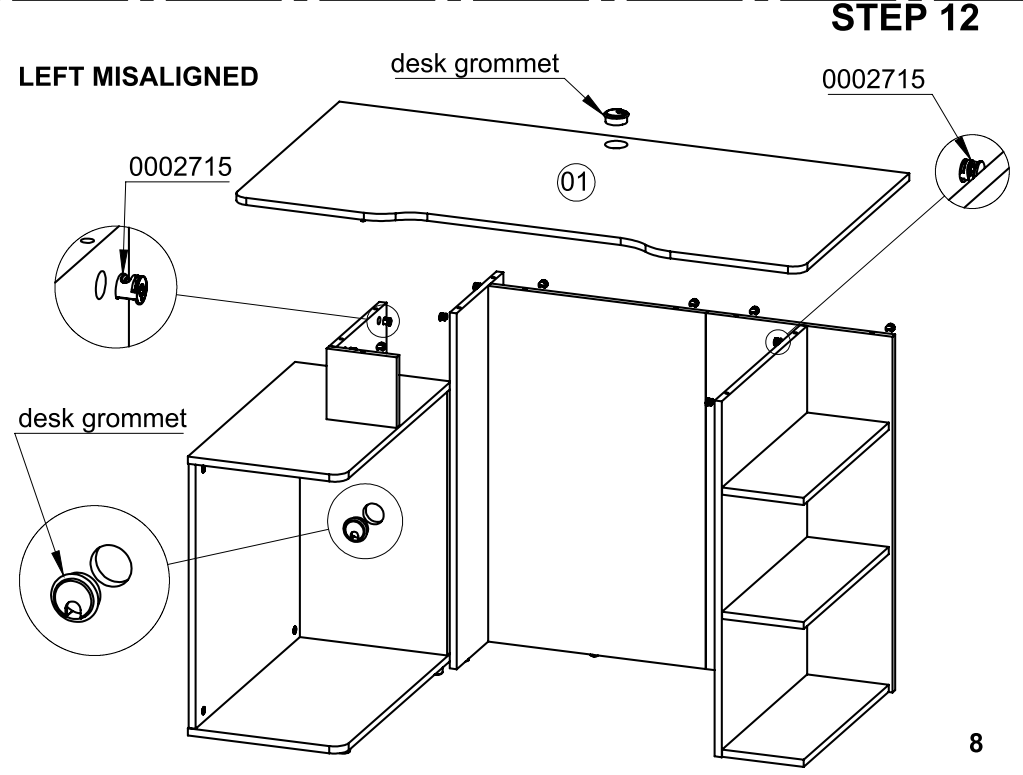
**STEP 10**

**LEFT ALIGNED**



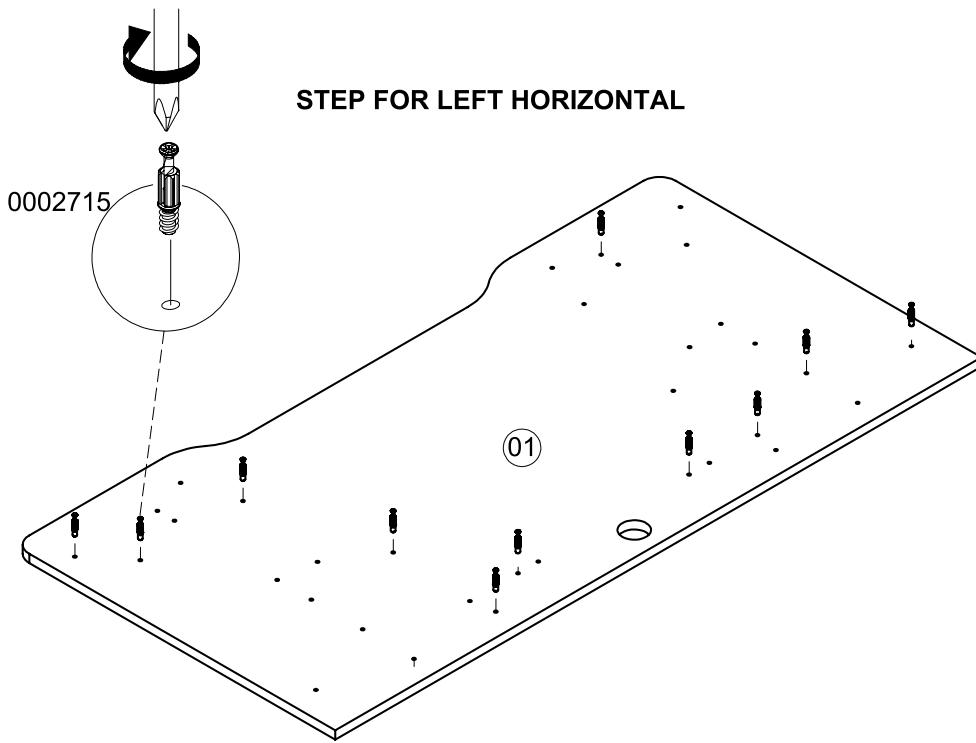
**STEP 12**

**LEFT MISALIGNED**



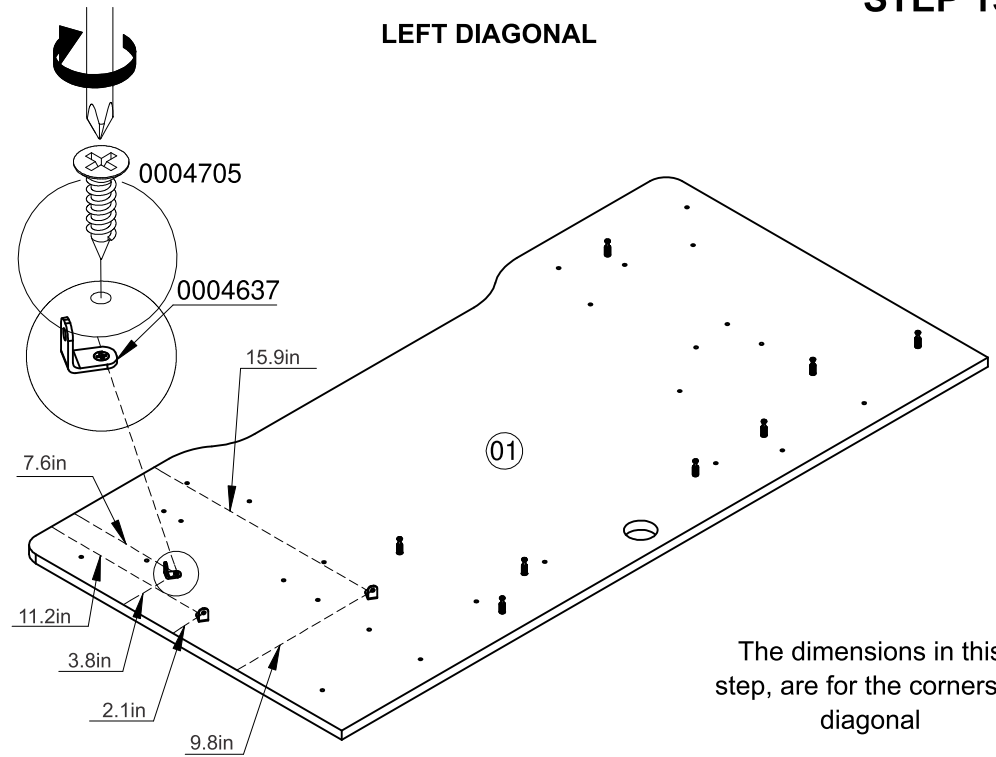
# STEP 13

## STEP FOR LEFT HORIZONTAL



# STEP 15

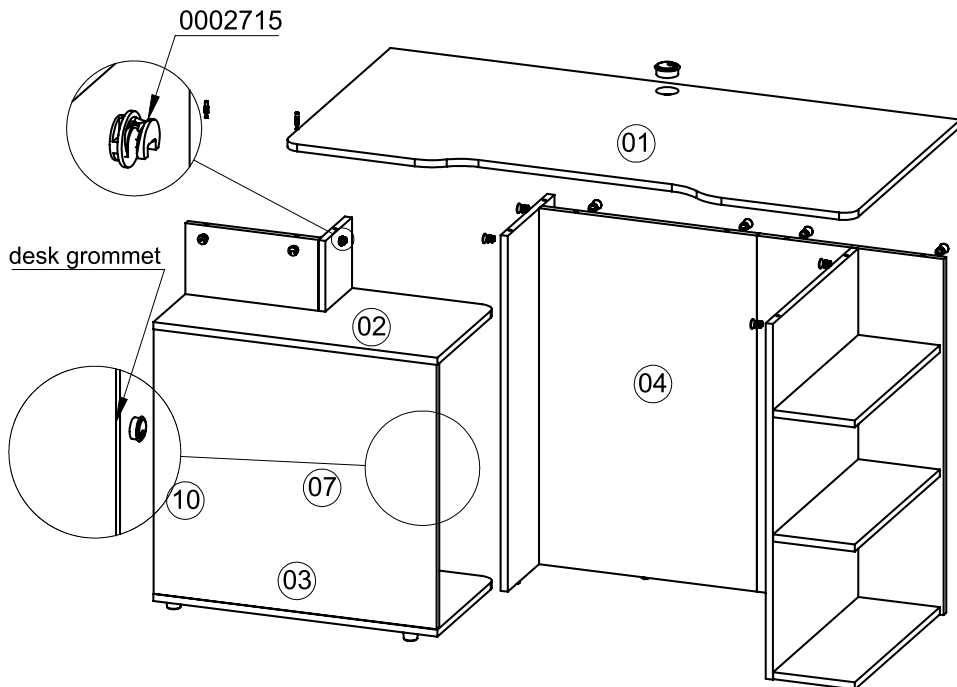
## LEFT DIAGONAL



The dimensions in this step, are for the corners in diagonal

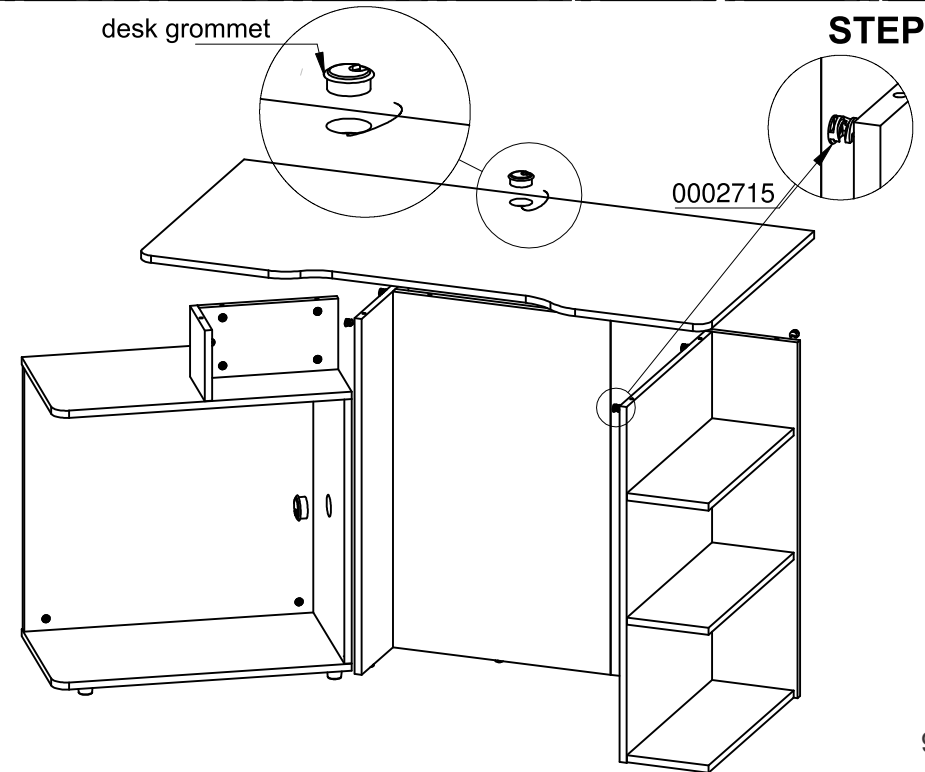
# STEP 14

## LEFT HORIZONTAL

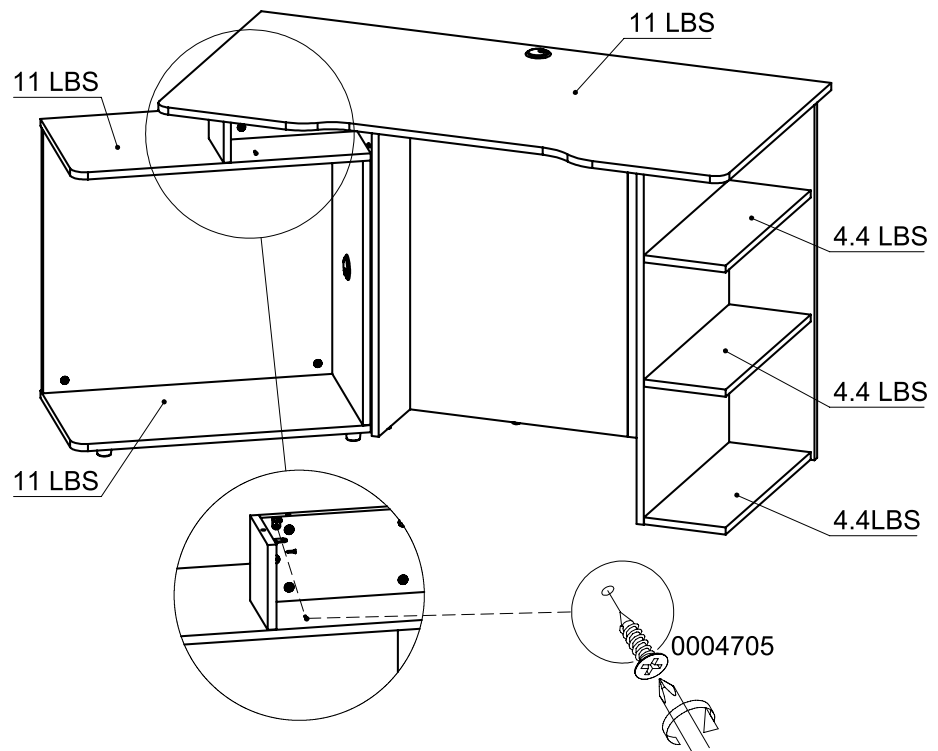


# STEP 16

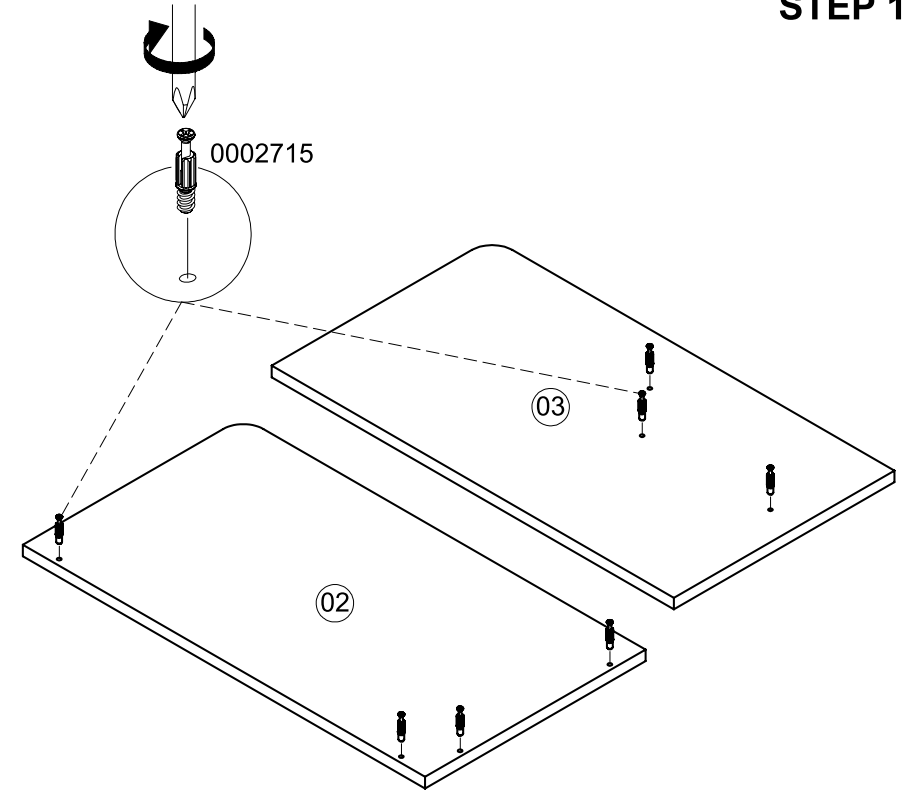
## desk grommet



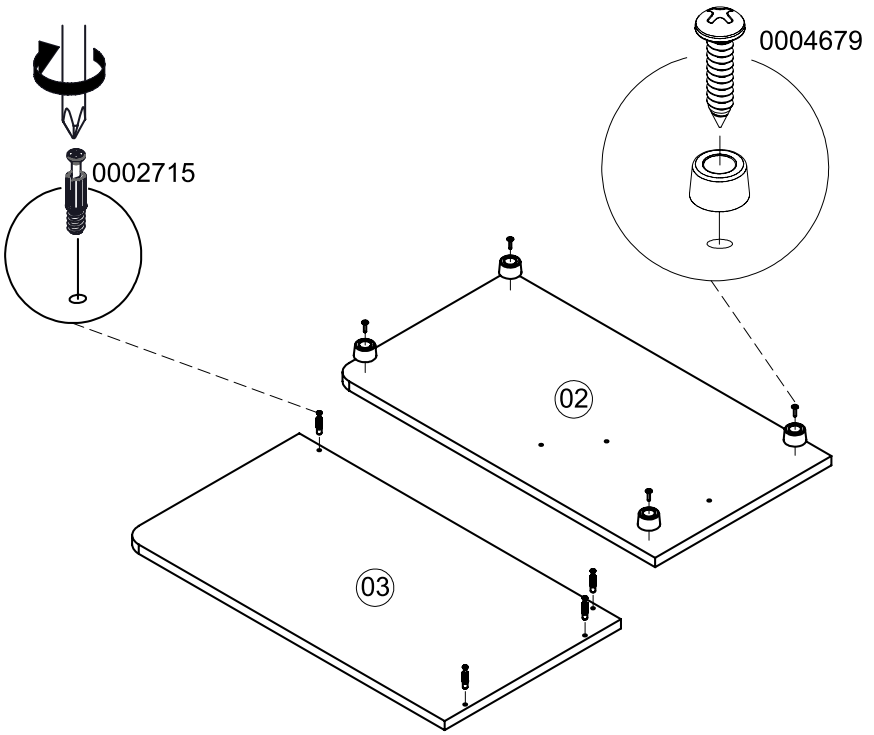
# STEP 17



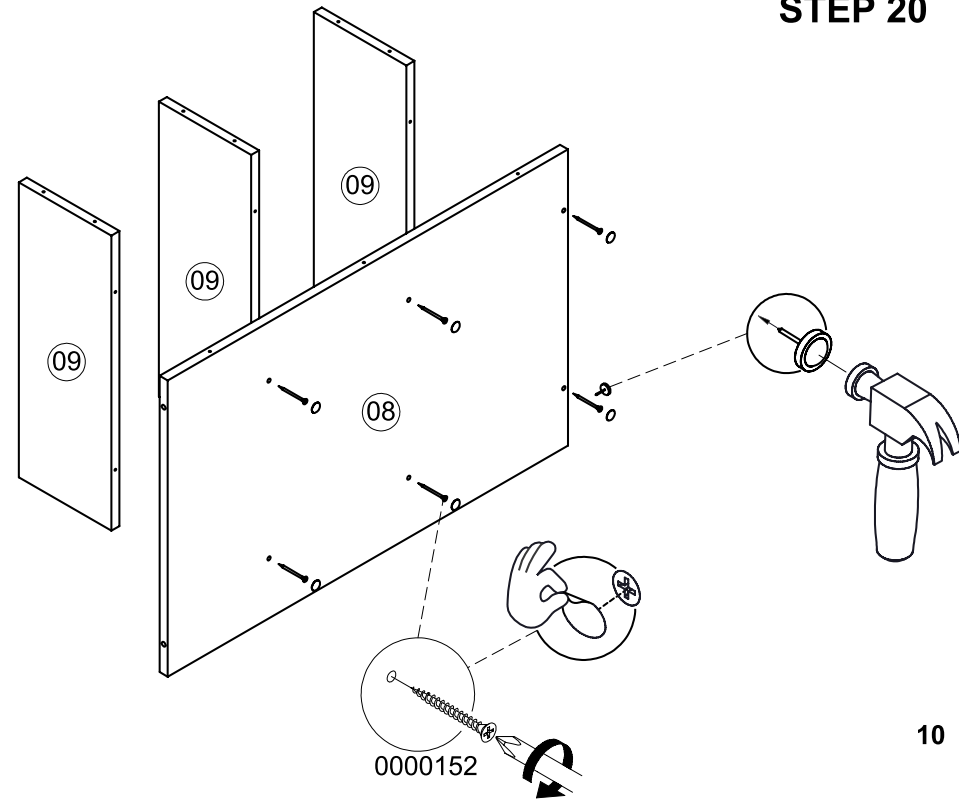
# STEP 19



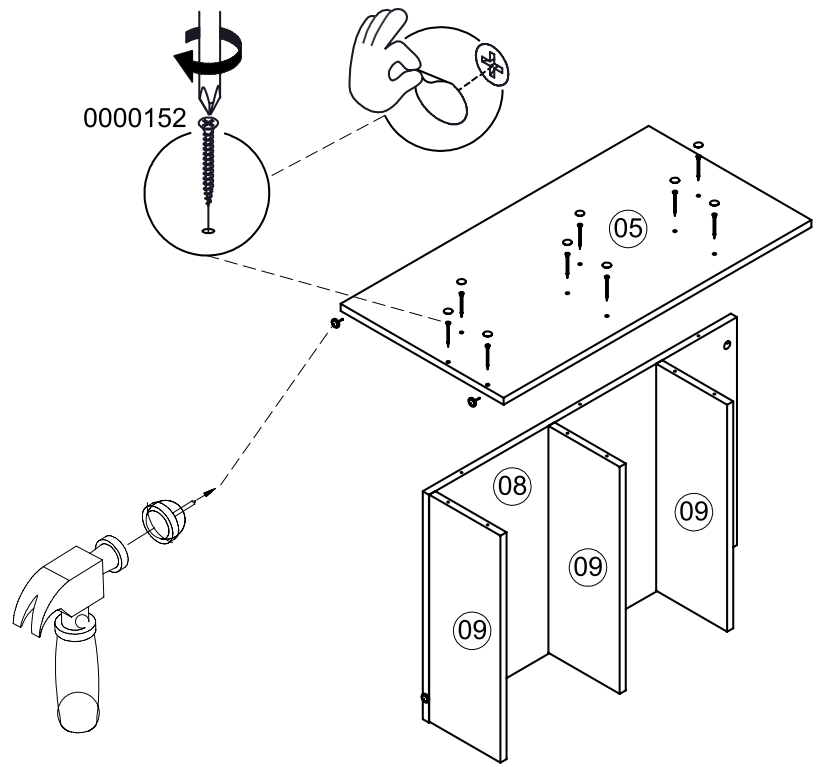
# STEP 18



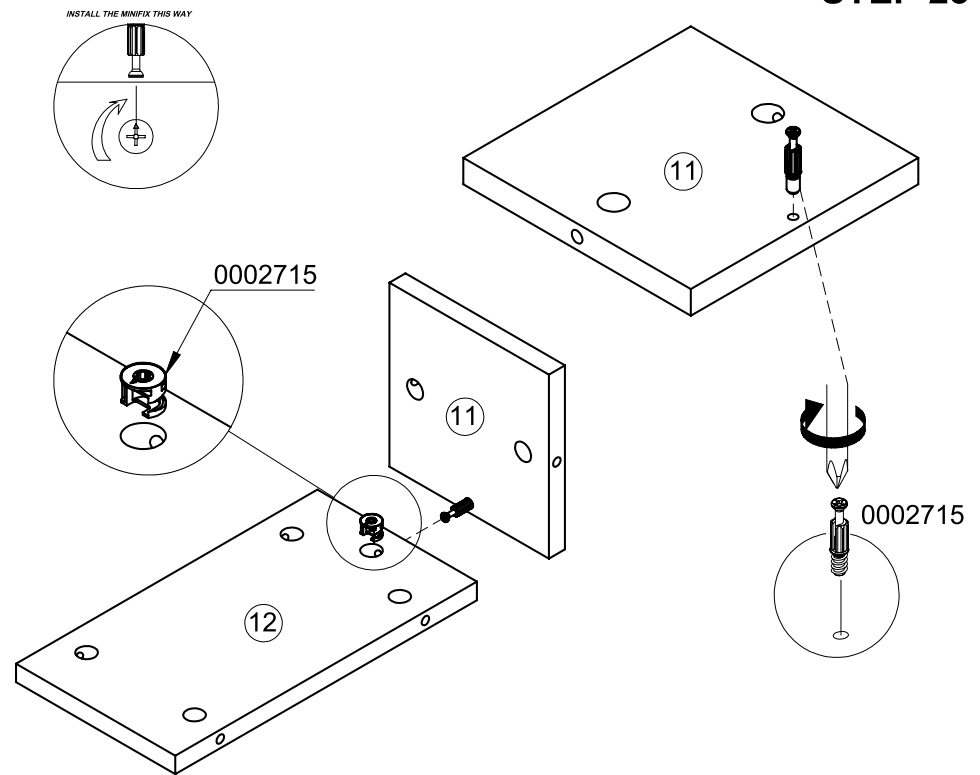
# STEP 20



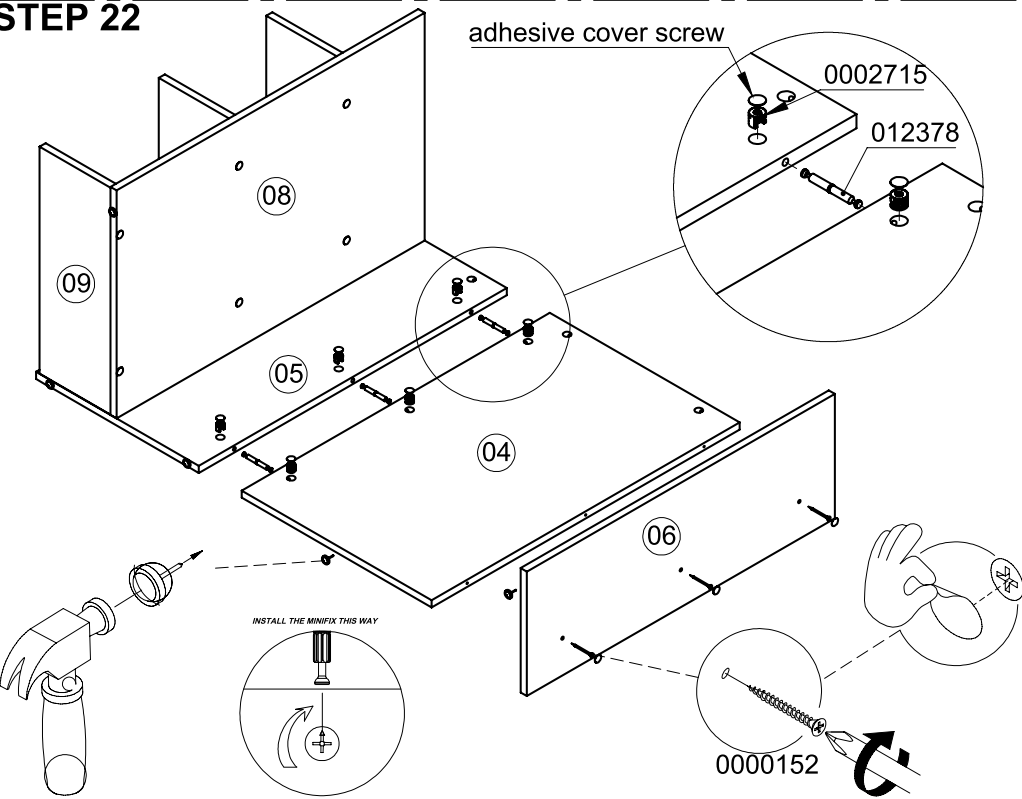
# STEP 21



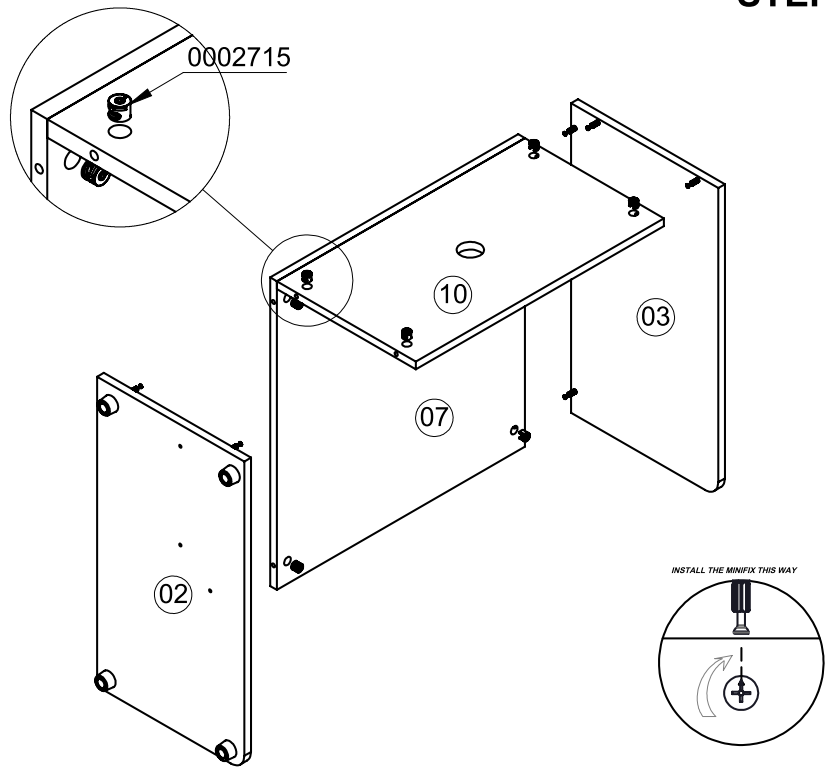
# STEP 23



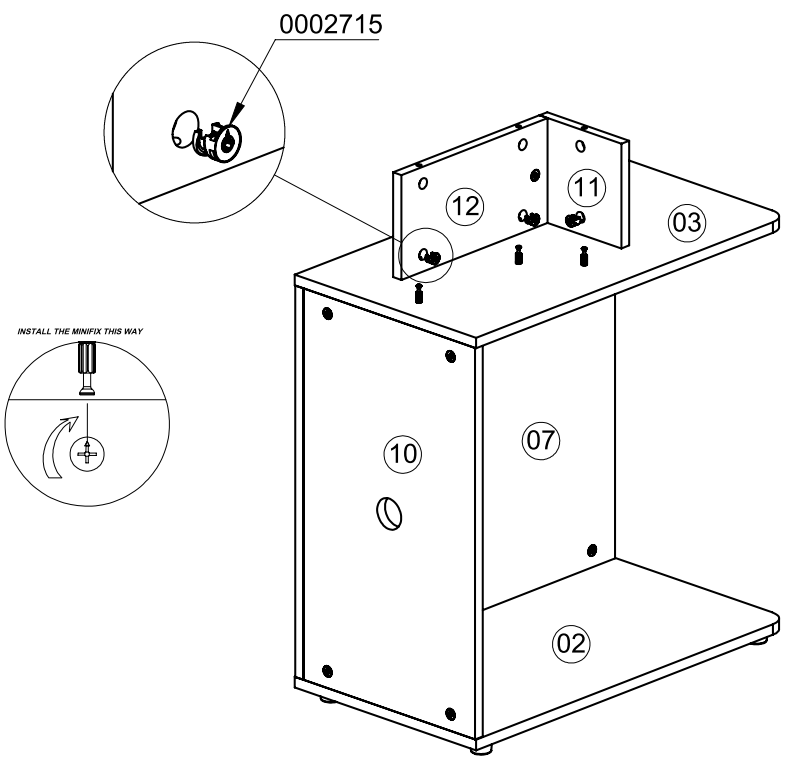
# STEP 22



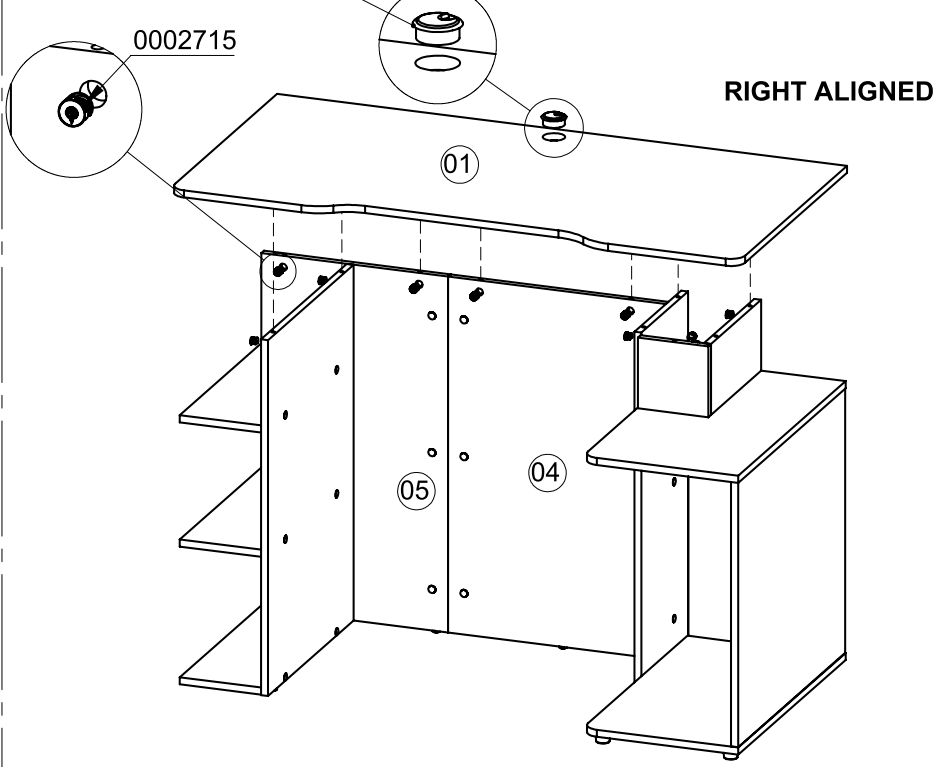
# STEP 24



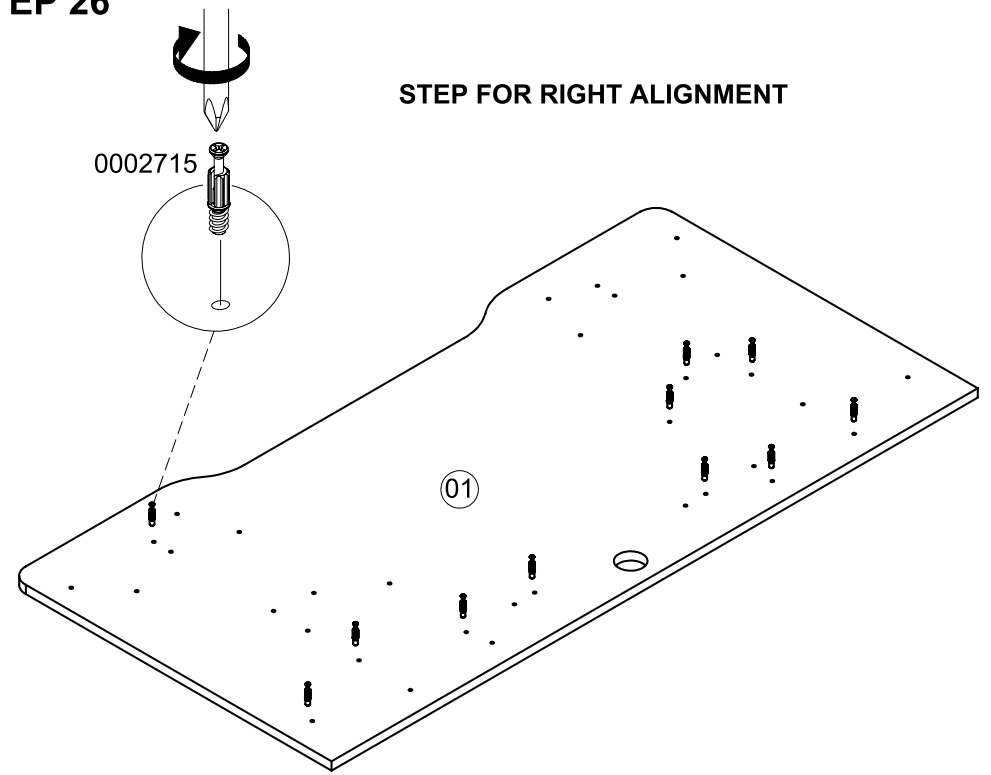
# STEP 25



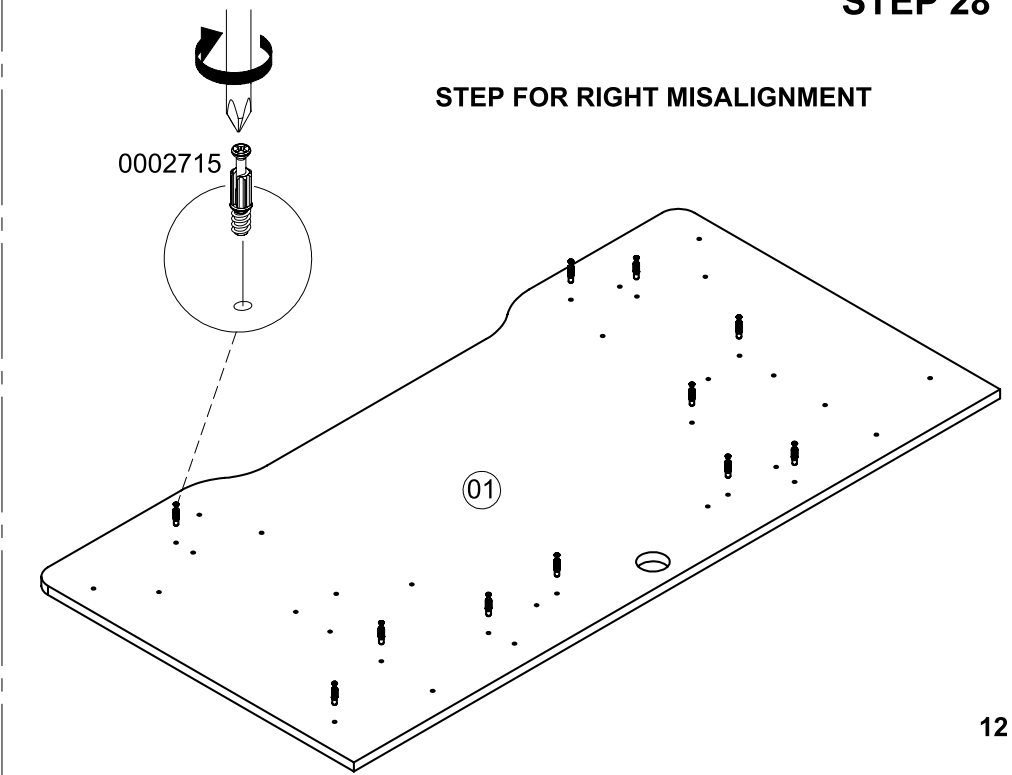
# STEP 27



# STEP 26

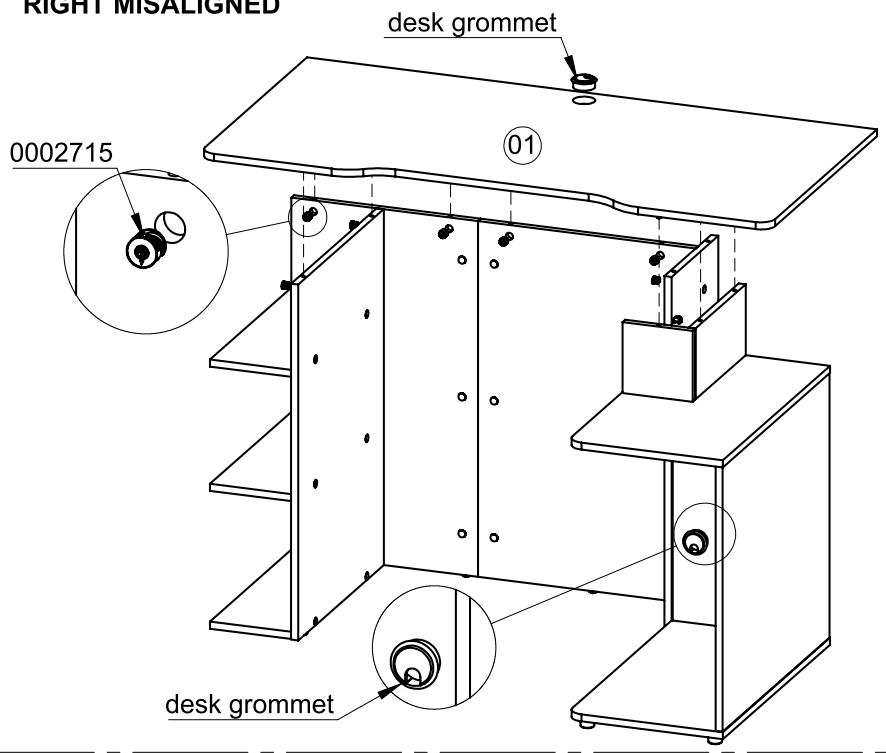


# STEP 28

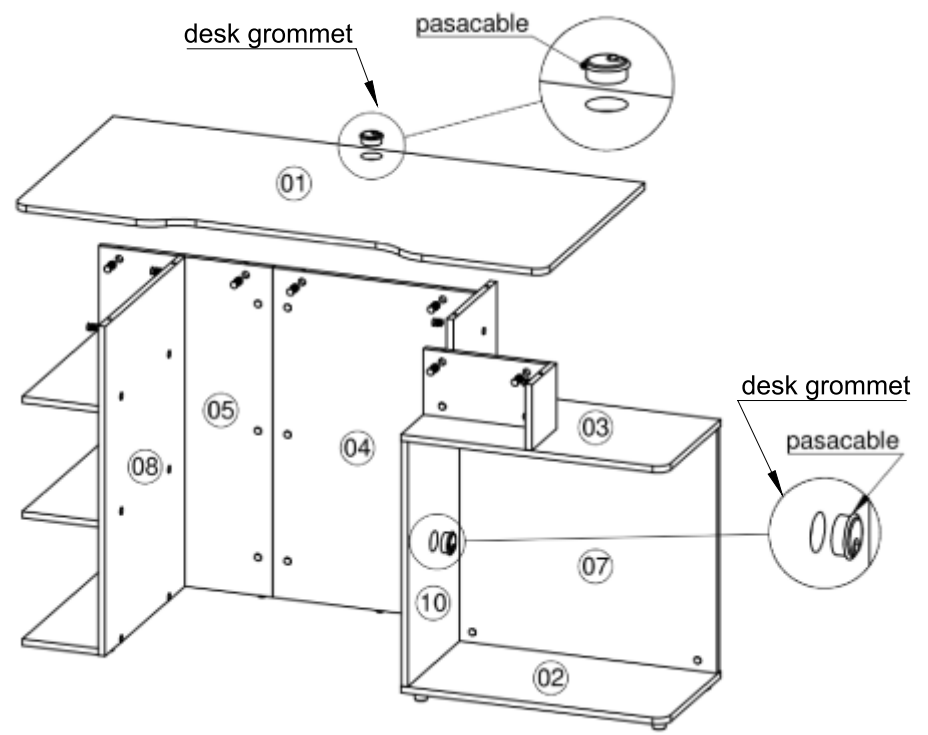


# STEP 29

RIGHT MISALIGNED

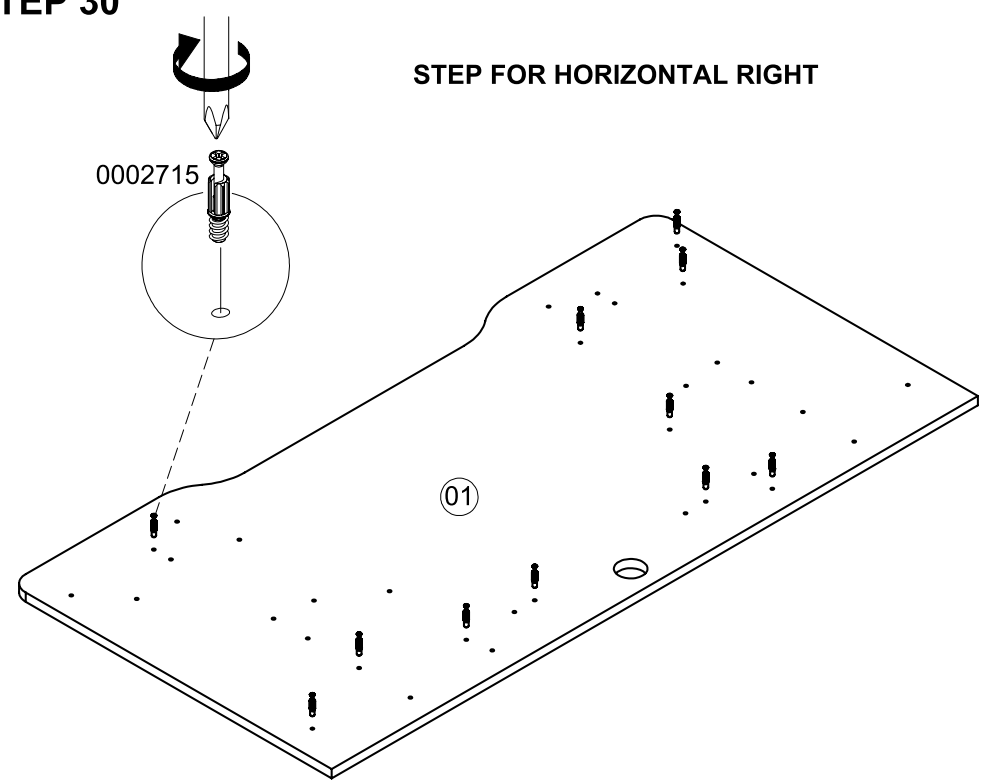


# STEP 31



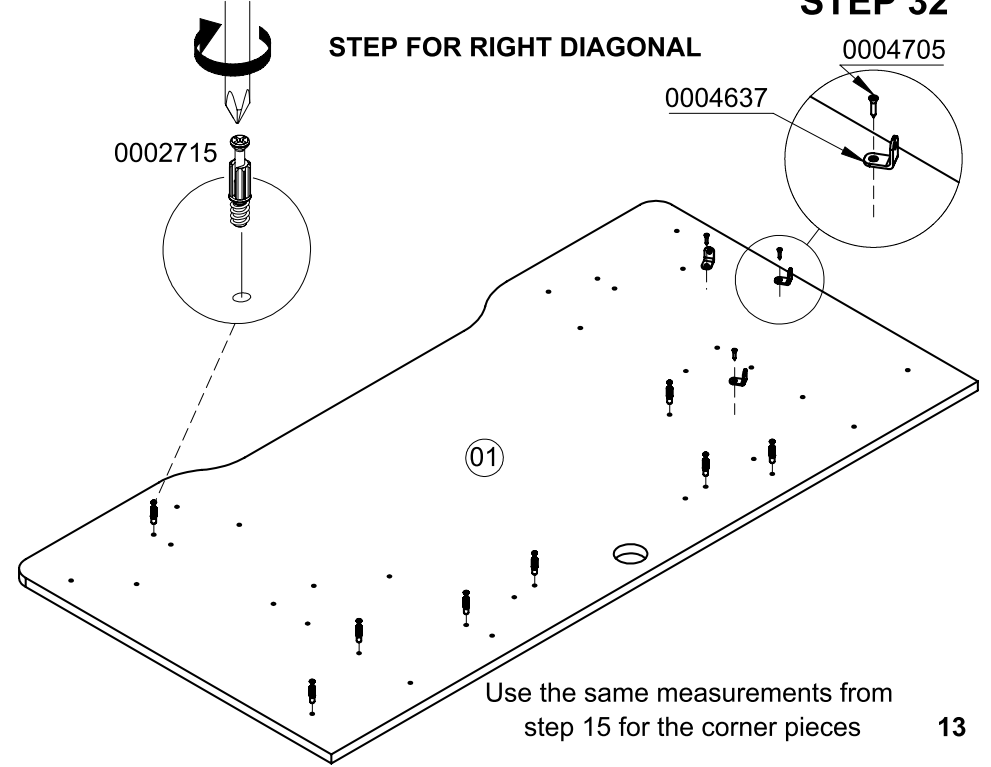
# STEP 30

STEP FOR HORIZONTAL RIGHT



# STEP 32

STEP FOR RIGHT DIAGONAL

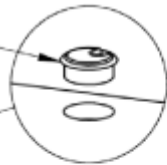


Use the same measurements from step 15 for the corner pieces

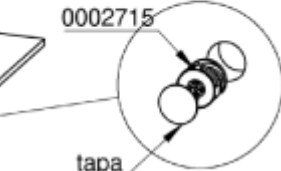
# STEP 33

RIGHT DIAGONAL  
DIAGONAL DERECHO

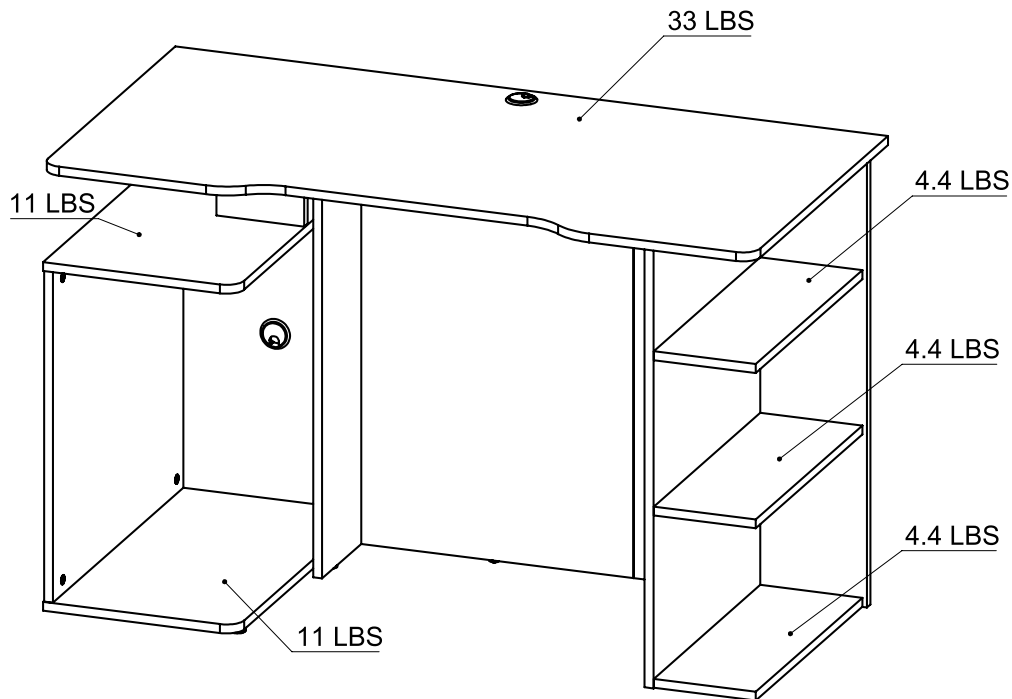
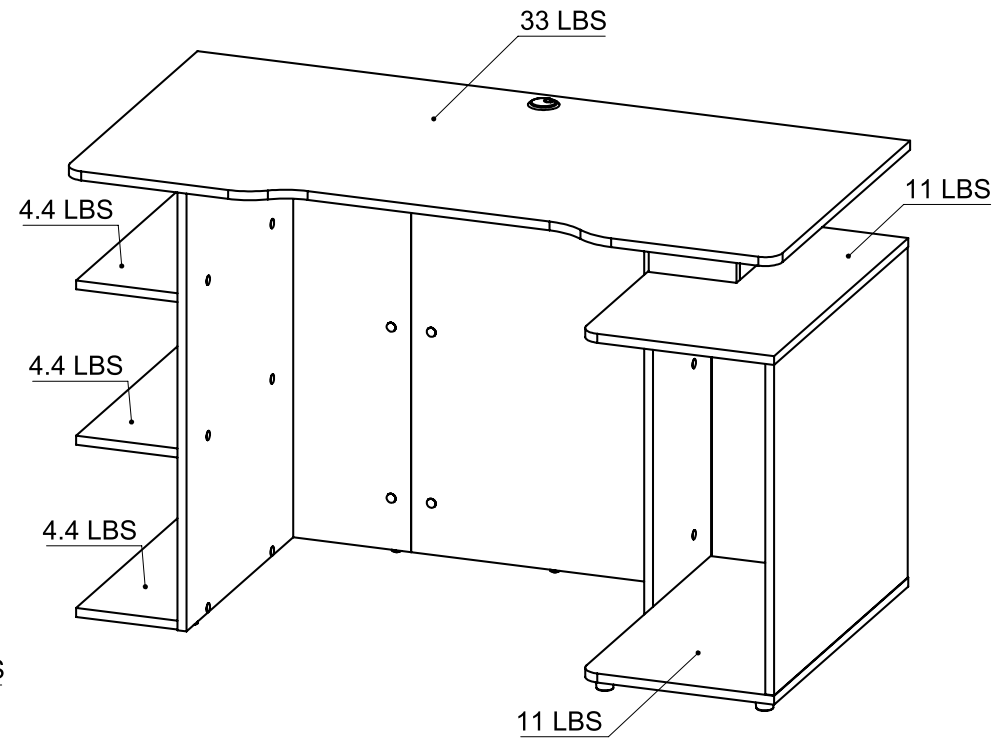
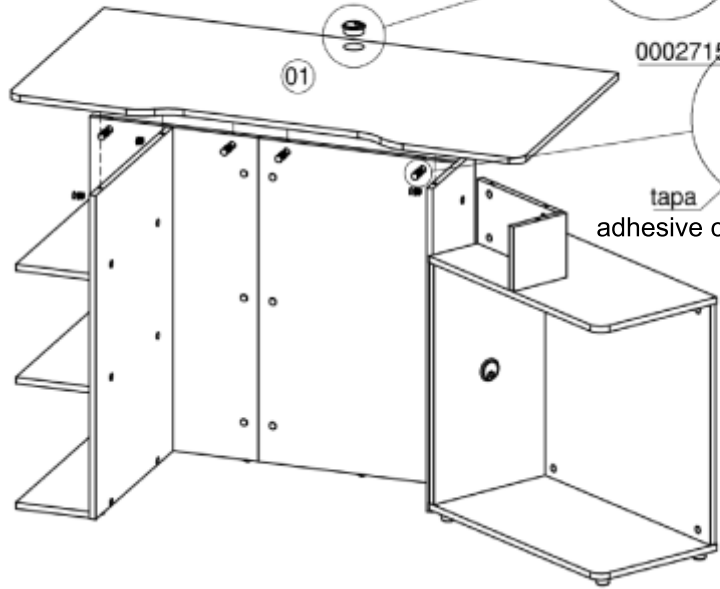
pasacable  
desk grommet

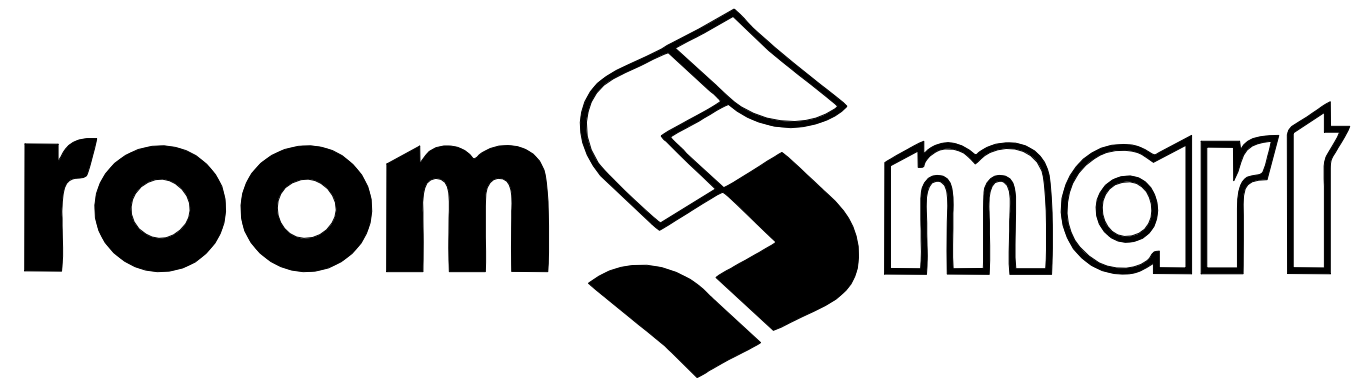


0002715



tapa  
adhesive cover screw





THANK YOU  
ASSEMBLY MANUAL  
DOWNLOAD FROM:  
ROOMSMART.COM  
FURNITURE4LESS.STORE