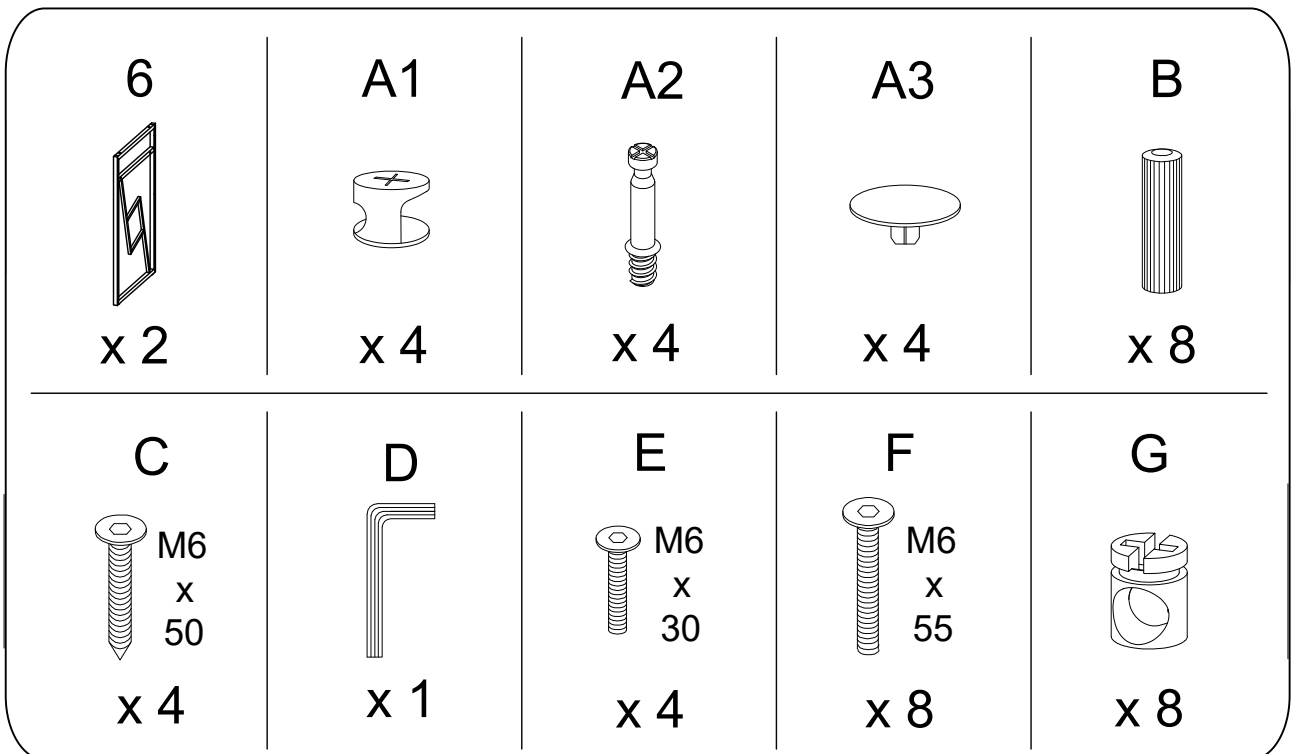
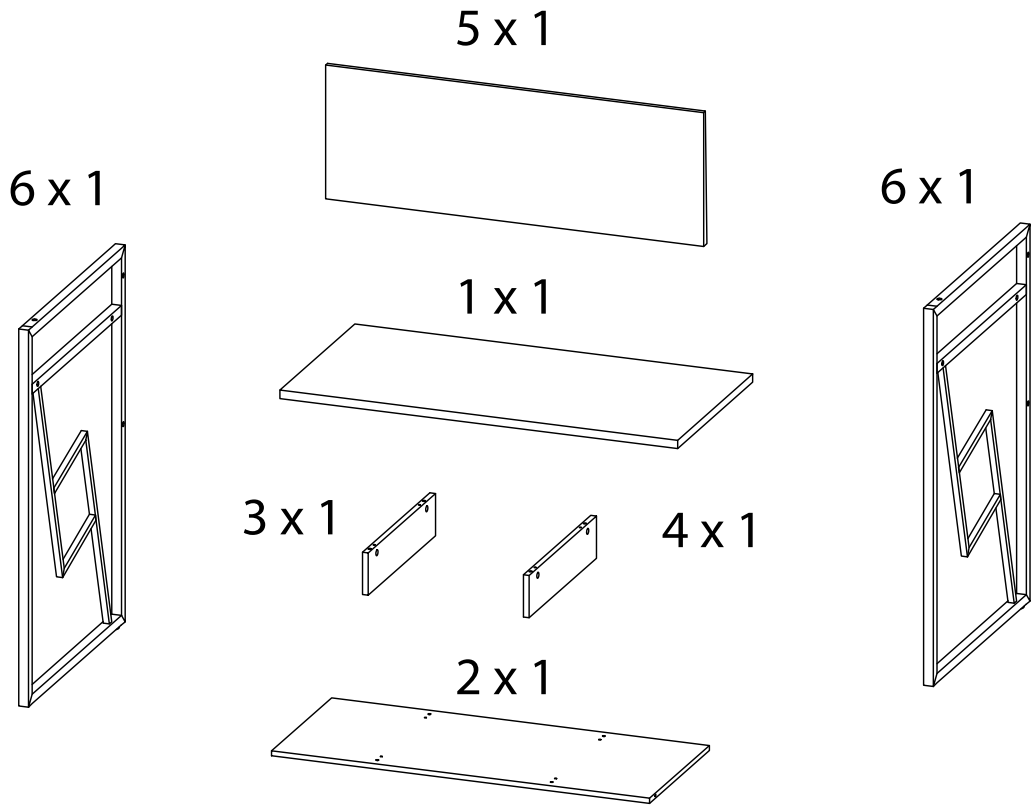
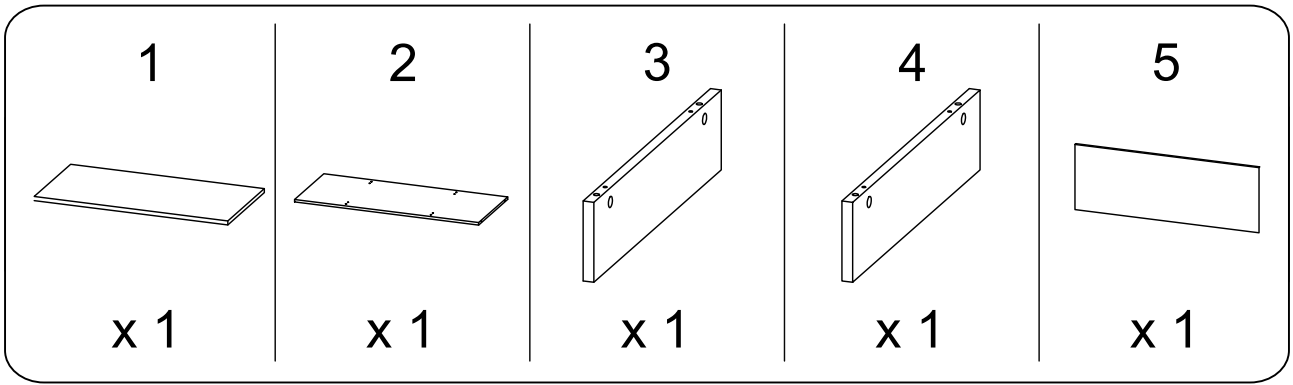


Assembly instructions for step 1/6:

- Tools:** A circular icon contains a screwdriver and an L-shaped Allen key. A power drill is shown with a diagonal line through it, indicating it is not to be used.
- Warning:** A triangle with an exclamation mark.
- Time:** A clock icon with the number 40' below it, indicating a 40-minute assembly time.
- Personnel:** A stick figure icon with the number 1 below it, indicating that one person is required for assembly.
- Assembly Diagram:** A circular icon shows a rectangular panel being placed on a textured surface. A second diagram shows the panel being secured with a screw from the bottom.
- Warning:** A triangle with an exclamation mark.



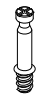
1

1

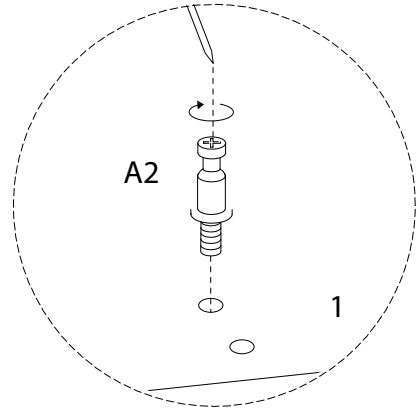
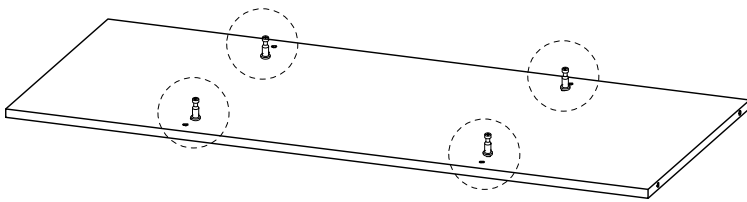


x 1

A2

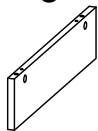


x 4



2

3



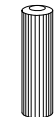
x 1

A1

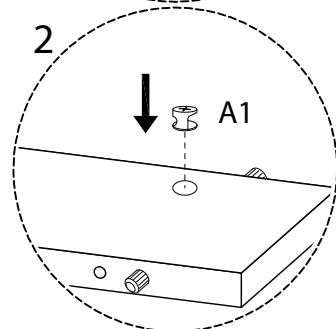
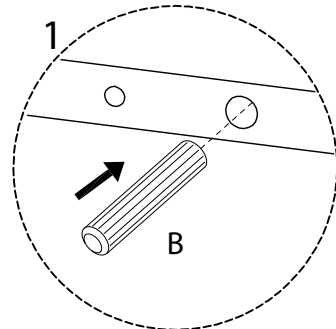
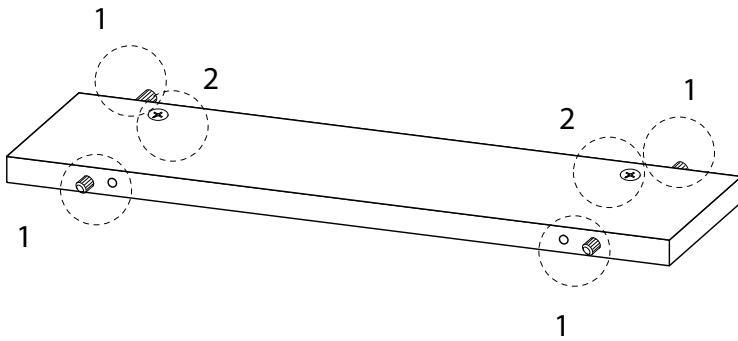


x 2

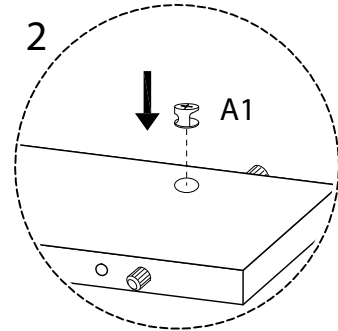
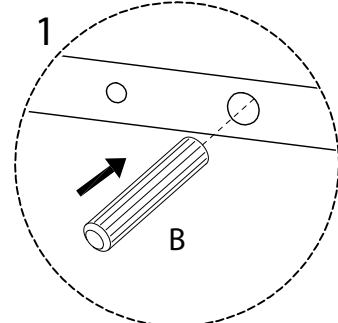
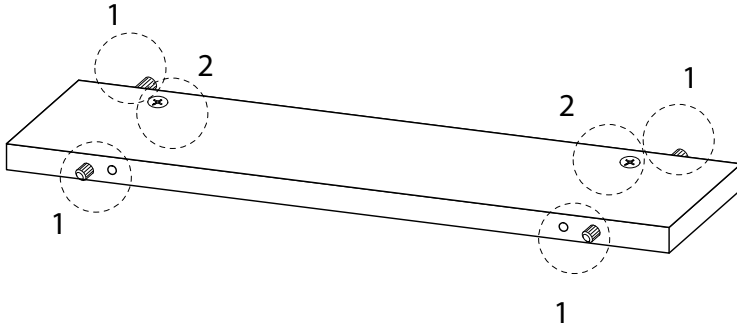
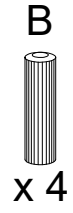
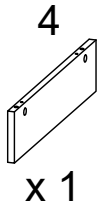
B



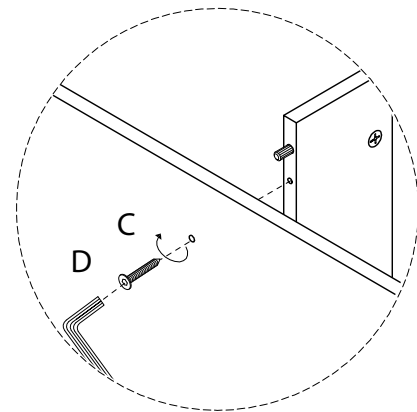
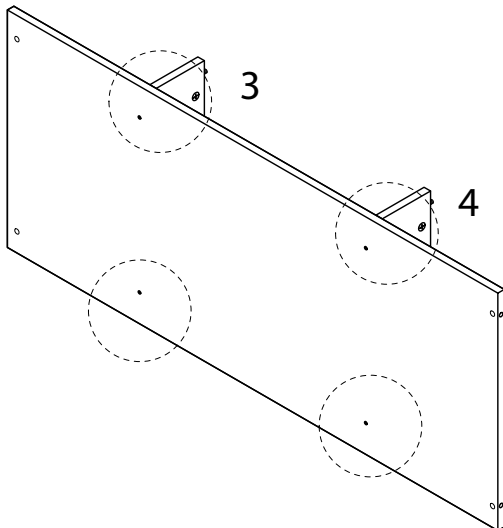
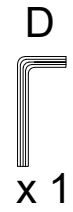
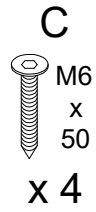
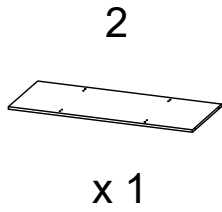
x 4



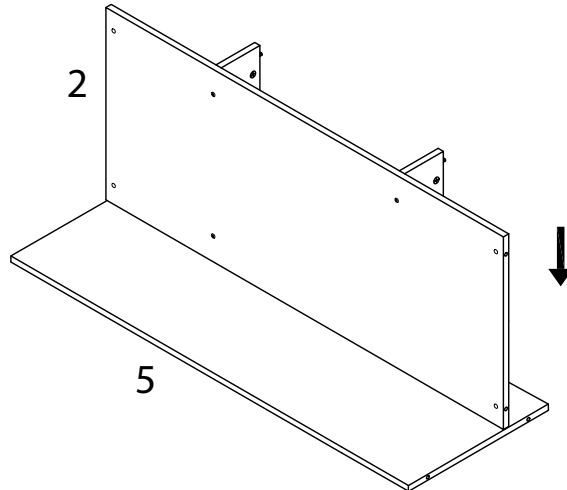
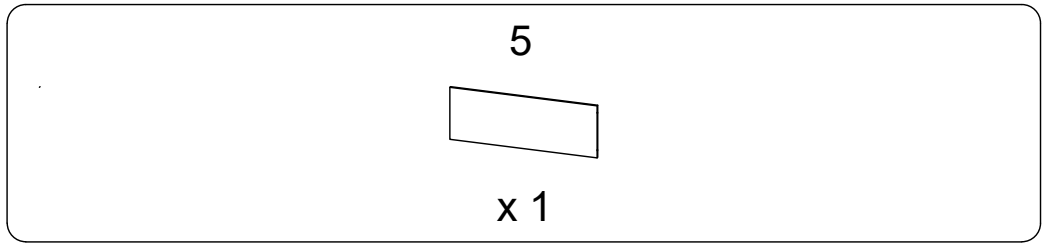
3



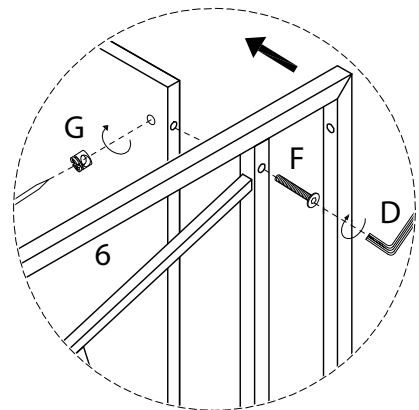
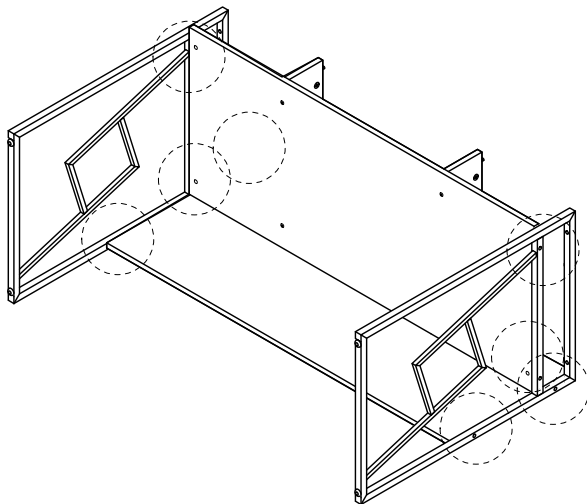
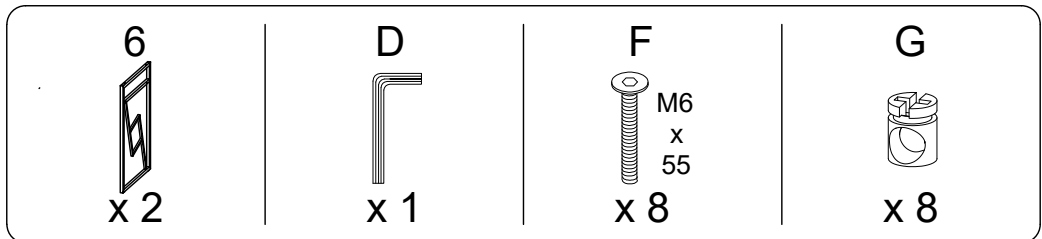
4



5

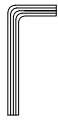


6



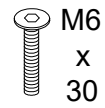
7

D

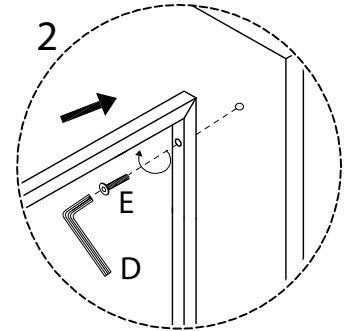
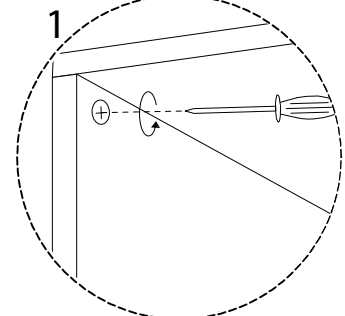
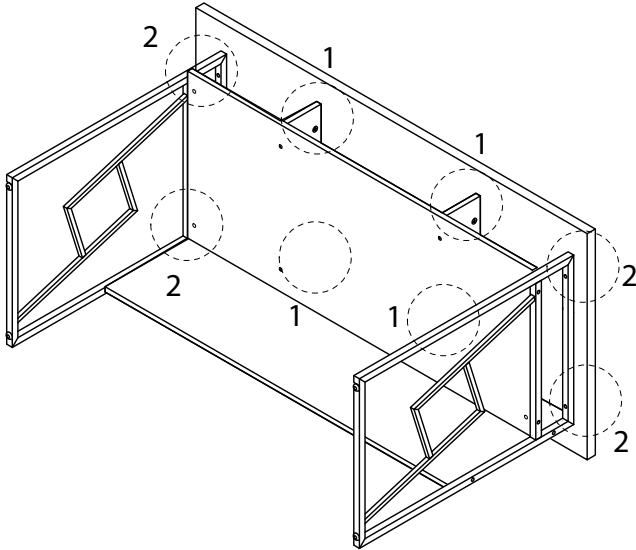


x 1

E



x 4



8

A3



x 4

