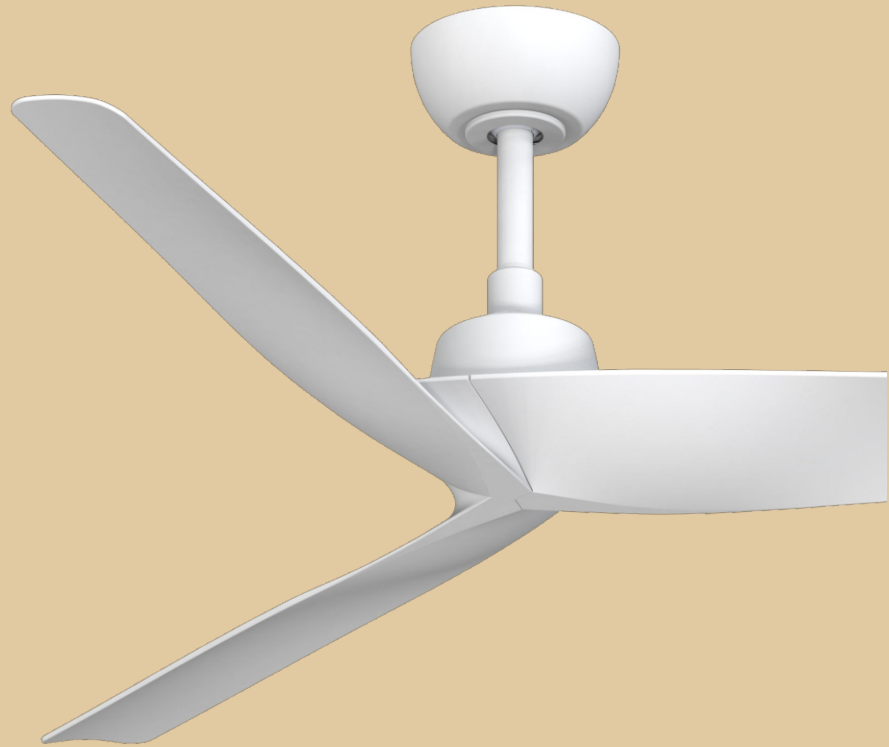


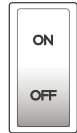
# Ceiling Fan



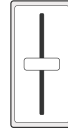
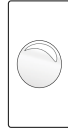
## Technical specifications



**WARNING**



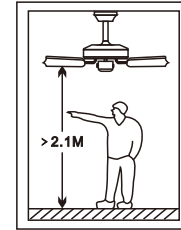
ON/OFF switch



Dimmer switch



Fan speed control switch



- Use only with standard on/off switch; dimmer/fan speed control switch will cause the light to flicker.
- Ensure that after the fan is installed, its lowest point is no less than 2.1 meters from the ground.
- Disconnect power prior to installation, inspection or removal.
- Do not touch when equipment is on or when it is hot.
- If there is any problem with the equipment, turn power off and do not attempt to repair unless you are a qualified technician.
- Do not expose to water or rain.

Fan Size	Input Voltage	Power	Weight
52 Inch	AC100-240V 50/60Hz	Fan: 35W	≈8.49 lb
			≈8.49 lb
			≈8.49 lb
			≈8.49 lb

# Packing List



Hanger Bracket



Canopy



Cover A



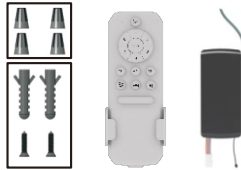
Down Rod



Cover B



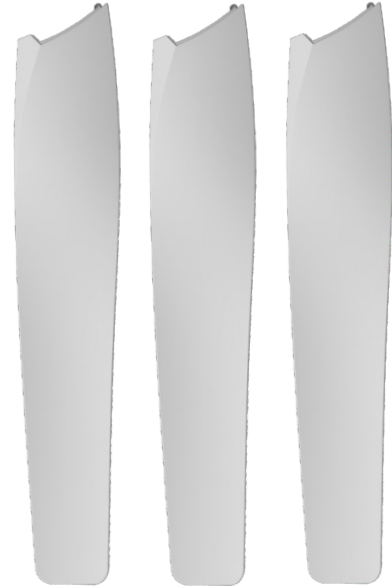
Motor



Remote Control



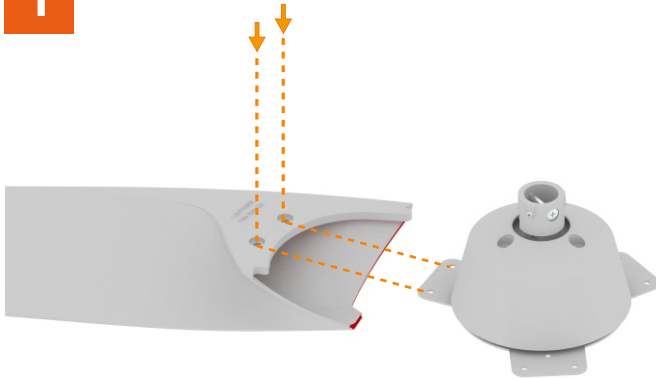
Screw Pack



Blade

## Installation Guide

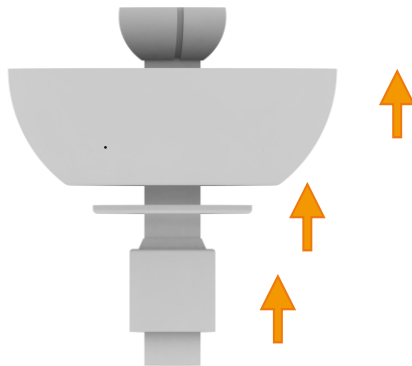
1



**Attach fan blades to motor:**  
Screw the fan blades onto the fan motor.

**Note :** Do not fully tighten until all blades are installed to ensure the blades fit together properly.

2



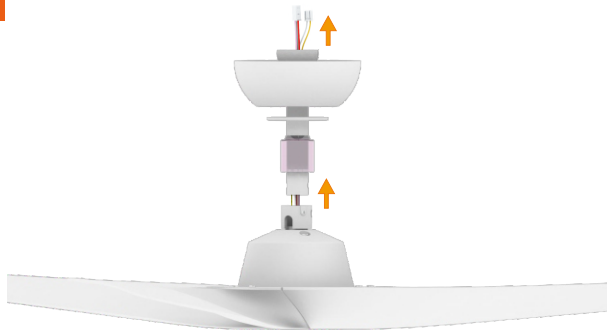
**Assemble Downrod:**  
Slide the canopy and cover A&B onto the downrod.

3



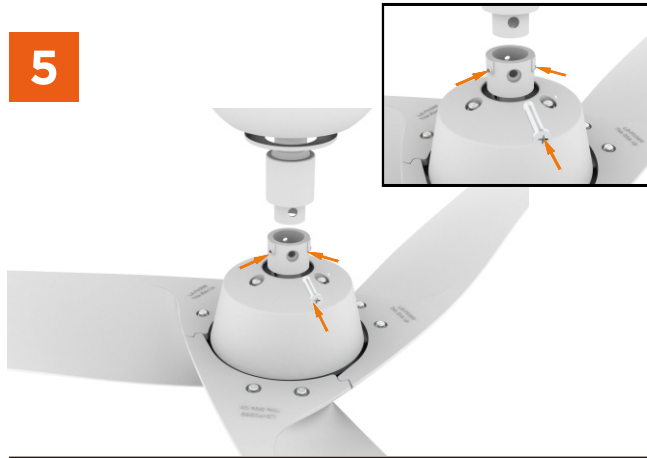
**Secure Downrod to Motor :**  
(1) Loosen the fixed screws.

4



**Secure Downrod to Motor:**  
(2) Thread the motor wires through the downrod and out through the gap in the hanging ball.

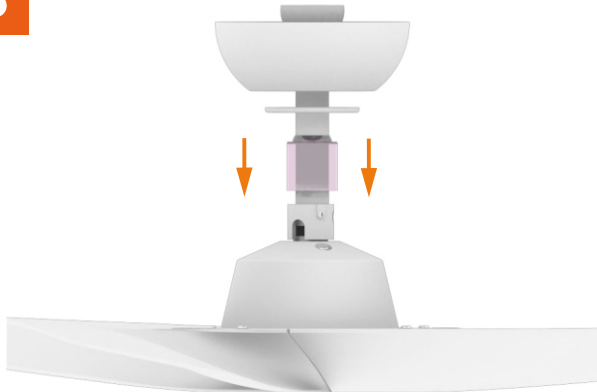
5



**Secure Downrod to Motor:**

(3) Assemble the downrod and fan motor assembly, and tighten them together with the screws.

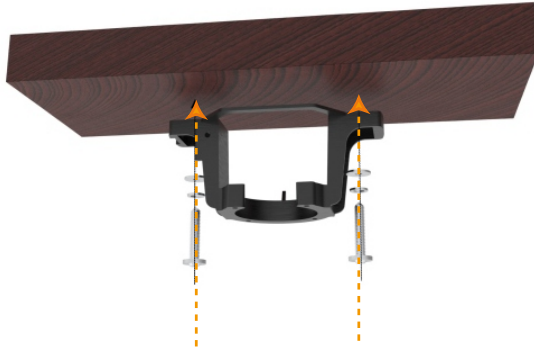
6



**Secure Downrod to Motor:**

(4) Slide the cover B down to conceal the motor connection.

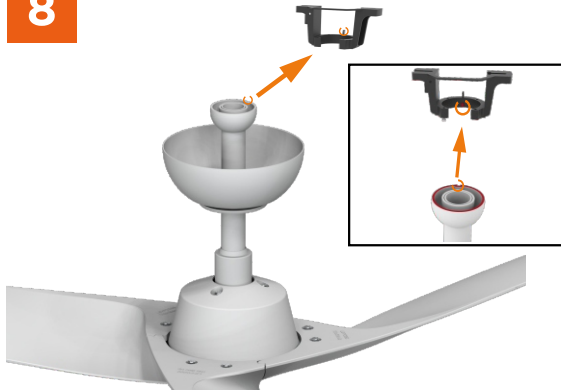
7



**Mounting Fan to Ceiling:**

(1) Secure the hanger bracket to the ceiling.

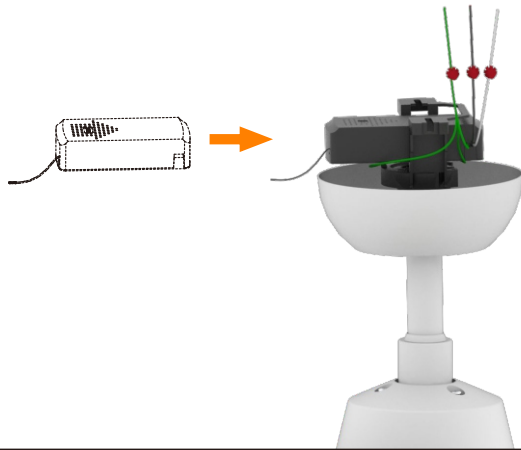
8



**Mounting Fan to Ceiling:**

(2) Hang the fan onto the hanger bracket, ensuring that the notch on the bracket aligns with the corresponding notch on the downrod.

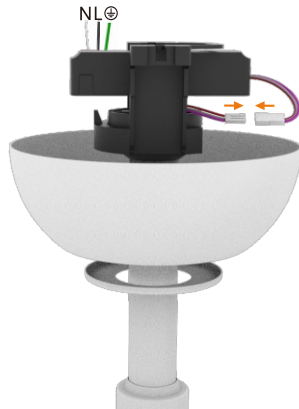
9



**Install Controller:**

Insert the controller into the gap of the hanger bracket.

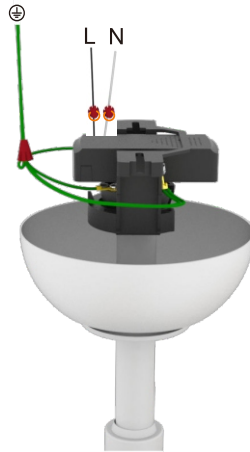
10



**Connect Wire:**

(1) Connect the controller wires.

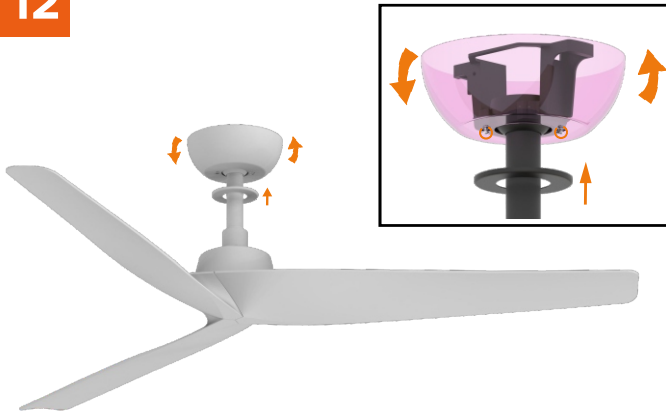
11



**Connect Wire:**

- (2) Connect the black wire to the hot wire (L).
- (3) Connect the white wire to the neutral wire (N).
- (4) Connect all green wires from the bracket and controller to the ceiling ground wire.

12

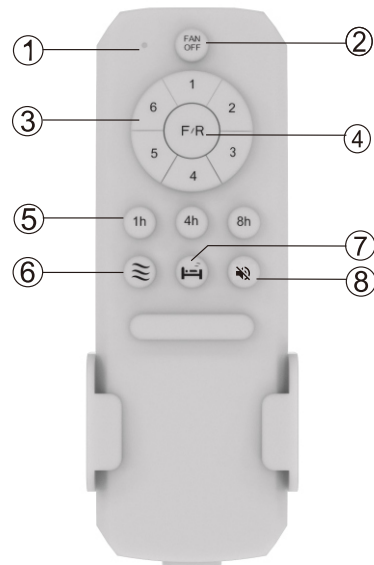


**Secure Canopy:**


- (1) Fasten the canopy to the bracket with screws.
- (2) Rotate the canopy to lock it onto the screws, ensuring it stays securely in place.

## Ceiling Fan Remote Control Manual

- ① LED Indicator
- ② Fan OFF
- ③ Speed control (1 Low speed ~ 6 High speed)
- ④ Fan Reverse/Forward
- ⑤ 1/4/8H Timer(Timing Option )  
Please do not press any other button after timer, otherwise the timer will be cancelled
- ⑥ Natural wind (Cycles randomly between speed levels 1 to 6)  
Please do not press any other button after Natural wind, otherwise the Natural wind will be cancelled
- ⑦ Sleep wind (Runs at speed level 1 continuously)
- ⑧ Press once to turn mute on/off with memory



## Pairing Method

Within the first 30 seconds of powering on the fan, press and hold the "  " icon button for 5 seconds, a successful pairing is indicated by a beep sound.

If you need to pair again, wait for 30 seconds after turning off the power and repeat the above steps.

## Notices

If the remote control unable to operate the fan, please follow the steps below to troubleshoot:

1. Check the remote control's battery for proper contact, correct placement and sufficient charge. Low battery voltage can decrease the range and sensitivity of the remote. If the remote control is not used for an extended period, please remove the batteries.

2. Try re-pair the remote control with ceiling fan.