

T
R
A
N
S
F
E
R

T
U
B

The Mobility Bathworks Transfer Tub 3052 from our ELITE Series provides a luxury spa experience from the comfort of your own home.

Boasting a 41" high tub basin, the Transfer 3052 allows for deeper upper body water immersion while maintaining a compact footprint for almost any bathtub or shower space. Its overall size and 22" seat make the Transfer 3052 the perfect size for narrow, 60" bathrooms while being large enough to accommodate individuals between 120-250 lbs.



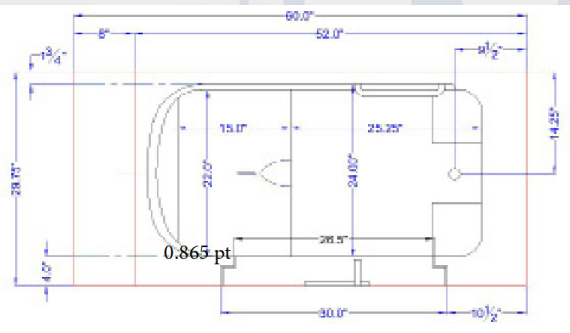
STANDARD FEATURES

- ⇒ Marine-Grade Fiberglass & Resin Composite Tub Shell
- ⇒ High-Gloss, Triple-Coated Gelcoat Finish
- ⇒ One-Piece, Stainless-Steel Support Frame
- ⇒ 6 Adjustable Leveling Legs
- ⇒ Low, 6.8" Door Threshold
- ⇒ Ergonomic, Curved Door Handle
- ⇒ Water-Tight Door Seal
- ⇒ 16.25" High, ADA-Compliant, Contoured Seat
- ⇒ Interior Safety Grab Bar
- ⇒ Deck-Mounted, U-Shaped Grab Bar
- ⇒ Non-Slip, Textured Floor
- ⇒ Integrated Door Drain
- ⇒ Front Access Maintenance Panels
- ⇒ Color-Matched Extension Kit to Fill to 60"
- ⇒ Flangeless Design

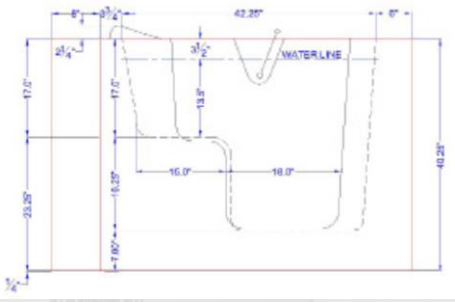
3
0
5
2

TUB 3052 TRANSFER SPECIFICATIONS

TOP VIEW



SIDE VIEW



Tub Dimensions	30"W x 52"L x 41"H
Tub Weight	270 lbs
Crated Dimensions	31"W x 53"L x 50"H
Seat Dimensions	16.25"H x 22"W
Water Capacity Occupied	58 Gallons
Door Width	30"
Door / Drain Orientation	Left-Hand or Right Hand
Door Swing	Outward-Swinging
Colors Available	White Biscuit

HYDROMASSAGE SYSTEM ADD-ONS & UPGRADES

- ⇒ Leg Massage Only System
- ⇒ Adjustable Bidet Jet
- ⇒ Ozone Sanitization System
- ⇒ Water-Heating Syllent Pump
- ⇒ Friction Heater
- ⇒ Inline Heater
- ⇒ Additional Hip or Knee Jets
- ⇒ Aromatherapy System