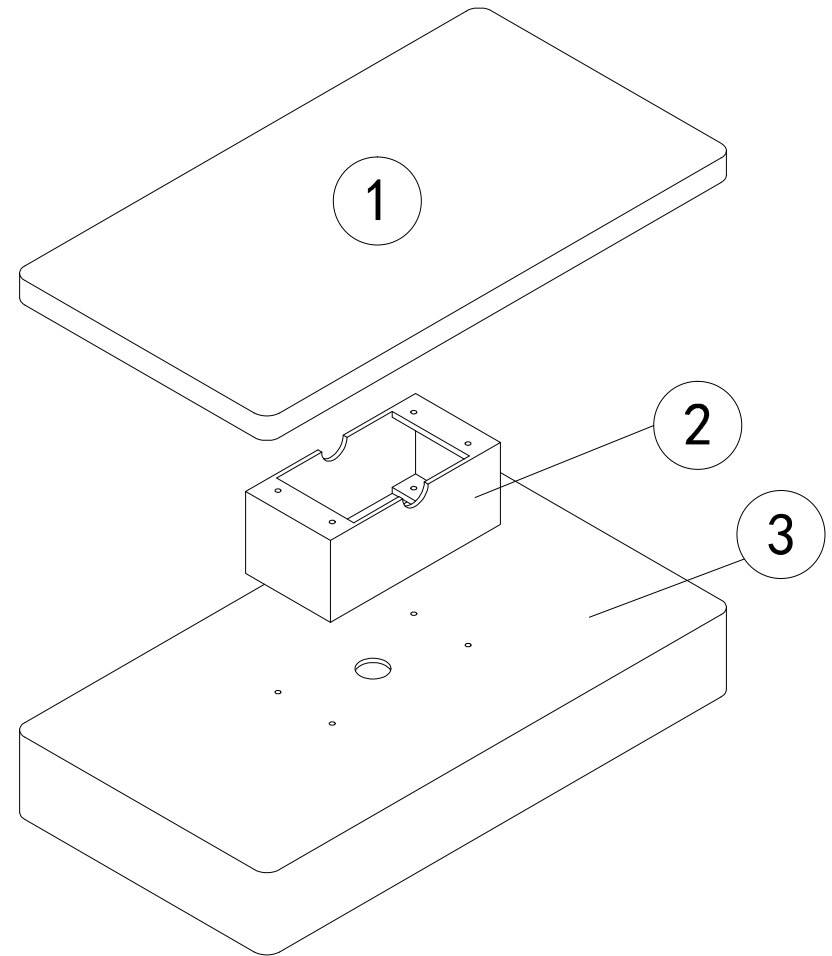


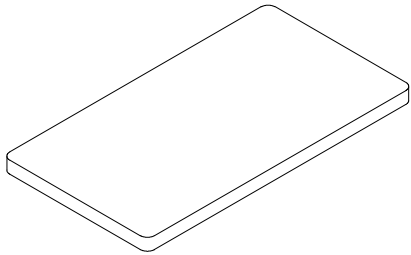
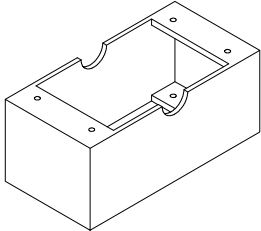
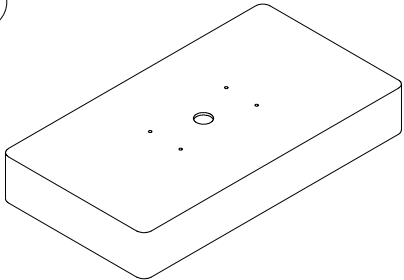
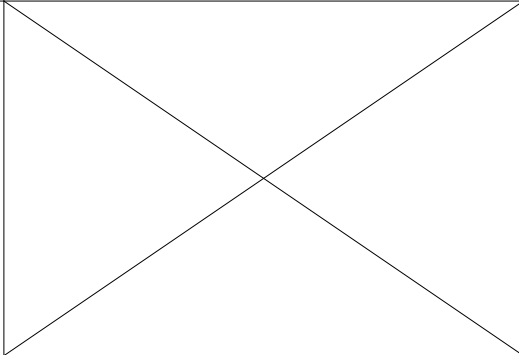
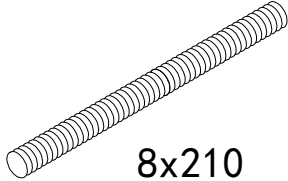
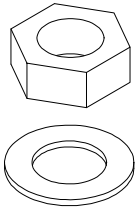
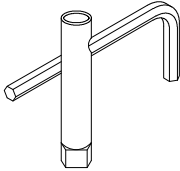
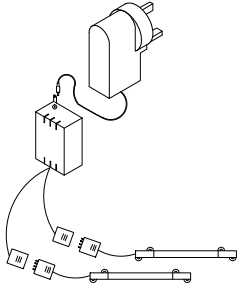
Note Before Assembly:

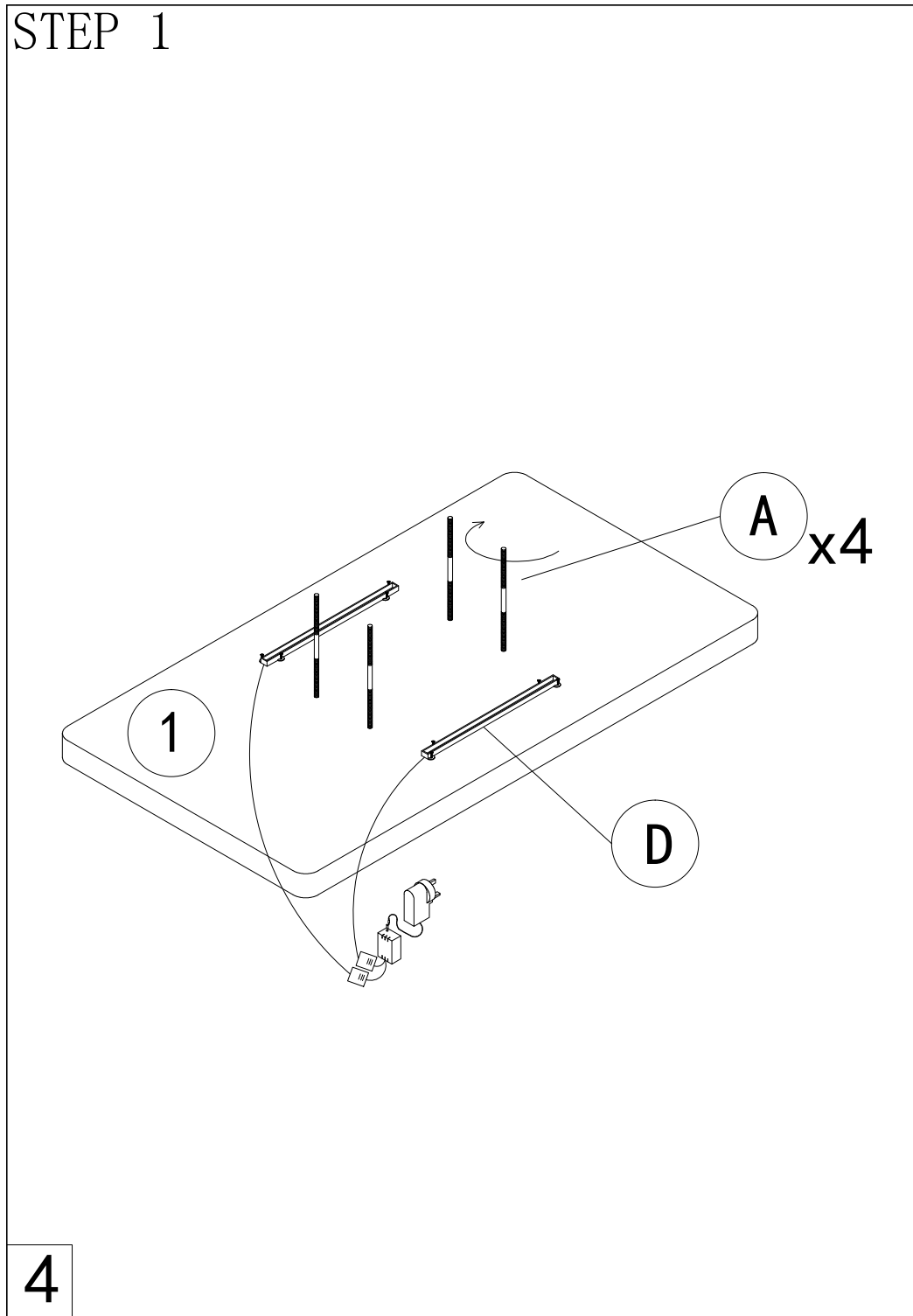
1. Please choose the appropriate tool.
2. Please do NOT use “power tool” for the accessories installation , just evenly distributed.
3. Please be careful that NOT scratch surface or edges of the product, also pay attention to the indoor walls and floors.
4. Please ensure that there are enough spaces when assembly, and covered with bedding, etc., to prevent scratch the floors or products.

1

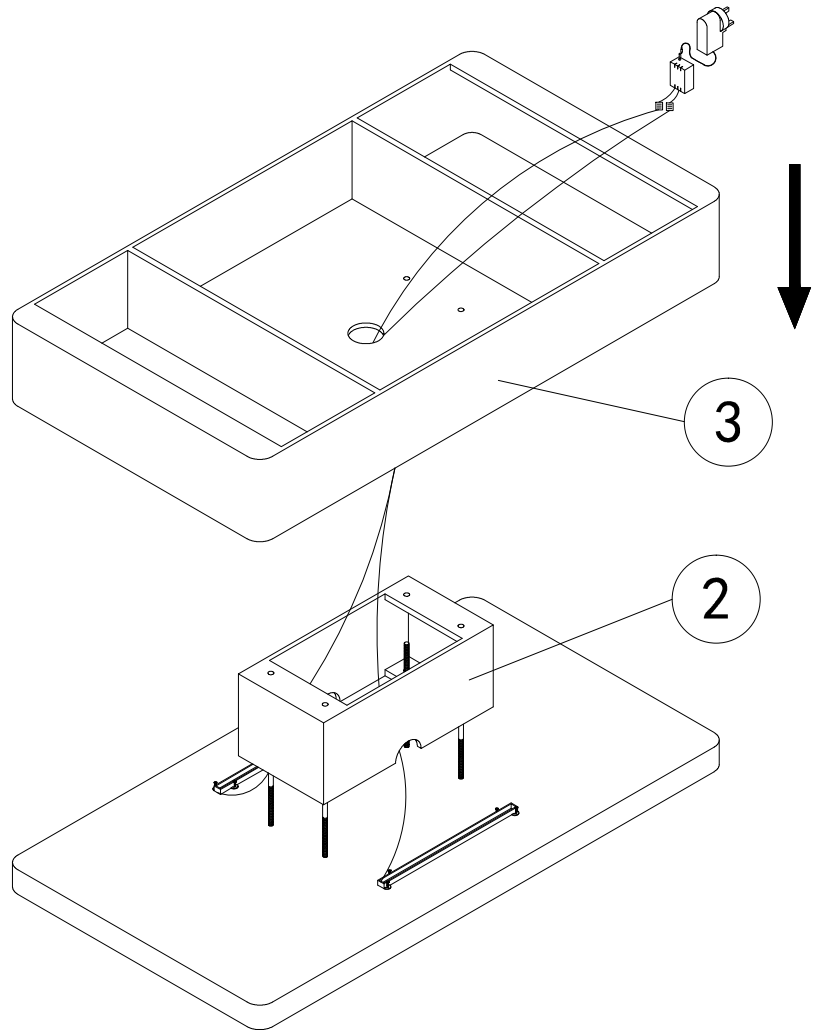


2

<p>①</p>  <p>x1</p>	<p>②</p>  <p>x1</p>
<p>③</p>  <p>x1</p>	
<p>A</p>  <p>8x210</p> <p>x4</p>	<p>B</p>  <p>M8</p> <p>x4</p>
<p>C</p>  <p>x1</p>	<p>D</p>  <p>x1</p>
<p>3</p>	

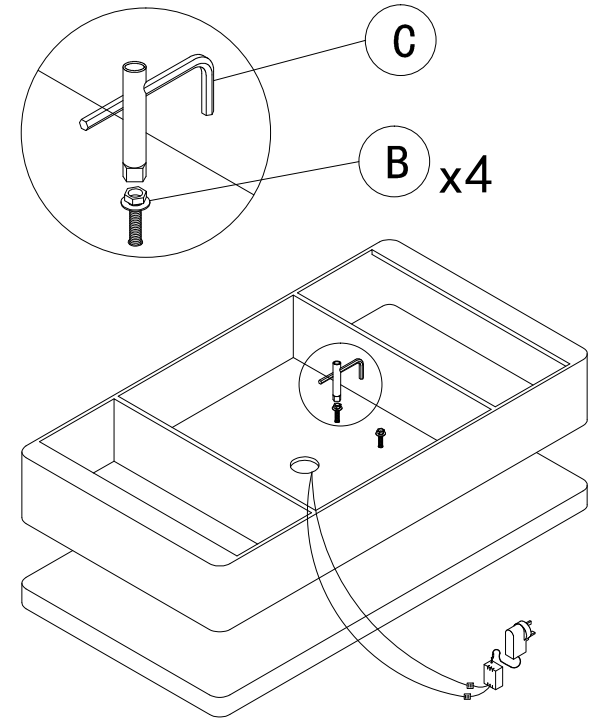


STEP 2

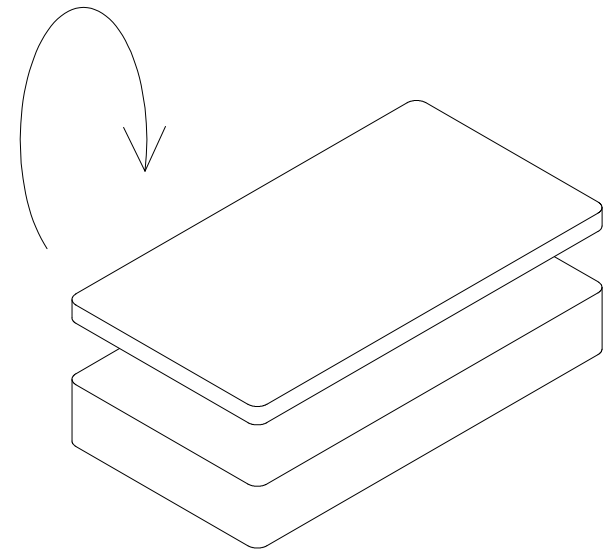


5

STEP 3



STEP 4



6