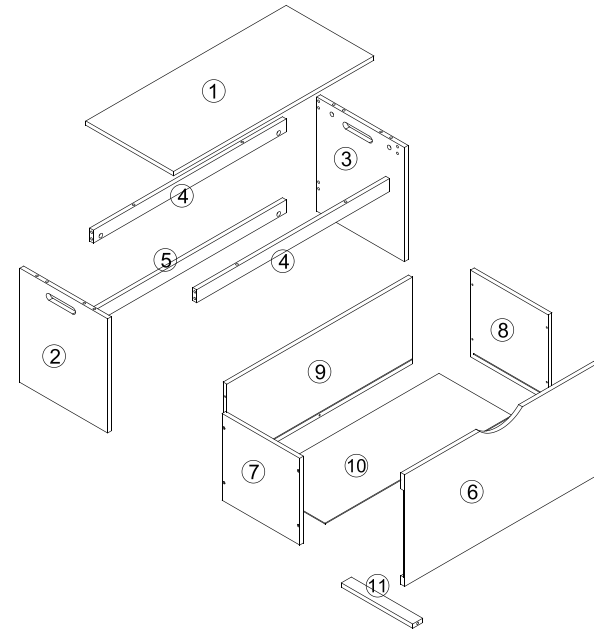
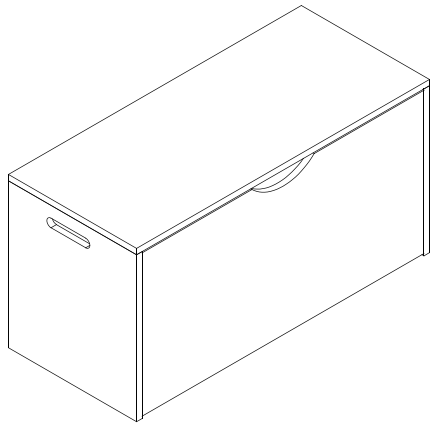


# ASSEMBLY INSTRUCTION



A x 11



B x 11



C x 14



4 x 35  
D x 1



3 x 25  
E x 8

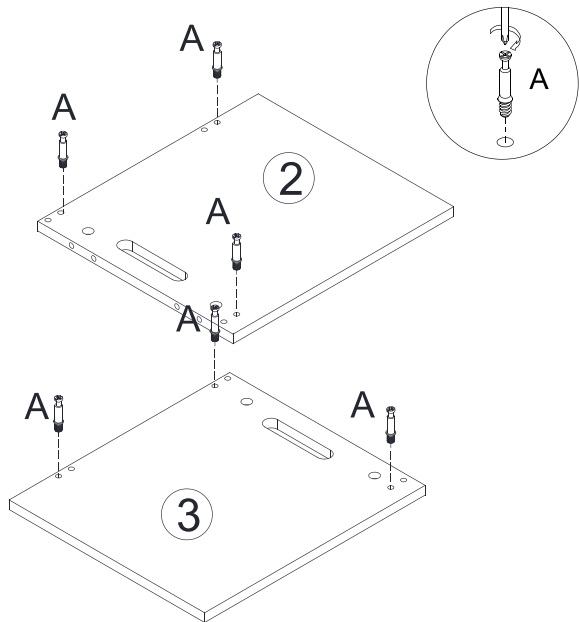


4 x 12  
F x 16

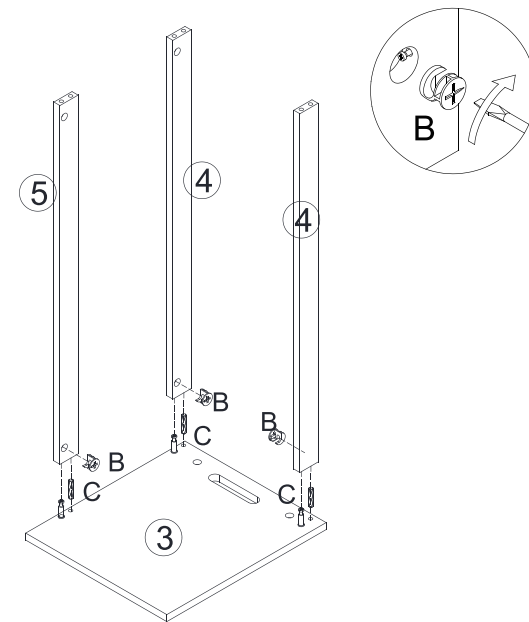


G x 4

## STEP 1

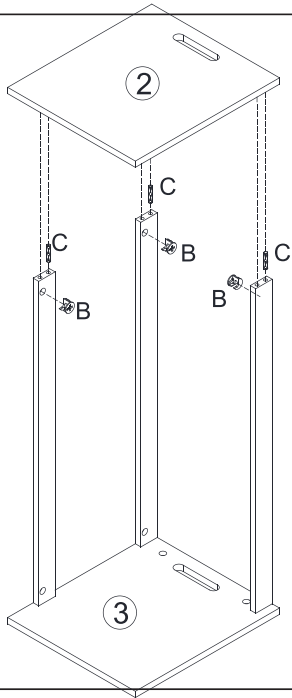


## STEP 2

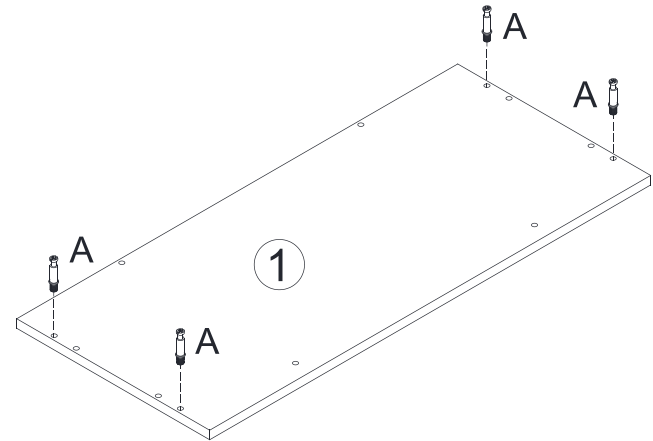


# ASSEMBLY INSTRUCTION

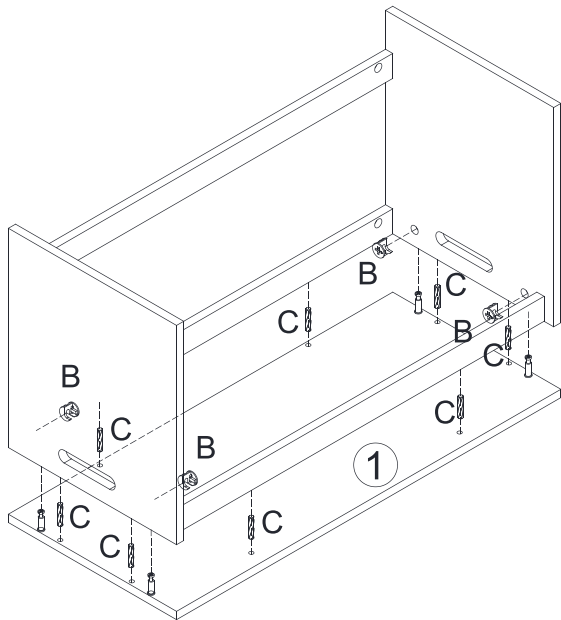
STEP 3



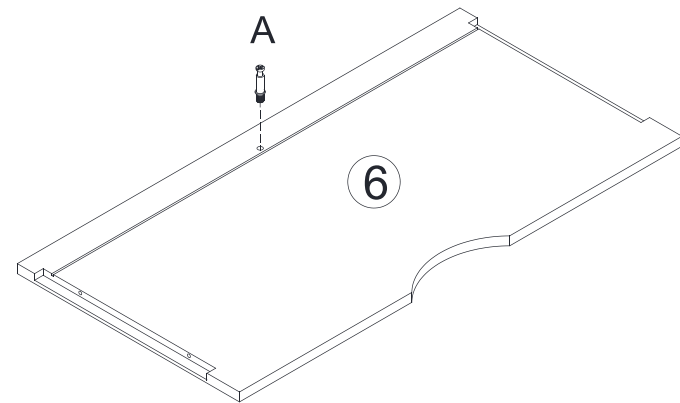
STEP 4



STEP 5

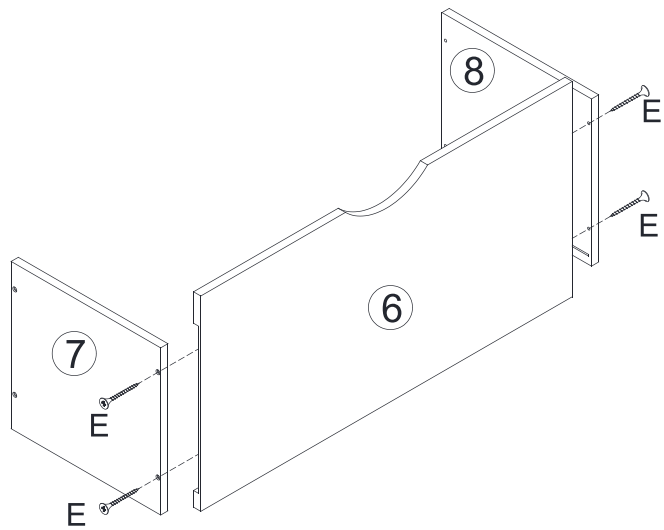


STEP 6

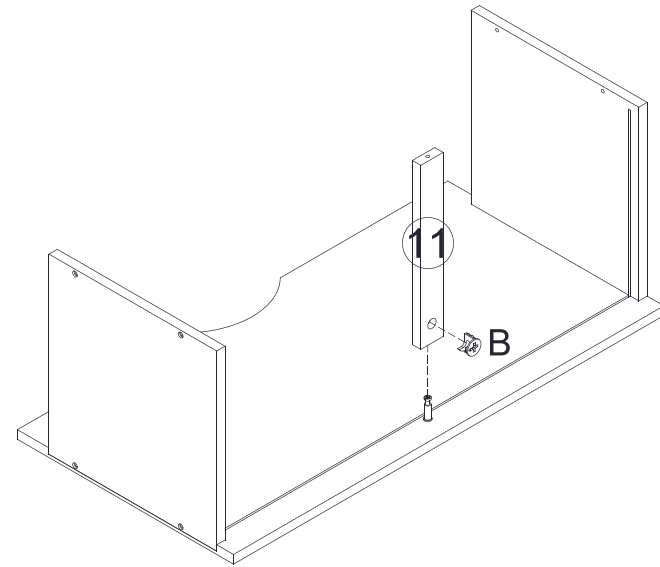


# ASSEMBLY INSTRUCTION

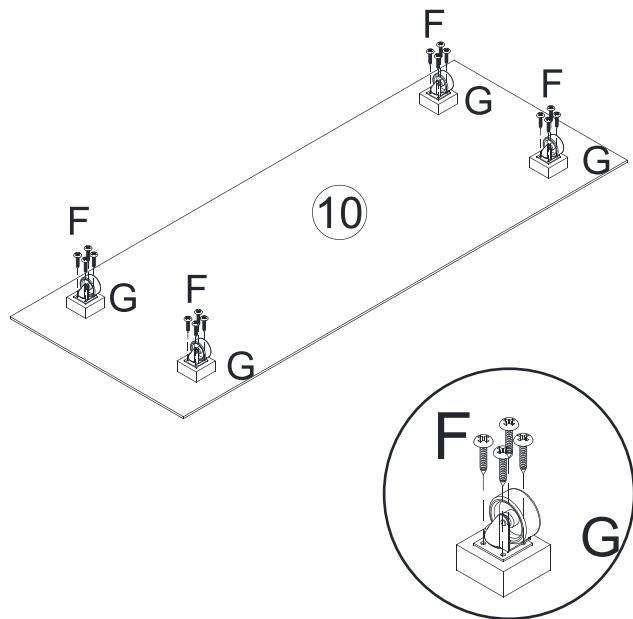
STEP 7



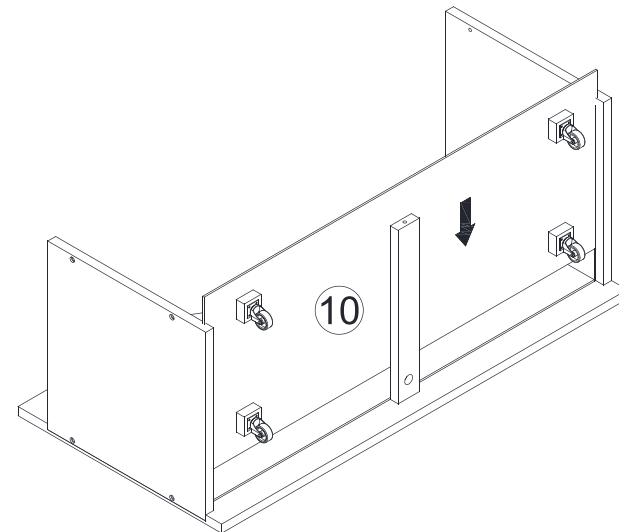
STEP 8



STEP 9

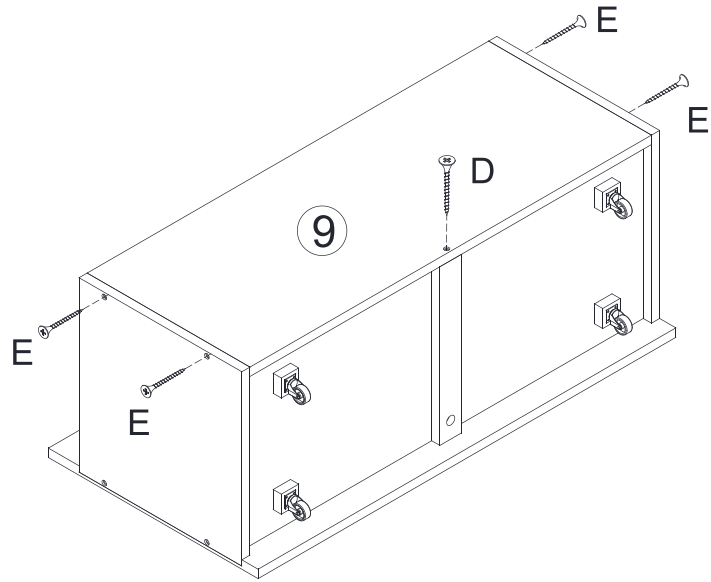


STEP 10



# ASSEMBLY INSTRUCTION

STEP 11



STEP 12

