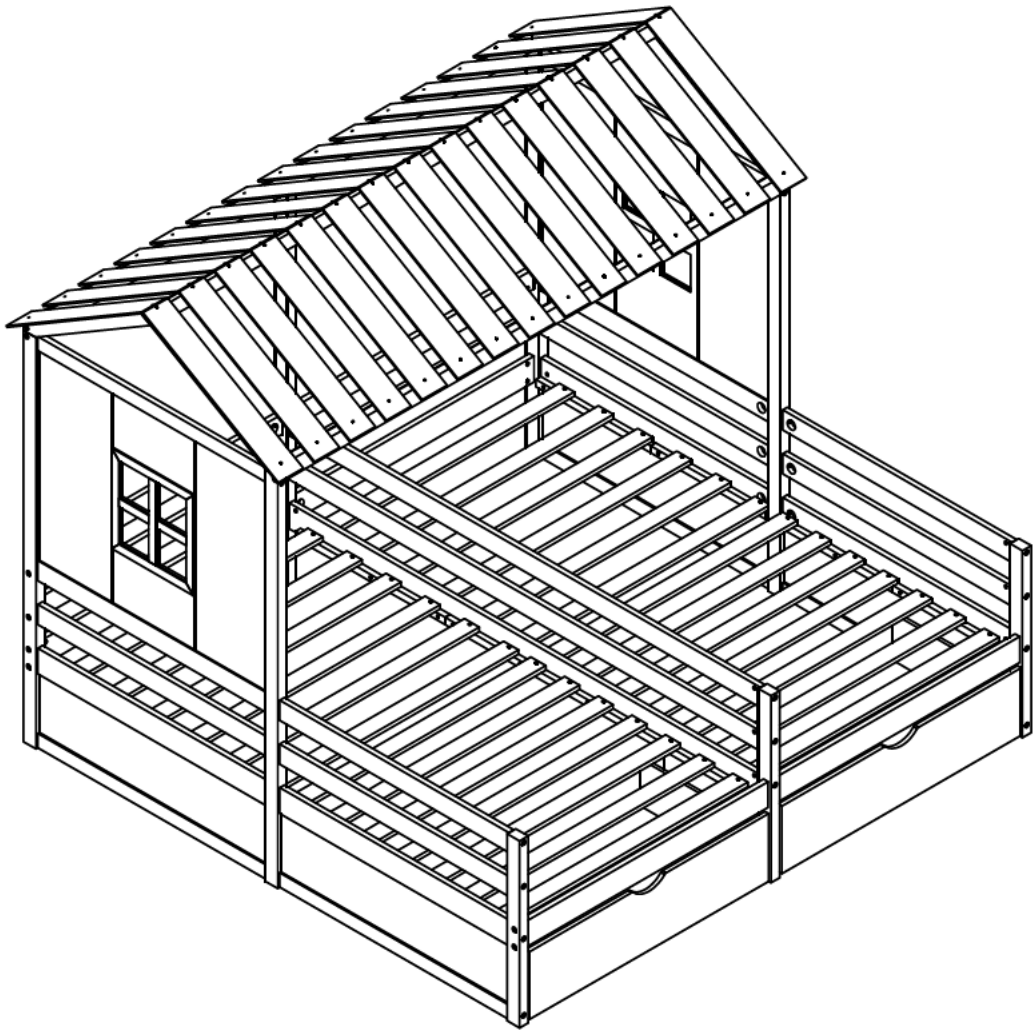
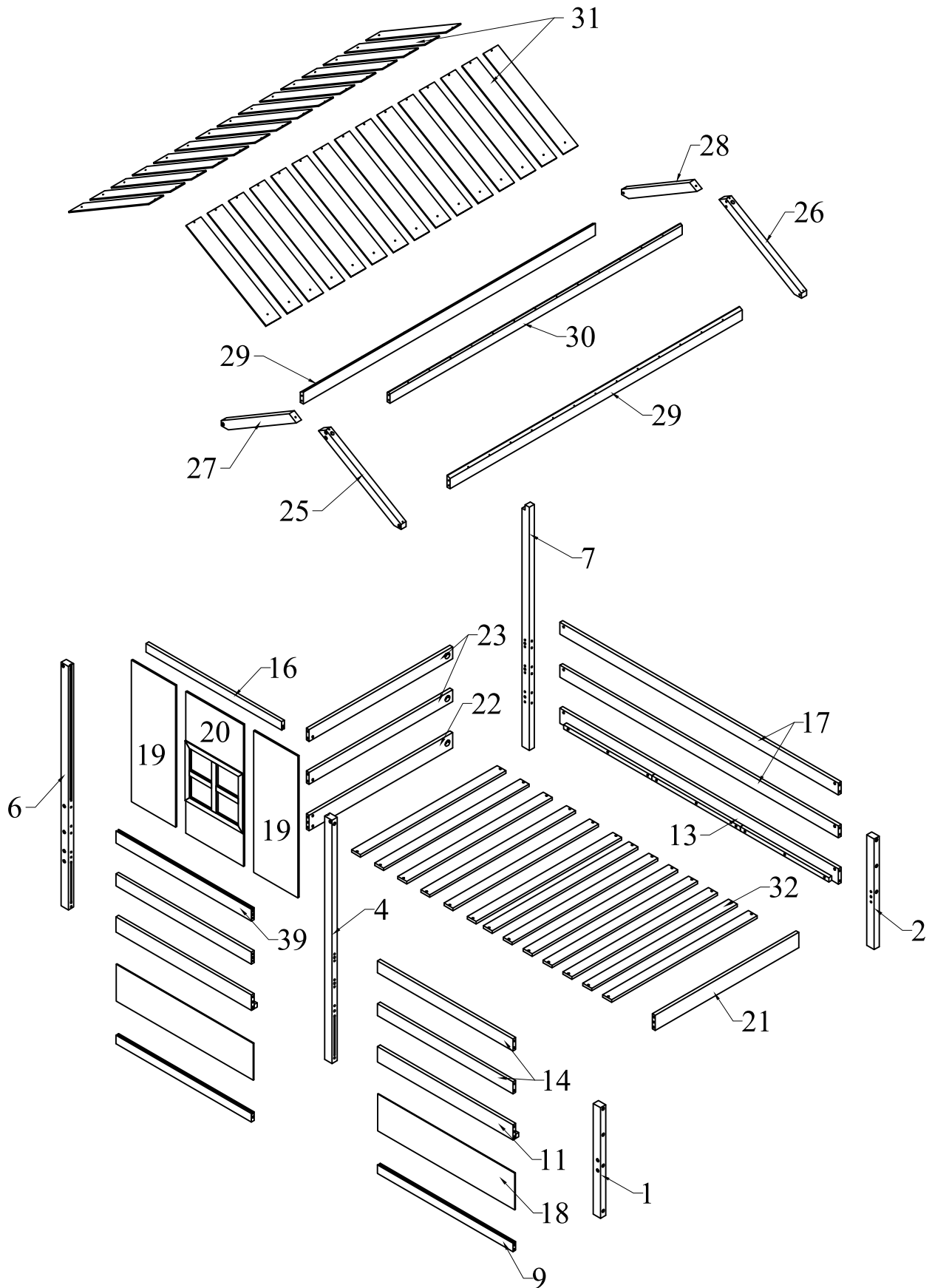


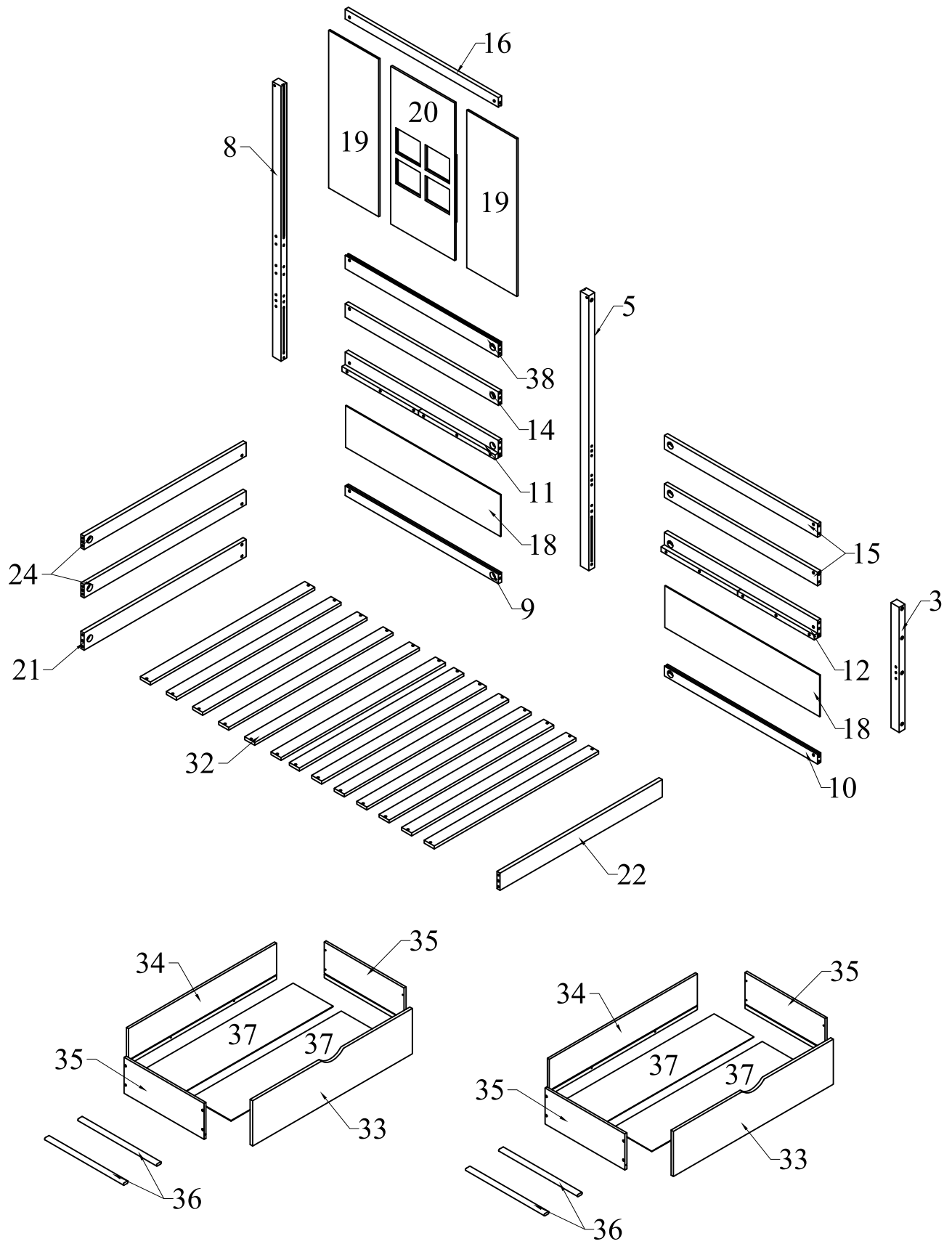
ASSEMBLY INSTRUCTIONS



DETAIL VIEW



DETAIL VIEW



BOX 1:

4



Front left leg - long (1pc)

5



Front right leg - long (1pc)

6



Back left leg - long (1pc)

7



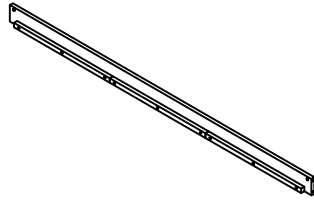
Back middle leg - long (1pc)

8



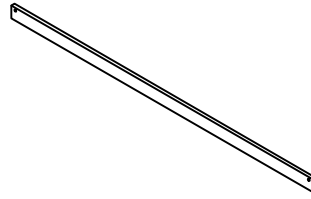
Back right leg - long (1pc)

13



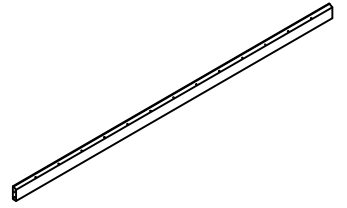
Side rail - middle (1pc)

17



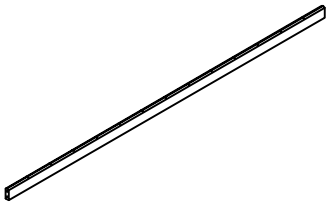
Side horizontal - long (2pcs)

29



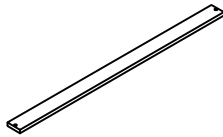
Guard rail top - side (2pcs)

30



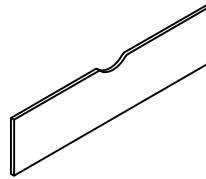
Guard rail top - middle (1pc)

32



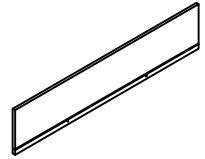
Slats (26pcs)

33



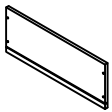
Drawer - front (2pcs)

34



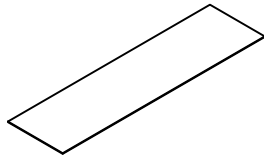
Drawer - back (2pcs)

35






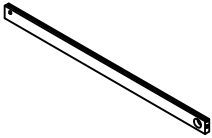
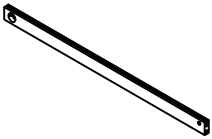
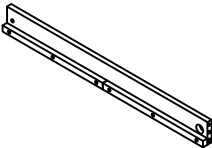
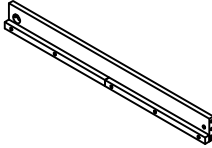
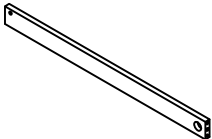
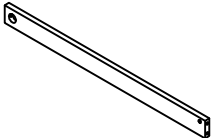
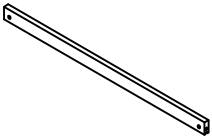
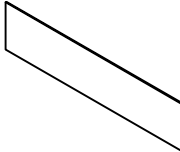
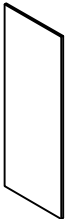

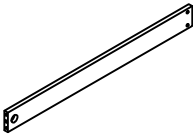
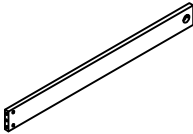
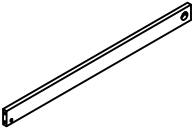
Drawer - side (4pcs)

37



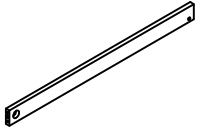
Drawer - bottom (4pcs)

BOX 2:

<p>1</p>  <p>Left leg - short (1pc)</p>	<p>2</p>  <p>Middle leg - short (1pc)</p>	<p>3</p>  <p>Right leg - short (1pc)</p>	<p>9</p>  <p>Side horizontal left lower (2pcs)</p>
<p>10</p>  <p>Side horizontal right lower (2pcs)</p>	<p>11</p>  <p>Side rail - left (2pcs)</p>	<p>12</p>  <p>Side rail - right (2pcs)</p>	<p>14</p>  <p>Side horizontal left upper (3pcs)</p>
<p>15</p>  <p>Side horizontal right upper (3pcs)</p>	<p>16</p>  <p>Side horizontal top (2pcs)</p>	<p>18</p>  <p>Side horizontal panel (4pcs)</p>	<p>19</p>  <p>Side vertical panel (4pcs)</p>
<p>20</p>  <p>Door frame (2pcs)</p>	<p>21</p>  <p>Front horizontal left (2pcs)</p>	<p>22</p>  <p>Front horizontal right (2pcs)</p>	<p>23</p>  <p>Back horizontal left (2pcs)</p>

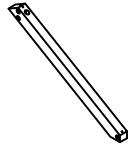
BOX 2:

24



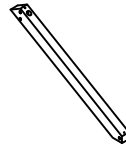
Back horizontal right (2pcs)

25



Cap for top - left front (1pc)

26



Cap for top - right front (1pc)

27



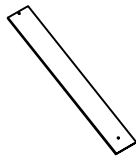
Cap for top - left back (1pc)

28



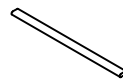
Cap for top - right back (1pc)

31



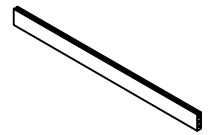
Top (30pcs)

36



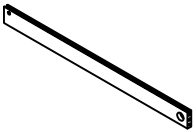
Drawer - support bar (4pcs)

38



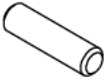


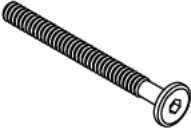





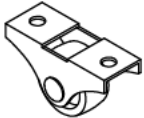


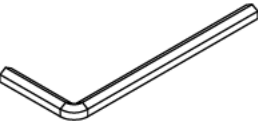



Side horizontal
left midde (1pc)

39



Side horizontal
right midde (1pc)

HARDWARE LIST:

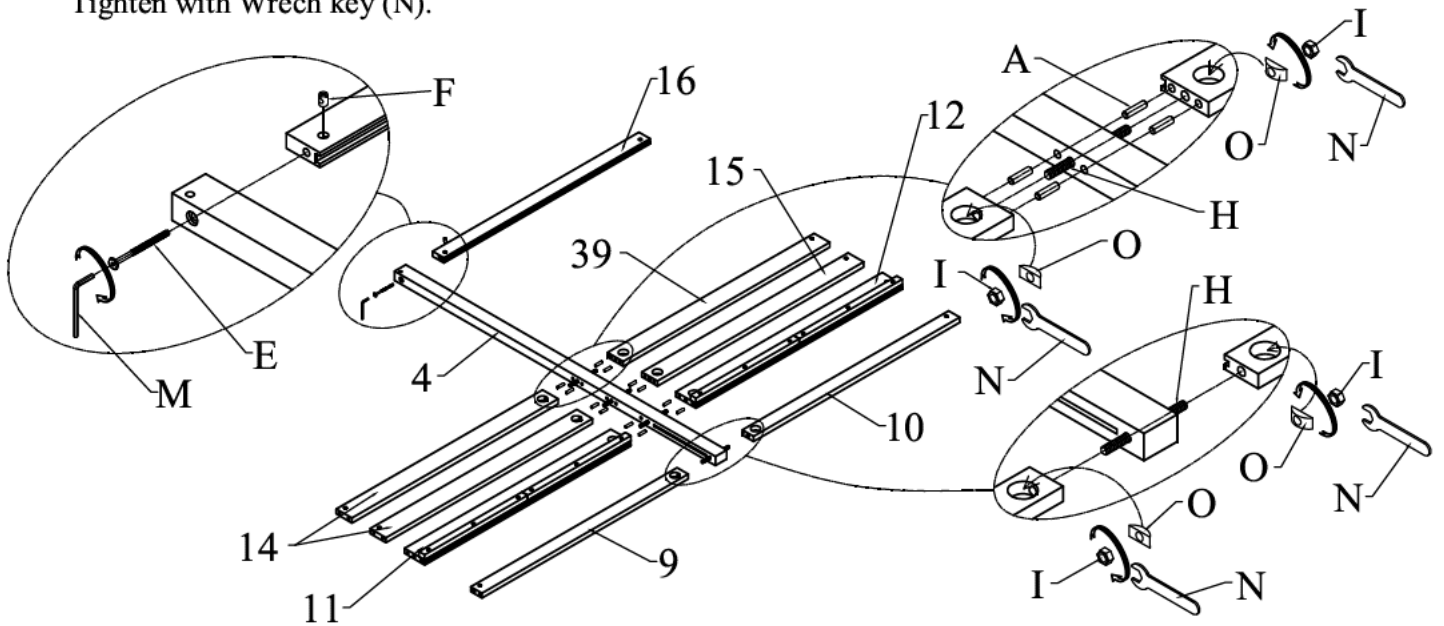
<p>A</p>  <p>Wood dowel Ø8 * 30 - 74pcs</p>	<p>B</p>  <p>Hexagonal bolts catch wood Ø6 * 70 - 12pcs</p>	<p>C</p>  <p>Hexagonal bolts catch wood Ø6 * 100 - 2pcs</p>	<p>D</p>  <p>Hex - Head bolts Ø1/4" * 70- 12pcs</p>
<p>E</p>  <p>Hex - Head bolts Ø1/4" * 100 - 26pcs</p>	<p>F</p>  <p>Horizontal - Hold bolts Ø1/4" - 38pcs</p>	<p>G</p>  <p>Full thread bolts Ø5/16" * 110 - 4pcs</p>	<p>H</p>  <p>Full thread bolts Ø5/16" * 120 - 8pcs</p>
<p>I</p>  <p>Hexagonal screw Ø5/16" - 24pcs</p>	<p>J</p>  <p>Wheel - 8pcs</p>	<p>K</p>  <p>Round Screw M3.5 * 15 - 16pcs</p>	<p>L</p>  <p>Wood crews M4 * 25 - 72pcs</p>
<p>M</p>  <p>Allen key (K4) - 1pc</p>	<p>N</p>  <p>Wrench key (K13) - 2pcs</p>	<p>O</p>  <p>Semi - Circular Ø5/16" - 24pcs</p>	<p>P</p>  <p>Round Screw M4 * 20 - 60pcs</p>



Assembly Tools Required (Not Included)

STEP 1

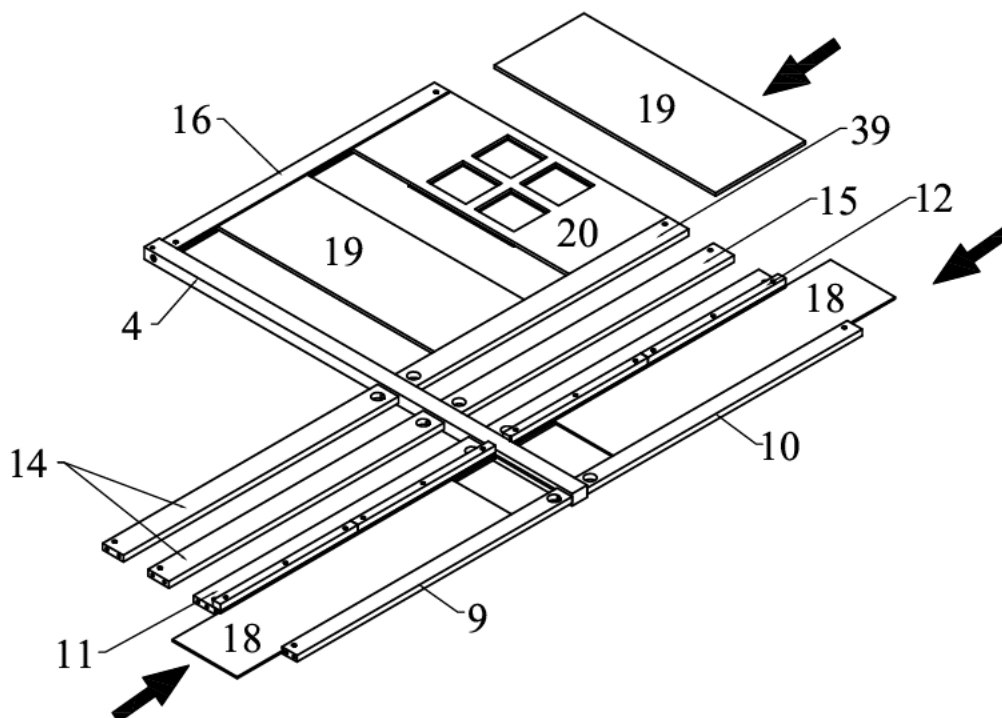
1. Align and fix the Front left leg (long) #4 with Side horizontal (top) #16 using Hex-Head bolts (E) and Horizontal-hole bolts (F). Tighten with Allen key (M).
2. Align and fix the Front left leg (long) #4 with Side horizontal #9, #10, #14, #15, #39 and Side rail #11, #12 using the Full thread bolts (H), Semi-circular (O), Wood dowel (A) and Hexagonal screw (I). Tighten with Wrench key (N).



A	E	F	H	I	O
12pcs	1pcs	1pcs	4pcs	8pcs	8pcs

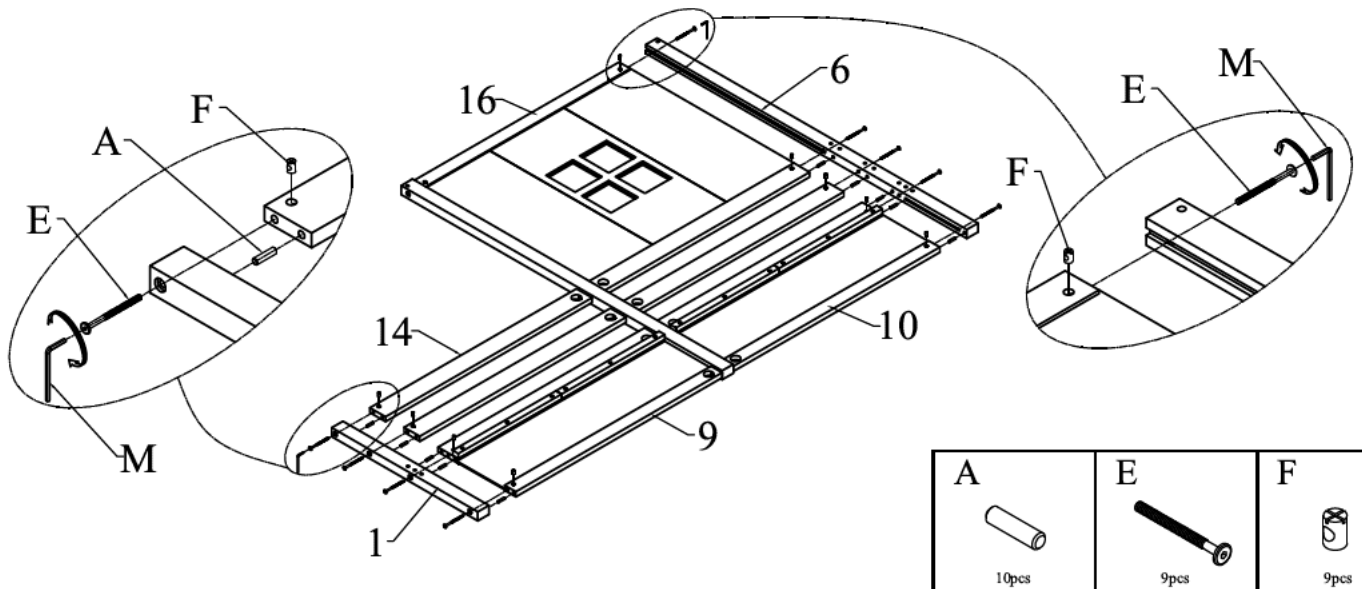
STEP 2

1. Align and fix the support frame. The move side vertical panel #19 and Door frame #20 into the connecting groove between Side horizontal #16, #39 and #4.
2. Align and fix the support frame. The move side horizontal panel #18 into the connecting groove between Side horizontal #9, #10, #11 and #12.



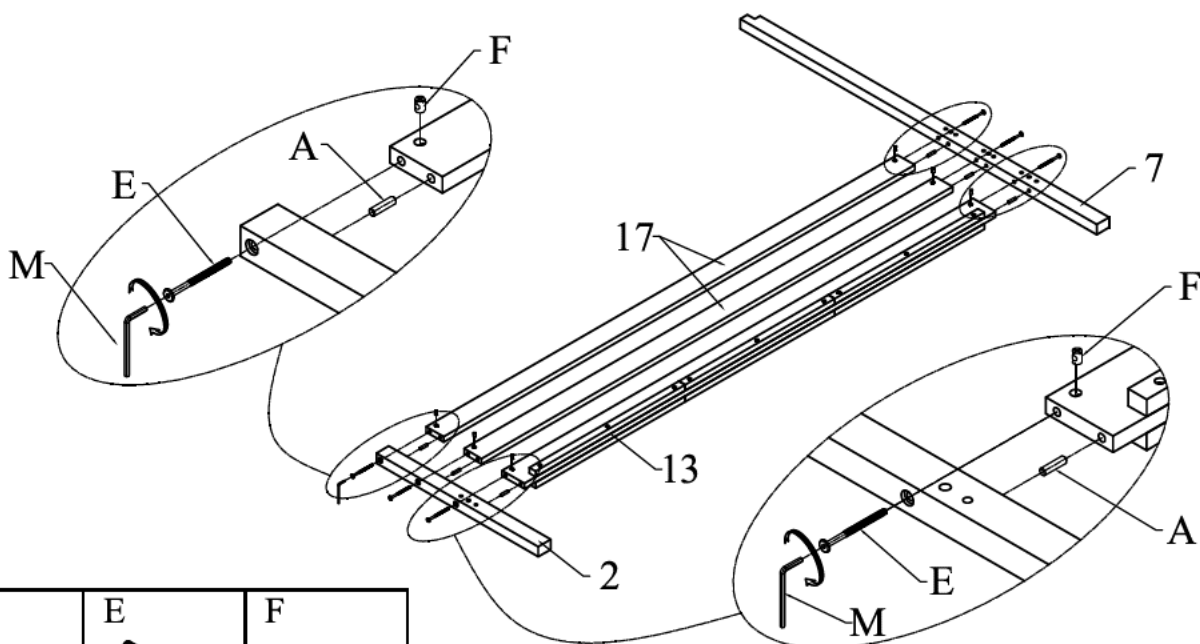
STEP 3

1. Align and fix the Front left leg (short) #1 with Side horizontal #9, #11, and #14 using Hex-Head bolts (E), Wood dowel (A) and Horizontal-hole bolts (F). And move side horizontal panel #18 into the connecting groove between #1. Tighten with Allen key (M).
2. Align and fix the Back left leg (long) #6 with Side horizontal #10, #12 and #15 using Hex-Head bolts (E) Wood dowel (A) and Horizontal-hole bolts (F). And move side horizontal panel #18 and side vertical panel #19 into the connecting groove between #6. Tighten with Allen key (M).
3. Align and fix the Back left leg (long) #6 with Side horizontal (top) #16 using Hex-Head bolts (E) and Horizontal-hole bolts (F). Tighten with Allen key (M).



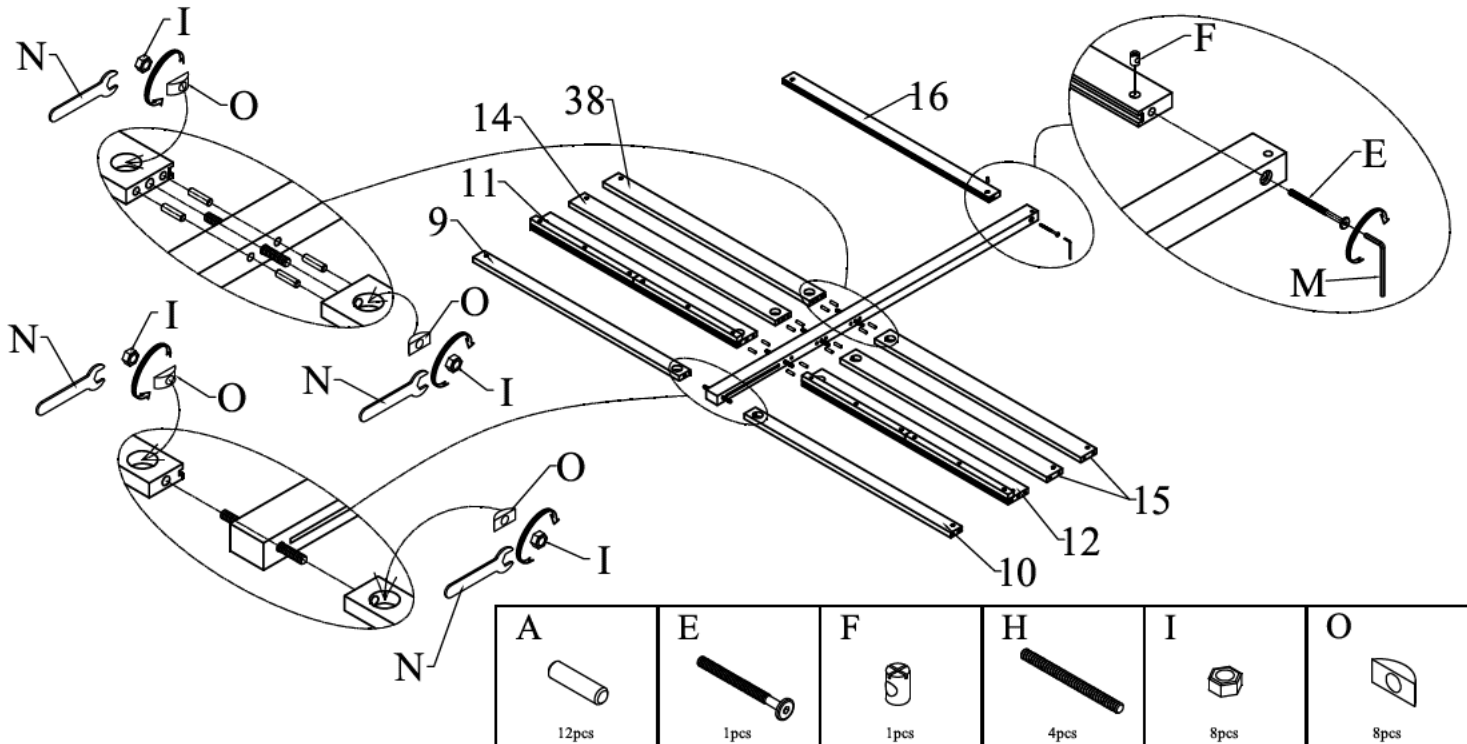
STEP 4

1. Align and fix the Middle leg #2 with Side horizontal #17 and Side rail (middle) #13 using Hex-Head bolts (E), Wood dowel (A) and Horizontal-hole bolts (F). Tighten with Allen key (M).
1. Align and fix the Back middle leg (long) #7 with Side horizontal #17 and Side rail (middle) #13 using Hex-Head bolts (E), Wood dowel (A) and Horizontal-hole bolts (F). Tighten with Allen key (M).



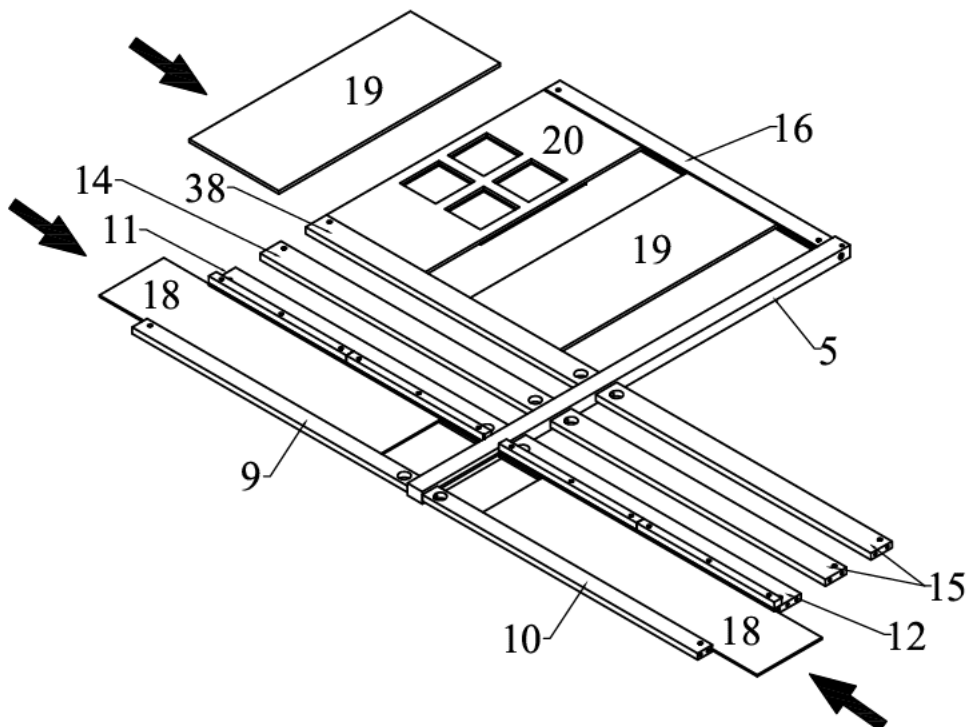
STEP 5

1. Align and fix the Front left leg (long) #5 with Side horizontal (top) #16 using Hex-Head bolts (E) and Horizontal-hole bolts (F). Tighten with Allen key (M).
2. Align and fix the Front left leg (long) #5 with Side horizontal #9, #10, #14, #15, #38 and Side rail #11, #12 using the Full thread bolts (H), Semi-circular (O), Wood dowel (A) and Hexagonal screw (I).



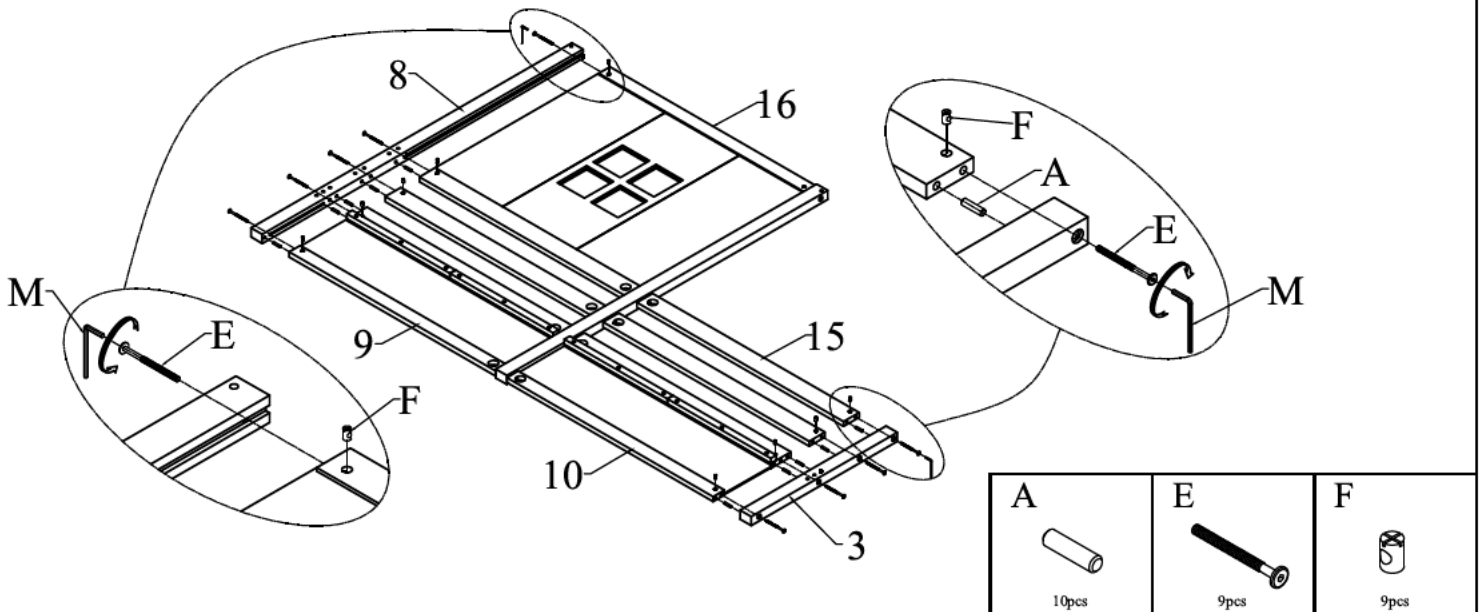
STEP 6

1. Align and fix the support frame. The move side vertical panel #19 and Door frame #20 into the connecting groove between Side horizontal #16, #39 and #4.
2. Align and fix the support frame. The move side horizontal panel #18 into the connecting groove between Side horizontal #9, #10, #11 and #12.



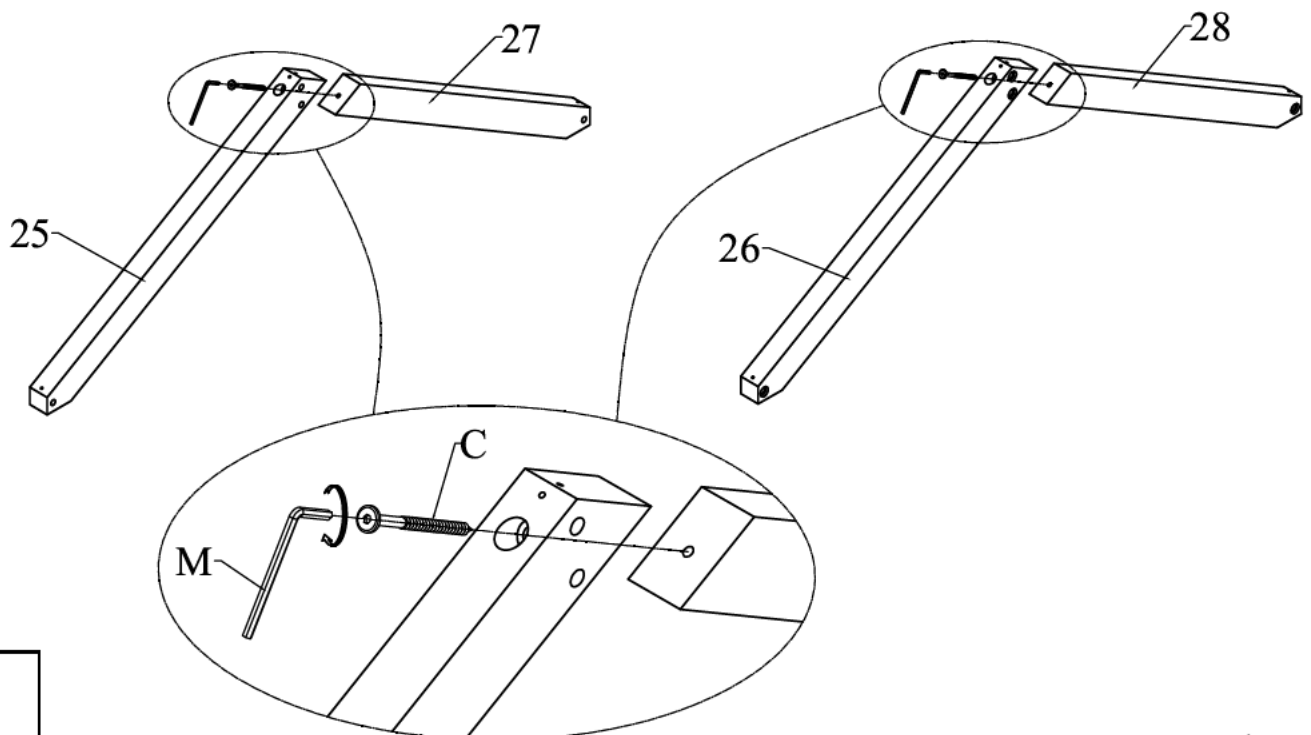
STEP 7

1. Align and fix the Front left leg (short) #3 with Side horizontal #10, #12, and #15 using Hex-Head bolts (E), Wood dowel (A) and Horizontal-hole bolts (F). And move side horizontal panel #18 into the connecting groove between #3. Tighten with Allen key (M).
2. Align and fix the Back left leg (long) #8 with Side horizontal #9, #11 and #14 using Hex-Head bolts (E) Wood dowel (A) and Horizontal-hole bolts (F). And move side horizontal panel #18 and side vertical panel #19 into the connecting groove between #8. Tighten with Allen key (M).
3. Align and fix the Back left leg (long) #8 with Side horizontal (top) #16 using Hex-Head bolts (E) and Horizontal-hole bolts (F). Tighten with Allen key (M).



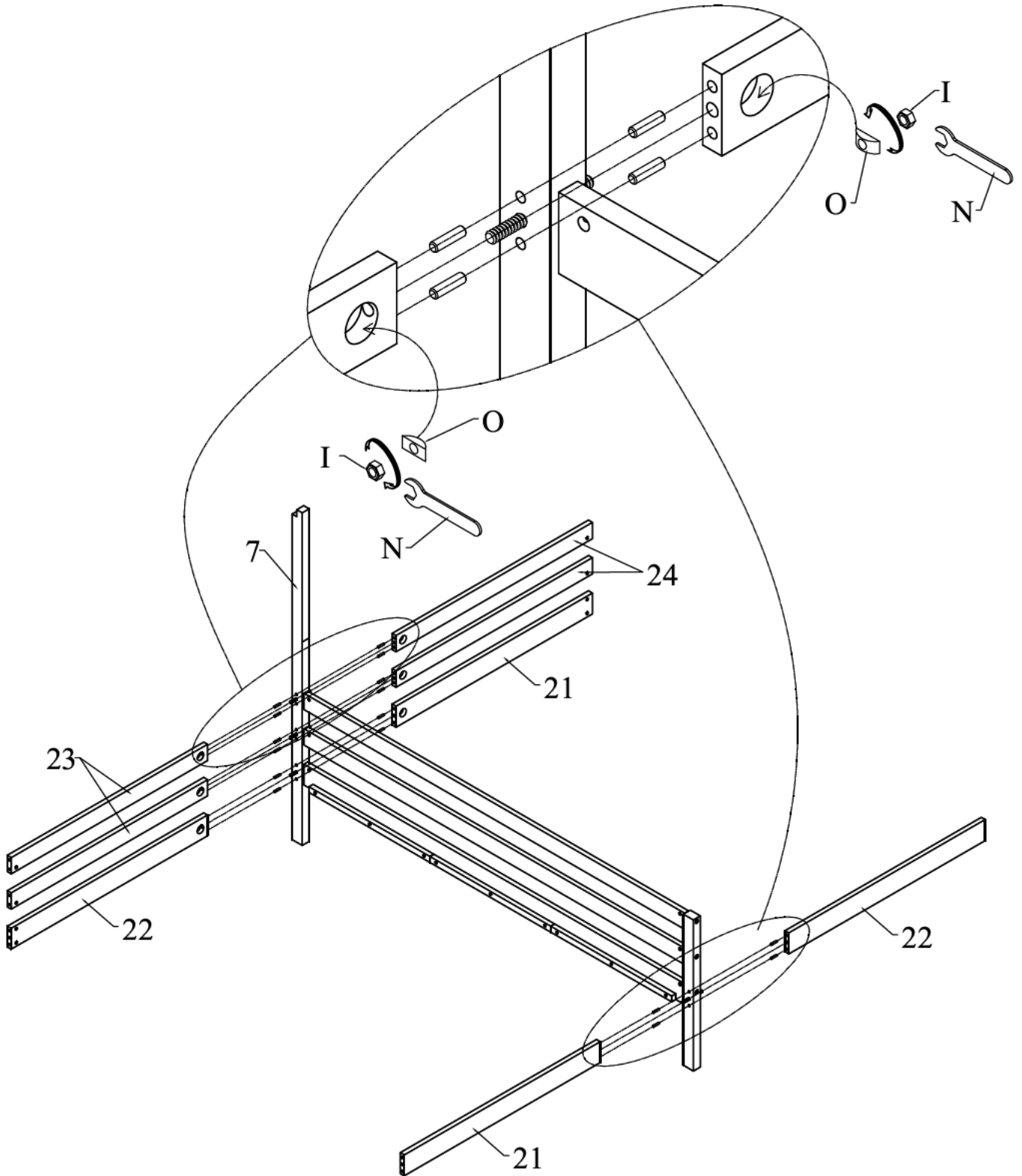
STEP 8

1. Align and fix the Cap for top (left-right back) #27 and #28 with Cap for top (left-right front) #25 and #26 using the Hexagonal bolts catch wood (C). Tighten with Allen key (M).



STEP 9

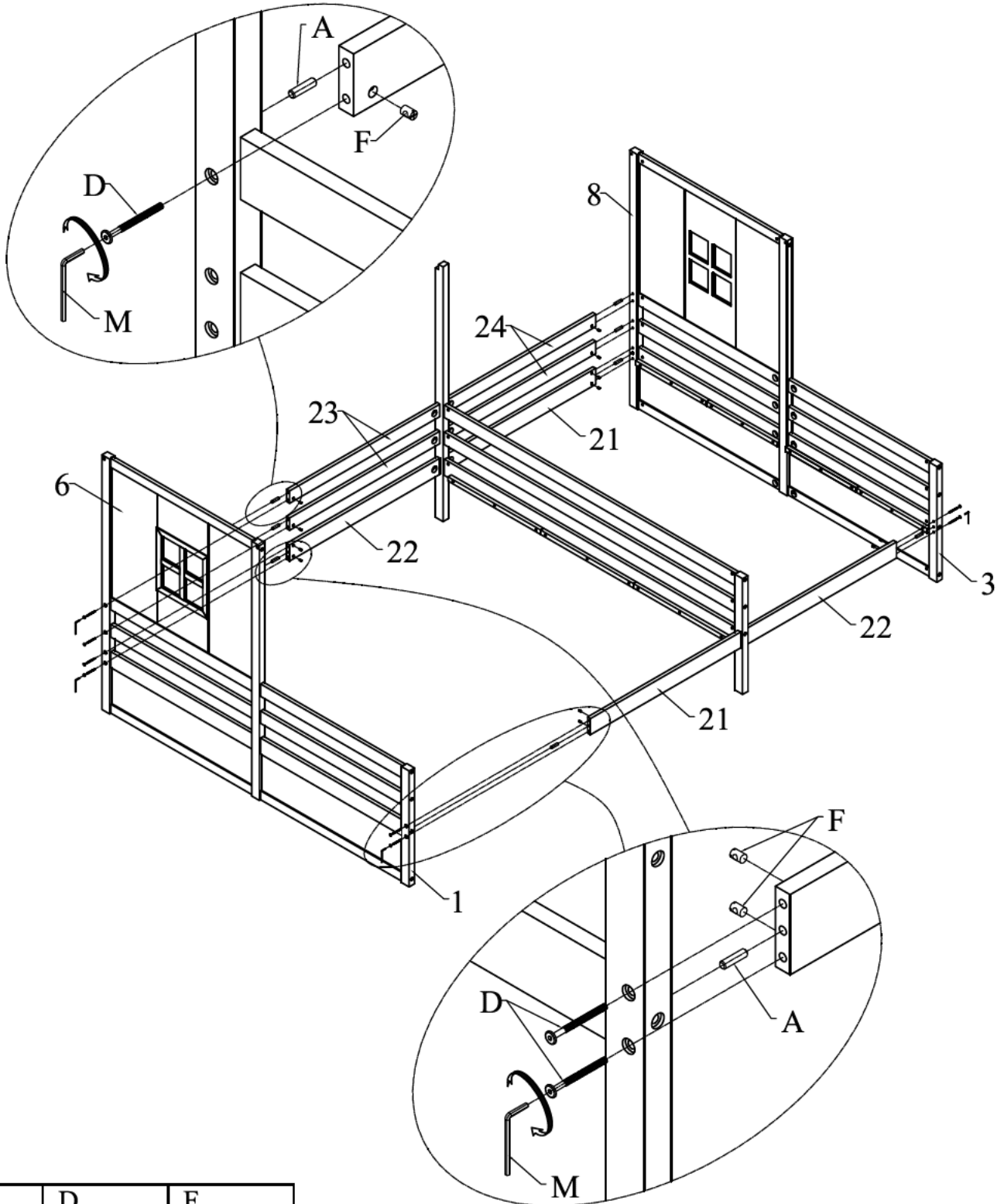
1. Align and fix the Middle left leg (short) #2 with Front horizontal #21, and #22 using Full thread bolts (G), Semi-circular (O), Wood dowel (A) and Hexagonal screw (I). Tighten with Wrench key (N).
2. Align and fix the Middle left leg (long) #7 with back horizontal #21, #22, #23 and #22 using Full thread bolts (G), Semi-circular (O), Wood dowel (A) and Hexagonal screw (I). Tighten with Wrench key (N).



A	G	I	O
16pcs	4pcs	8pcs	8pcs

STEP 10

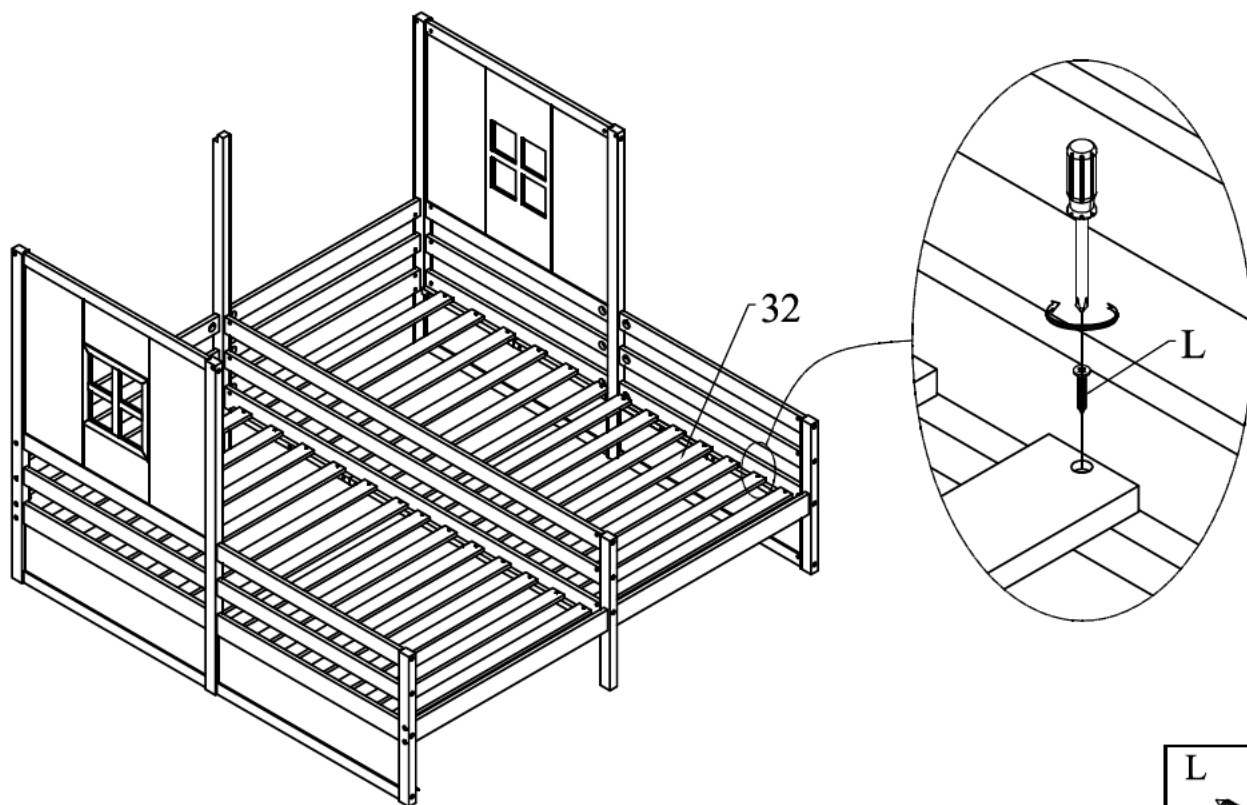
1. Align and fix the Left-right leg (short) #1 and #3 with Front horizontal (left-right)#21, and #22 using Hex-Head bolts (D), Wood dowel (A) and Horizontal-hole bolts (F). Tighten with Allen key (M).
2. Align and fix the Back left-right leg (long) #6 and #8 with back horizontal (left-right)#21, #22, #23 and #24 using Hex-Head bolts (D), Wood dowel (A) and Horizontal-hole bolts (F). Tighten with Allen key (M).



A	D	F
8pcs	12pcs	12pcs

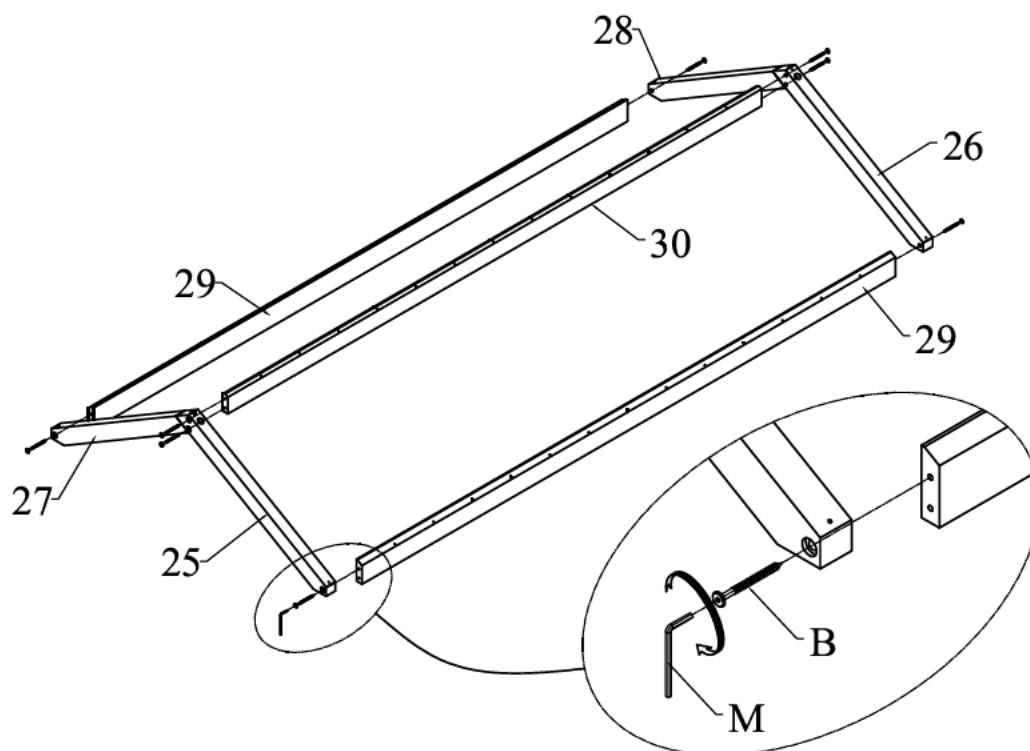
STEP 11

1. Align and fix the Slats #32 using wood Screws (L). Tighten with screw driver (not included).



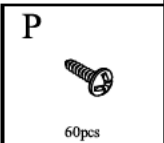
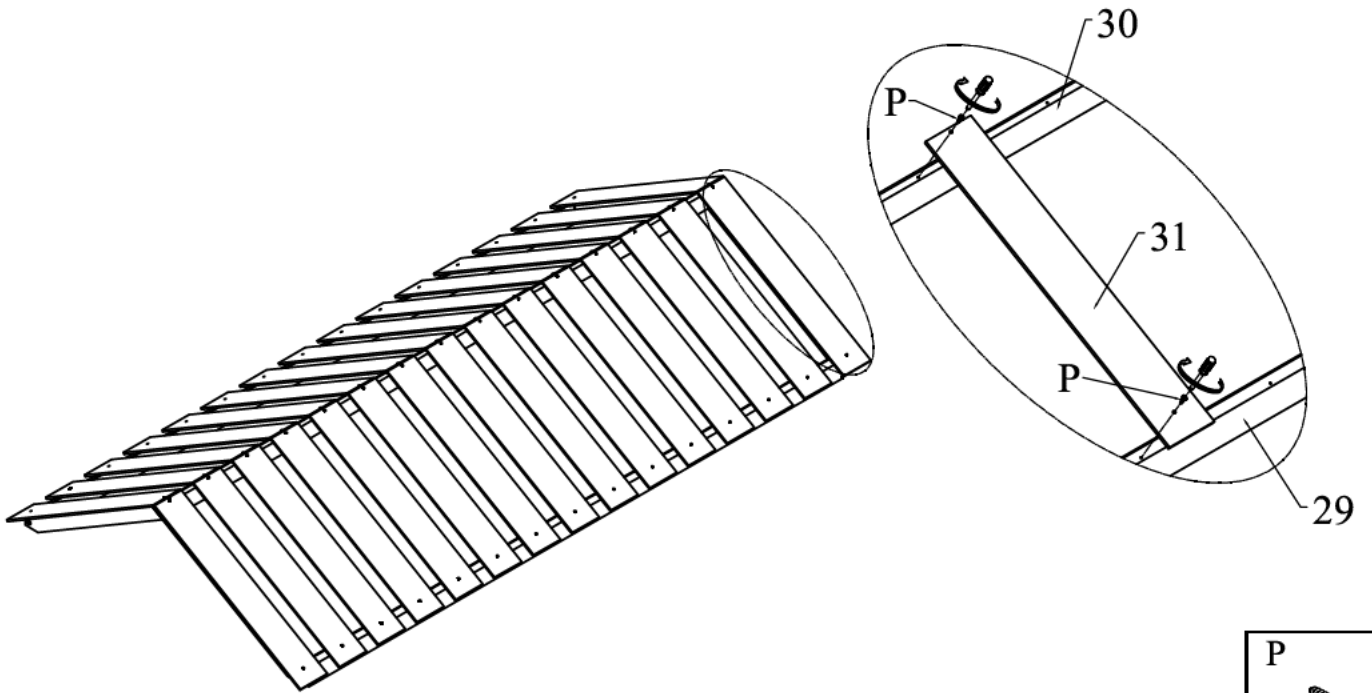
STEP 12

1. Align and fix the Cap for top frame #25, #26, #27 and #28 with Guard rail top (side-middle) #29 and #30 using the Hexagonal bolts catch wood (B). Tighten with Allen key (M).



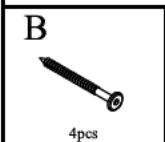
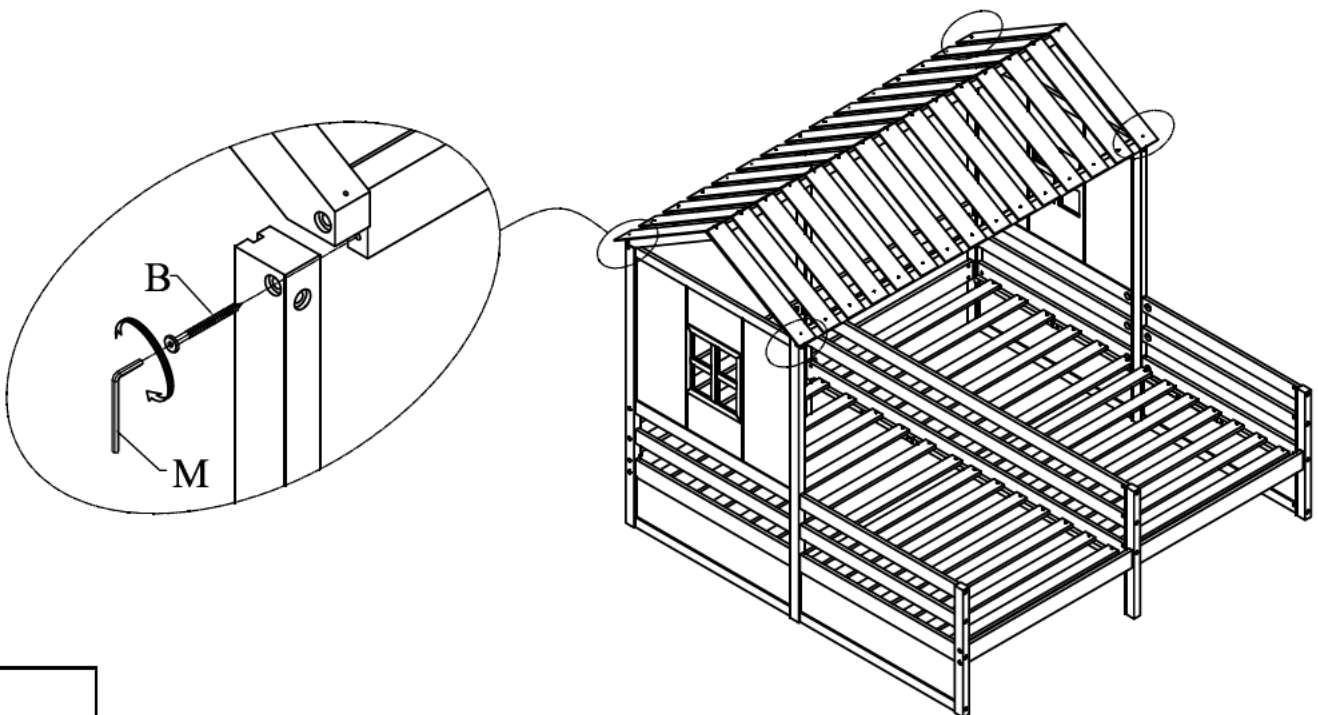
STEP 13

1. Align and fix the top frame. The top #31 with the cap for top frame #25, #26, #27 and #28 using Wood Screws (P). Tighten with screw driver (not included).
2. Align and fix the top frame. The top #31 with the Guard rail top (side-middle) #29 and #30 using Wood Screws (P). Tighten with screw driver (not included).



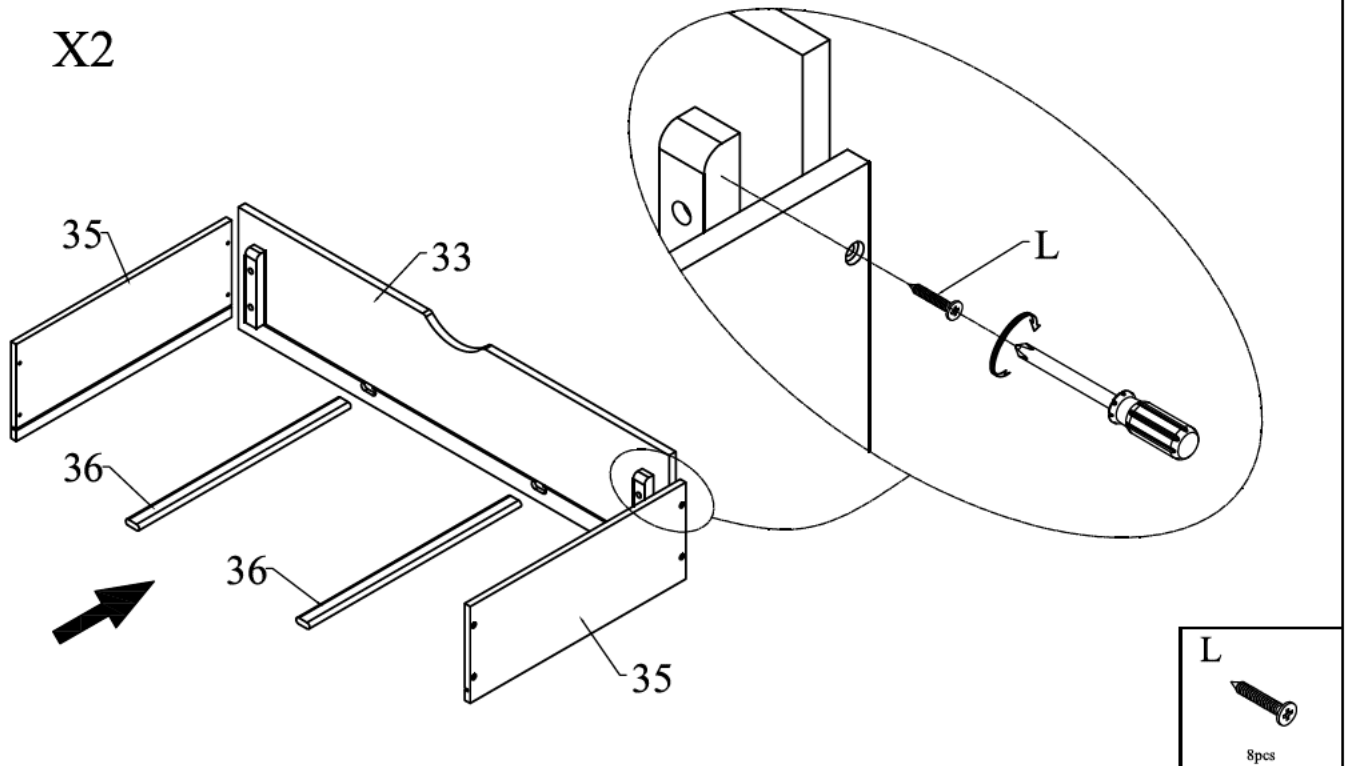
STEP 14

1. Align and fix the base frame with the top frame using the Hexagonal bolts catch wood (B). Tighten with Allen key (M).



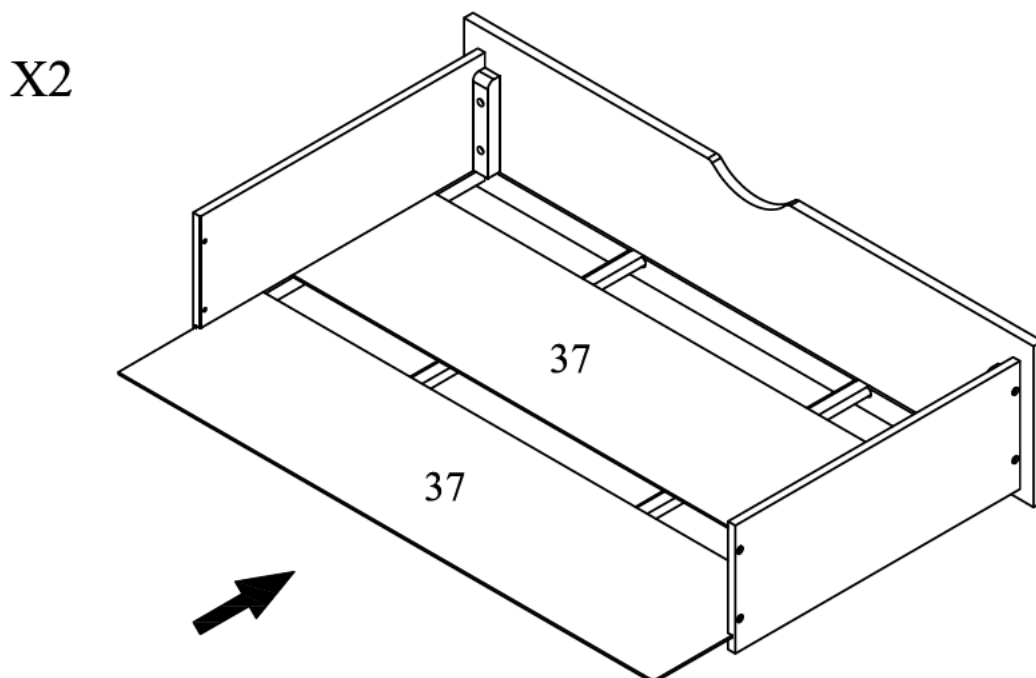
STEP 15

1. Align and fix the Drawer-Side #35 with the Drawer-Front #33 using Wood screws (L). Tighten with screw driver (not included).
2. Align and fix the support frame. The move Drawer-Support bar #36 into the connecting groove on the Drawer-Front #33



STEP 16

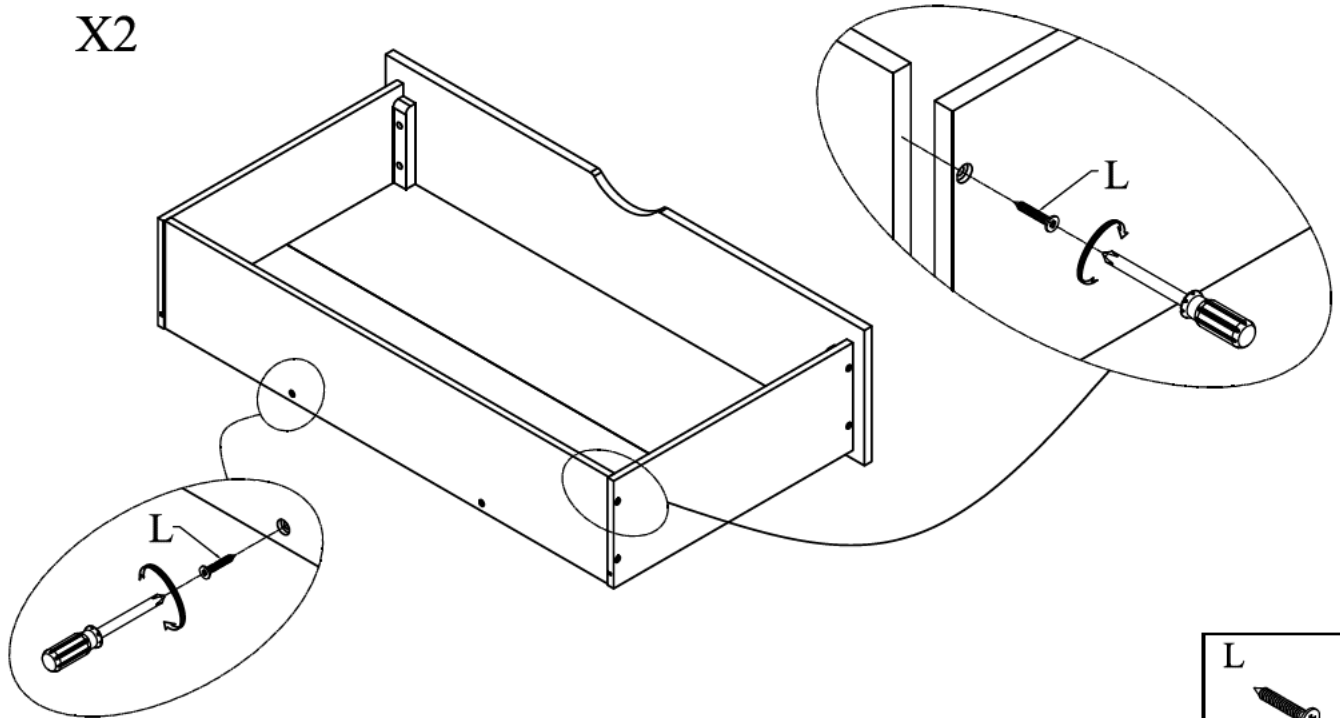
1. Align and fix the support frame. The move Drawer-Bottom #37 into the connecting groove on the Drawer-Side #35 to the Drawer-Front #33



STEP 17

1. Align and fix the Drawer-Side #35 with the Drawer-Back #34 using Wood screws (L).
Tighten with screw driver (not included).
2. Align and fix the Drawer-Support bar #36 with the Drawer-Back #34 using Wood screws (L).
Tighten with screw driver (not included).

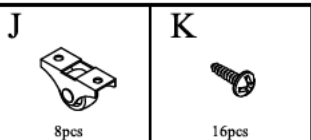
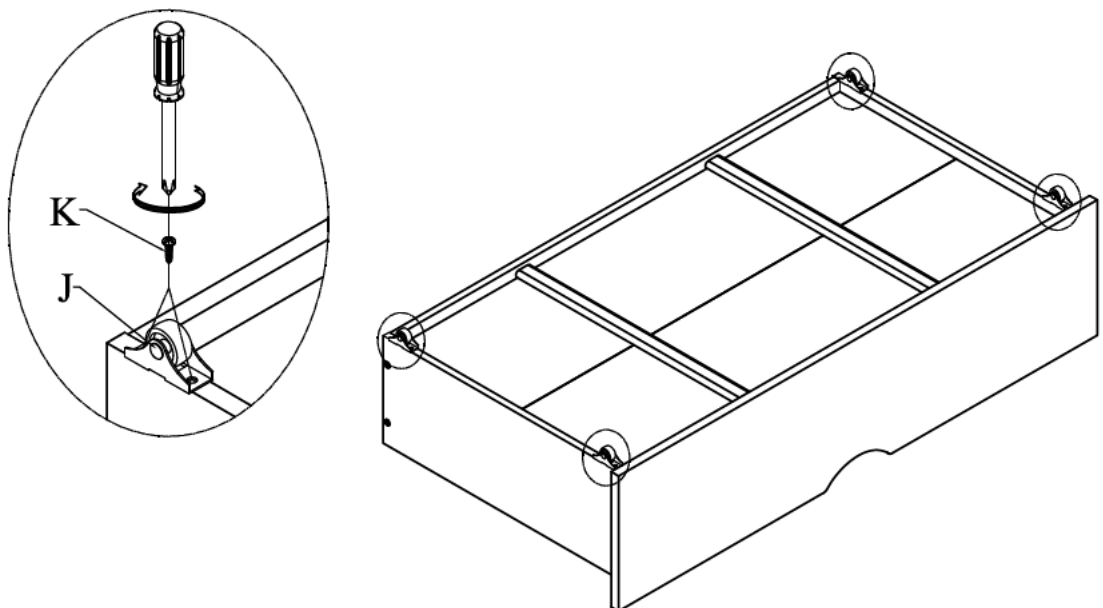
X2



STEP 18

1. Align and fix the Wheel (J) with the Drawer-Side #35 using Wood screws (K).
Tighten with screw driver (not included).

X2



COMPLETED

