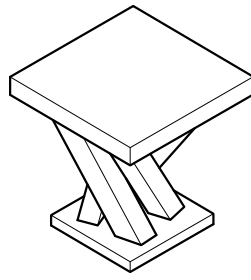
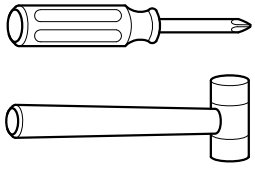
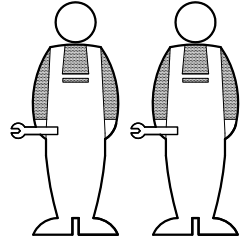


**ASSEMBLY
INSTRUCTIONS**

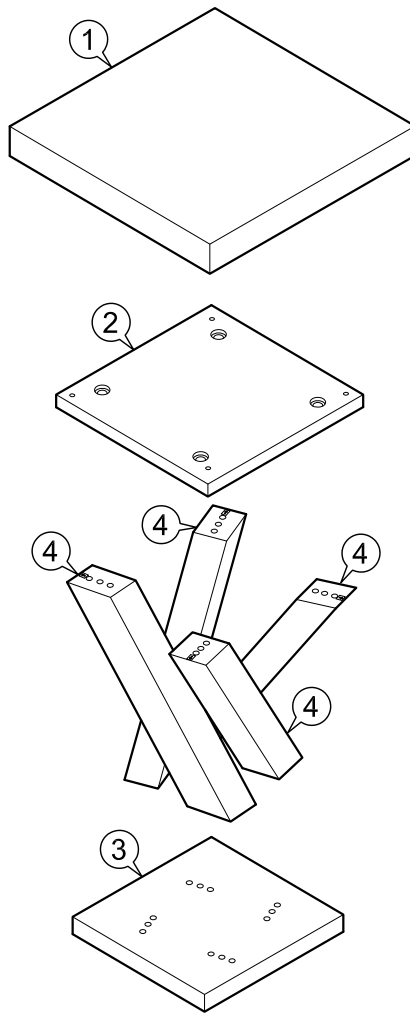
End Table



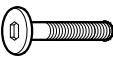

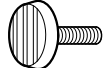



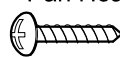
Not Provided

2 Persons

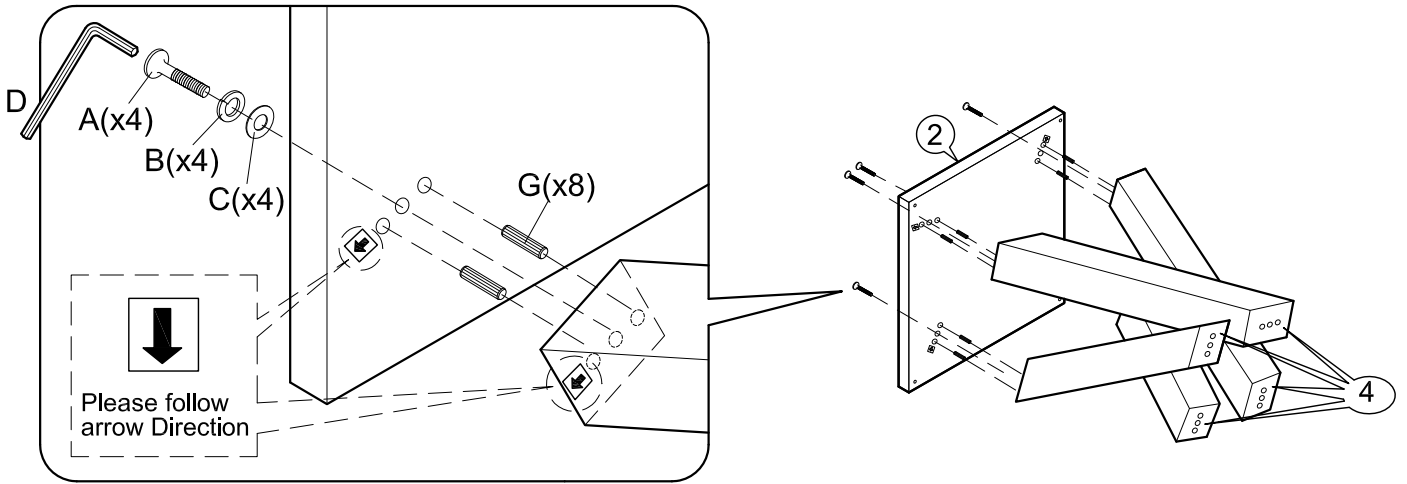
Part List



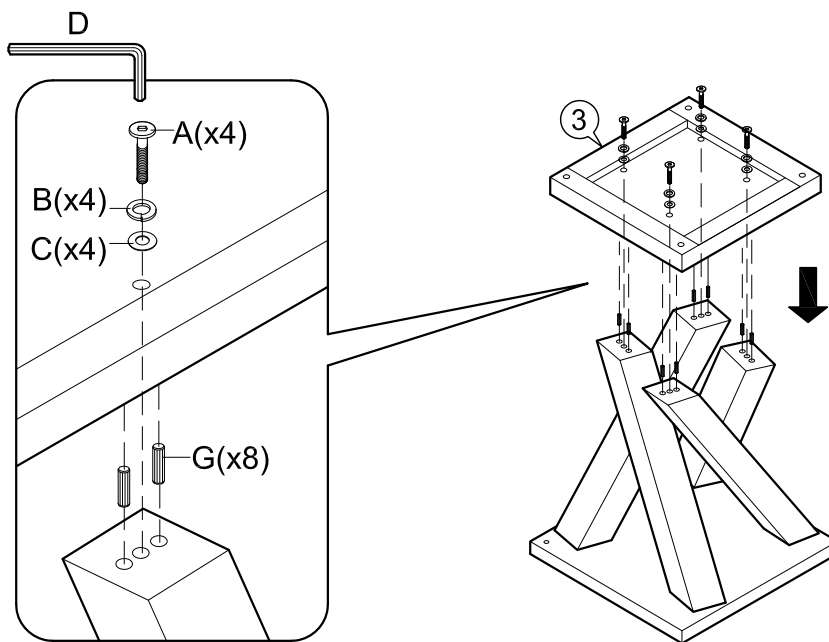
Hardware List

<p>A  M6x35mm = 8</p>	<p>C  M6 x13mm= 8</p>	<p>E  = 4</p>	<p>G  M8x25mm =16</p>
<p>B  1/4" = 8</p>	<p>D  = 1</p>	<p>F  Pan Head #8 x 1" = 4</p>	

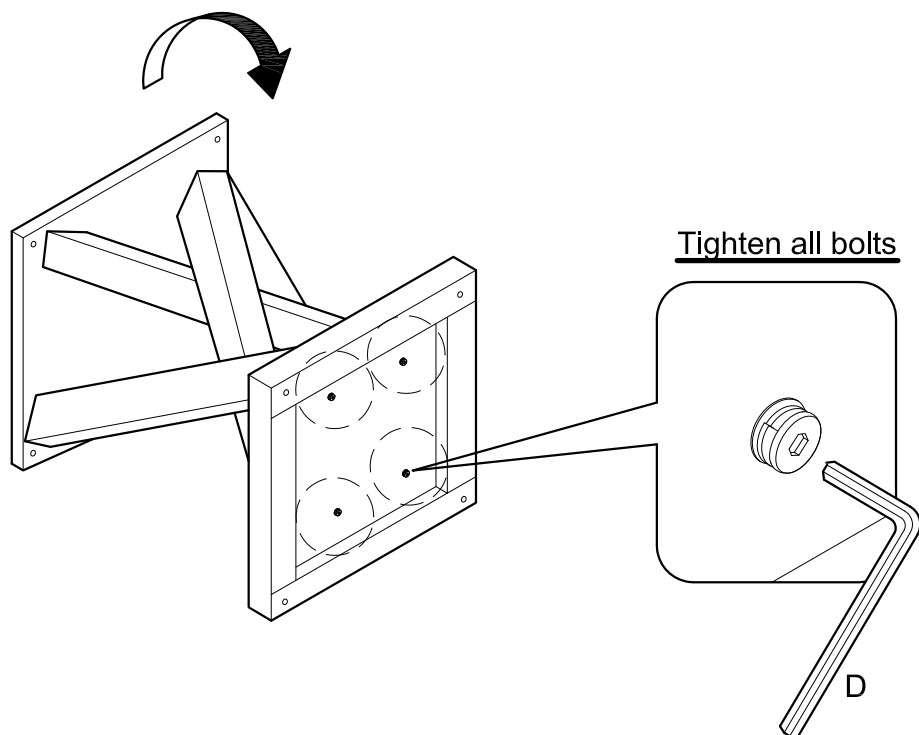
1



2



3



4

