

**H3L**

XHX-36

XHX-37

## WARRANTY INFORMATION

- Do not expose the surfaces to direct sunlight or to extreme environmental conditions.
- Clean the surfaces preferable with a clean damp cloth, then dry with a clean towel.
- Do not use solvents or abrasive materials to clean the unit. If you decide to use a cleaning agent, test first on an area hidden from view.
- Replacement parts might be available to you at no charge, with an original proof of purchase and where a defect has arisen, wholly or substantially, as a result of faulty manufacturing, parts or workmanship during the Warranty Period.
- The warranty does not extend to regular wear and tear, nor the manufacturer assumes liability for damages or consequences due to accidents, incorrect assembly, negligence, improper use, modifications, or not heeding the above warnings.

Thank you so much for your support! We hope you enjoy your purchase. If there is any damage or missing accessories, please feel free to contact us for free replacement or refund. You can quickly find us through **Customer Service Line: +1-888-292-2399**  
**Customer Service Email: [service7770@outlook.com](mailto:service7770@outlook.com)** with your order number, we will try our best to solve this problem for you !

Thank you !

# TABLE OF CONTENTS

**Customer Service Line: +1-888-292-2399**

**Customer Service Email: [service7770@outlook.com](mailto:service7770@outlook.com)**

---

**01** Warranty Information

---

**02** Important Safety Instructions

**02** Tools Needed

---

**03** Parts List

**04** Assembly

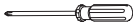
---

## IMPORTANT SAFETY INSTRUCTIONS

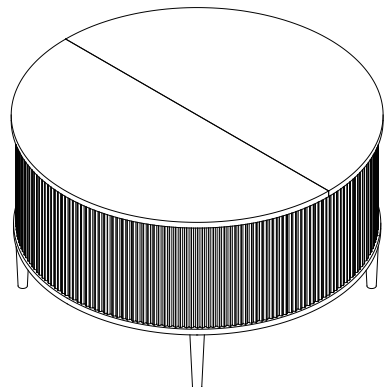
- Check if all the parts are complete before installation.
- Read through the instructions before installing the cabinet.
- Keep the small parts away from children to avoid the risk of swallowing.
- Screw the cabinet to the wall to avoid the risk of falling down.

## TOOLS NEEDED

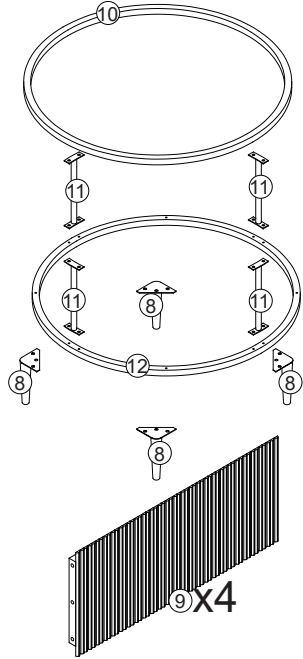
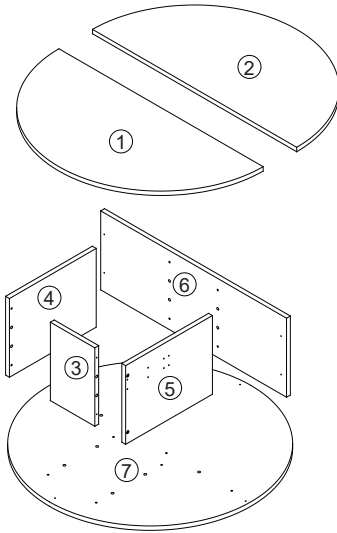
Screws Driver -1PC


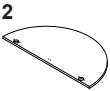
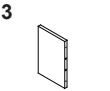
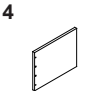
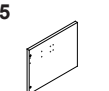
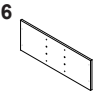
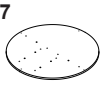
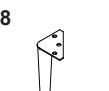





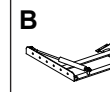
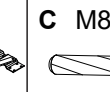
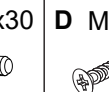
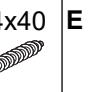
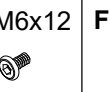
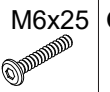
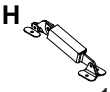
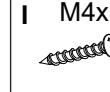
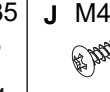

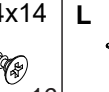

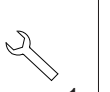
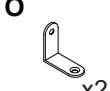


( Not included)

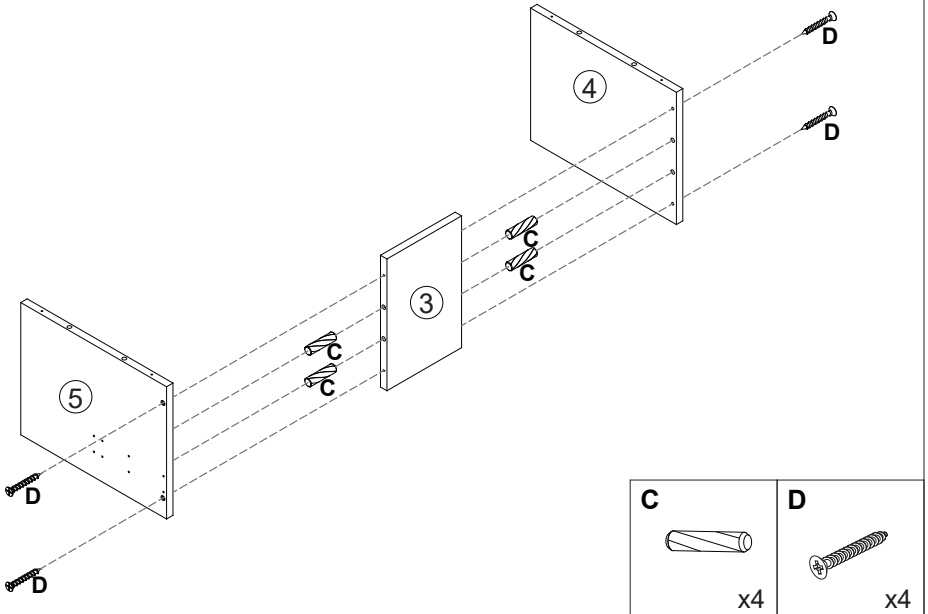


# Packing List

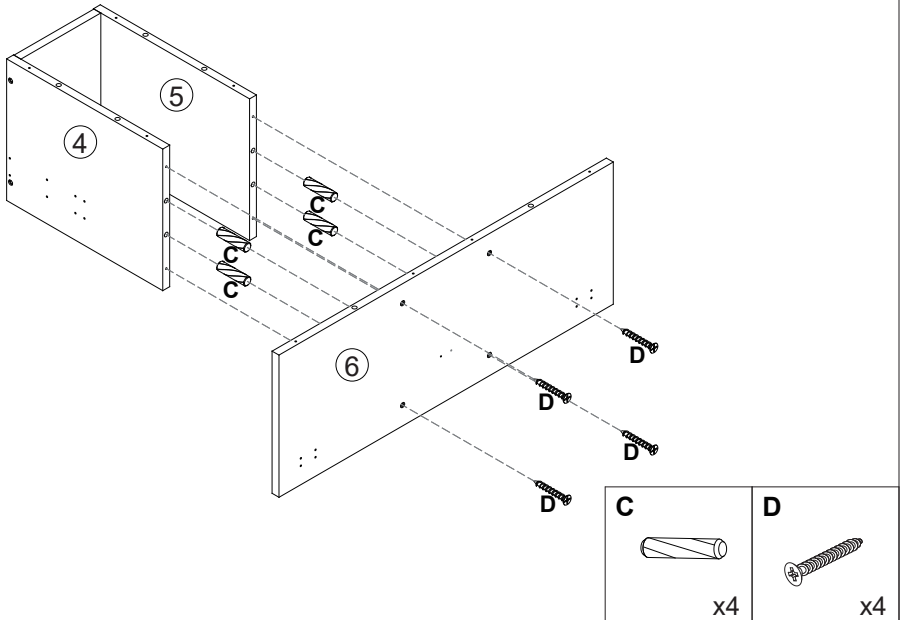


 x1	 x1	 x1	 x1	 x1	 x1	 x1	 x4	
 x4	 x1	 x4	 x1					
 x1	 x1	 x14	 x16	 x28	 x12	 x1		
 x1	 x4	 x32	 x16	 x2	 x1	 x2		
 x2								

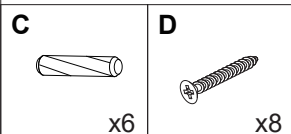
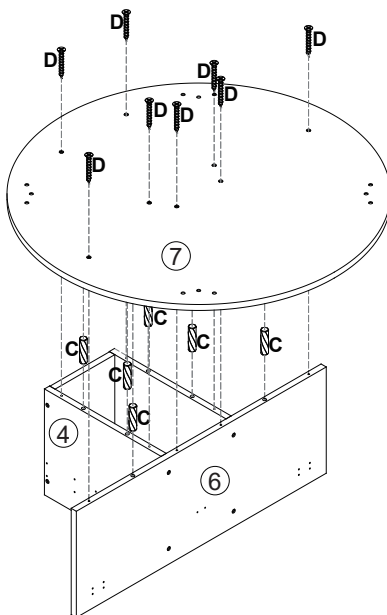
## Step 1



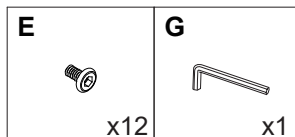
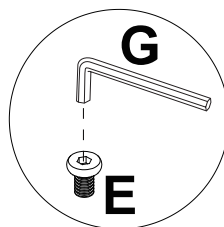
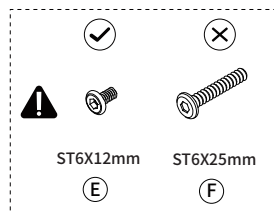
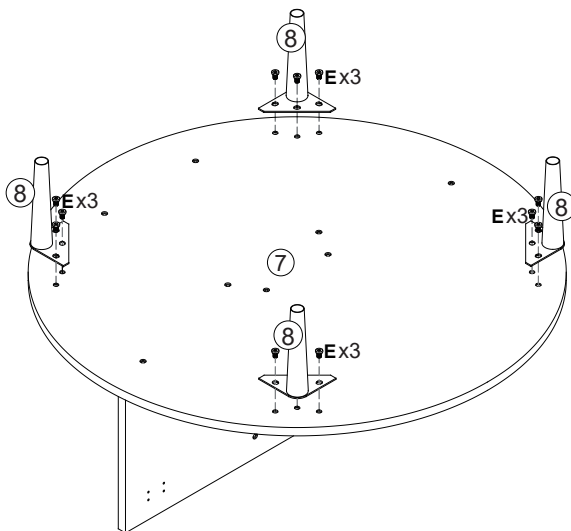
## Step 2



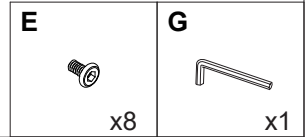
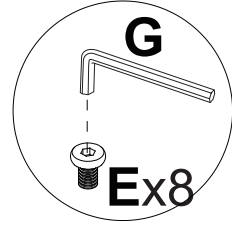
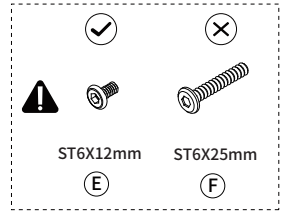
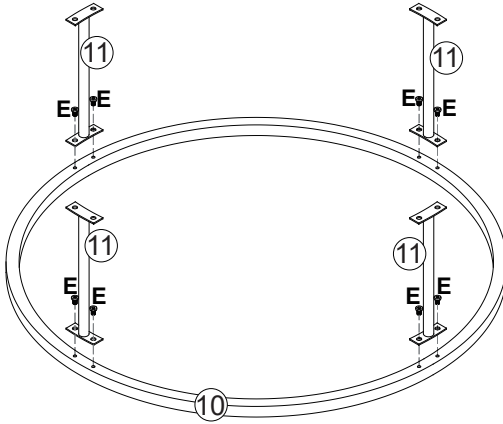
### Step 3



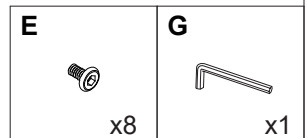
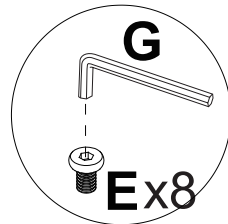
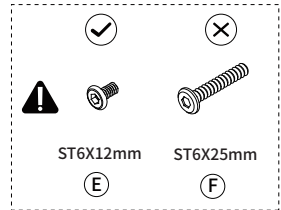
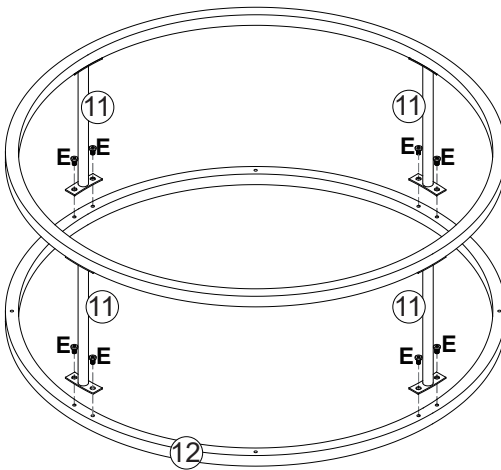
### Step 4



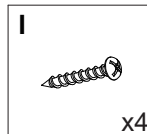
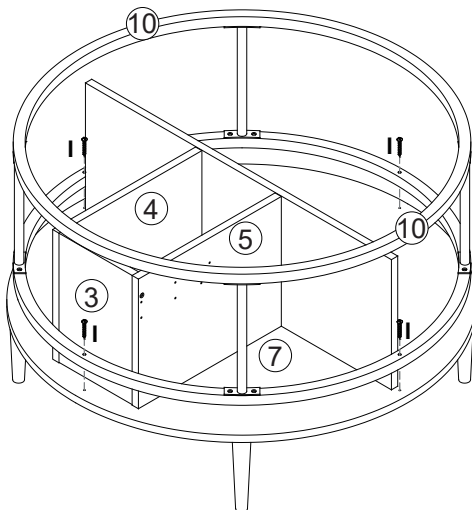
## Step 5



## Step 6

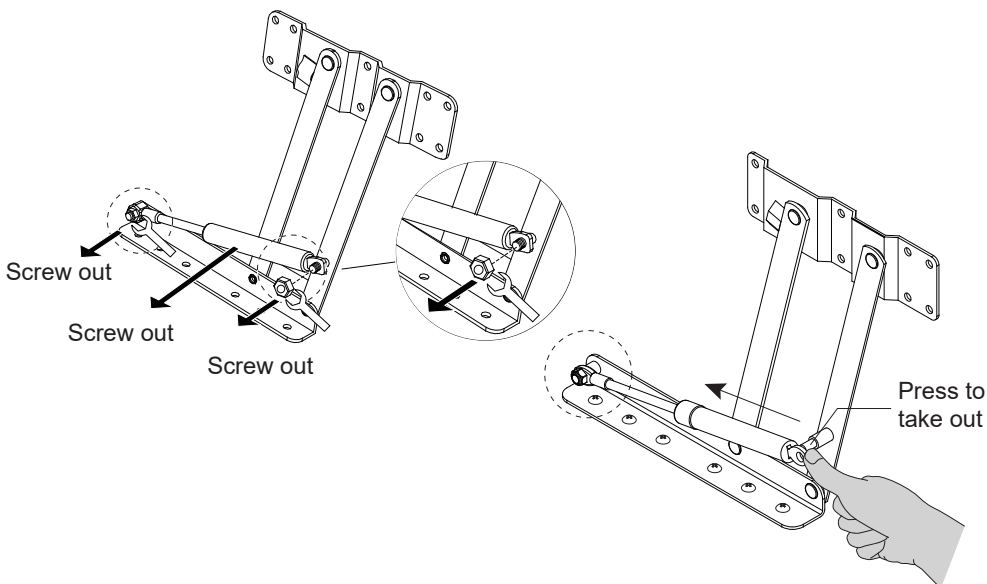


## Step 7



## Step 8

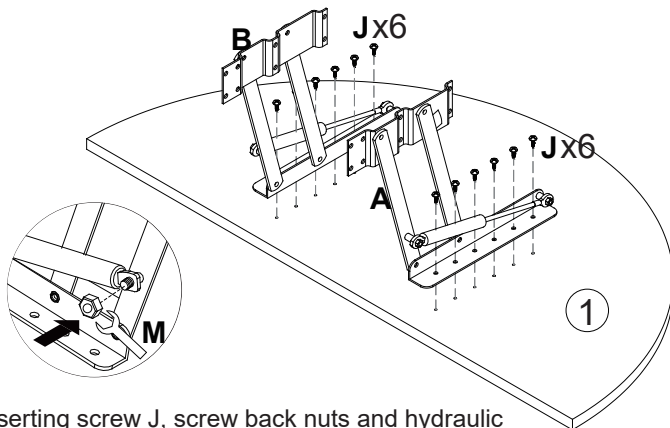
Screw out nuts and take out hydraulic rod by provided wrench, Then it will be easier to insert screws.



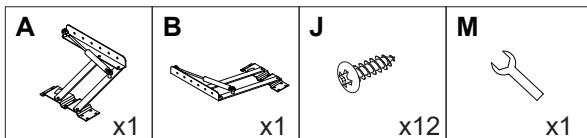
## Step 9



Pay attention to the place of hinge before assembling.



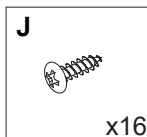
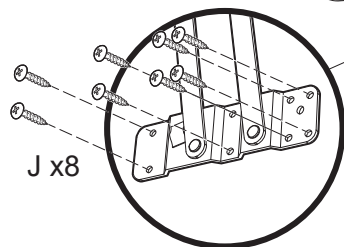
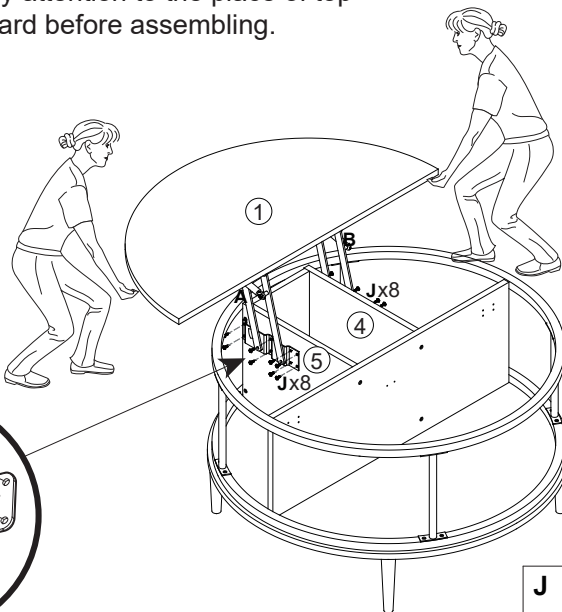
After inserting screw J, screw back nuts and hydraulic rod from each lift hinges with the provided wrench.



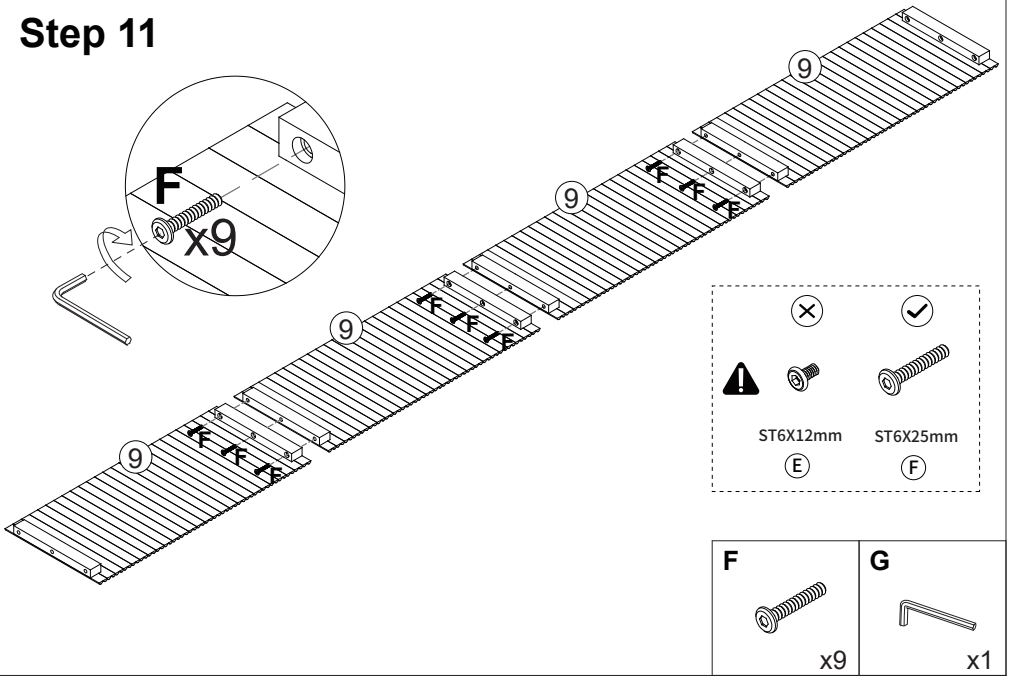
## Step 10



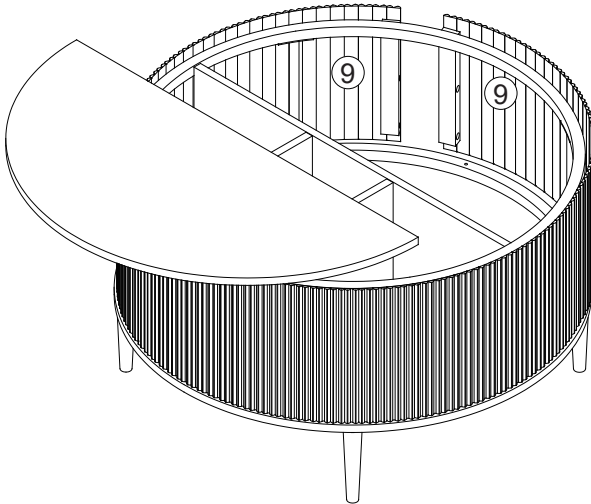
Pay attention to the place of top board before assembling.



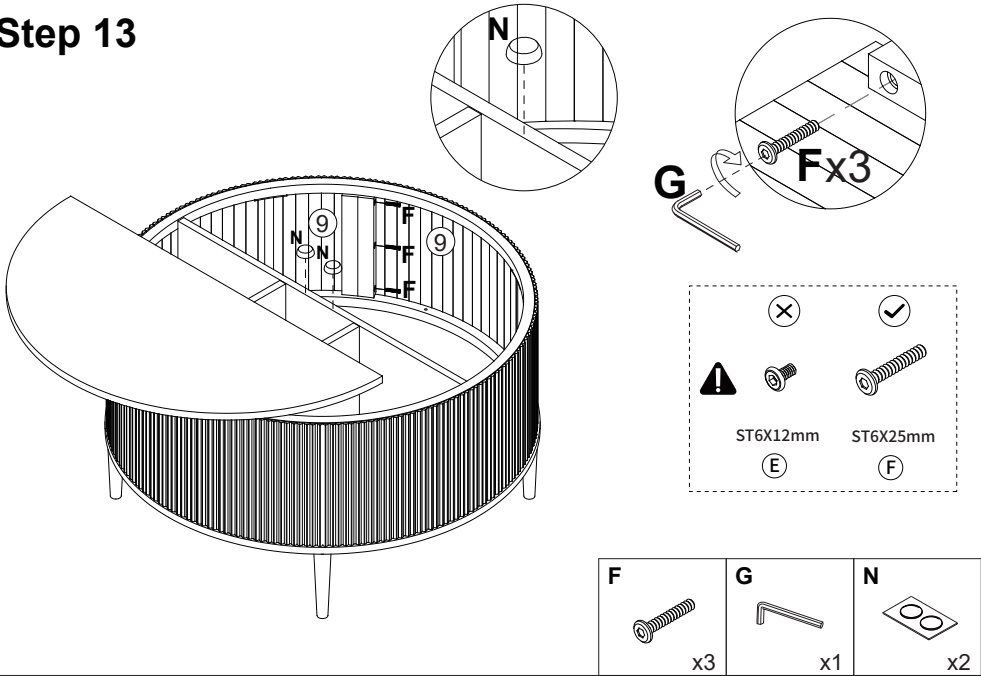
## Step 11



## Step 12

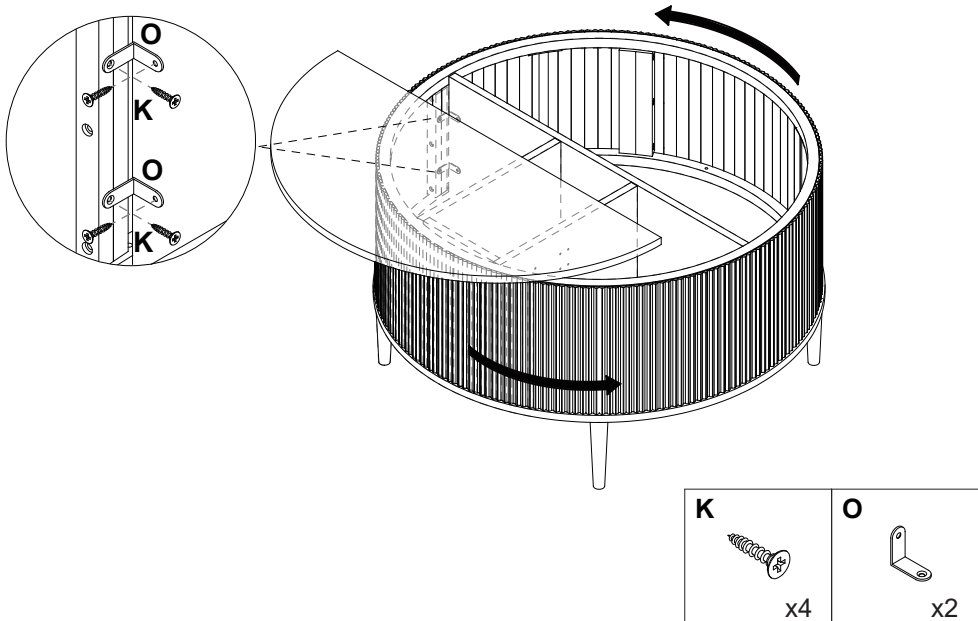


### Step 13

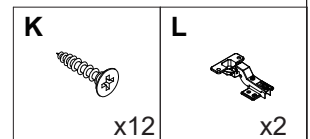
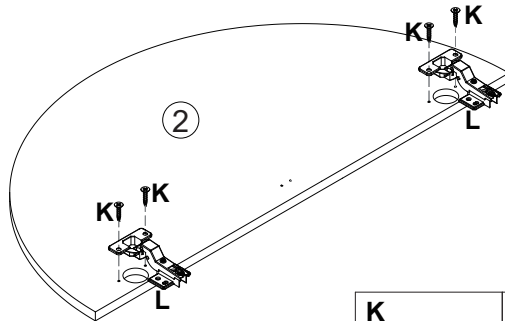
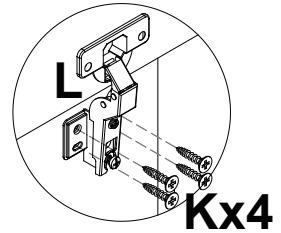
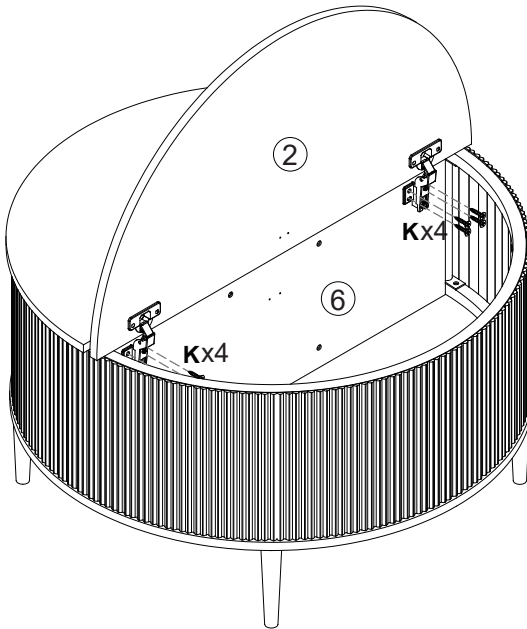
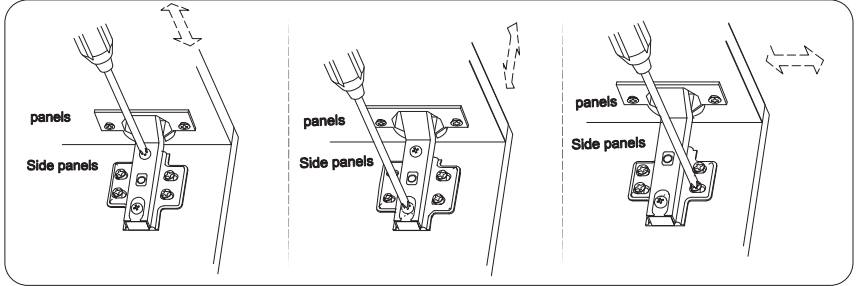


### Step 14

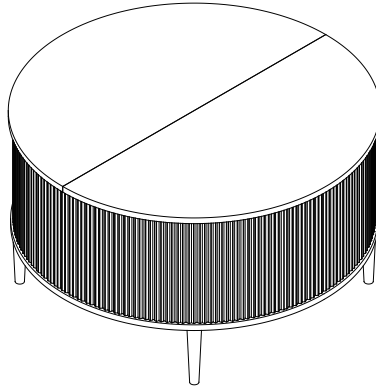
Installation tips: Rotate the side plate to this position and fix it



## Step 15



## Step 16



Installation tips: After the panel is closed and the gaps are evenly adjusted, proceed to the next step.

