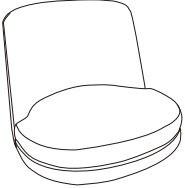
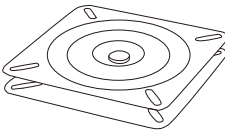
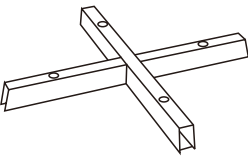

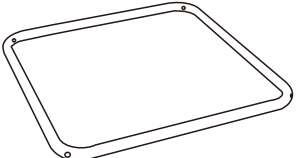
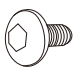
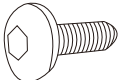
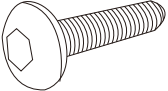





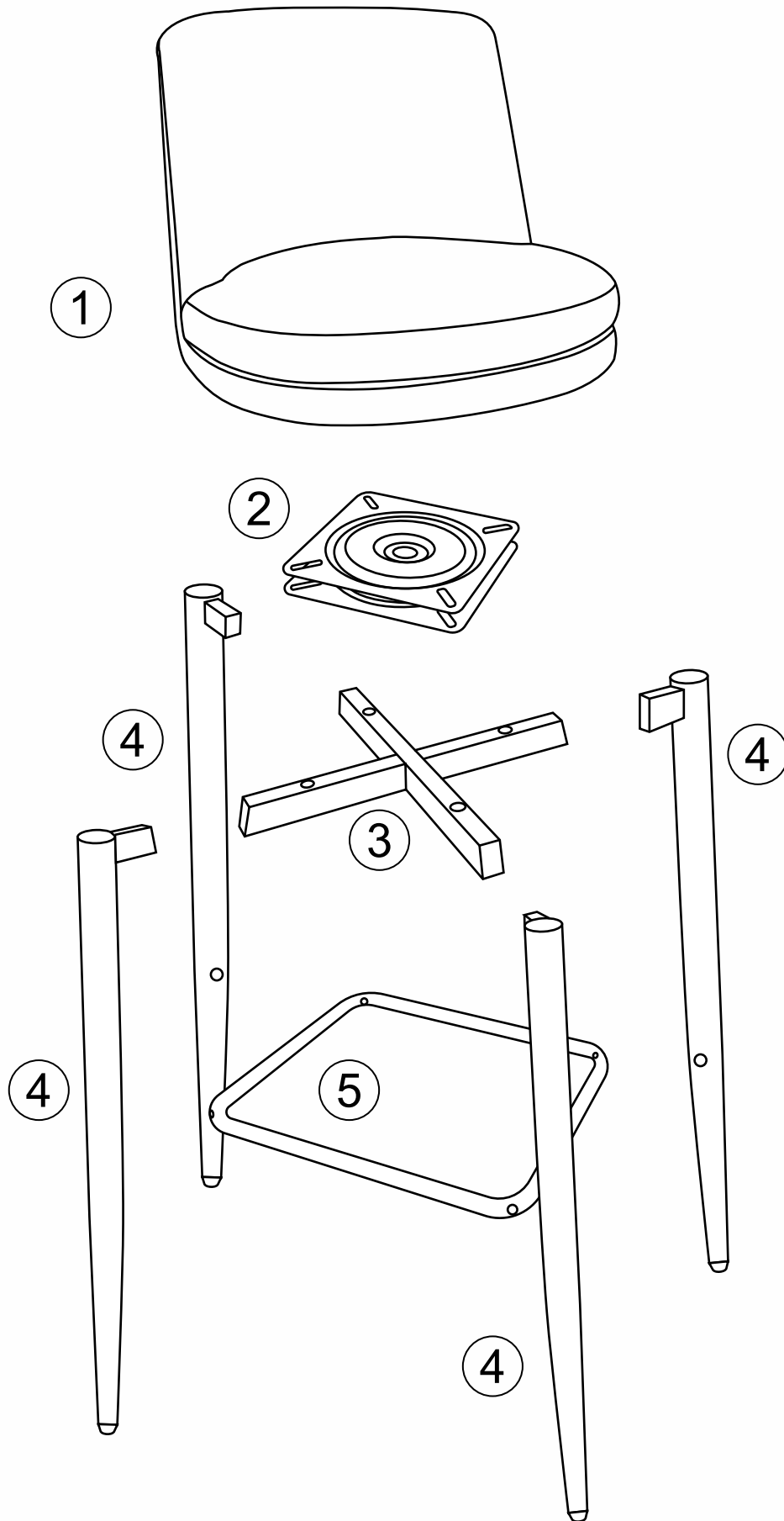
Parts List

<p>① x1pc Seat</p> 	<p>② x1pc Swivel plate</p> 	<p>③ x1pc Iron Frame</p> 	<p>④ x4pcs Legs</p> 
<p>⑤ x1pc Footrest</p> 			



Hardware List


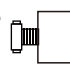
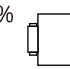
<p>Ax12+1pcs Bolts</p>  <p>M6*18mm</p>	<p>Bx4+1pcs Bolts</p>  <p>M6*25mm</p>	<p>Cx4+1pcs Bolts</p>  <p>M6*35mm</p>	<p>Dx1 Allen Wrench</p>  <p>M6</p>
---	--	---	---

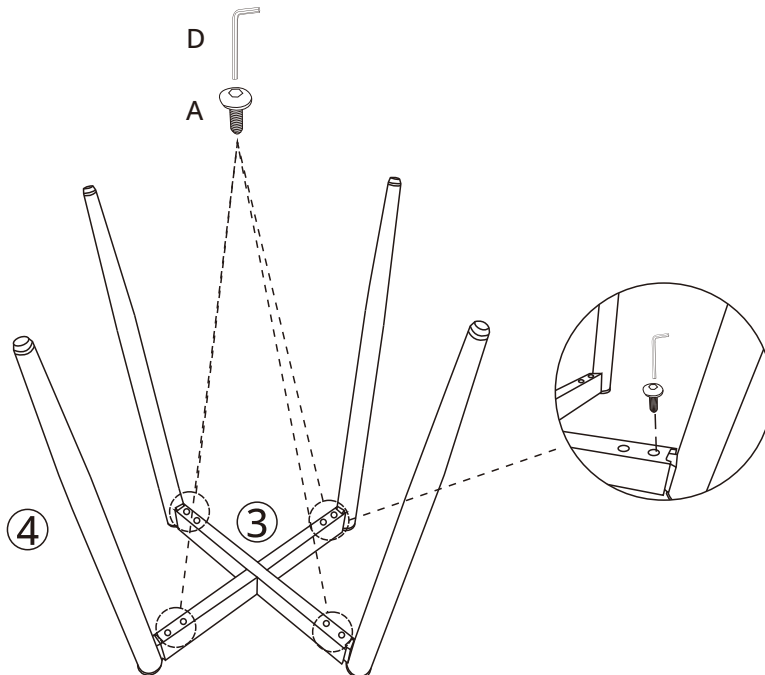
Components



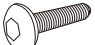

STEP 1


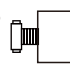
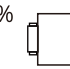
- A  x8
- D  x1

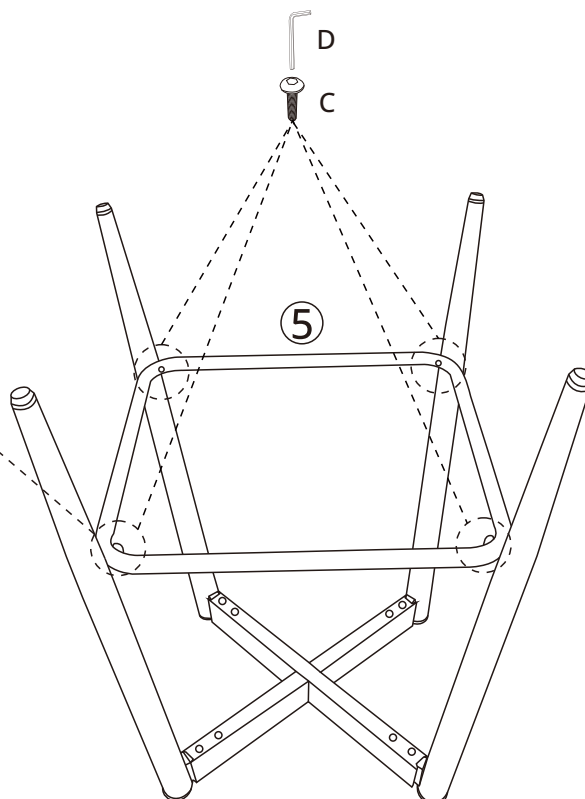
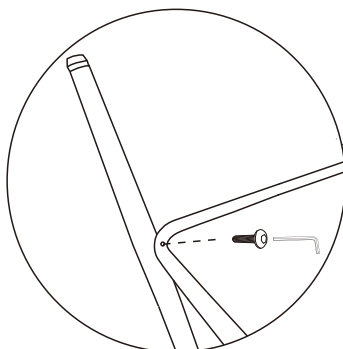
 80%	80%  ✓
	100%  ✗





STEP 2

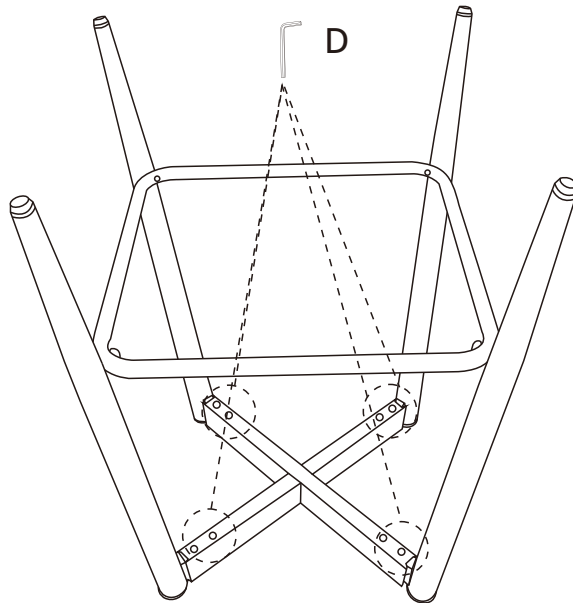
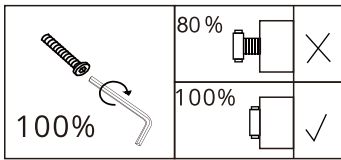
- C  x4
- D  x1

 100%	80%  ✗
	100%  ✓

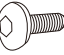



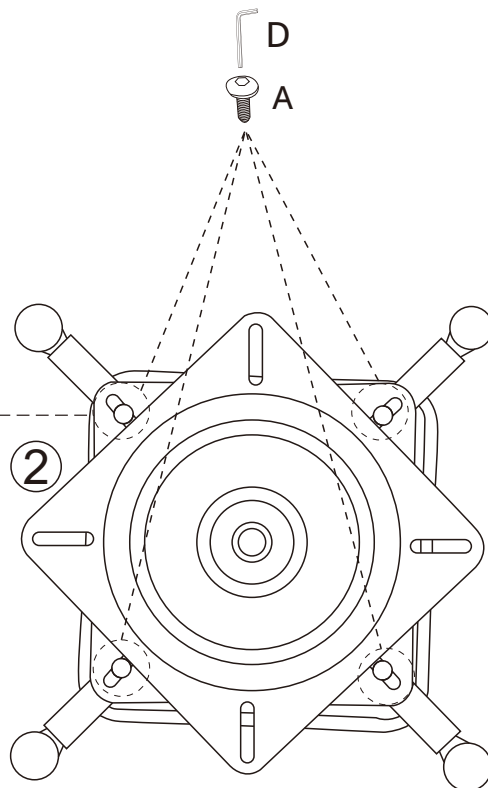
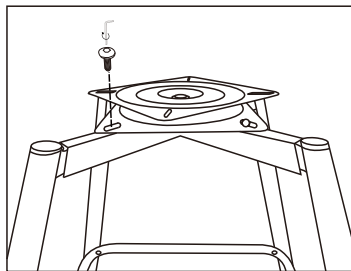
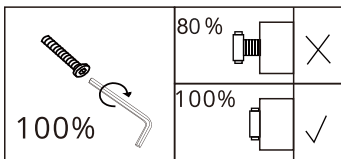
STEP3

A  x8
D  x1





STEP4


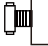

A  x4
D  x1

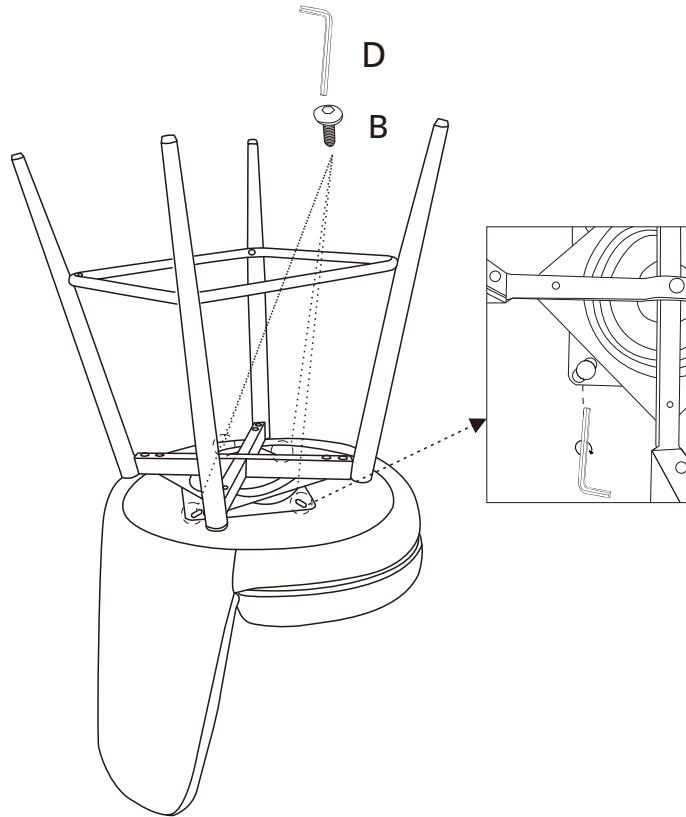


Rotate the Swivel plate until the the 8 holes are fully exposed for easier installation.

STEP 5

B		x4
D		x1

	80%		✗
	100%		✓



FINISHED

Please ensure that any screws which were not fully tightened in the previous steps are properly secured.

Adjust the leveling feet for balance.

