

BUFFET CABINET

User Manual

INTRODUCTION

Thank you for choosing the Buffet Cabinet. Please read this user manual carefully and keep it for future reference. If you need any assistance, please contact us by email with your order number and details.

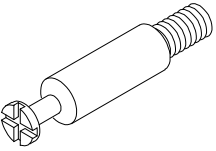

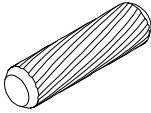
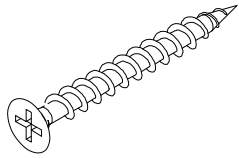
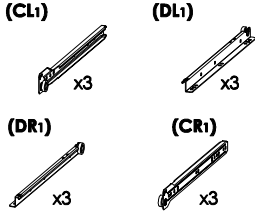
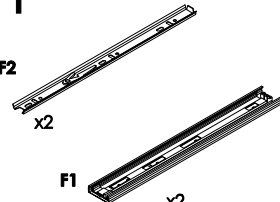
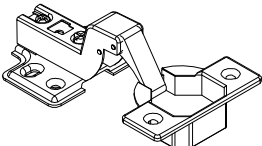
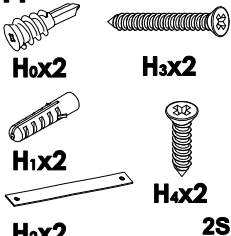
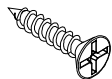
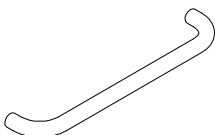
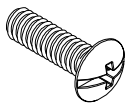
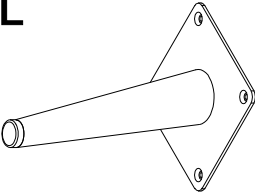
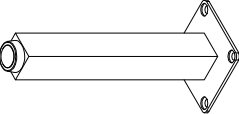
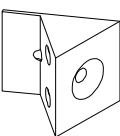
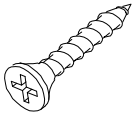
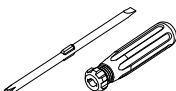
PACKAGE CONTENTS

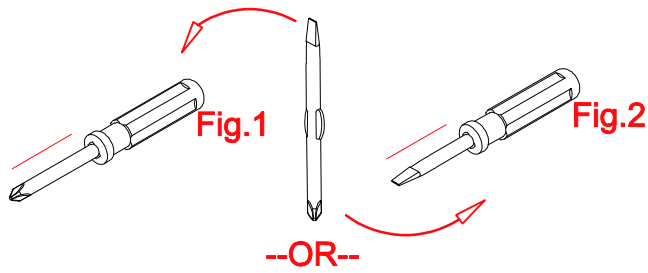
- Buffet Cabinet
- Pack of Accessories
- User Manual

PRODUCT CARE

- Please follow the instruction to assemble this item correctly.
- Don't make the screws be too loose or too tight.
- Please put the screws into the holes' position just as shown in the arrows of the image, and then clockwise rotate 90° or 180°
- The fittings pack contains small accessories that should be kept away from small children.

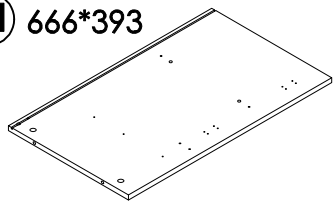
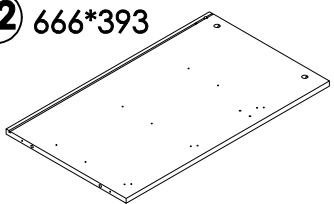
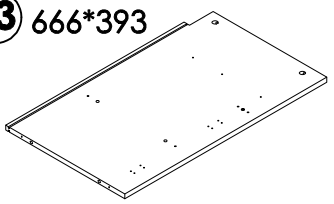
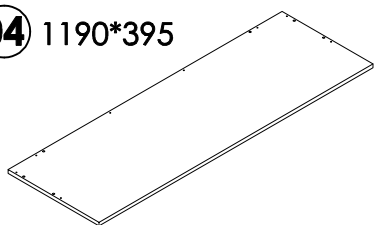
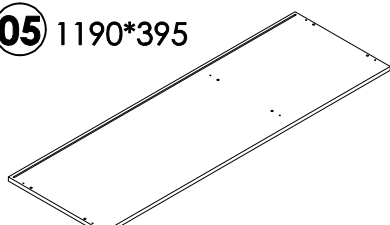
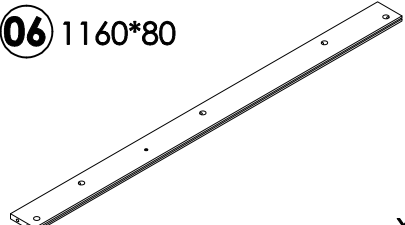
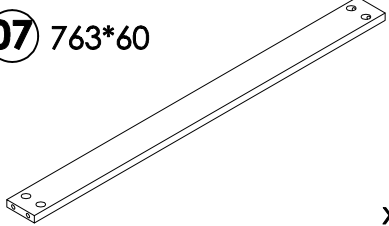
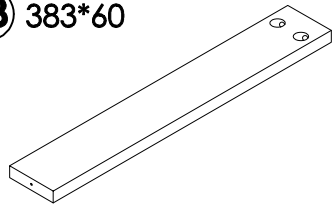
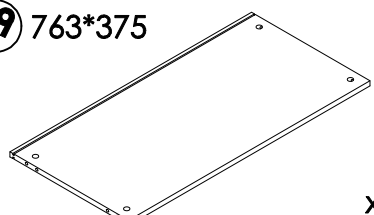
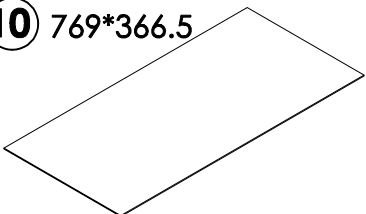
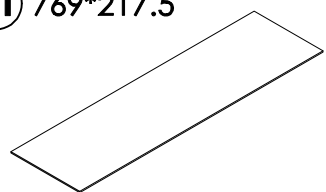
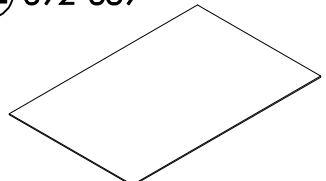
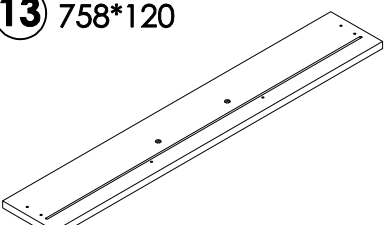
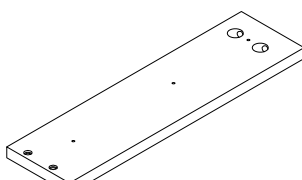
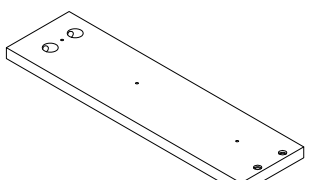
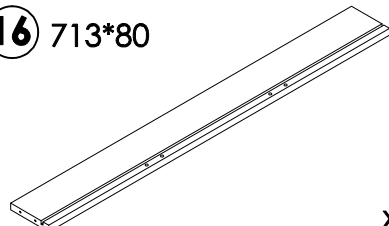
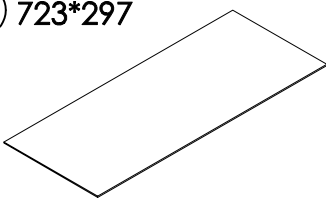
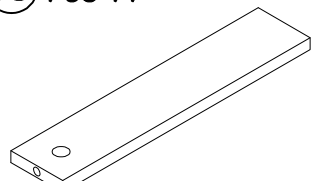
HARDWARE SUPPLIED

<p>A</p>  <p>Ø6X35mm 64PCS</p>	<p>B</p>  <p>Ø15X9.8mm 64PCS</p>	<p>C</p>  <p>Ø8X30mm 44PCS</p>	<p>D</p>  <p>Ø4X40mm 41PCS</p>	<p>E</p>  <p>(CL1) x3 (DL1) x3 (DR1) x3 (CR1) x3</p> <p>12inch/300mm 3SET</p>
<p>F</p>  <p>F2 x2 F1 x2</p> <p>12inch/300mm 1SET</p>	<p>G</p>  <p>4PCS</p>	<p>H</p>  <p>Hx2 Hx2 H1x2 Hx2 H2x2 Hx2</p> <p>2SET</p>	<p>I</p>  <p>Ø3.5X14mm 105PCS</p>	<p>J</p>  <p>6PCS</p>
<p>K</p>  <p>Ø4X16mm 12PCS</p>	<p>L</p>  <p>4PCS</p>	<p>M</p>  <p>1PC</p>	<p>N</p>  <p>42PCS</p>	<p>O</p>  <p>Ø3X16mm 42PCS</p>
<p>P</p>  <p>1PC</p>				



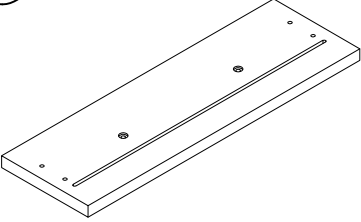
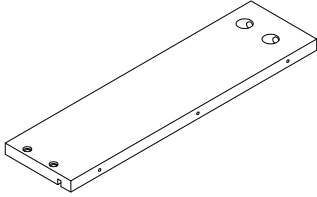
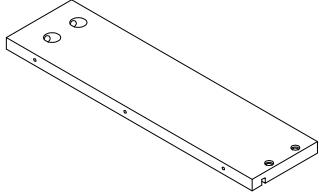
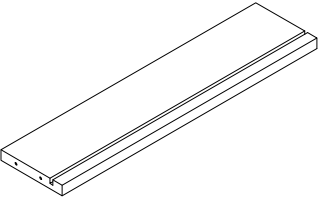
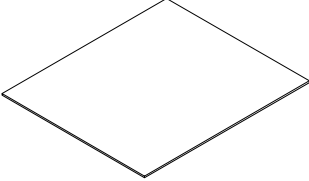
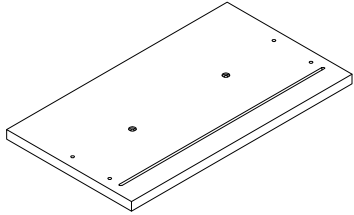
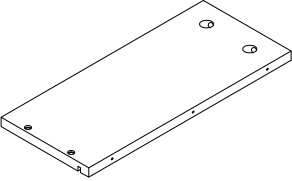
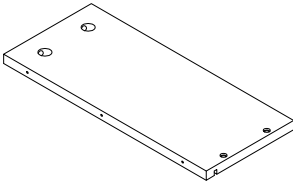
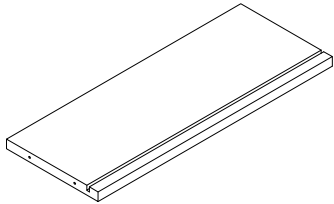
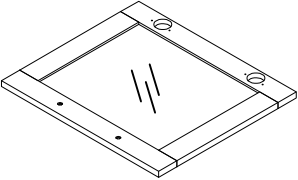
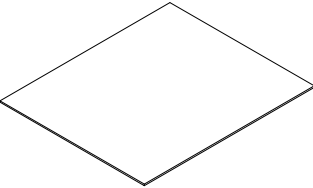
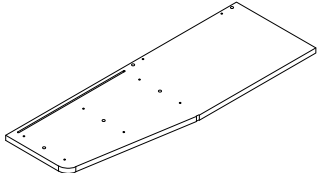
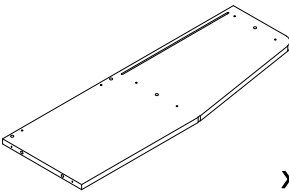
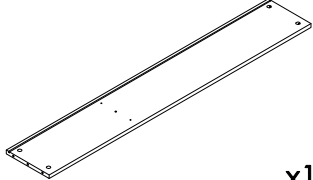
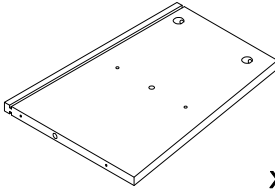
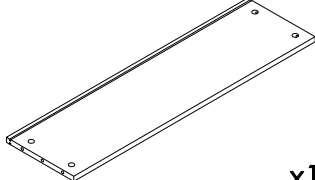
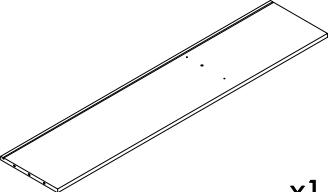
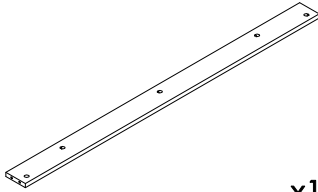
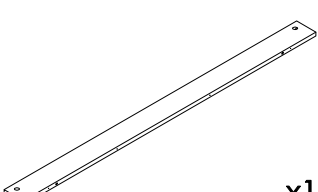
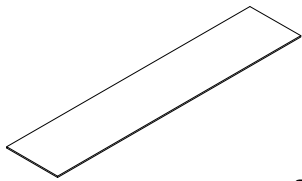
Unit: (mm)

PARTS LIST

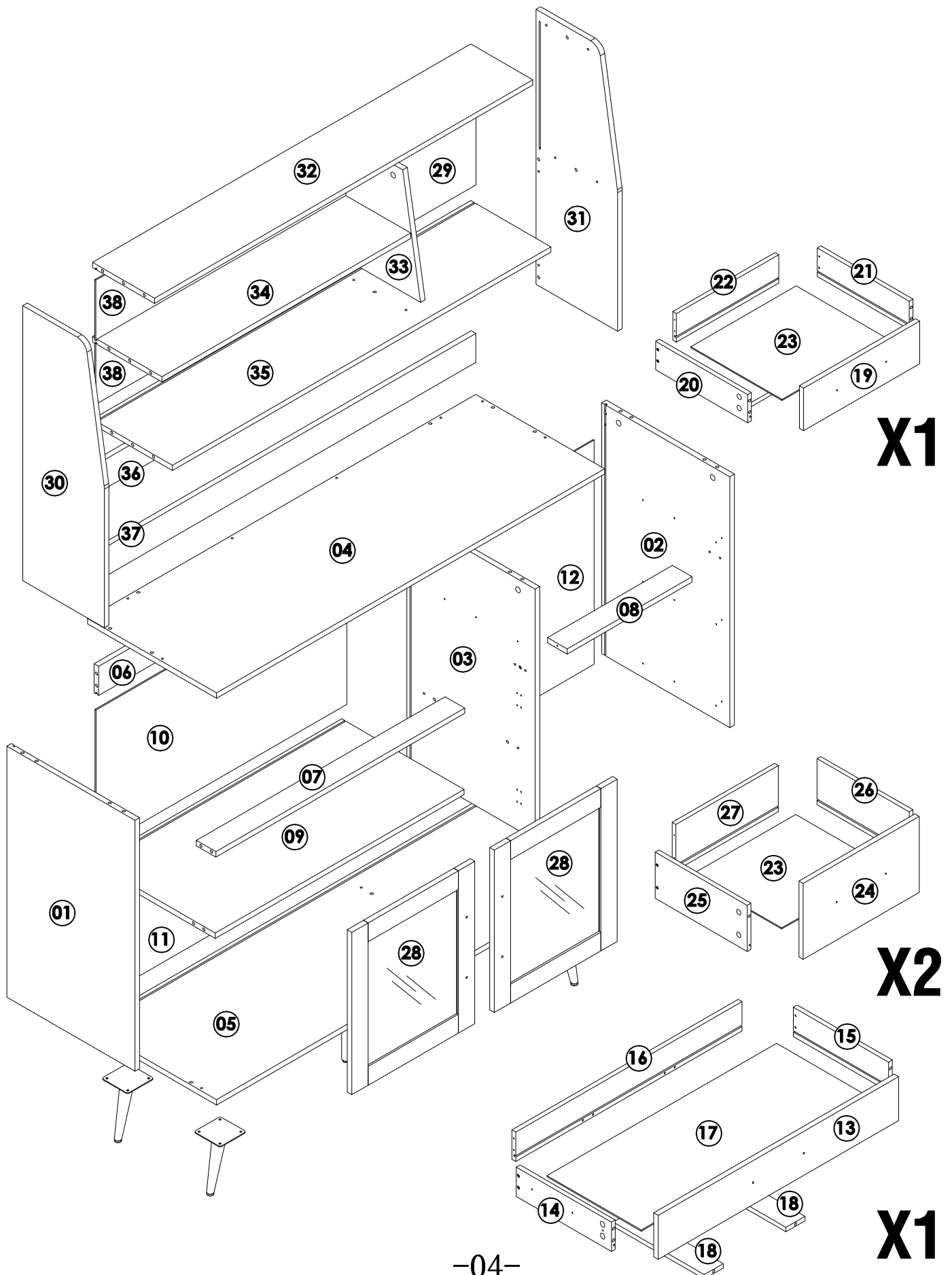
<p>01 666*393</p>  <p>x1</p>	<p>02 666*393</p>  <p>x1</p>	<p>03 666*393</p>  <p>x1</p>
<p>04 1190*395</p>  <p>x1</p>	<p>05 1190*395</p>  <p>x1</p>	<p>06 1160*80</p>  <p>x1</p>
<p>07 763*60</p>  <p>x1</p>	<p>08 383*60</p>  <p>x1</p>	<p>09 763*375</p>  <p>x1</p>
<p>10 769*366.5</p>  <p>x1</p>	<p>11 769*217.5</p>  <p>x1</p>	<p>12 592*389</p>  <p>x1</p>
<p>13 758*120</p>  <p>x1</p>	<p>14 300*80</p>  <p>x1</p>	<p>15 300*80</p>  <p>x1</p>
<p>16 713*80</p>  <p>x1</p>	<p>17 723*297</p>  <p>x1</p>	<p>18 758*77</p>  <p>x2</p>

Unit: (mm)

PARTS LIST

19 378*120  x1	20 300*80  x1	21 300*80  x1	
22 333*80  x1	23 343*297  x3	24 378*214  x2	
25 300*130  x2	26 300*130  x2	27 333*130  x2	
28 431*377  x2	29 389*330  x1	30 730*250  x1	
31 730*250  x1	32 1160*190  x1	33 324*243  x1	34 763*213  x1
35 1160*245  x1	36 1160*80  x1	37 1160*80  x1	38 769*161  x2

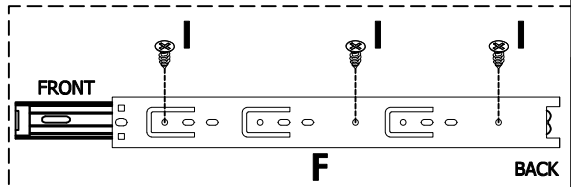
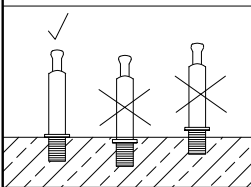
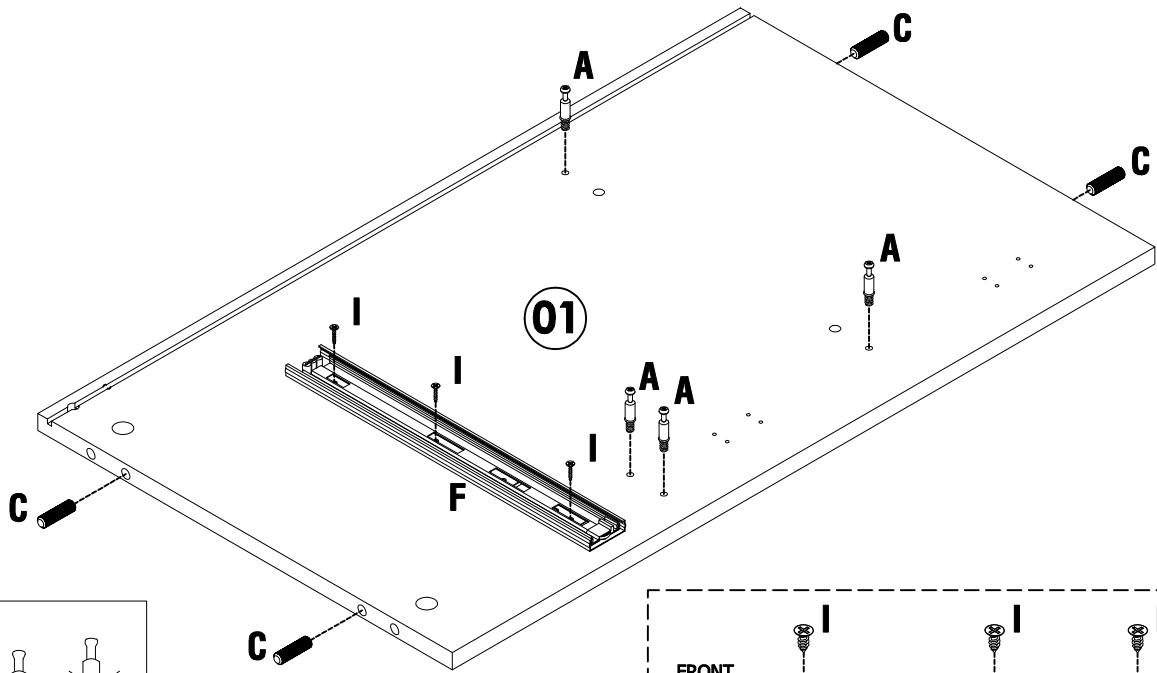
PANEL LAYOUT



Step 01

YOU WILL NEED

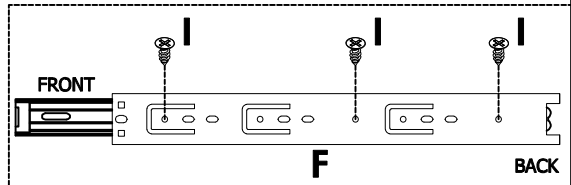
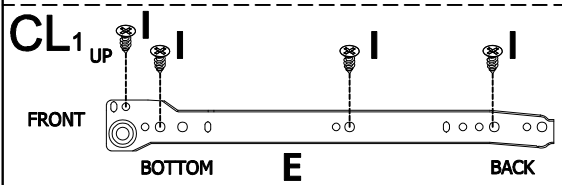
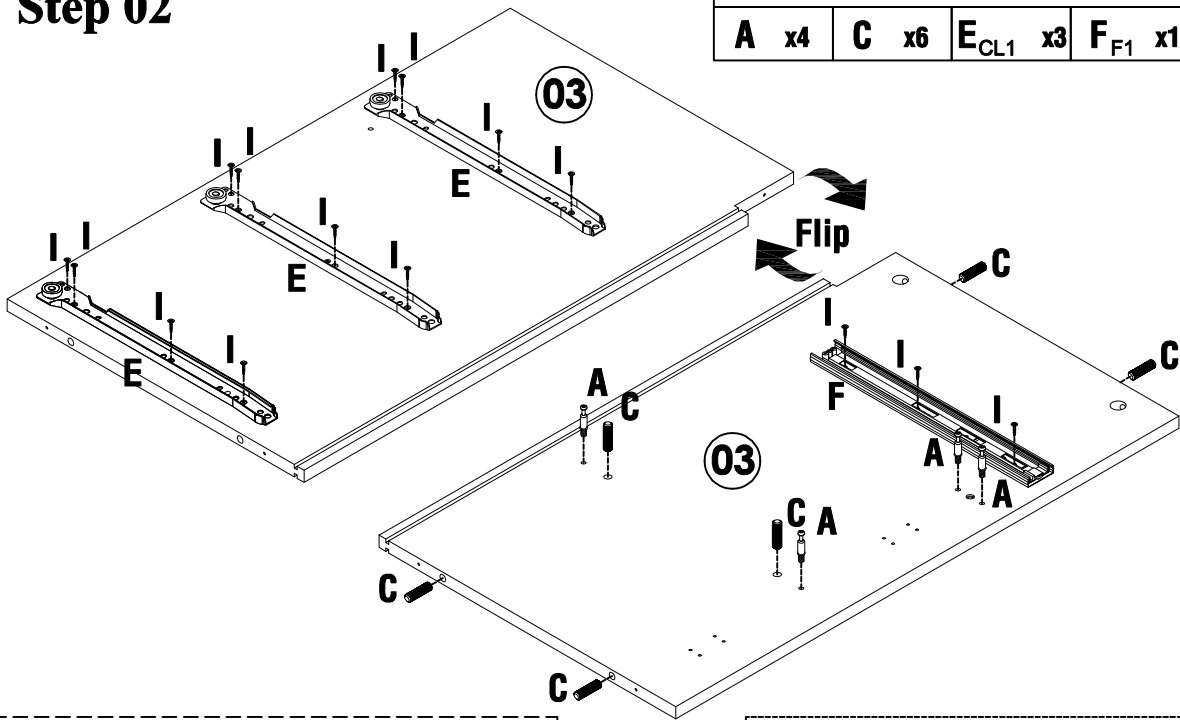
A	x4	C	x4	F	x1	I	x3
----------	----	----------	----	----------	----	----------	----



Step 02

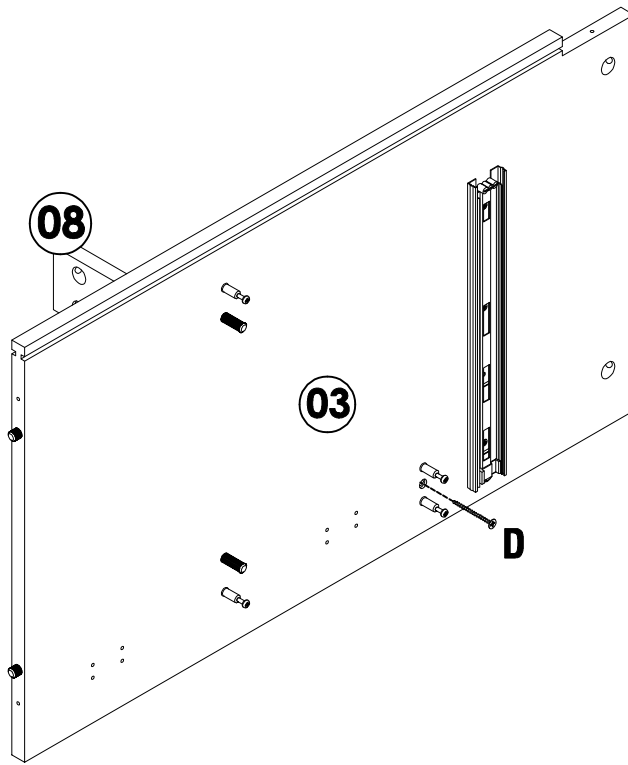
YOU WILL NEED

A	x4	C	x6	E_{CL1}	x3	F_{F1}	x1	I	x15
----------	----	----------	----	------------------------	----	-----------------------	----	----------	-----



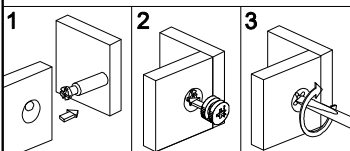
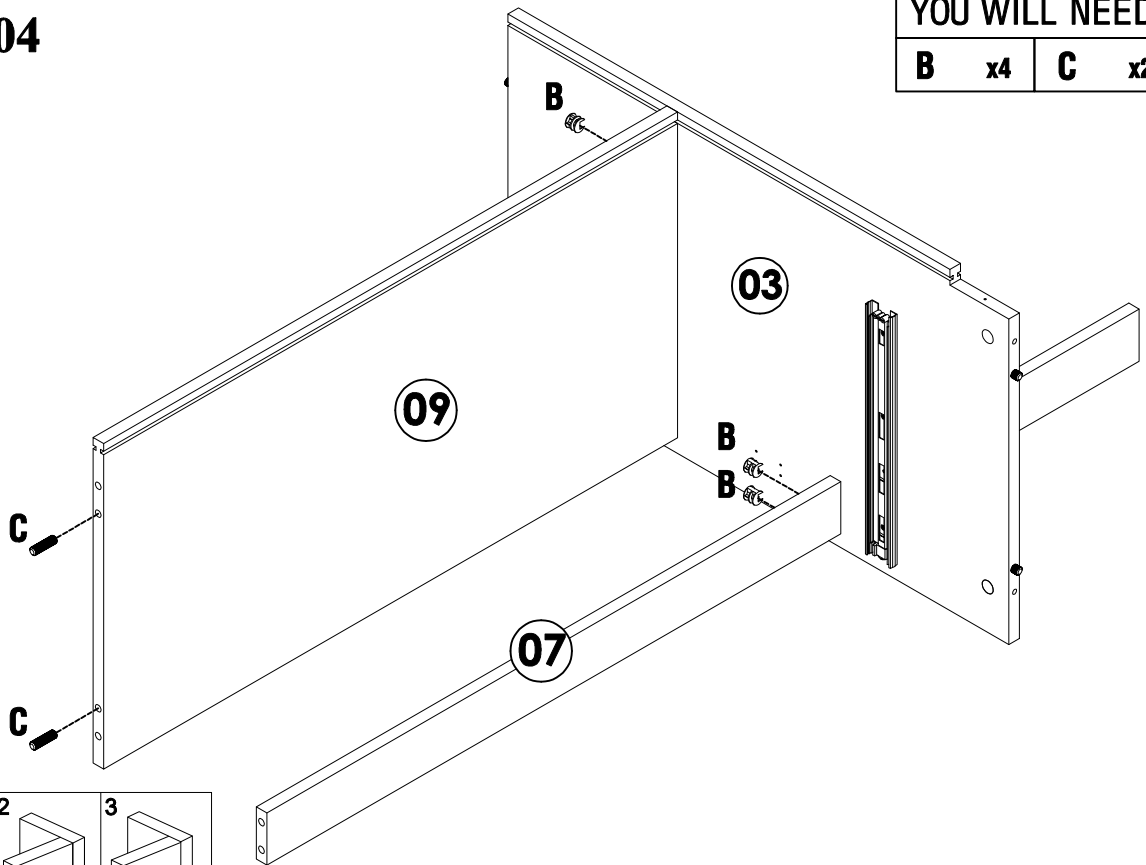
Step 03

YOU WILL NEED		
D	x1	



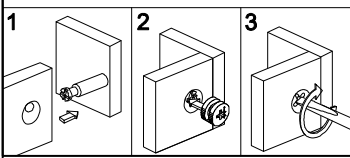
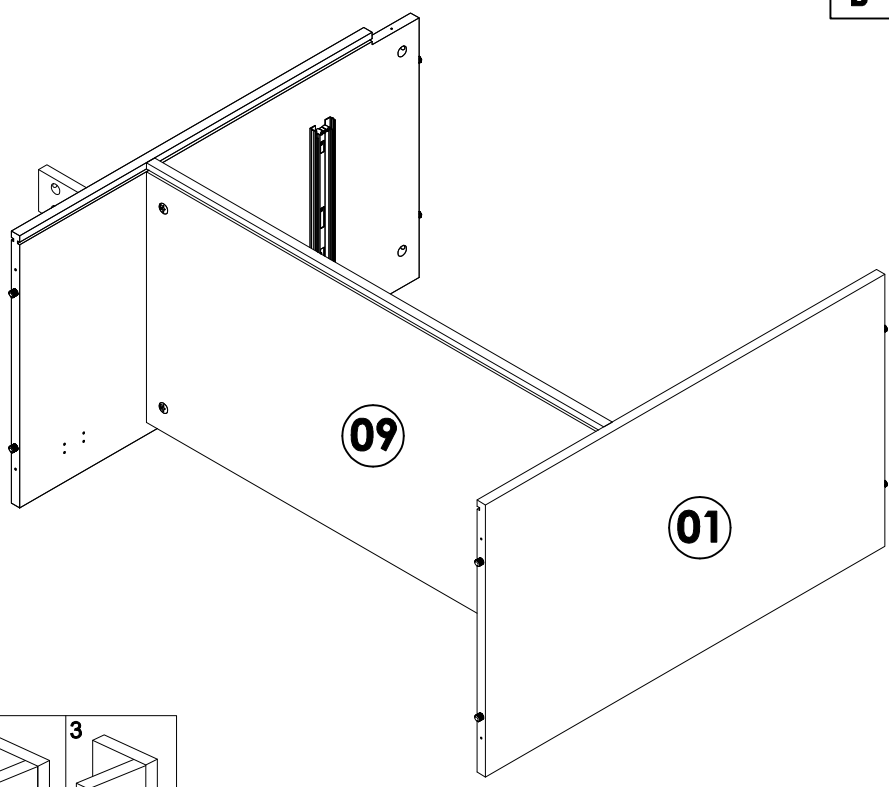
Step 04

YOU WILL NEED		
B	x4	C x2

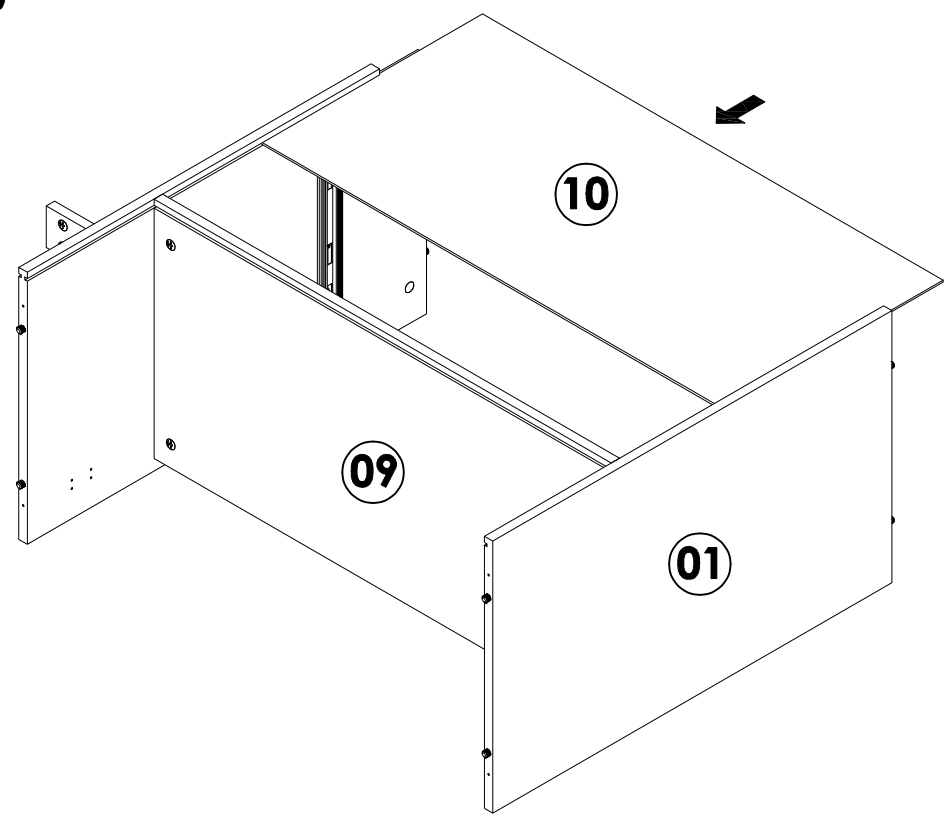


Step 05

YOU WILL NEED		
B	x4	



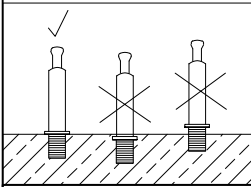
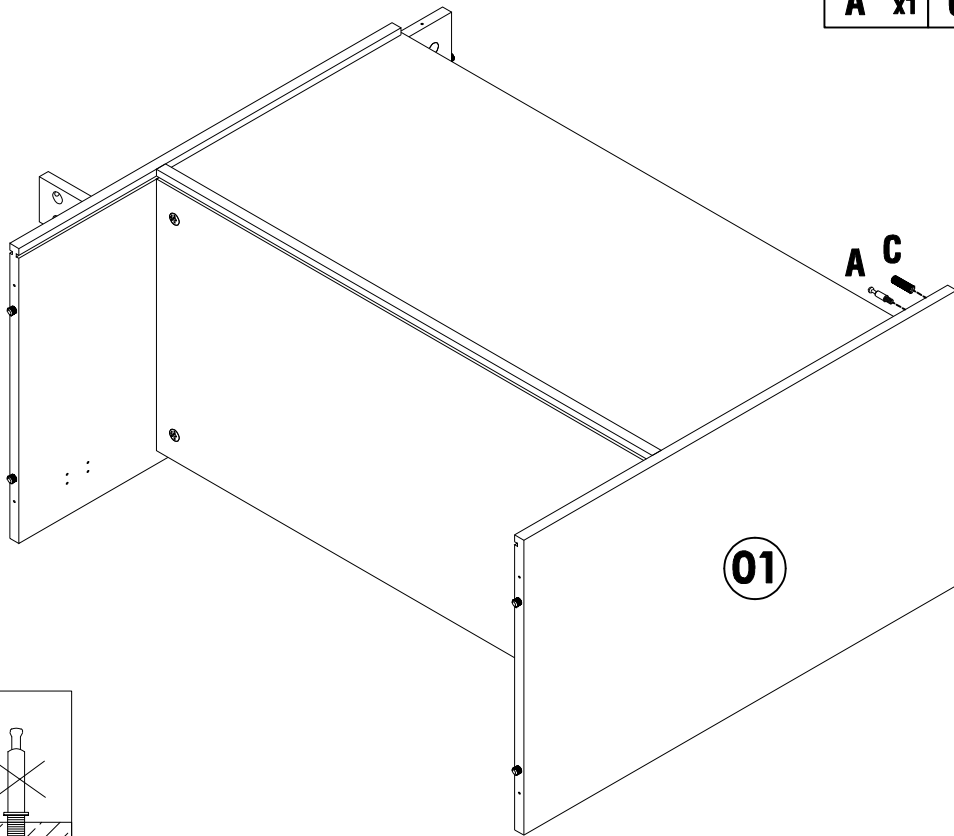
Step 06



Step 07

YOU WILL NEED

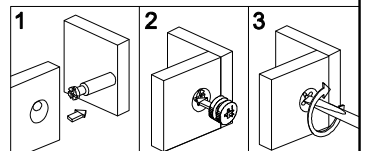
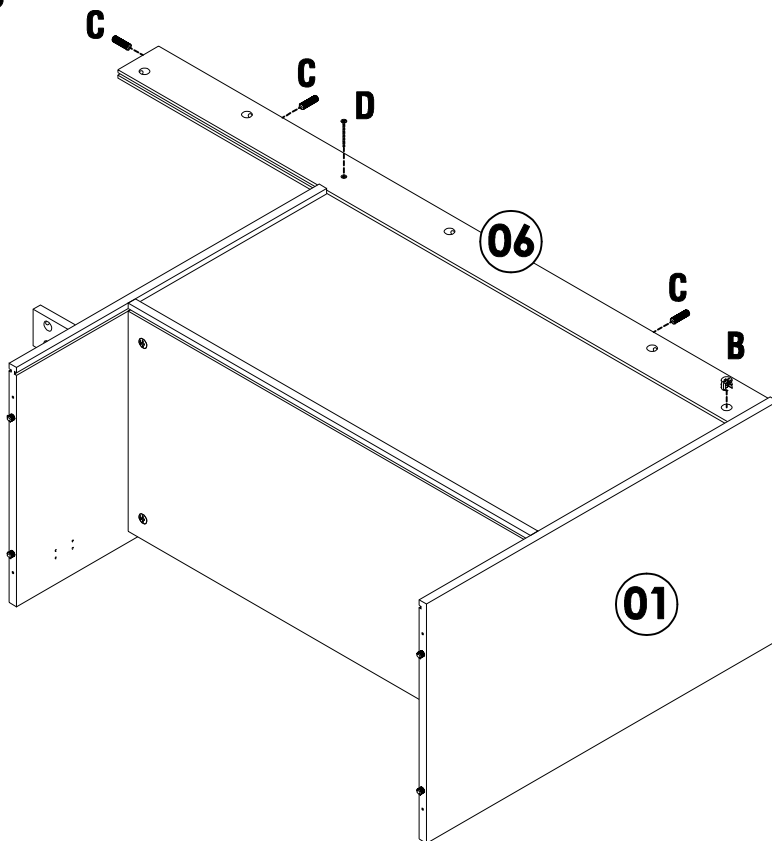
A	x1	C	x1
----------	----	----------	----



Step 08

YOU WILL NEED

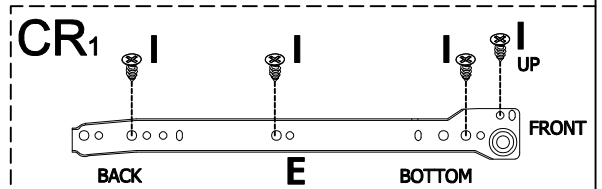
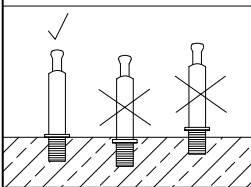
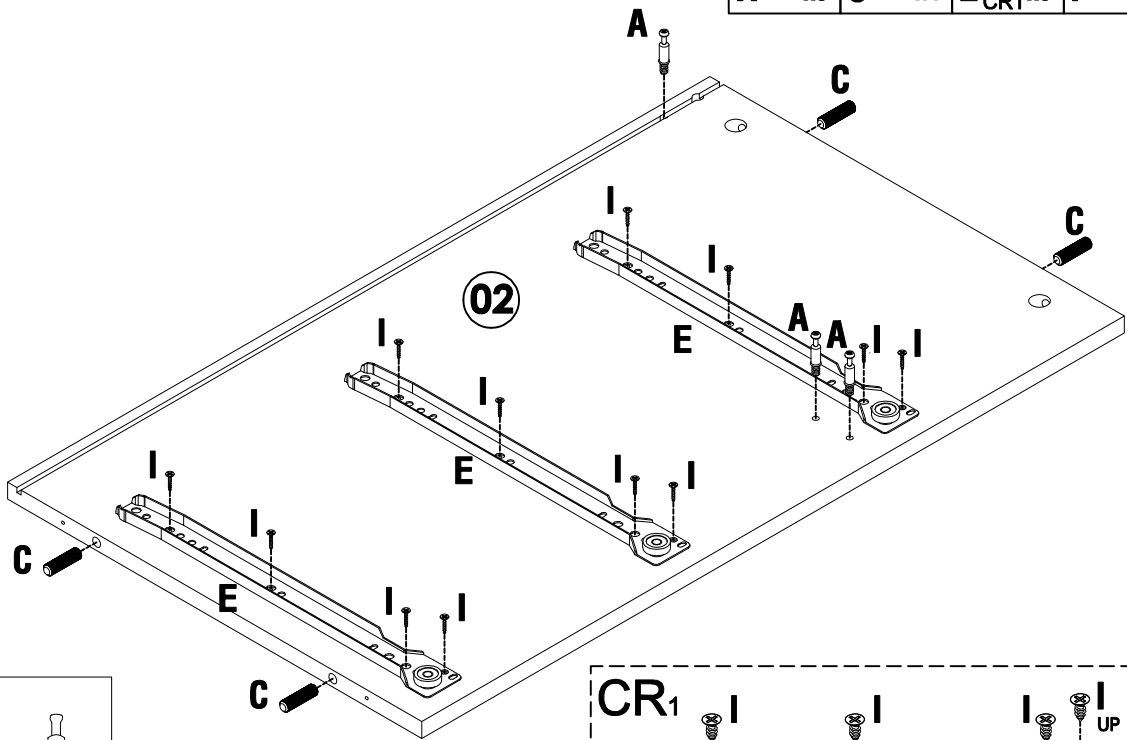
B	x1	C	x3	D	x1
----------	----	----------	----	----------	----



Step 09

YOU WILL NEED

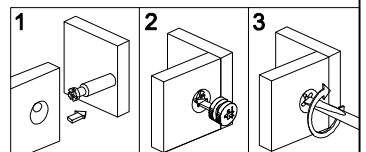
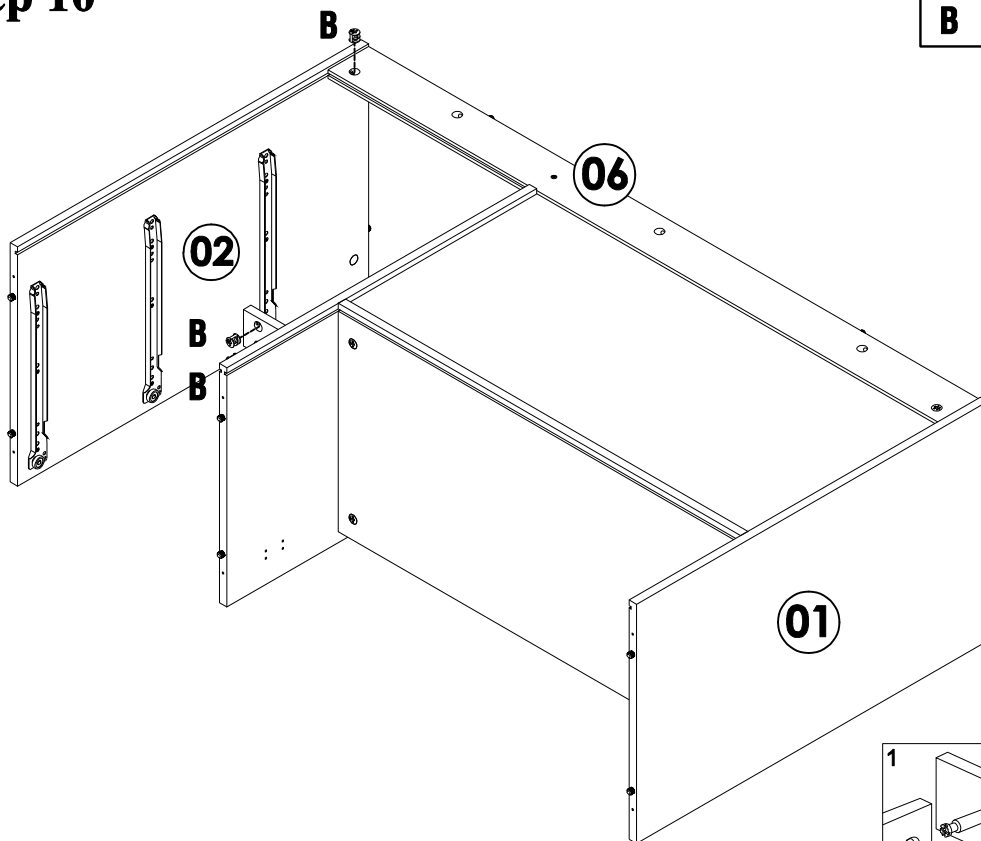
A	x3	C	x4	E_{CR1}	x3	I	x12
----------	----	----------	----	------------------------	----	----------	-----



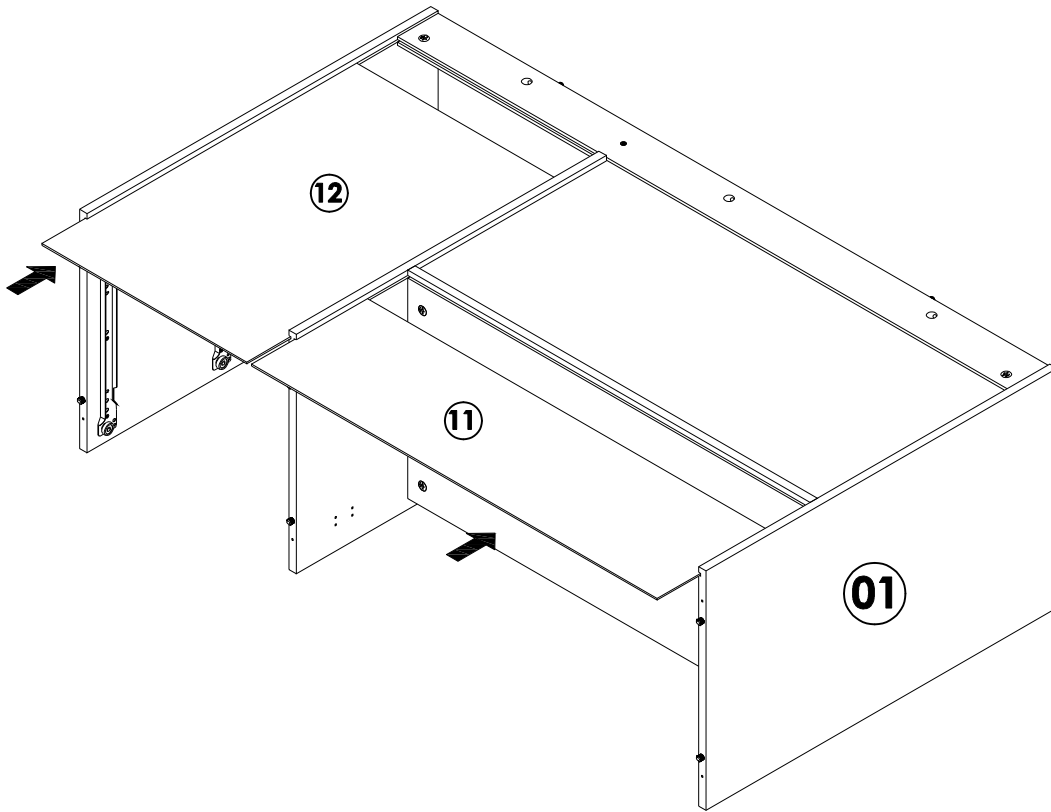
Step 10

YOU WILL NEED

B	x3		
----------	----	--	--



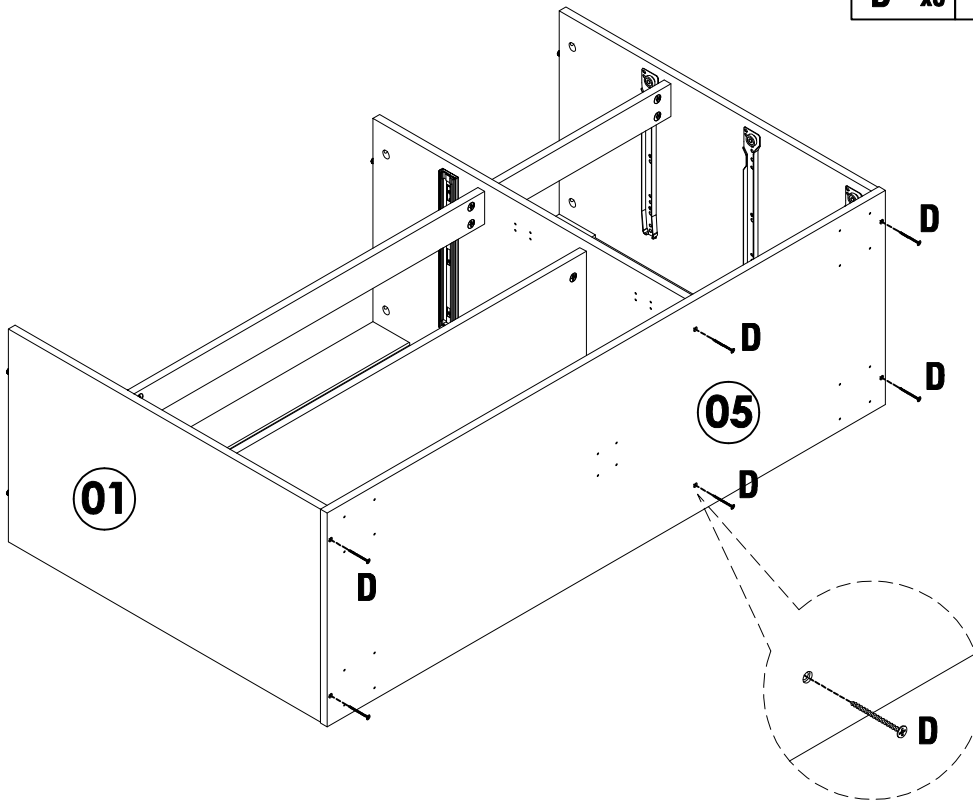
Step 11



Step 12

YOU WILL NEED

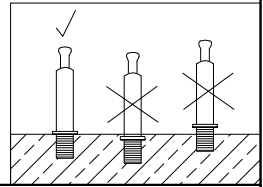
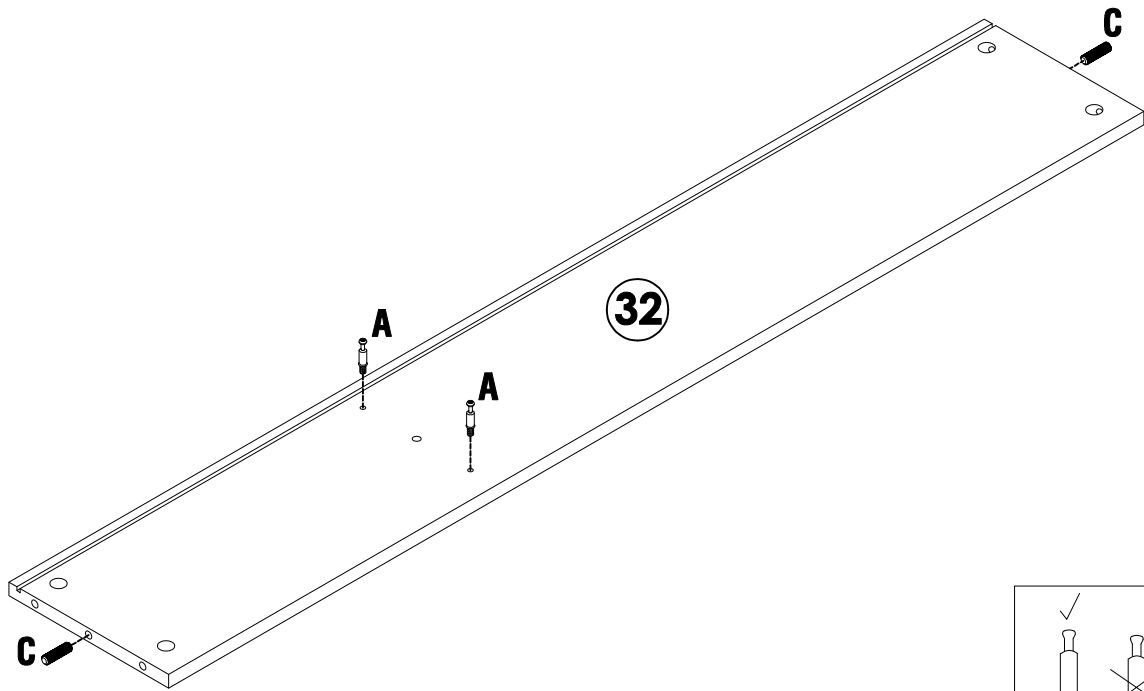
D x6



Step 15

YOU WILL NEED

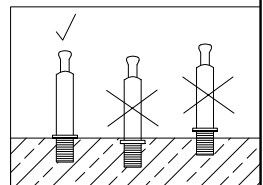
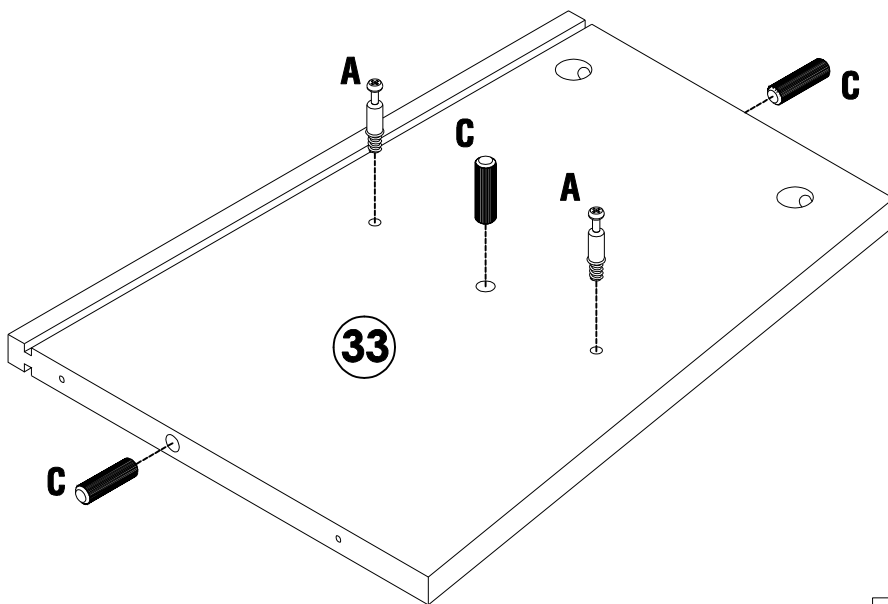
A	x2	C	x2
---	----	---	----



Step 16

YOU WILL NEED

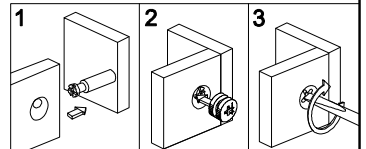
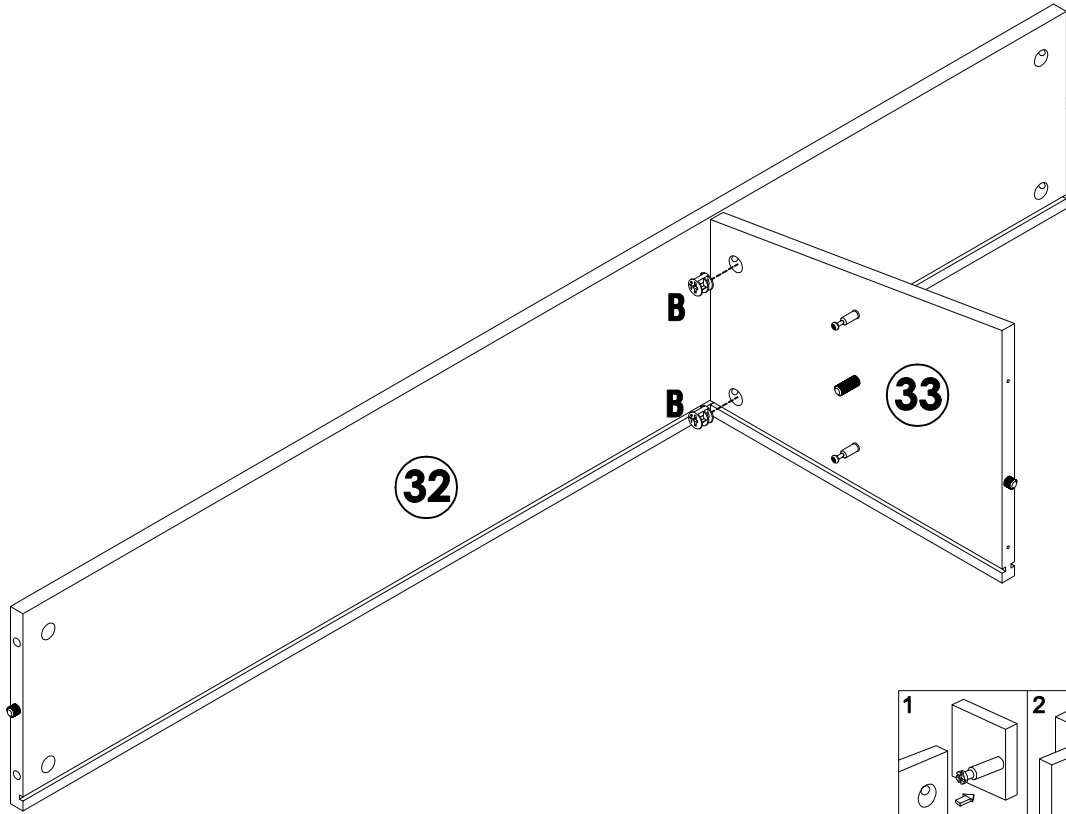
A	x2	C	x3
---	----	---	----



Step 17

YOU WILL NEED

B x2

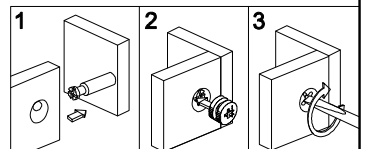
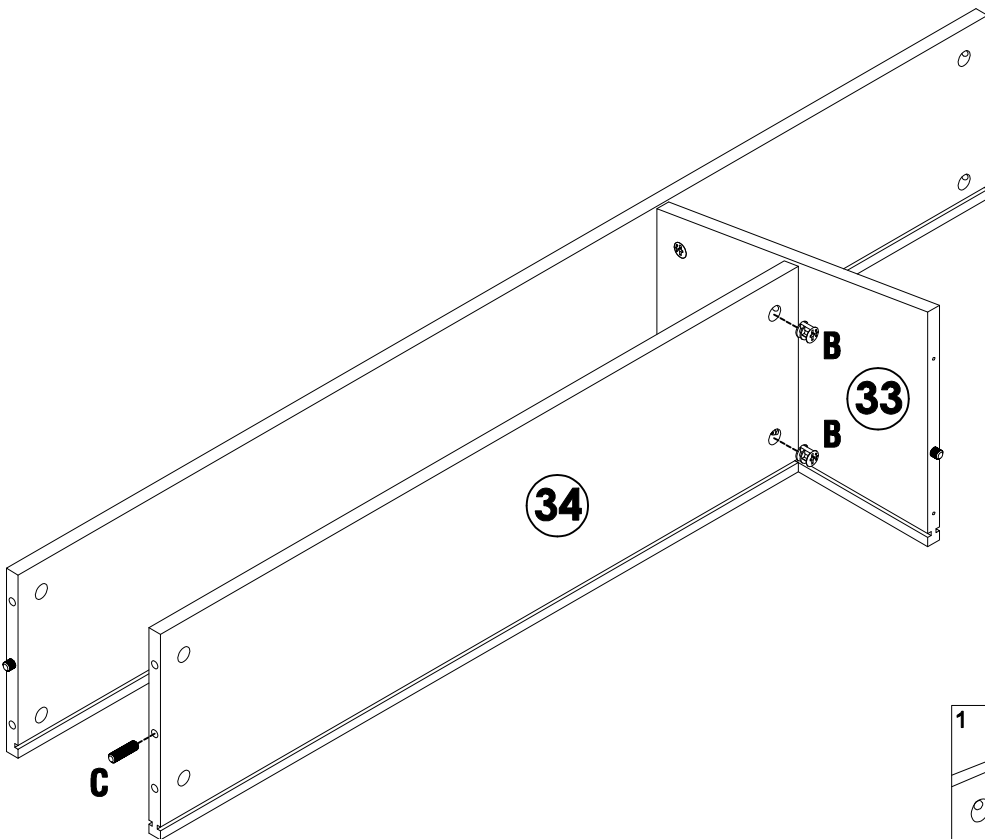


Step 18

YOU WILL NEED

B x2

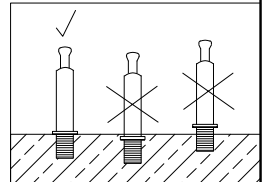
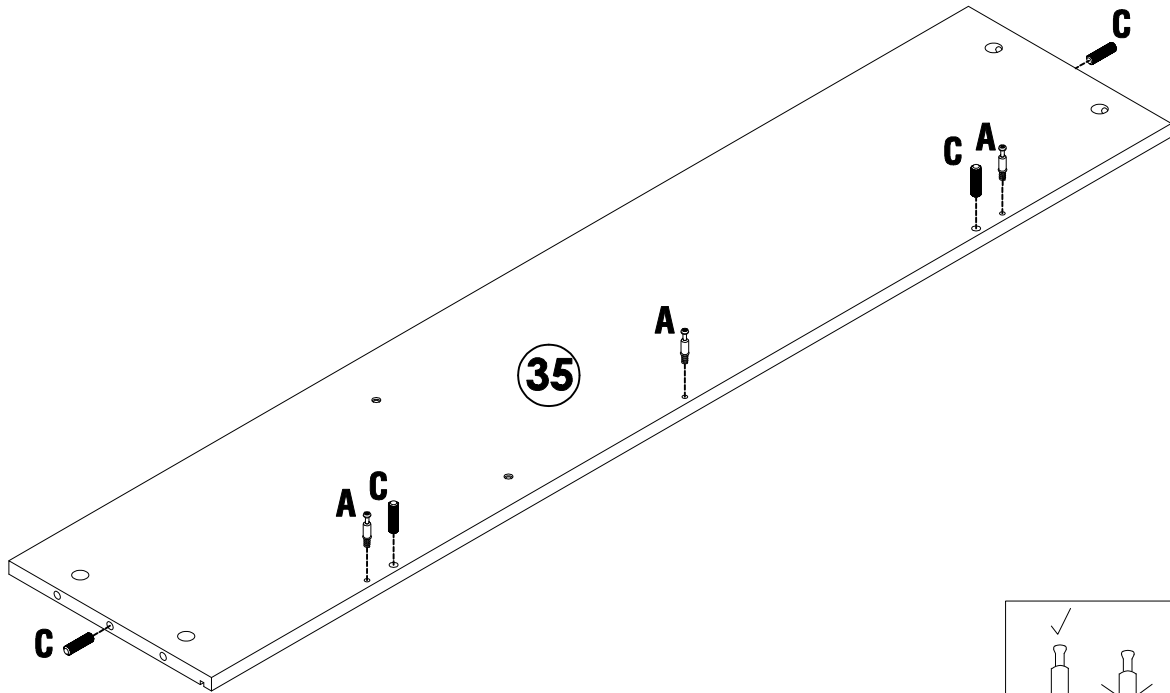
C x1



Step 19

YOU WILL NEED

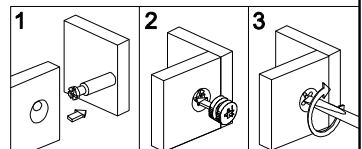
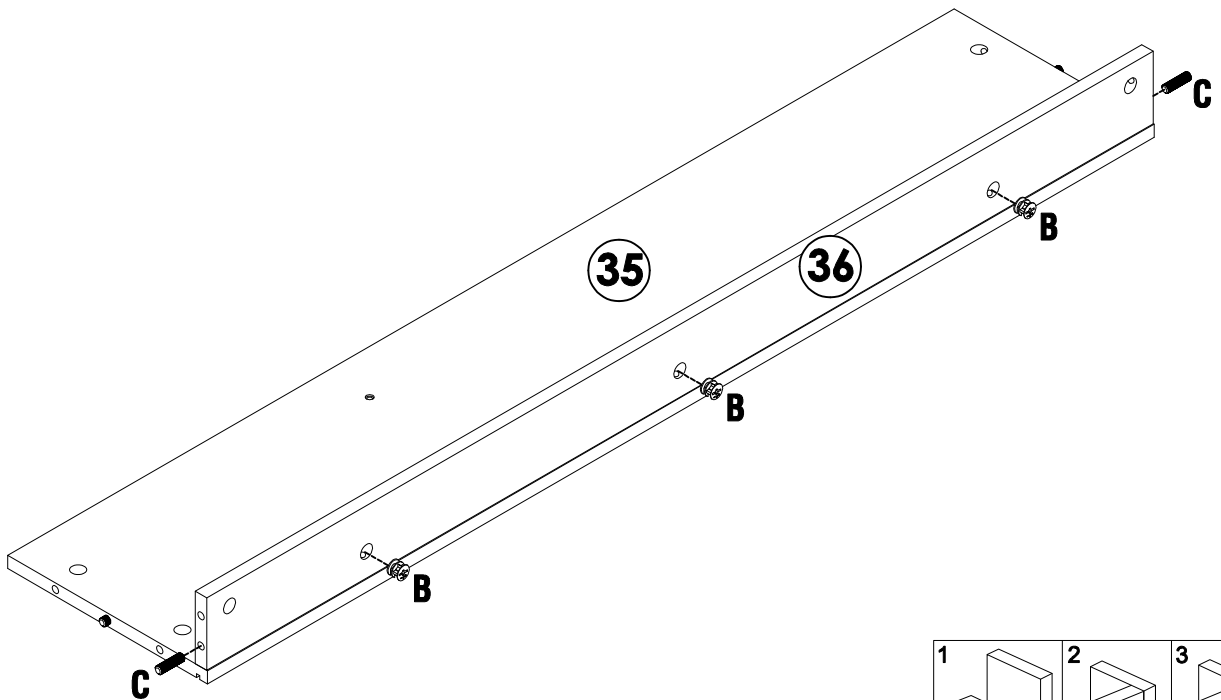
A x3 C x4



Step 20

YOU WILL NEED

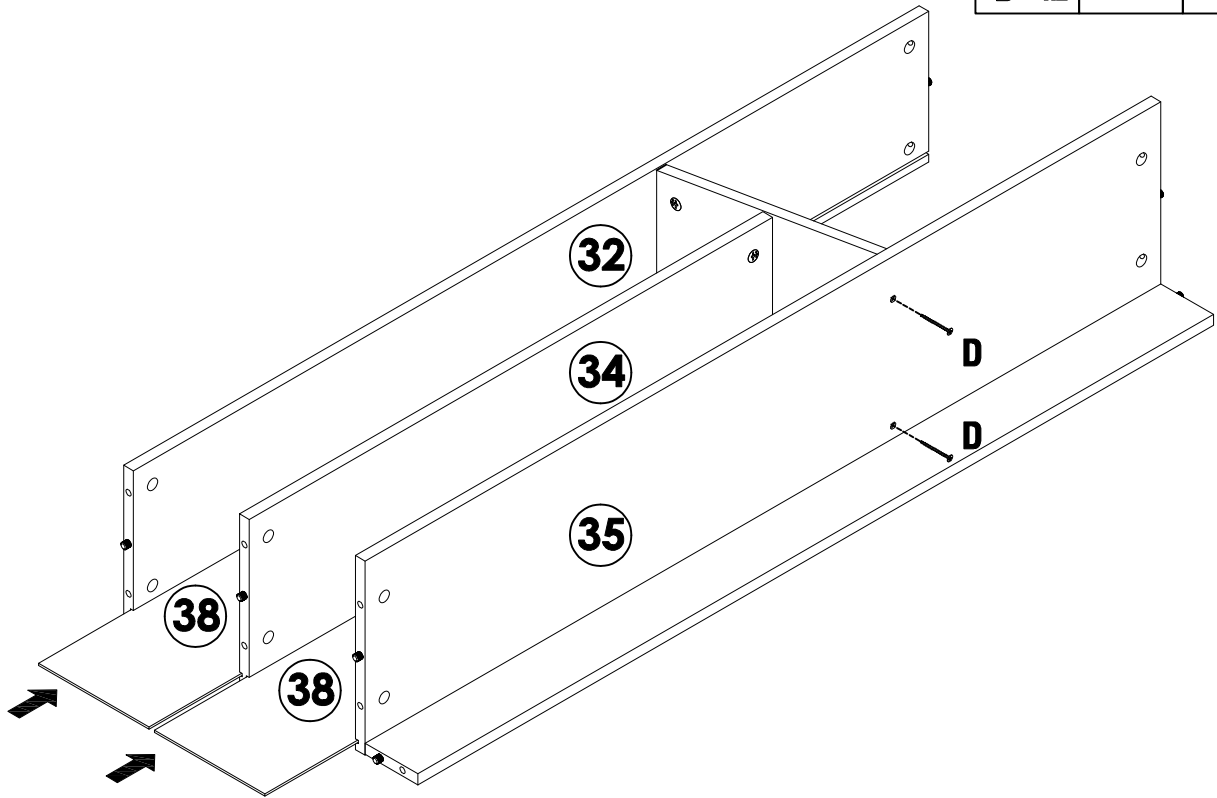
B x3 C x2



Step 21

YOU WILL NEED

D x2

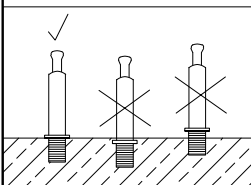
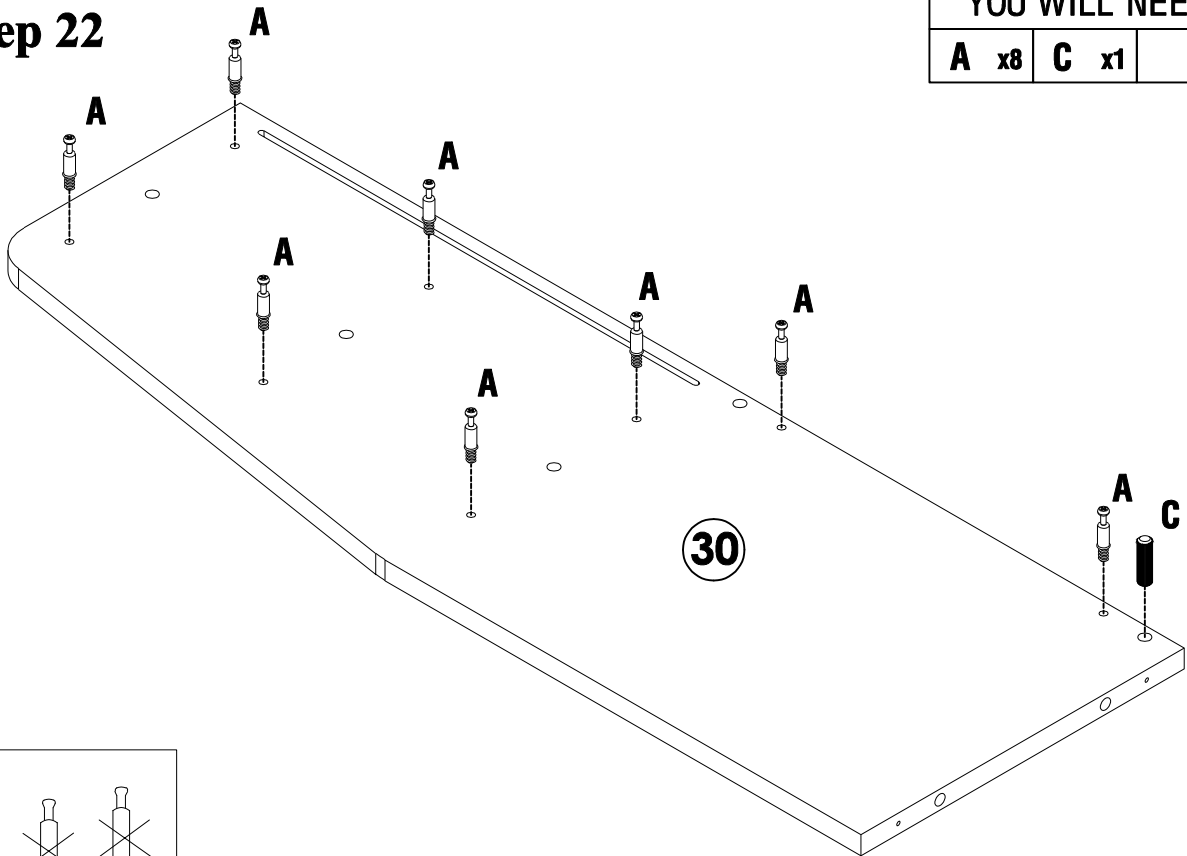


Step 22

YOU WILL NEED

A x8

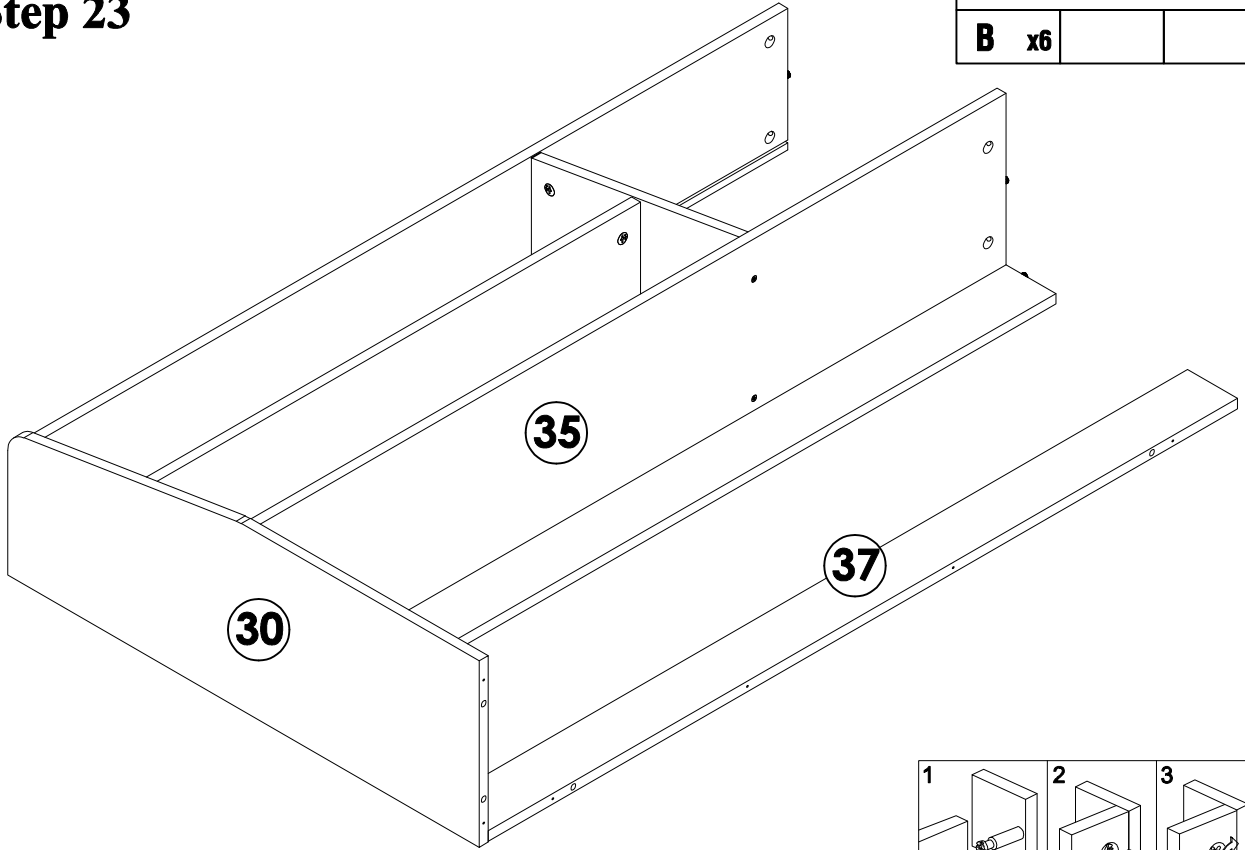
C x1



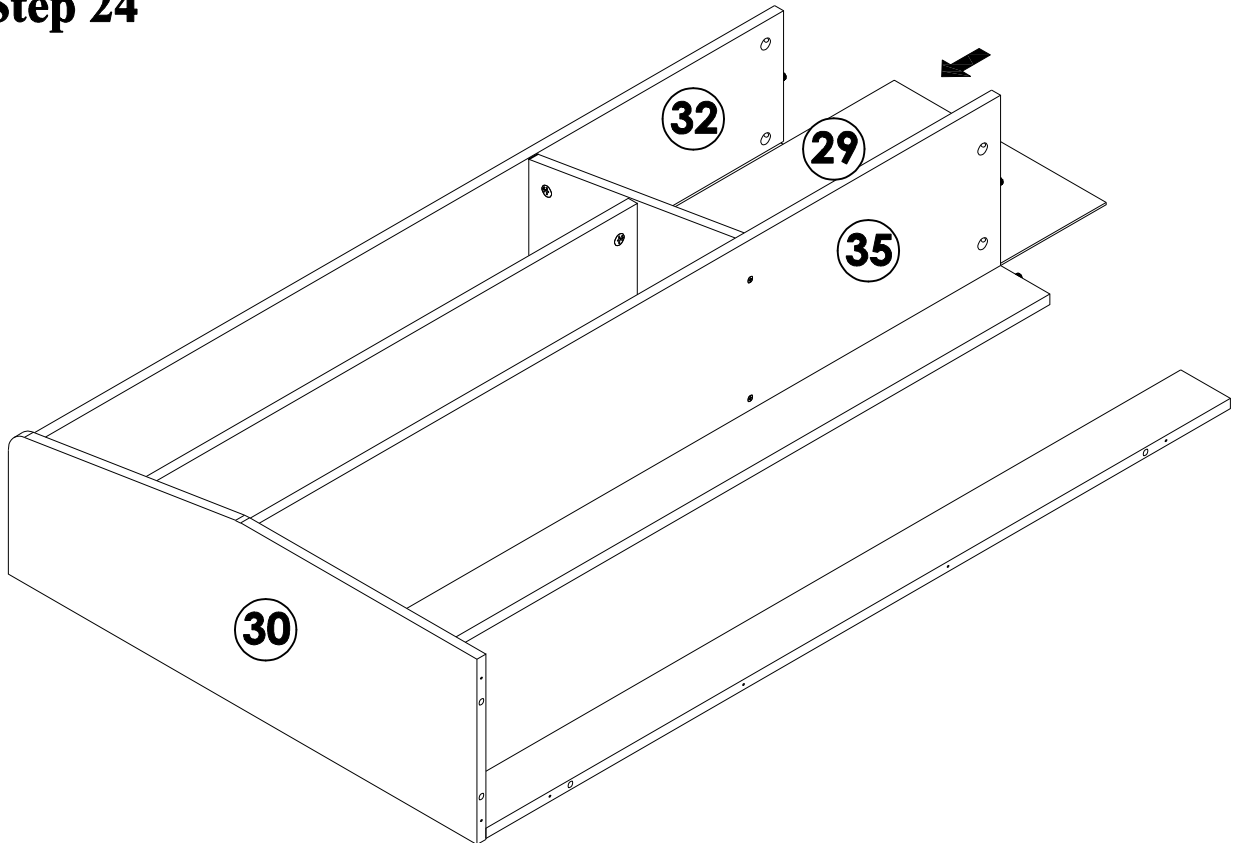
Step 23

YOU WILL NEED

B x6



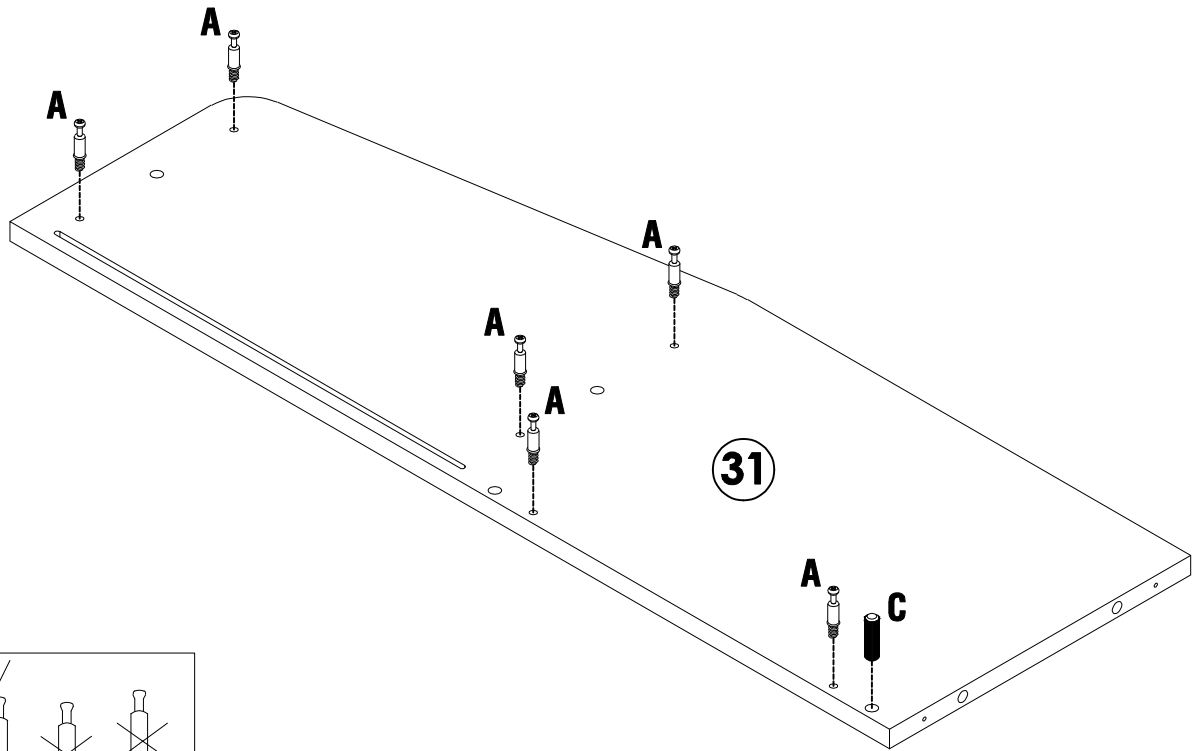
Step 24



Step 25

YOU WILL NEED

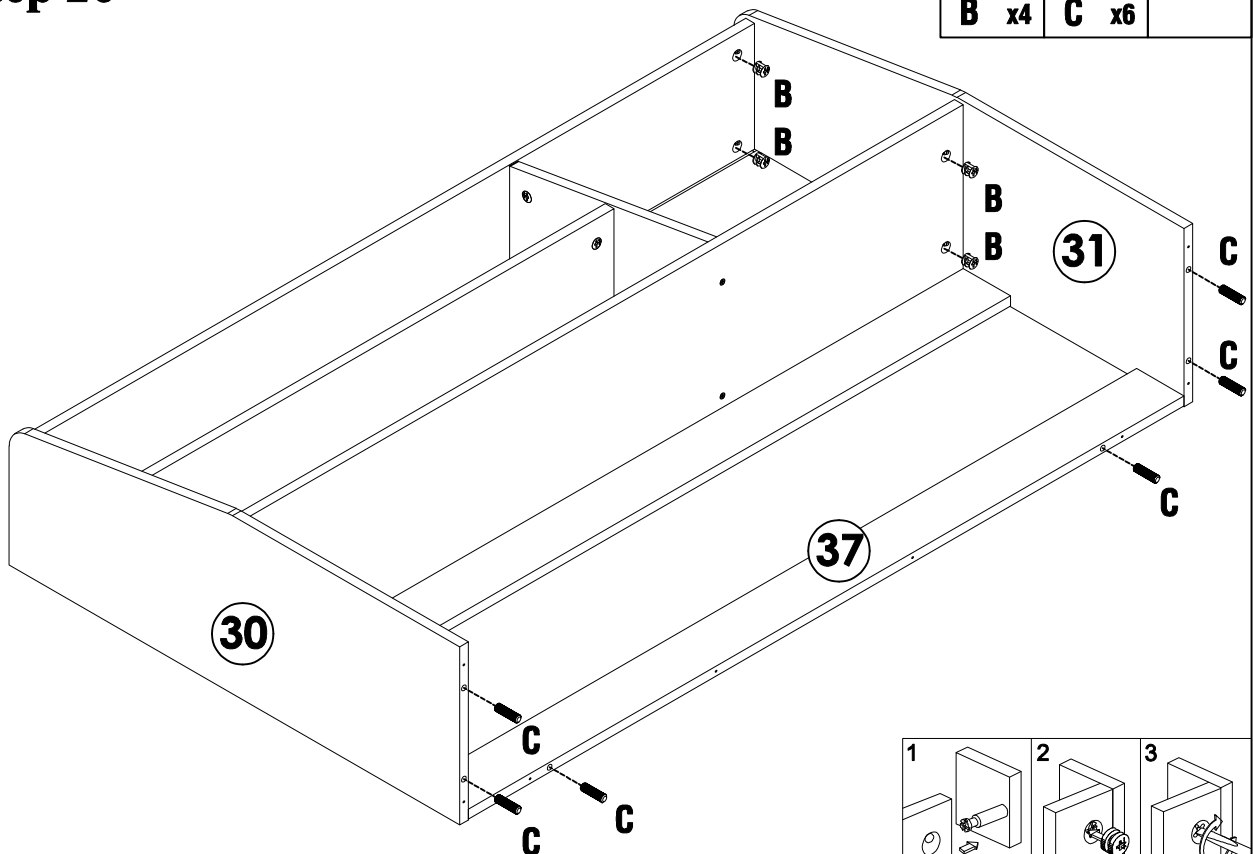
A x6	C x1
-------------	-------------



Step 26

YOU WILL NEED

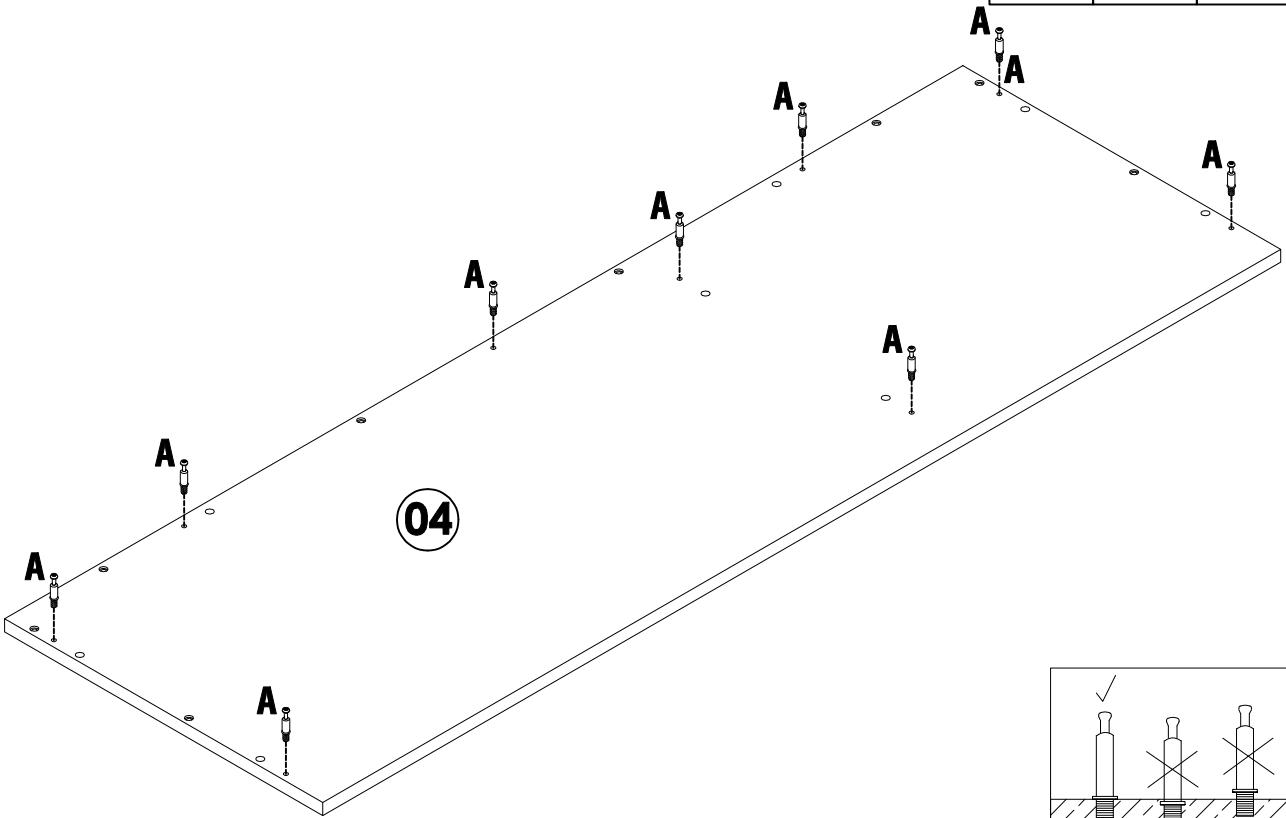
B x4	C x6
-------------	-------------



Step 27

YOU WILL NEED

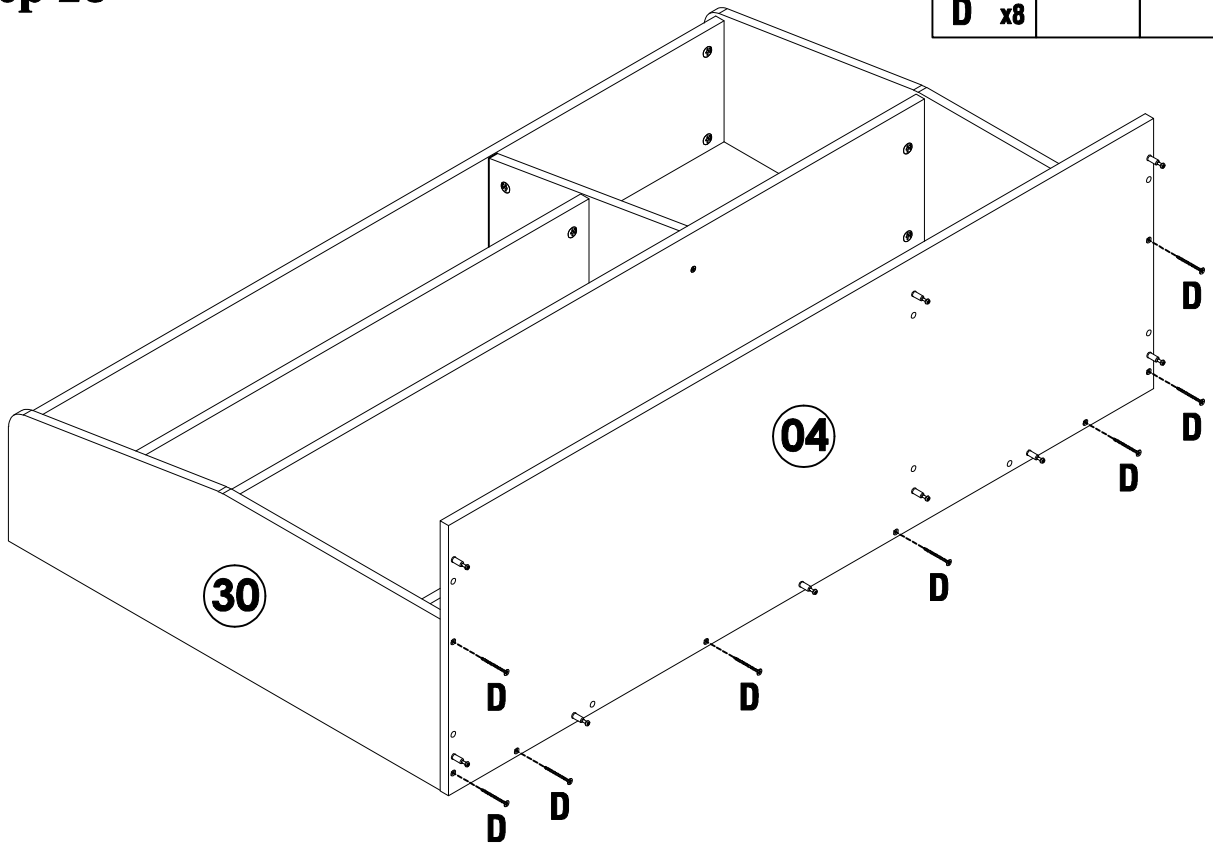
x9



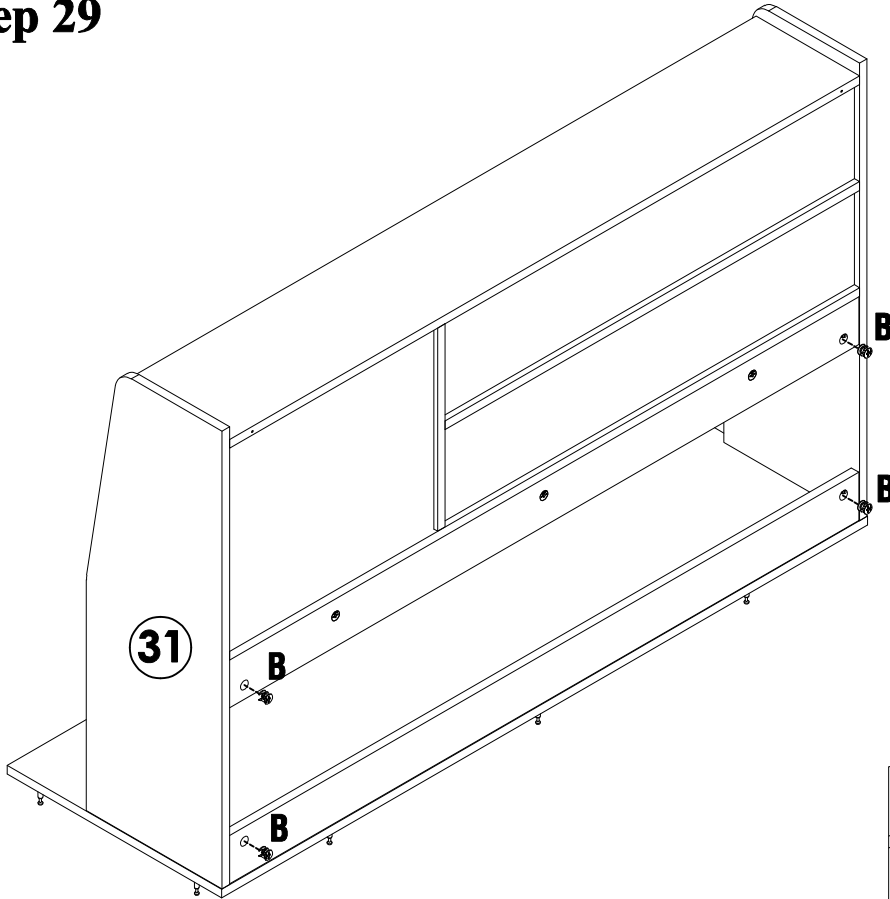
Step 28

YOU WILL NEED

D x8

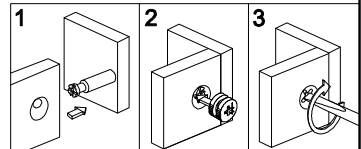


Step 29

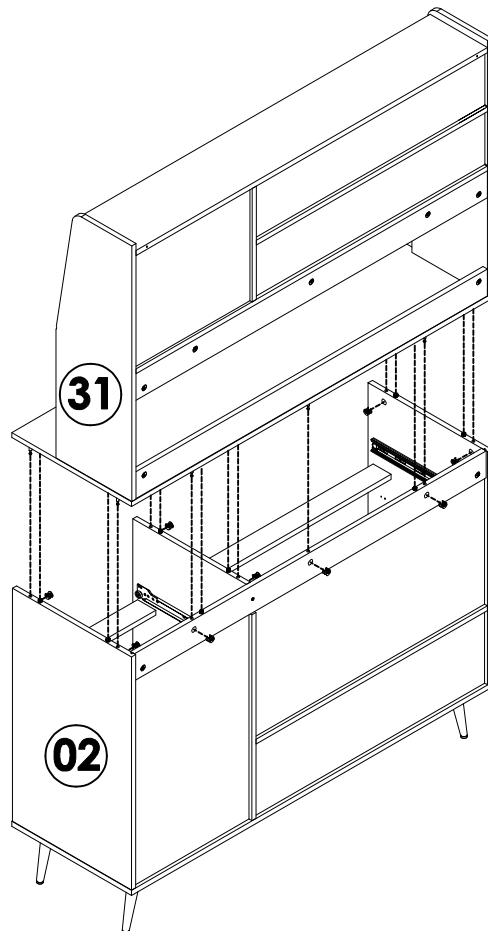


YOU WILL NEED

B x4

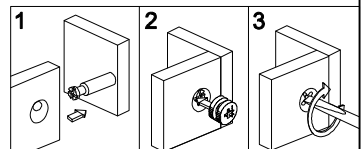


Step 30



YOU WILL NEED

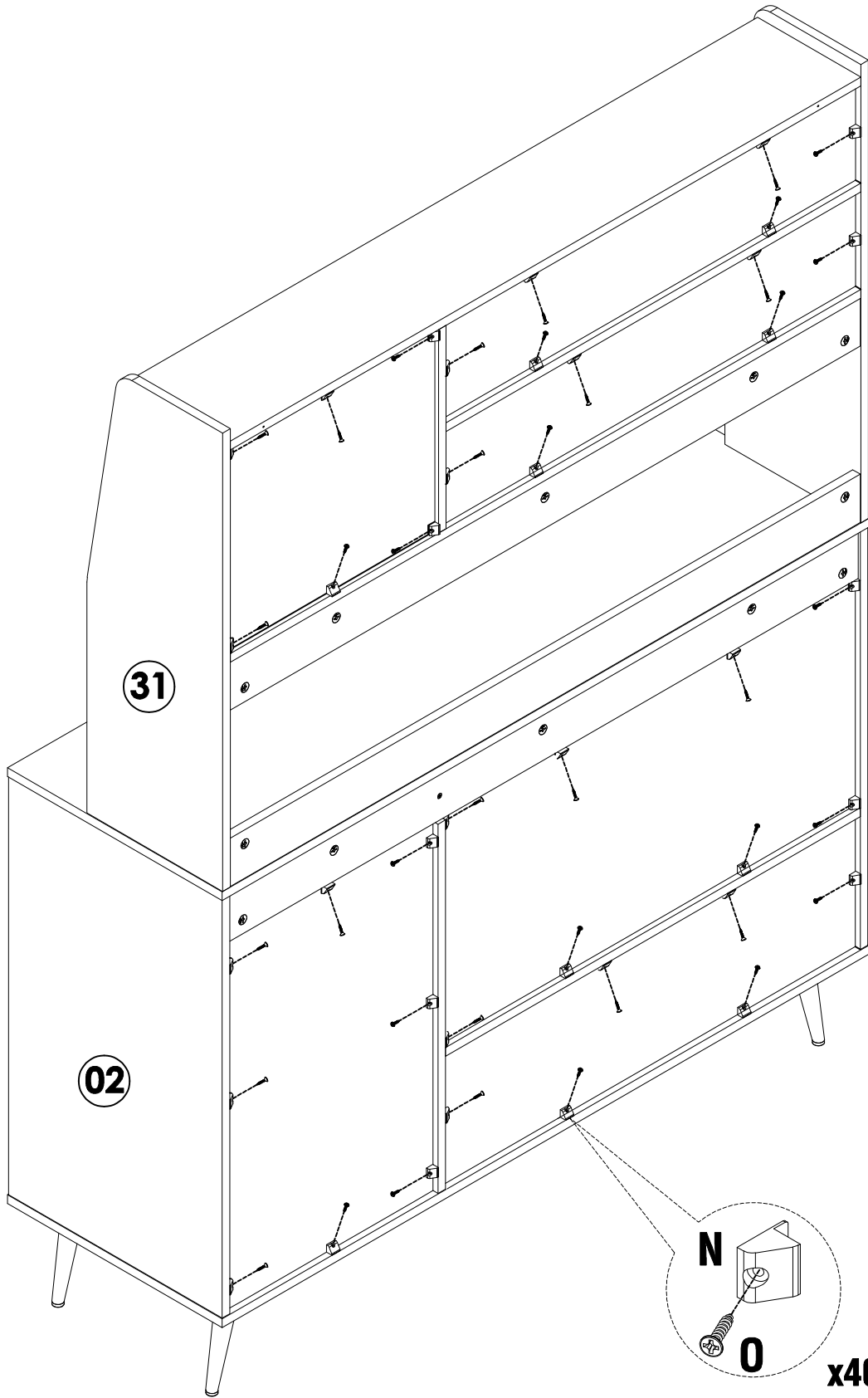
B x9



Step 31

YOU WILL NEED

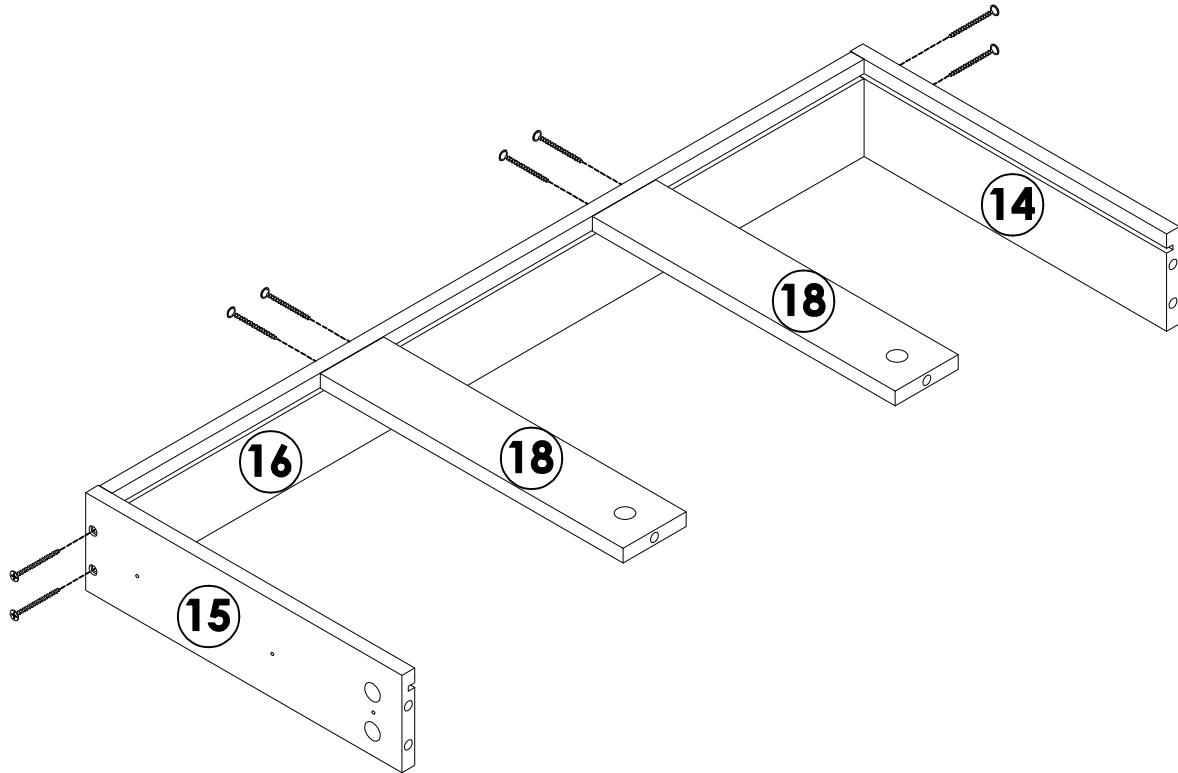
N x40 O x40



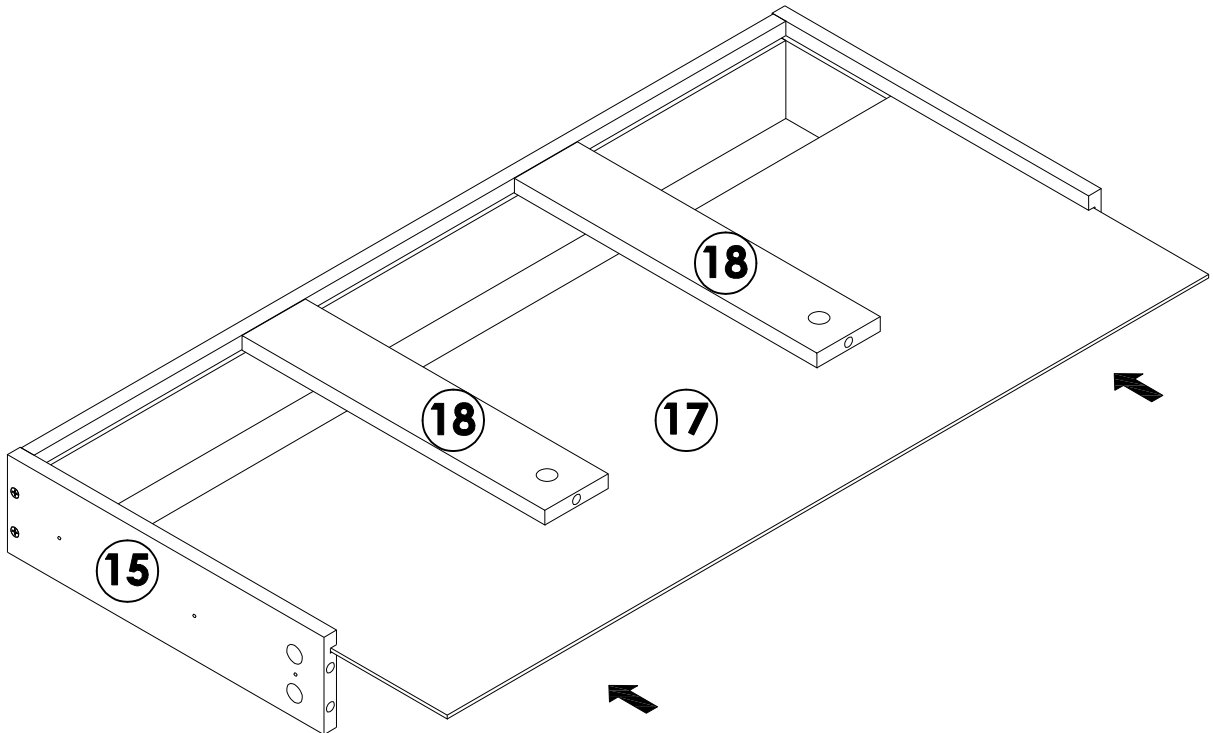
Step 32

YOU WILL NEED

D x8



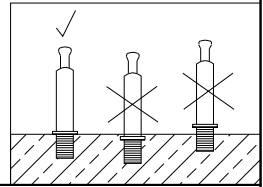
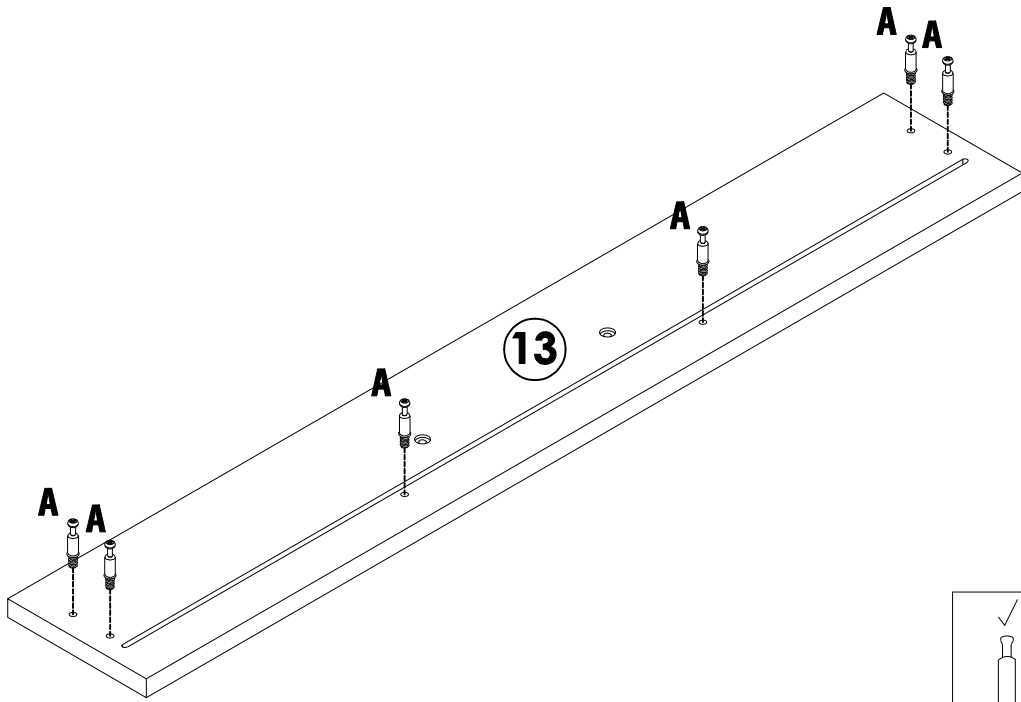
Step 33



Step 34

YOU WILL NEED

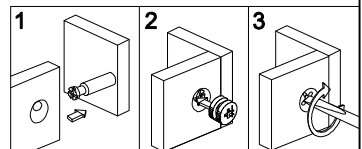
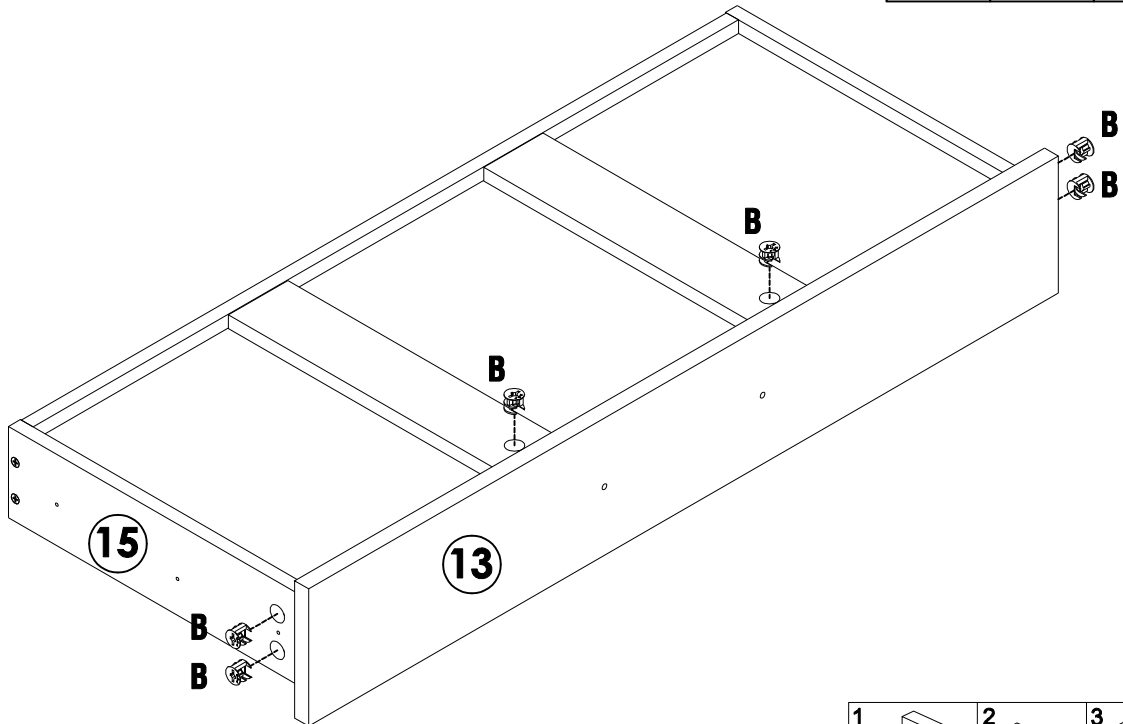
A x6



Step 35

YOU WILL NEED

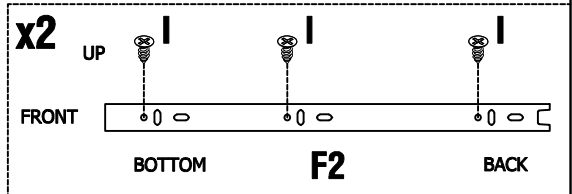
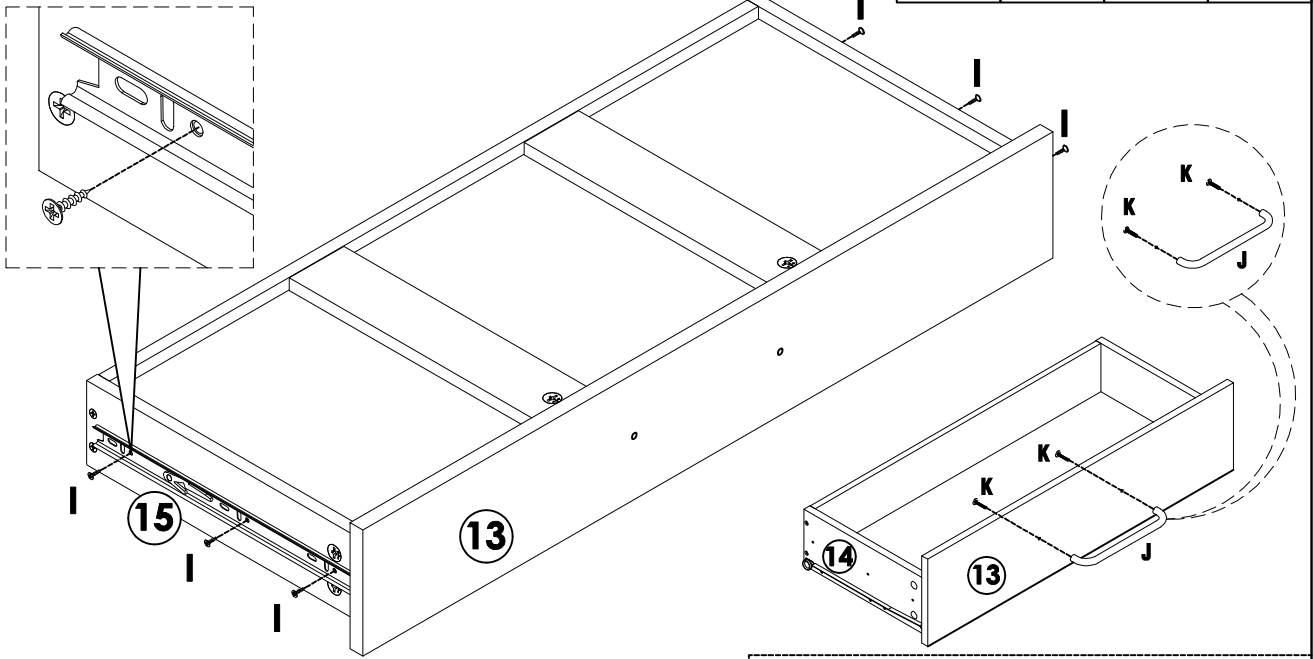
B x6



Step 36

YOU WILL NEED

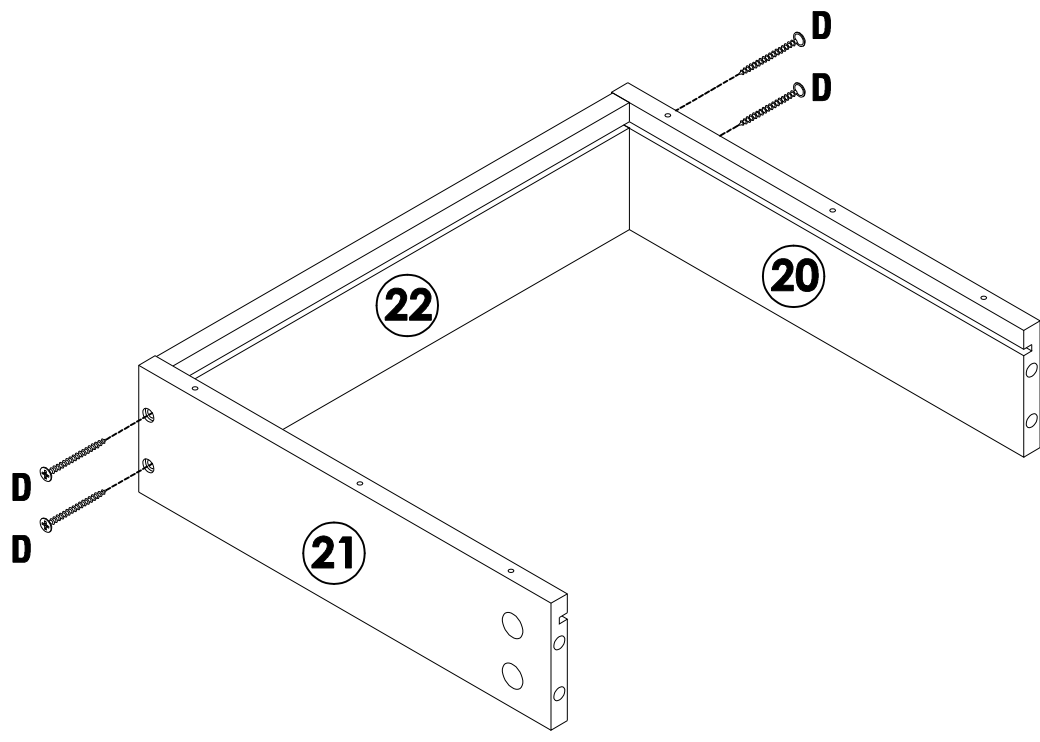
F2	x2	I	x6	J	x1	K	x2
----	----	---	----	---	----	---	----



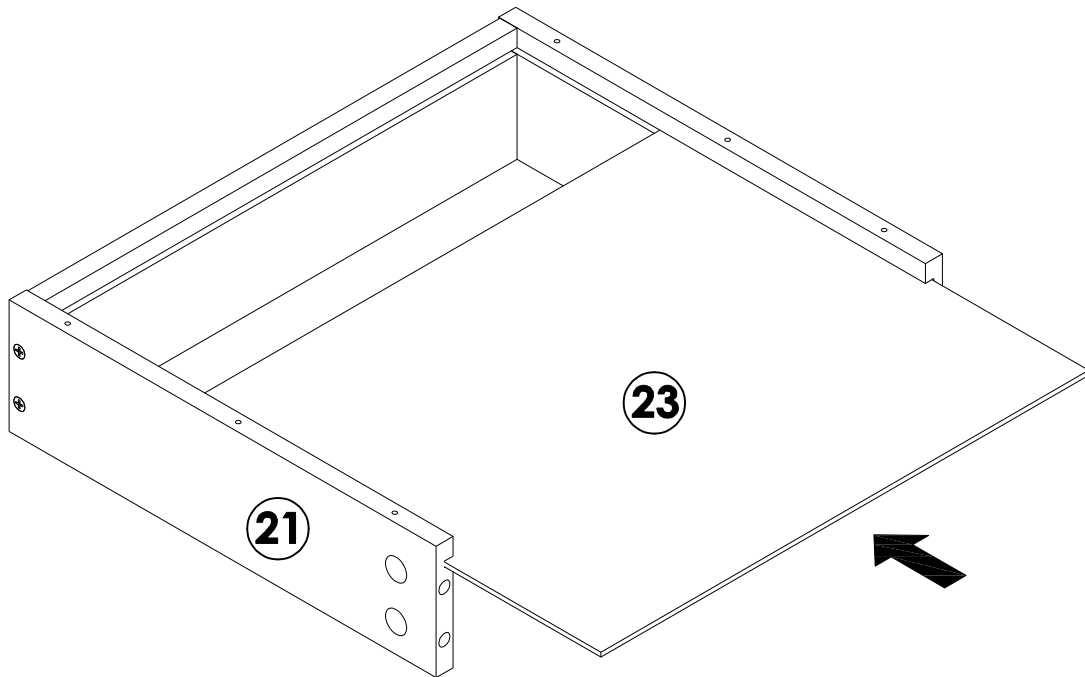
Step 37

YOU WILL NEED

D	x4		
---	----	--	--



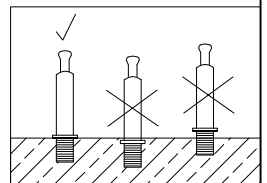
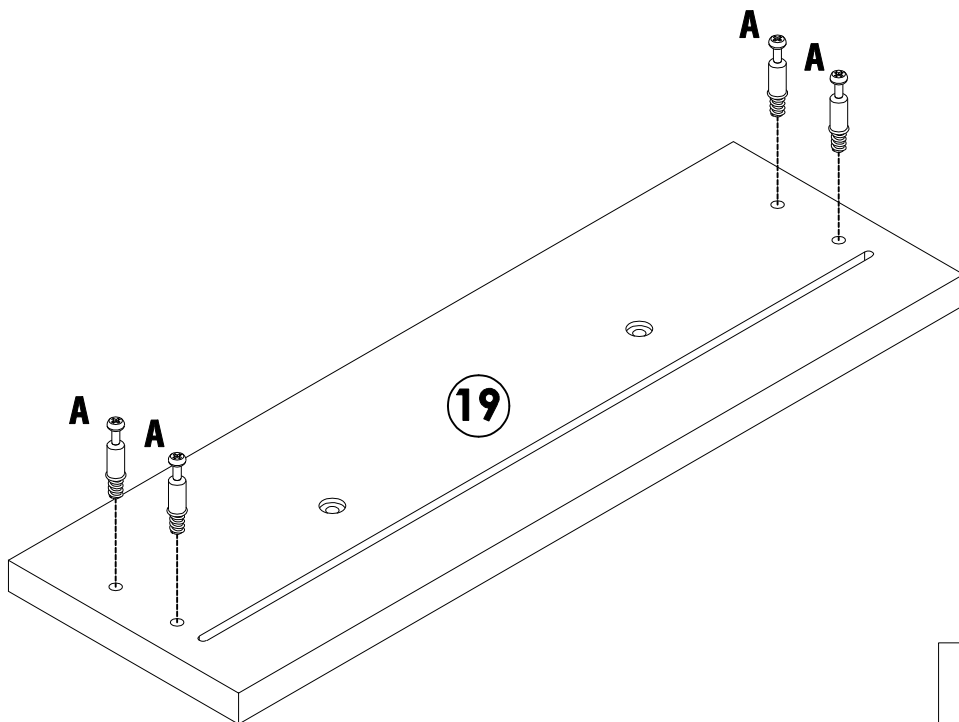
Step 38



Step 39

YOU WILL NEED

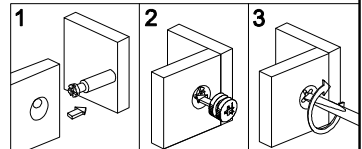
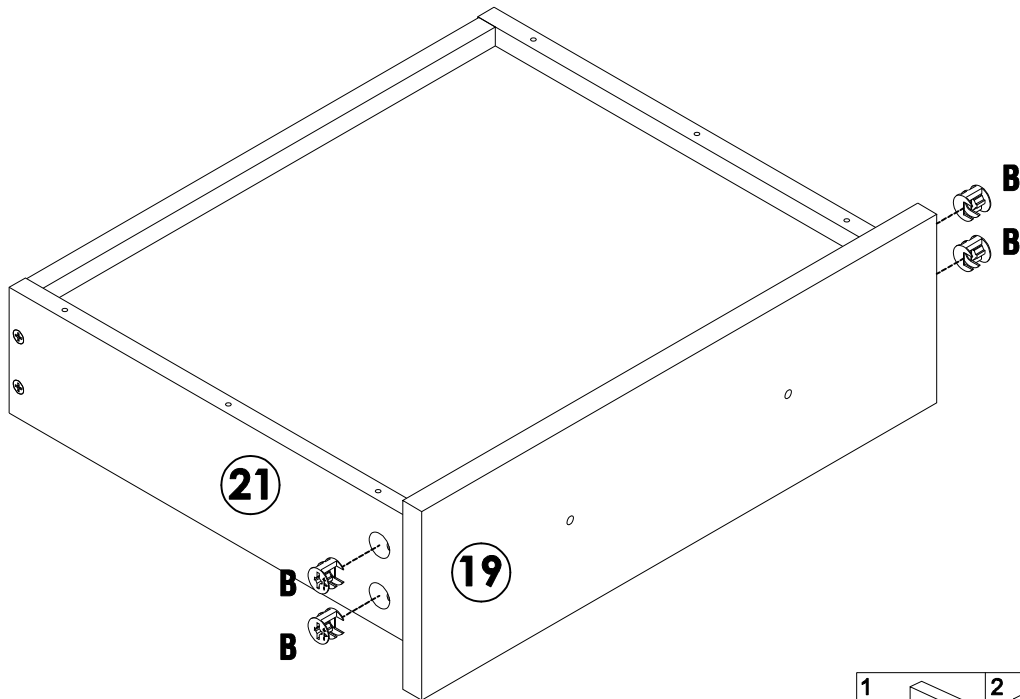
A x4



Step 40

YOU WILL NEED

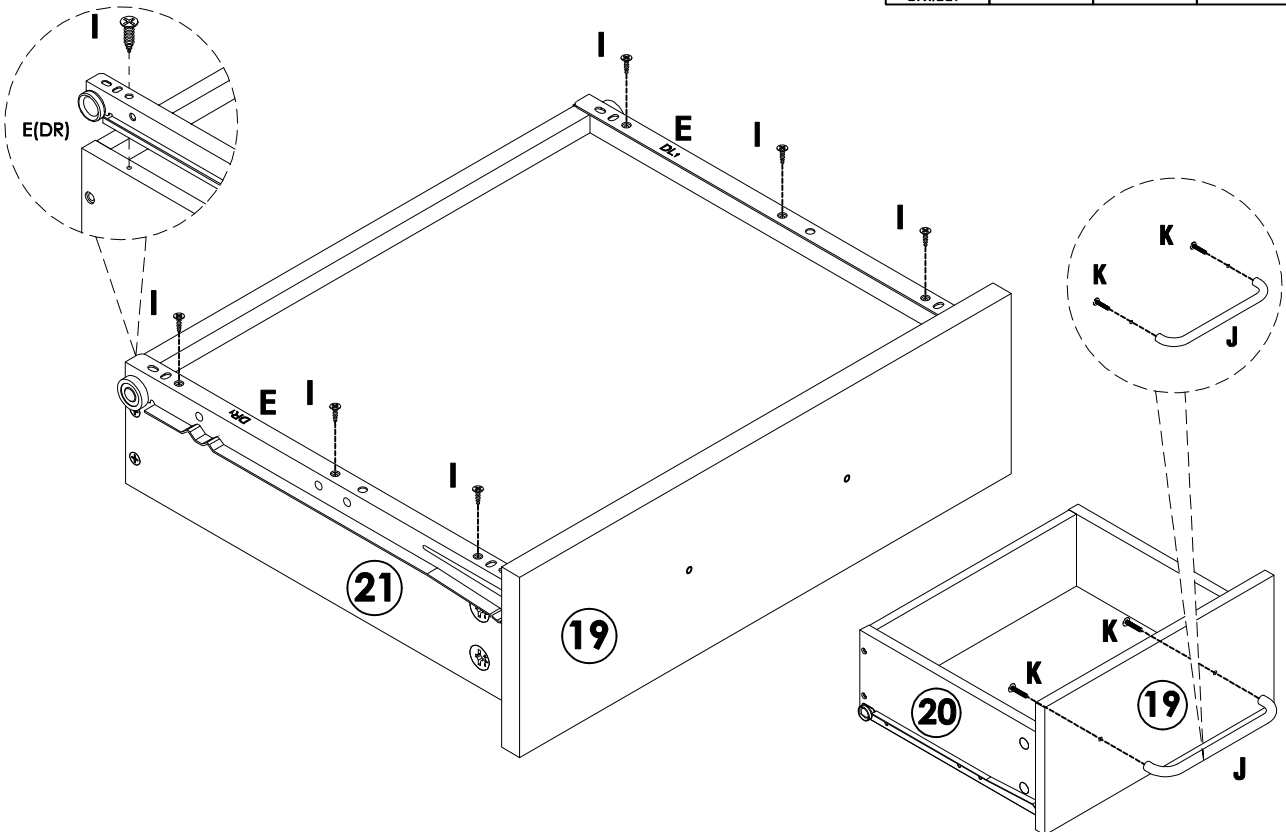
B x4



Step 41

YOU WILL NEED

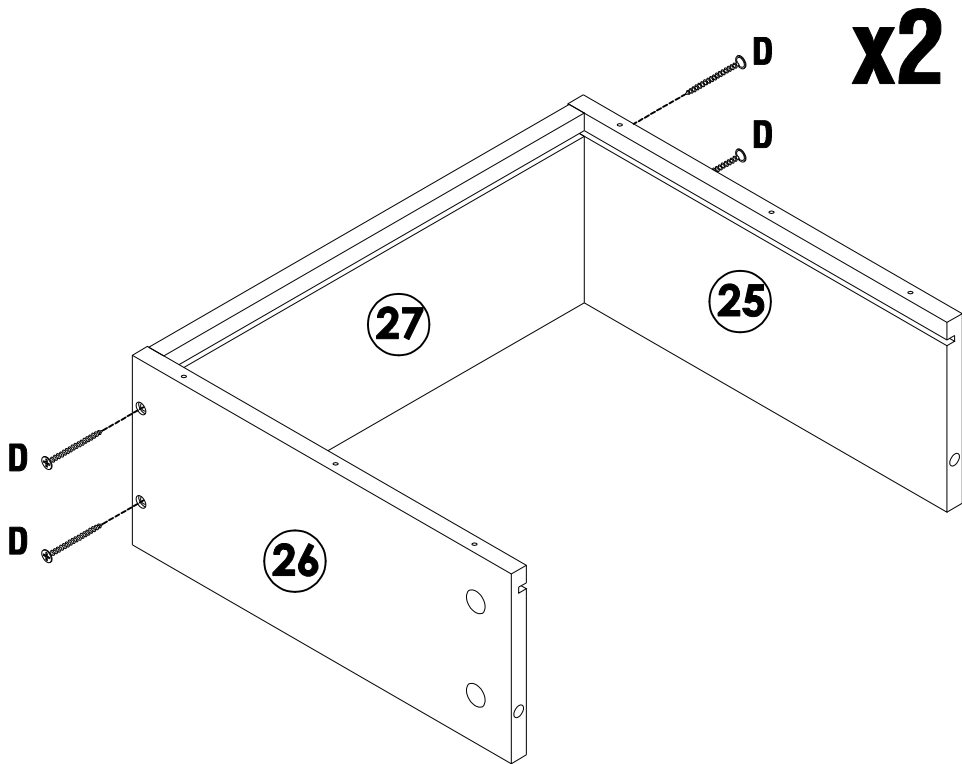
E_{DR1/DL1} x1 | **I** x6 | **J** x1 | **K** x2



Step 42

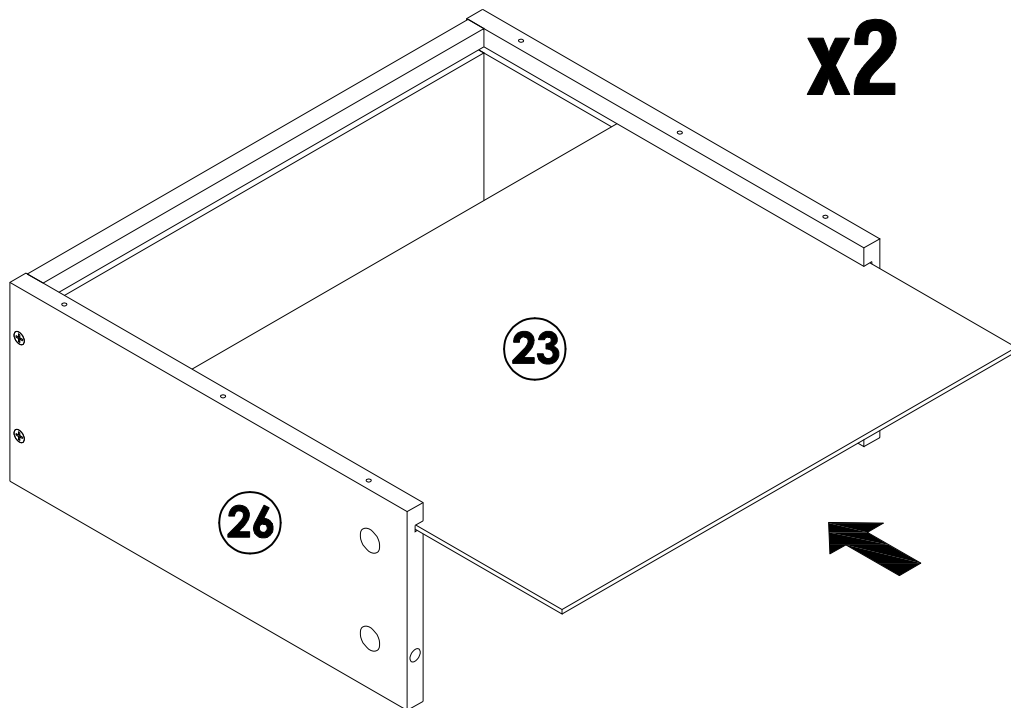
YOU WILL NEED

D x8



Step 43

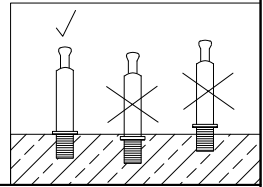
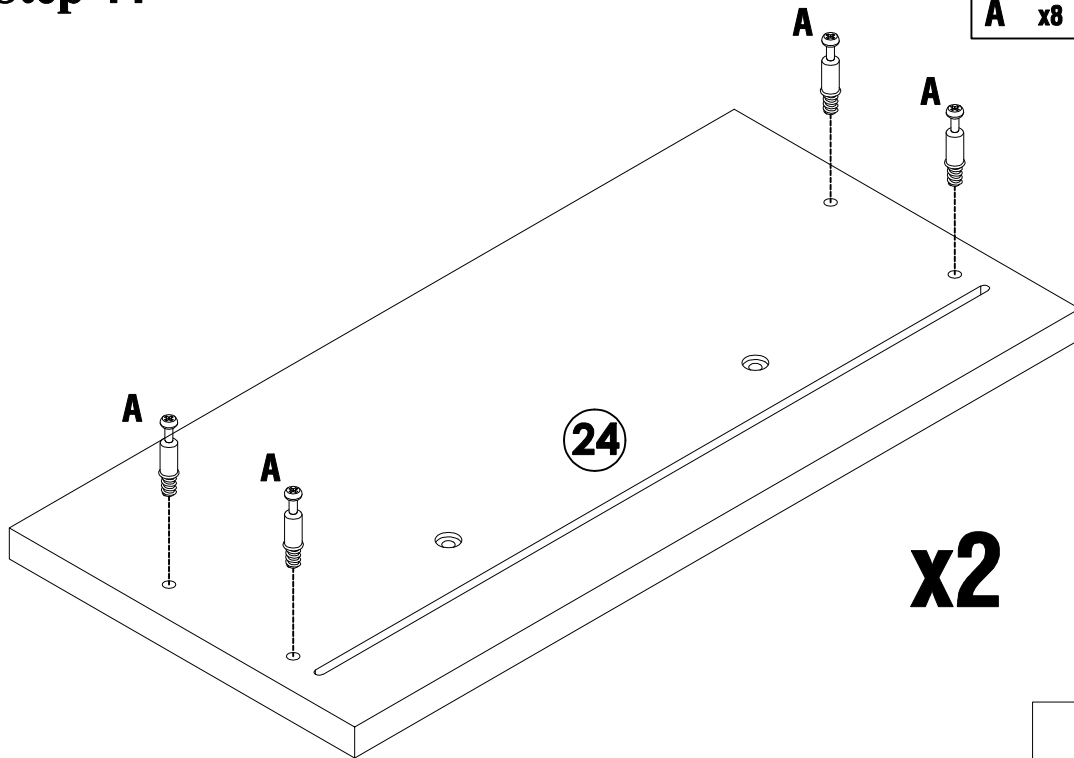
x2



Step 44

YOU WILL NEED

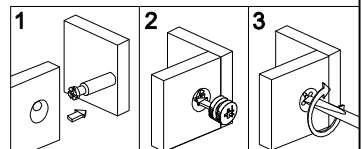
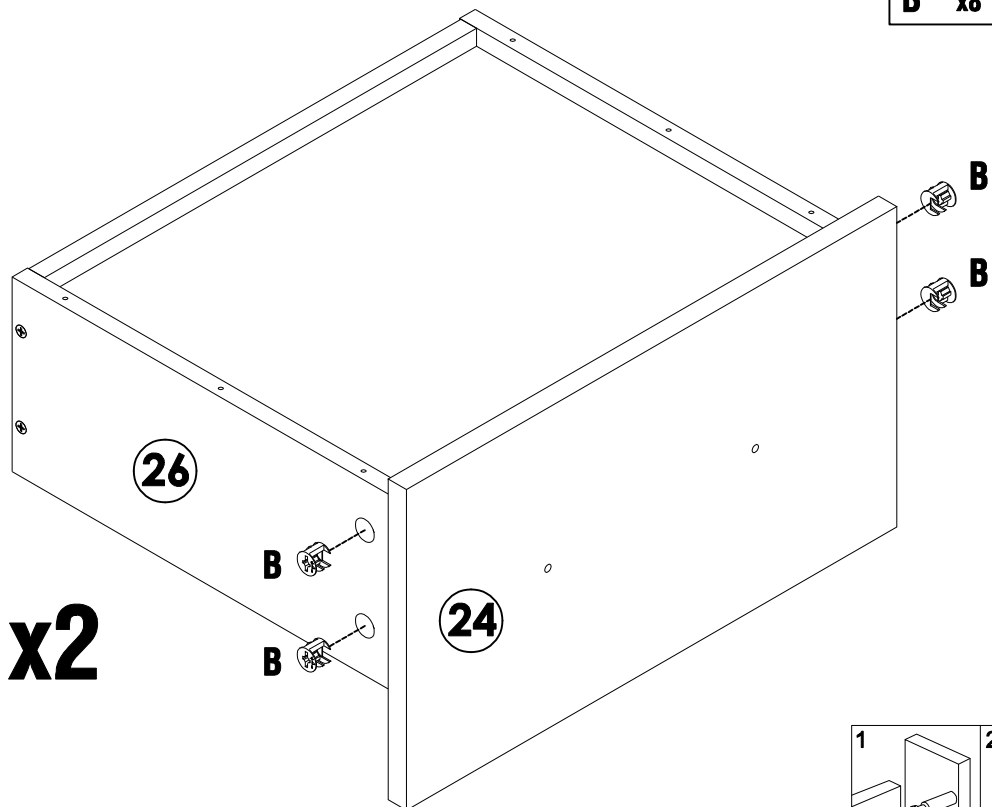
A x8



Step 45

YOU WILL NEED

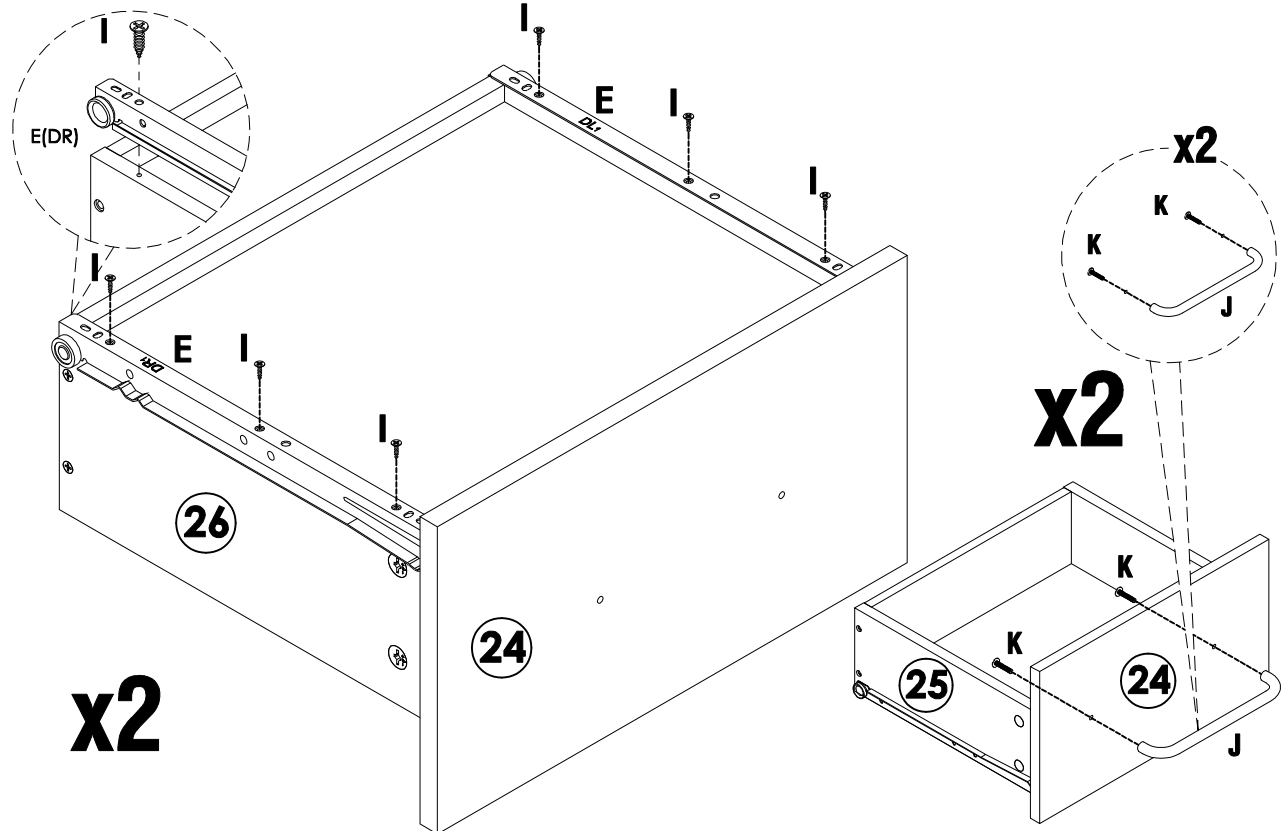
B x8



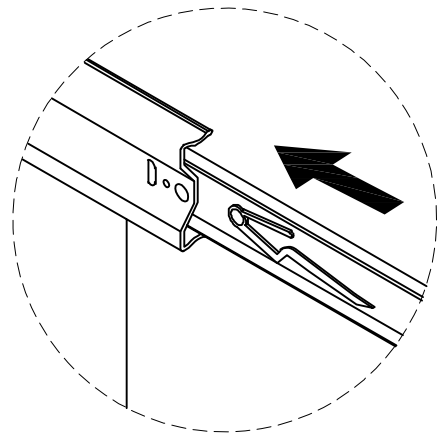
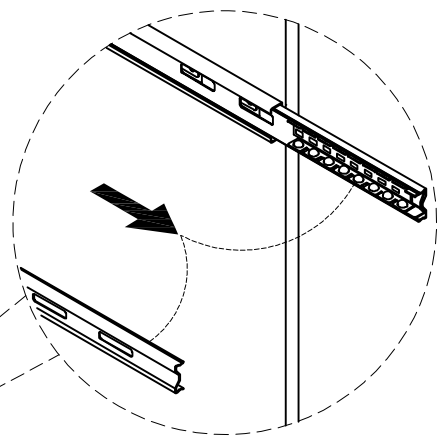
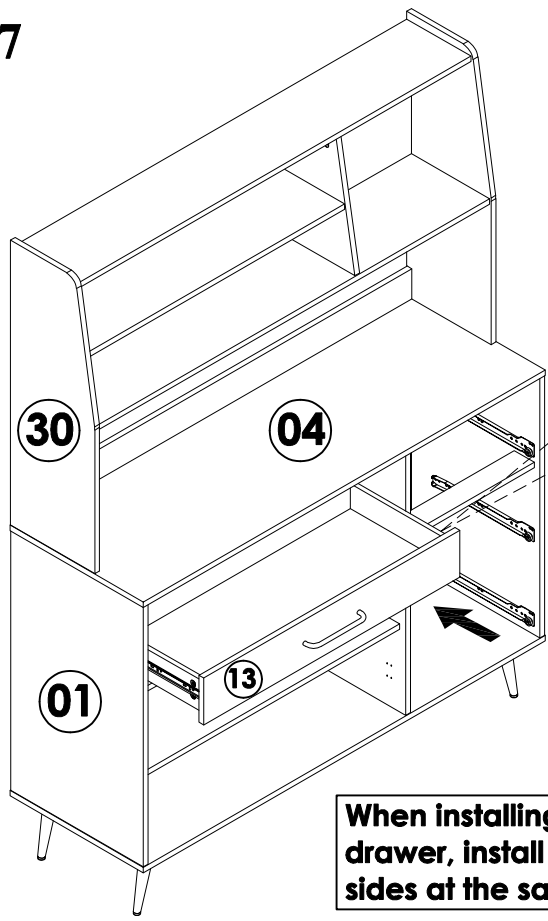
Step 46

YOU WILL NEED

E _{DR1/DL1} x2	I x12	J x2	K x4
-------------------------	-------	------	------

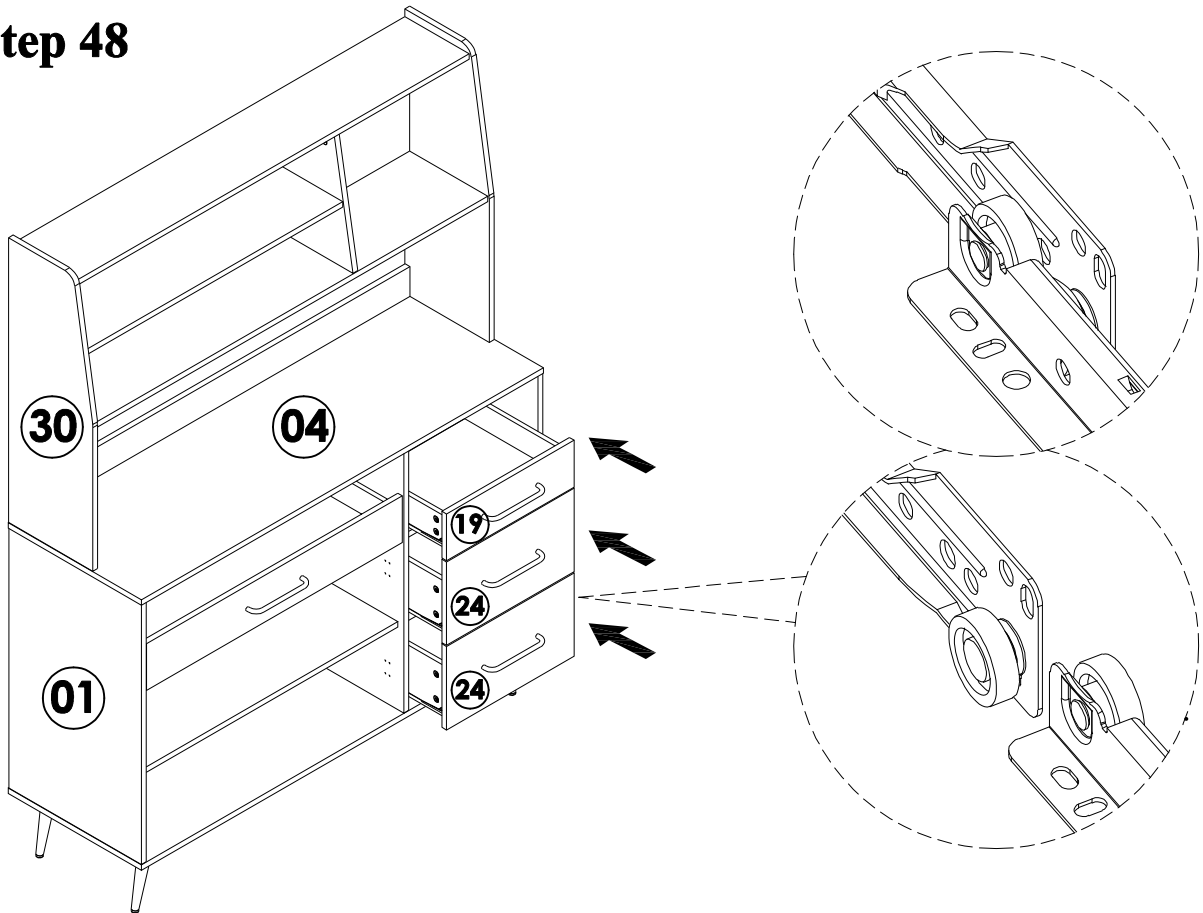


Step 47



When installing the drawer, install both sides at the same time

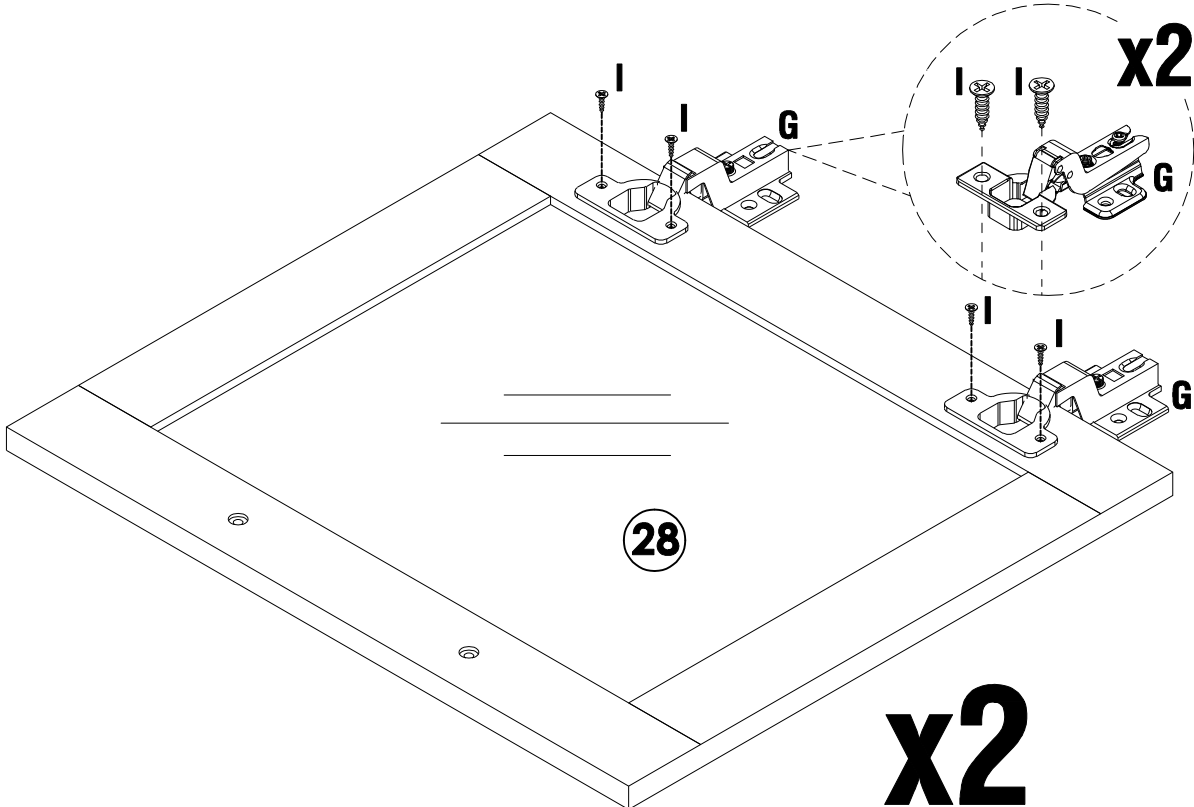
Step 48



Step 49

YOU WILL NEED

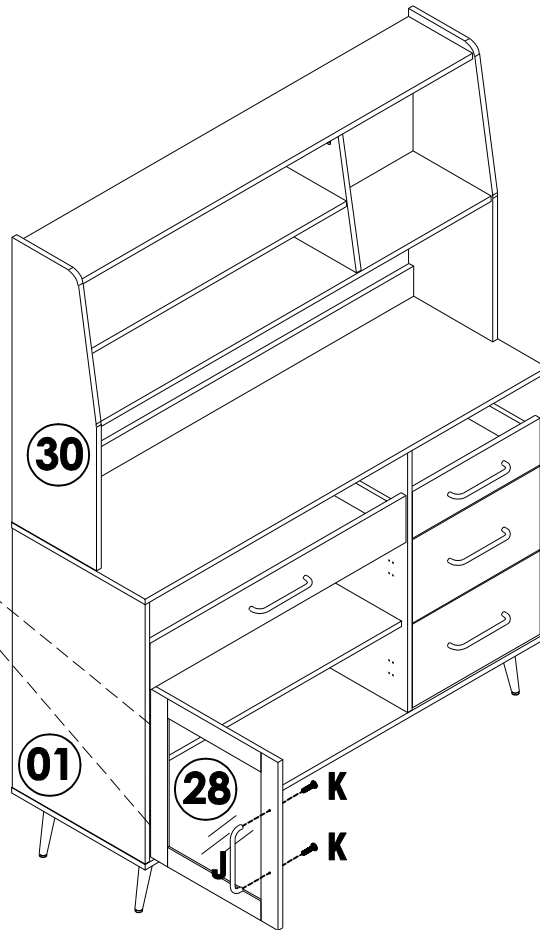
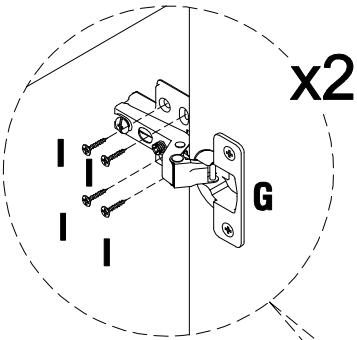
G	x4	I	x8
---	----	---	----



Step 50

YOU WILL NEED

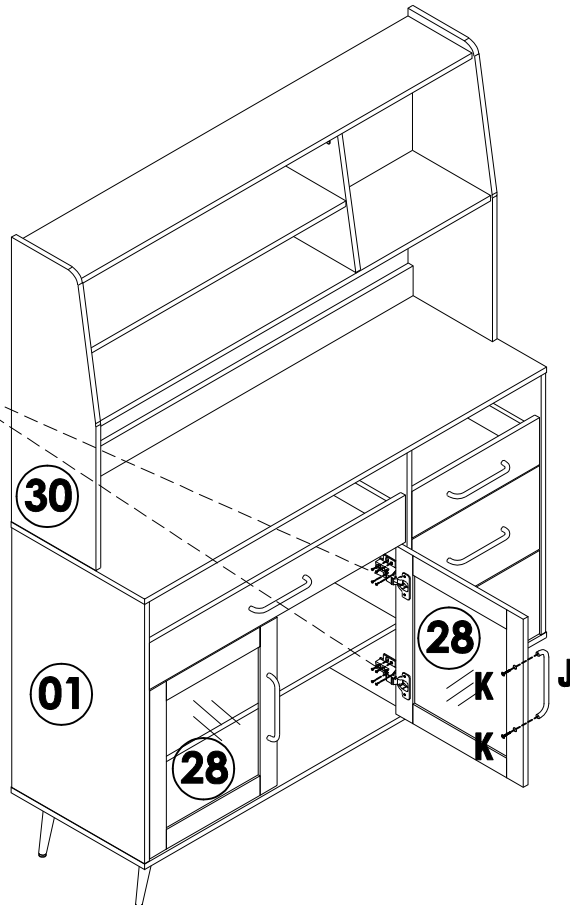
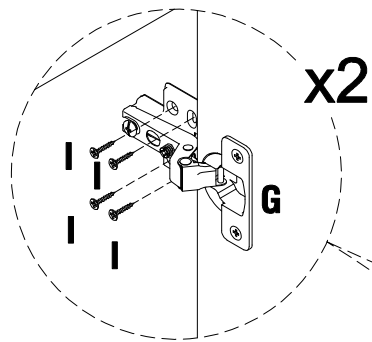
I	x8	J	x1	K	x2
---	----	---	----	---	----



Step 51

YOU WILL NEED

I	x8	J	x1	K	x2
---	----	---	----	---	----

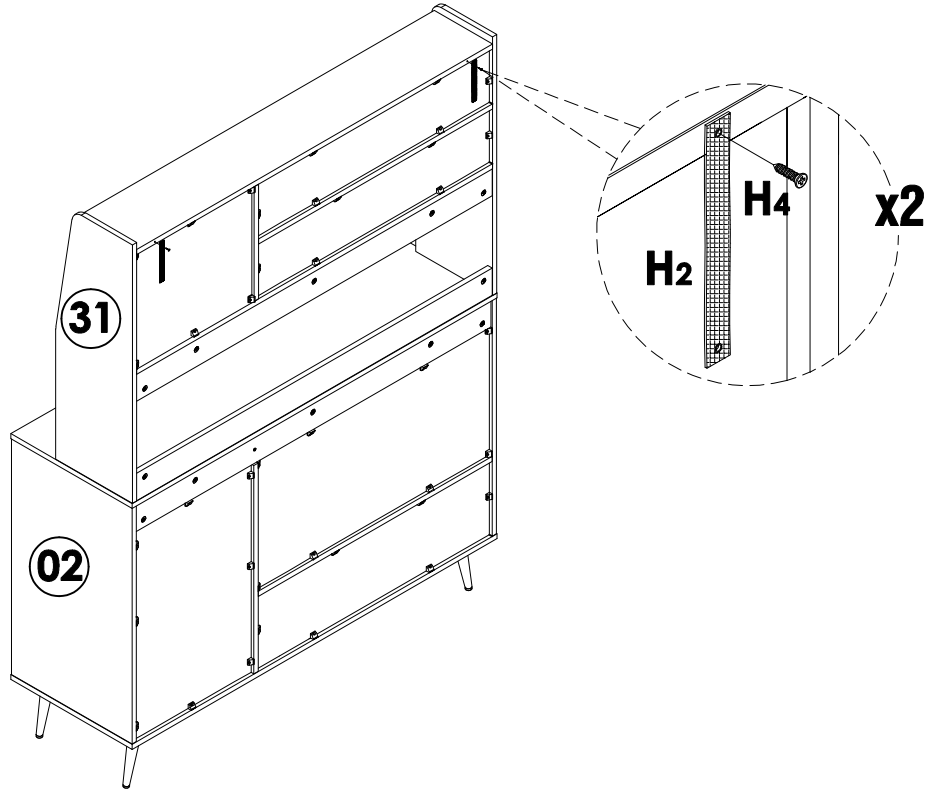


Step 52

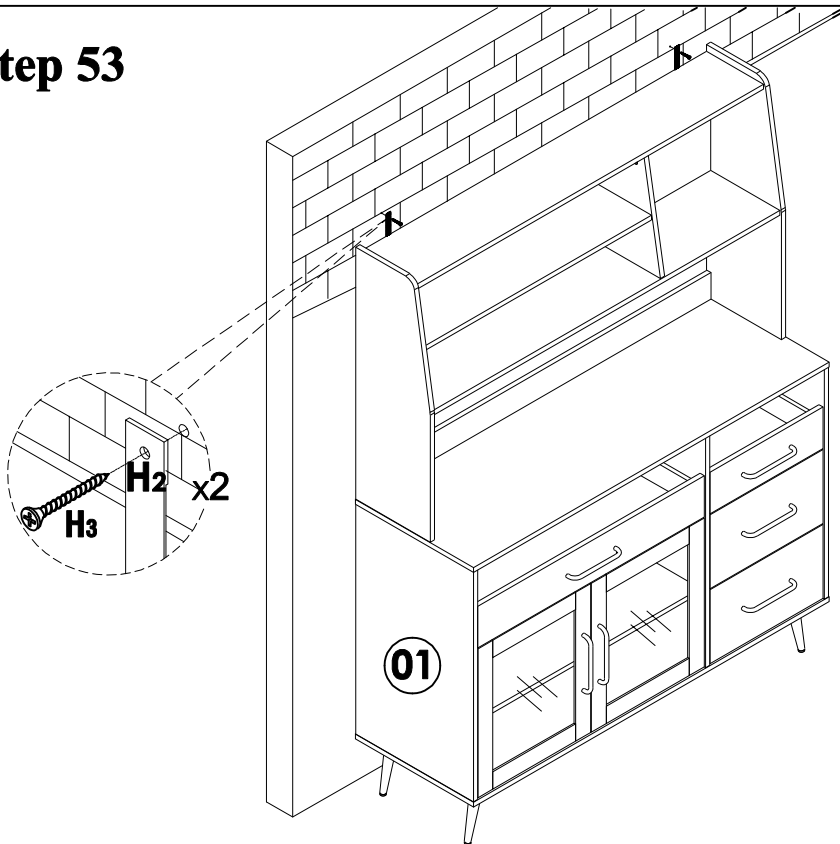
Use screw (H4) to fix the strap (H2) on the back edge of the top panel

YOU WILL NEED

H2	x2	H4	x2
----	----	----	----



Step 53



YOU WILL NEED

H0	x2	H1	x2	H3	x2
----	----	----	----	----	----

WALL

Mark the hole drilling location



I X2

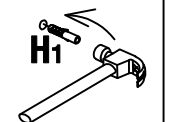
WALL

Drilling hole



II X2

WALL



Use a hammer to close tacke (H1)

III X2

SPECIAL WALL



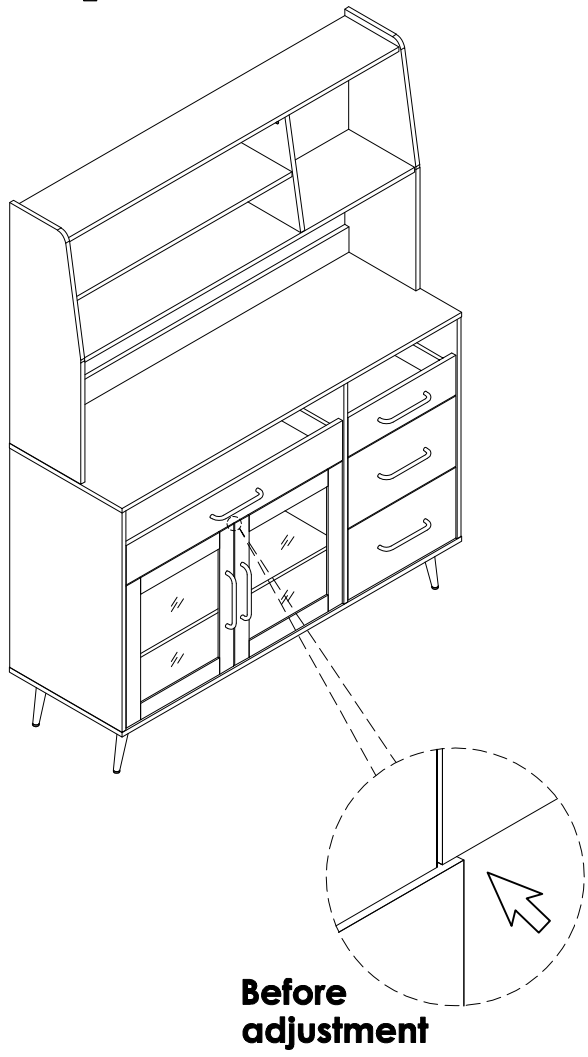
Use a screwdriver to screw tacke (H0) to the wall

Step1: Determine the location of the anti-overturning on the wall and then mark the position after confirming the product has been balanced.

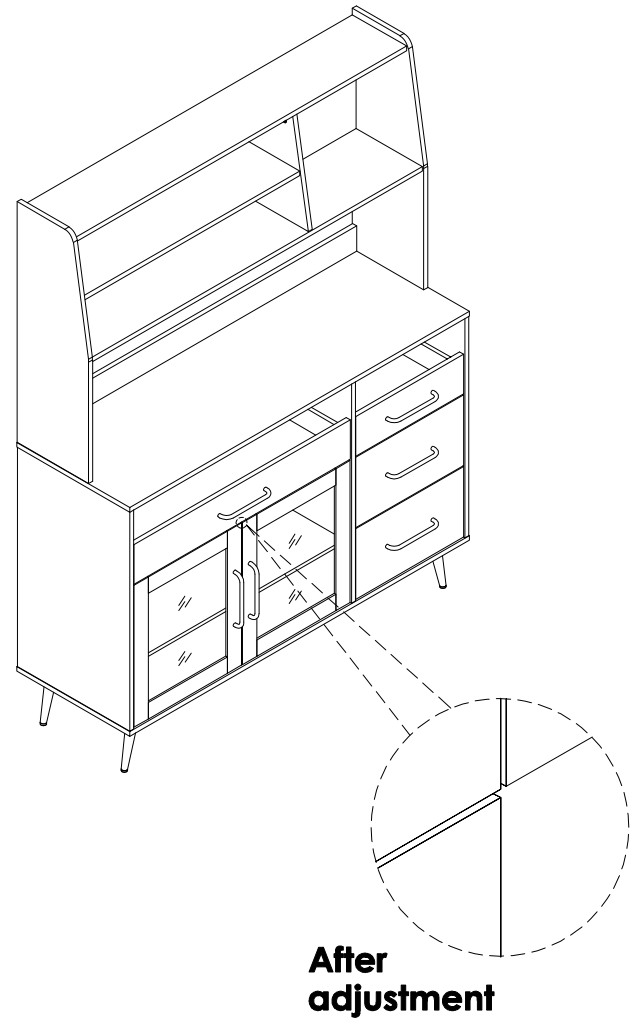
Step 2: Drill the hole and then fixed the Tacke (H1) on the wall or Tacke (H0) for special wall.

Step 3: Use screw (H3) to fix the strap (H2) on the wall

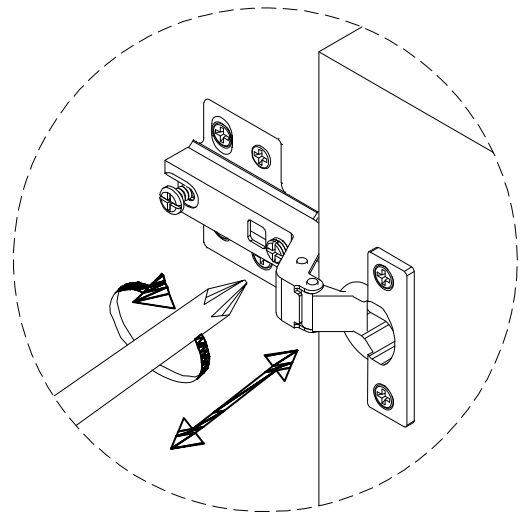
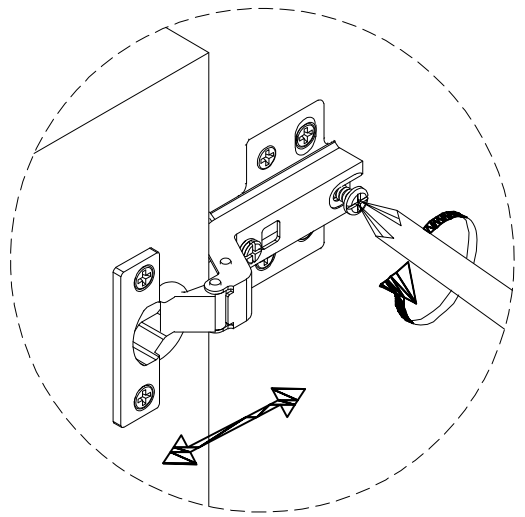
Step 54



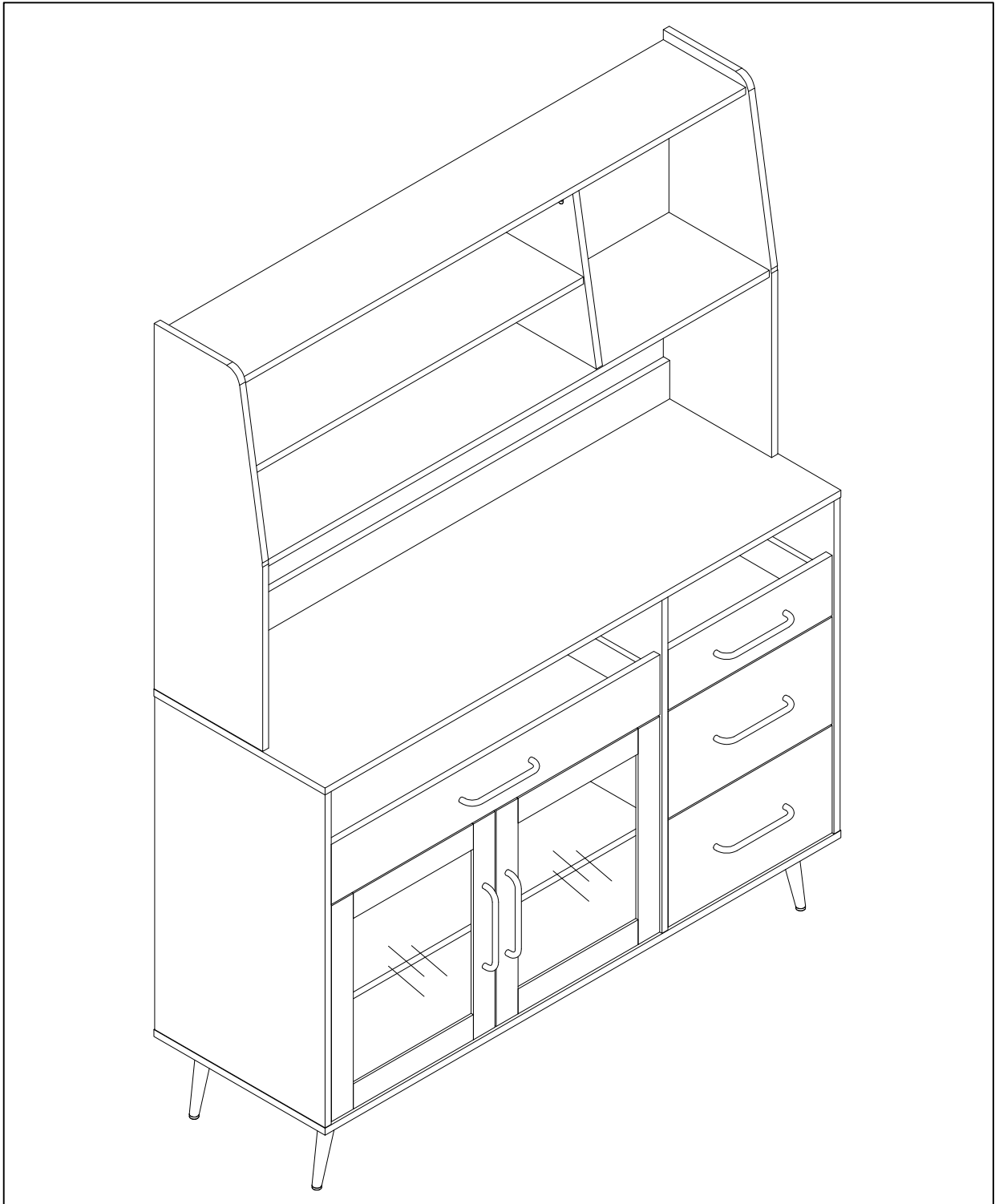
Before adjustment



After adjustment



Step 55



GUARANTEE

Buffet Cabinet offers a **90-days** warranty that begins on the date of the original purchase and applies to problems caused by the manufacturer. For questions, assistance, or support, please contact the Customer Service by e-mail with your order number and details. We will send you further information about the solution.