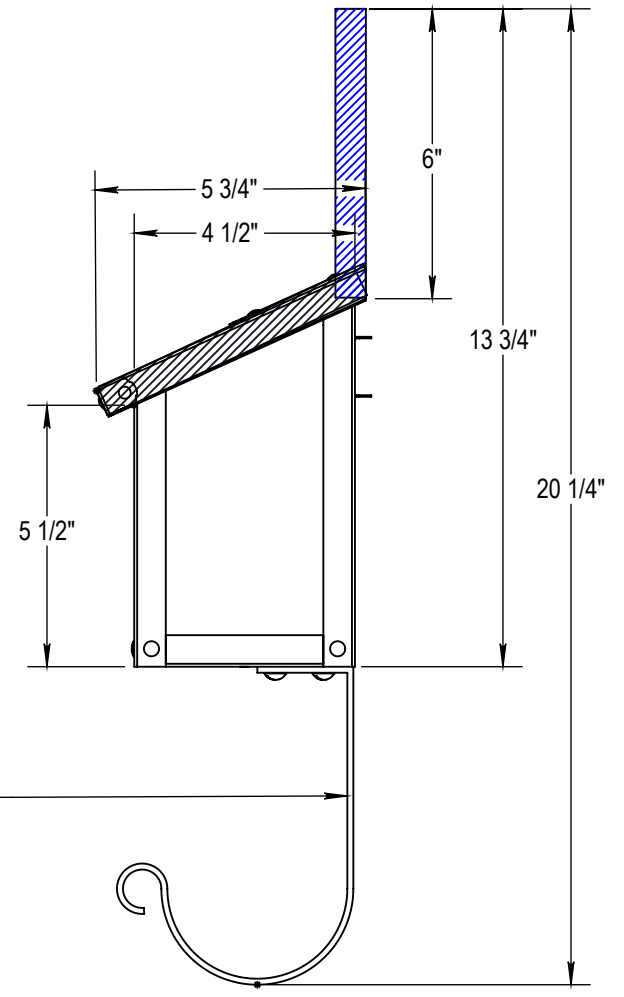
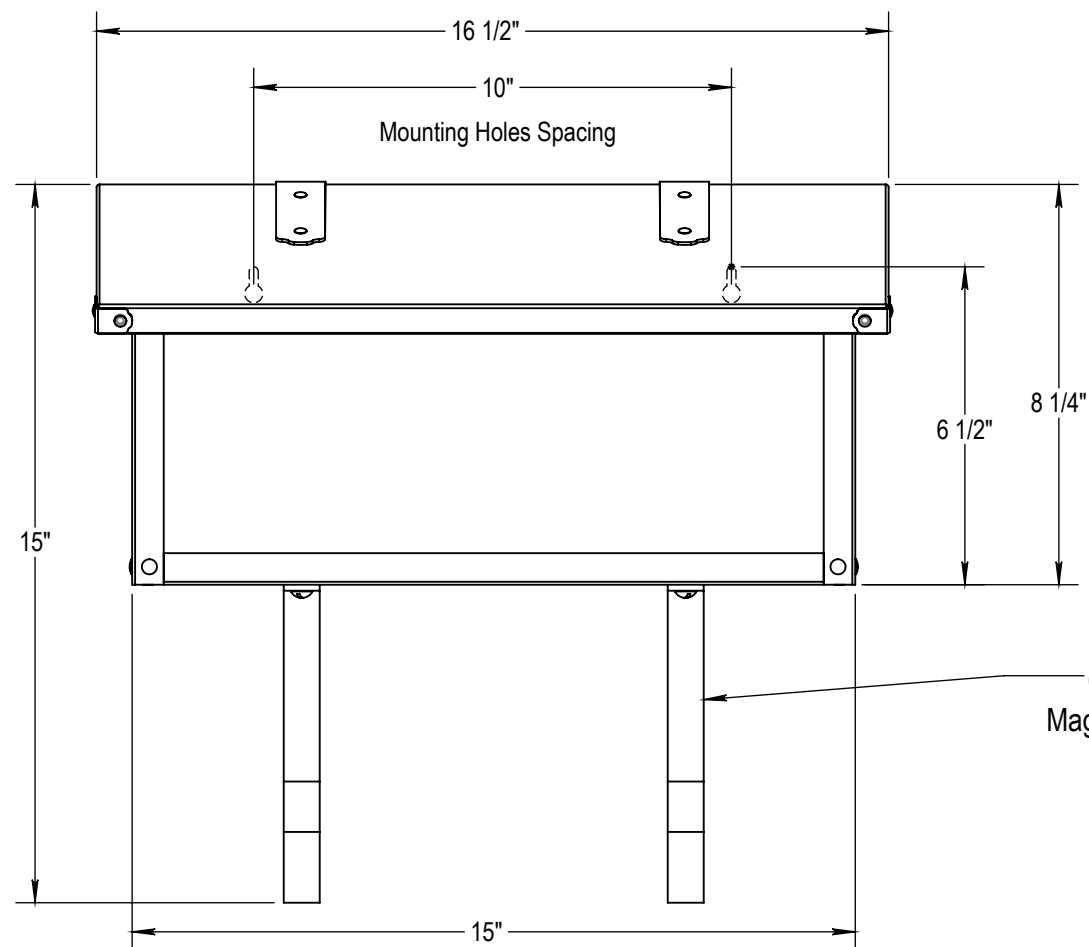


Interior Dimensions
 Width= 14 7/8"
 Depth= 4 3/8"
 Front Height= 5 3/8"
 Back Height= 8 1/8"



DATE:	2/16/2021
DRAWN BY:	A. PEREZ
QTY:	N/A
MATERIAL:	BRASS

TITLE:	CLASSIC HORIZONTAL MAILBOX
FIXTURE #:	AF-2

PROPRIETARY AND CONFIDENTIAL
 THE INFORMATION CONTAINED IN THIS DRAWING IS THE SOLE PROPERTY OF OLD CALIFORNIA LANTERN COMPANY. ANY REPRODUCTION IN PART OR AS A WHOLE WITHOUT THE WRITTEN PERMISSION OF OLD CALIFORNIA LANTERN COMPANY IS PROHIBITED.