



SPEC SHEET

KoolMore 50 in. One Door Commercial Pizza Prep Refrigerator in Stainless-Steel

Model: KM-RPPS-1DSS

FEATURES

- Stainless-Steel Construction
- Temperature Range:33°F-40°F
- Auto/Cycle Defrost
- Side-Mounted Compressor
- ETL Certification
- Built-In Full-Length Cutting Board
- Expanded Cold Storage Space
- Protective Rail Lid Food Cover



CLOSE UP IMAGES



TECHNICAL SPECS

Dimensions

Length	49.6
Width	31.2
Height	41.12
INTERIOR DEPTH	27.16
INTERIOR WIDTH	27.59
INTERIOR HEIGHT	22.91
DEPTH EXCLUDING HANDLES	31.49
DEPTH INCLUDING HANDLES	31.49
DEPTH WITH DOOR OPEN 90 DEGREES	60.88
DEPTH LESS DOOR	31.49
HEIGHT TO TOP OF DOOR HINGE IN	33
POWER CORD LENGTH	98
MINIMUM BACK AIR CLEARANCE IN	2 in.
MINIMUM SIDE AIR CLEARANCE IN	2 in.
Weight Lbs	374

Capacity

GROSS CUBIC FEET	12
NET CUBIC FEET	9.5

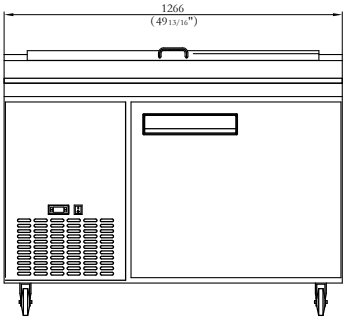
Features & Materials

COOLING UNIT TYPE	Automatic
NUMBER OF SHELVES	1
TEMPERATURE RANGE	33 - 40 F
AMBIENT TEMPERATURE RANGE	90 F
TEMPERATURE CONTROL TYPE	External Digital
SHELF MATERIAL TYPE	Wire
SHELVES ADJUSTABLE	Yes
EXTERIOR MATERIAL	Stainless-Steel 430
INTERIOR MATERIAL	Stainless-Steel 430
COLOR DOOR HANDLES	Black
COLOR FINISH	Stainless-Steel
COUNTER DEPTH	No
DEFROST TYPE	Automatic
NUMBER OF DOORS	1
DOOR STYLE	Swing
HINGE LOCATION	Top and Bottom of Right Side
REFRIGERANT TYPE	R-290

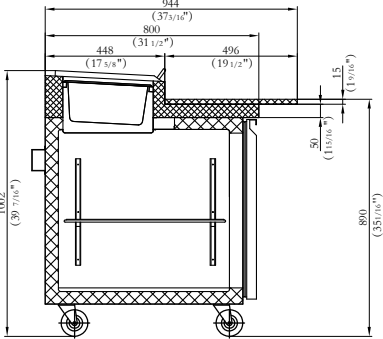
Electric & Certification

HERTZ	60
VOLTAGE	120
PHASE	1
AMPS	4.5
WATTAGE	293
PLUG TYPE	NEMA 5-15P
CERTIFICATIONS	ETL Listed for Safety and Sanitation

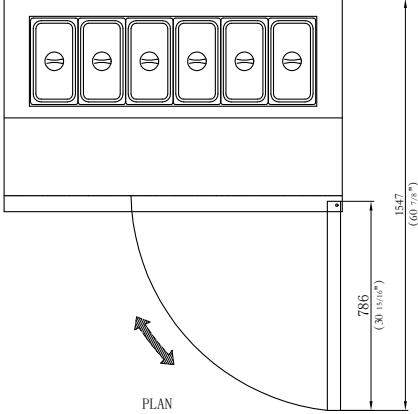
Plan View



ELEVATION



SECTION VIEW



PLAN

CERTIFICATIONS



706 Eastern Parkway STE 1G, Brooklyn NY 11213
 718-576-6342
 info@koolmore.com