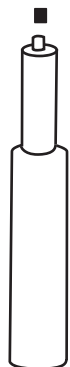
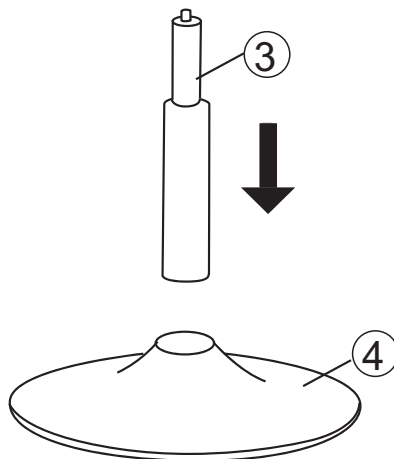


ASSEMBLY INSTRUCTION

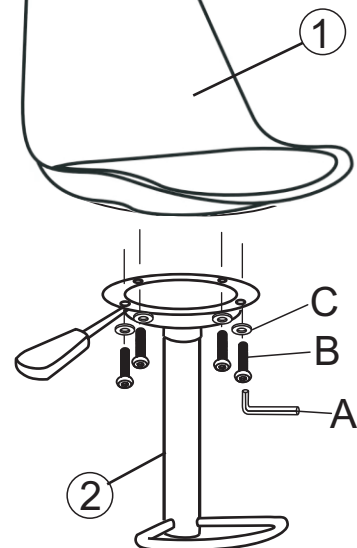
STEP 1



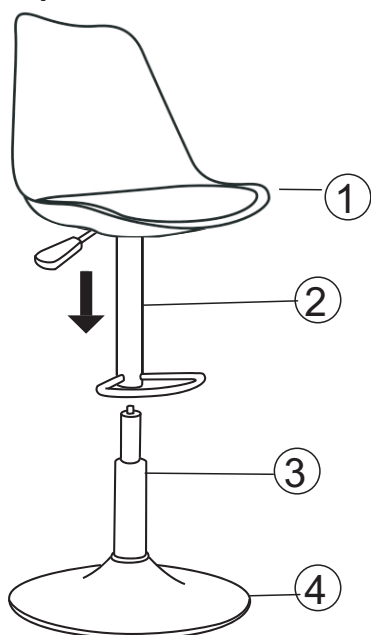
STEP 2



STEP 3






STEP 4



STEP 5



Hardware watches

| | | |
|---|--------------------|---|
| A | 4mm Allen key |  |
| B | M6*15mm Allen Bolt |  |
| C | Ø16*1.2 Washer |  |

Parts List

| | | | | |
|---|------------------|---------------|---|------------------------|
| ① | Back and seat | 390*480*450mm | 1 | PP plastic+ pu Leather |
| ② | Metal Connection | 220*290*360mm | 1 | metal |
| ③ | Lift frame | Ø50*510~720mm | 1 | metal |
| ④ | Base | Ø385*80mm | 1 | metal |