

ASSEMBLY INSTRUCTION

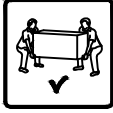
ASSEMBLY TIPS :

1. Remove hardware from box and sort by size.
2. Please check to see that all hardware and parts are present prior to start of assembly.
3. Please follow attached instructions in the same sequence as numbered to ensure fast & easy assembly.



Warning !

1. Don't attempt to repair or modify parts that are broken or defective. Please contact the store immediately.
2. This product is for home use only and not intended for commercial establishment.



ASSEMBLY TIME

20 MINUTES

PARTS IDENTIFICATION

HARDWARE IDENTIFICATION

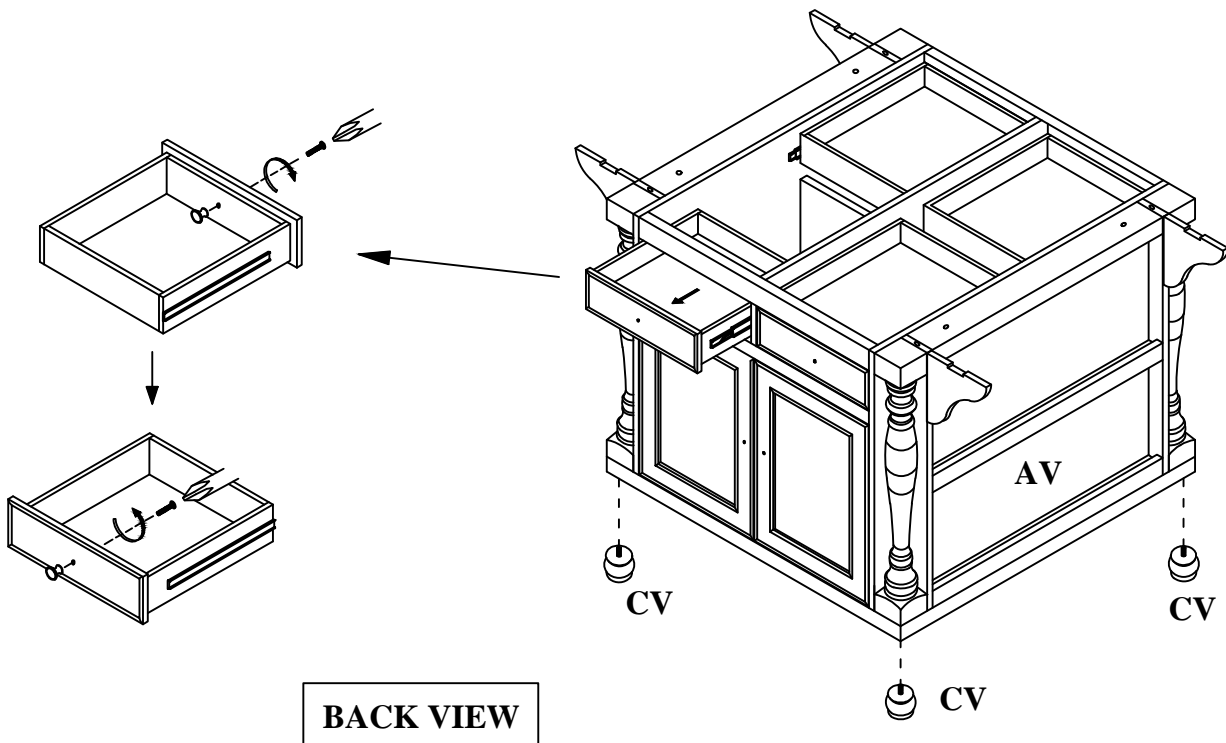
Z-B2(BOX 2) - HARDWARE PACK IS LOCATED IN (B2)



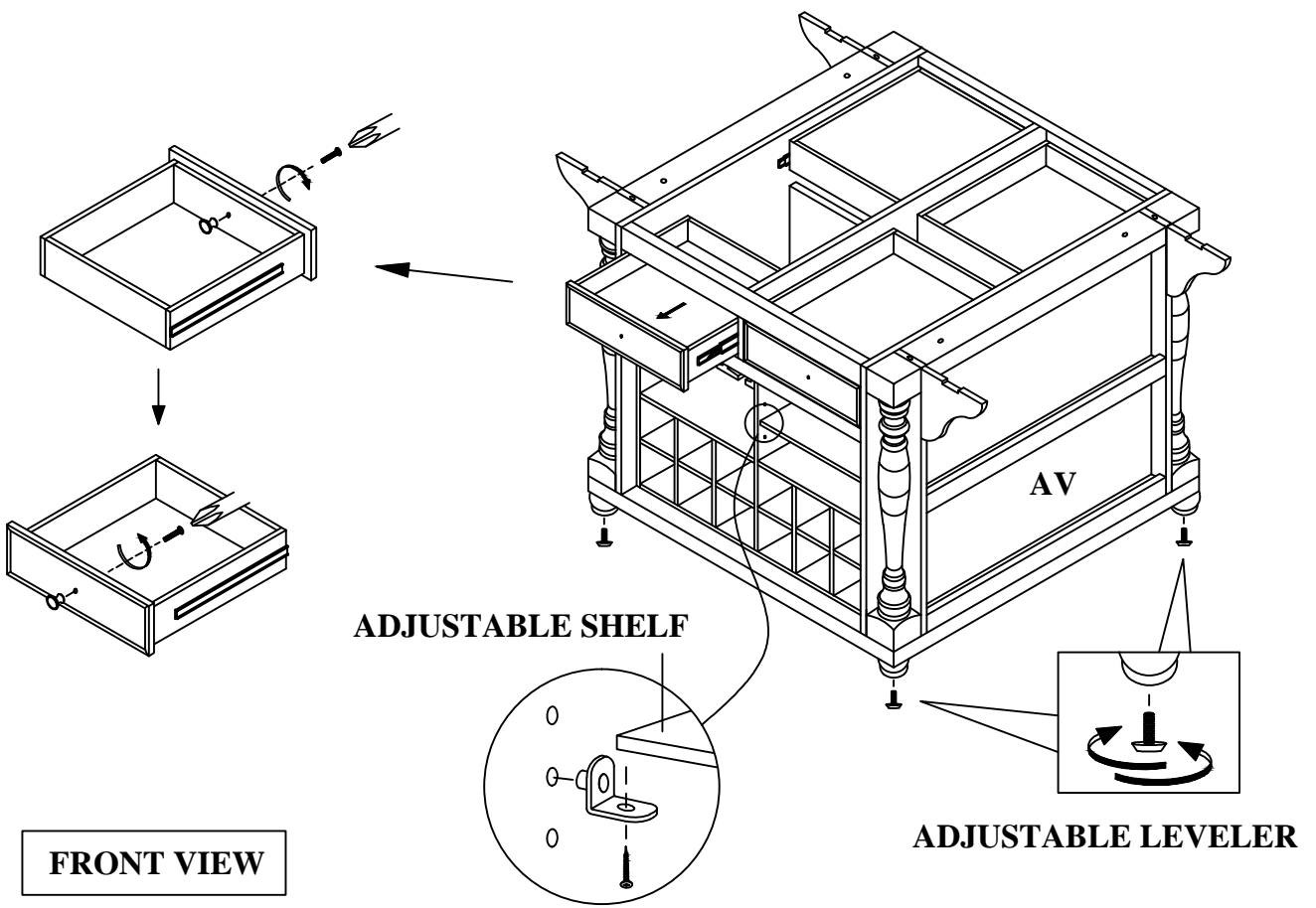
1		ALLEN WRENCH	1PC
2		BOLT	4PCS
3		LOCK WASHER	4PCS
4		FLAT WASHER	4PCS
5		GLUE	1PC
6		WOOD PLUG	4PCS

NOTE : PHILLIPS HEAD SCREW DRIVER IS REQUIRED IN THE ASSEMBLY PROCESS. HOWEVER, MANUFACTURER DOES NOT PROVIDE THIS ITEM.

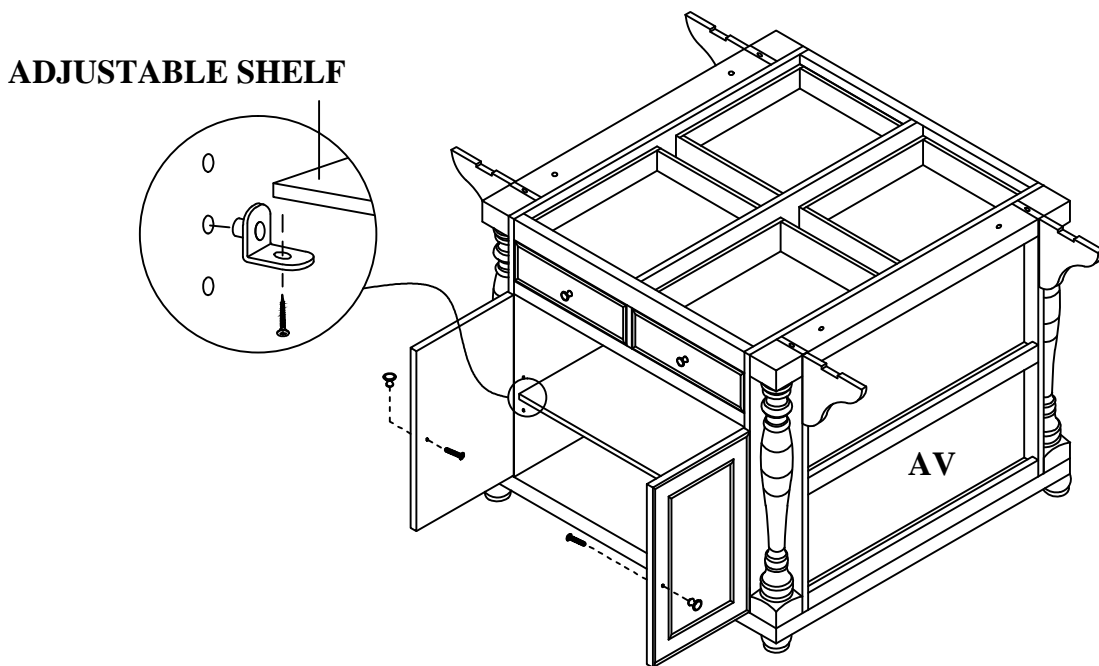
STEP 1



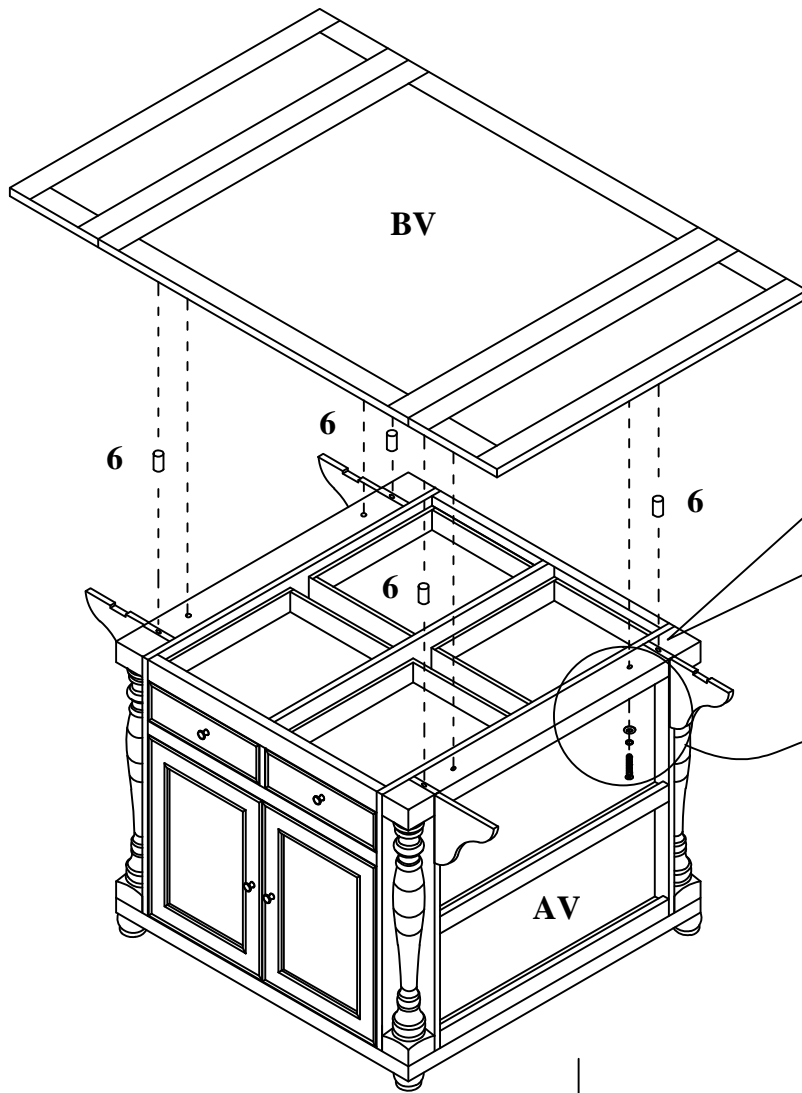
STEP 2



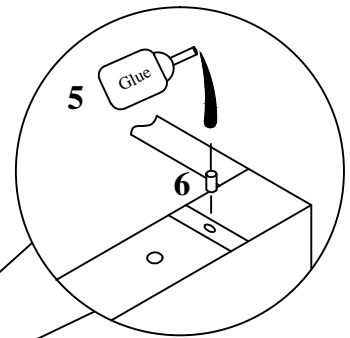
STEP 3



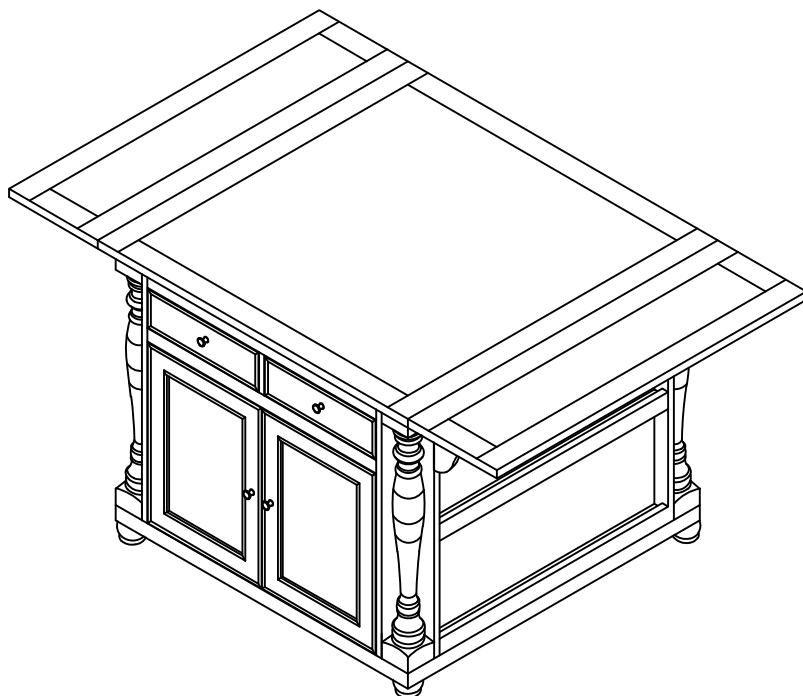
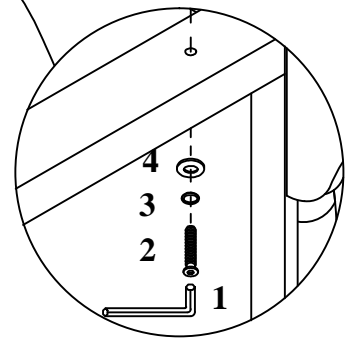
STEP 4



STEP 4.1

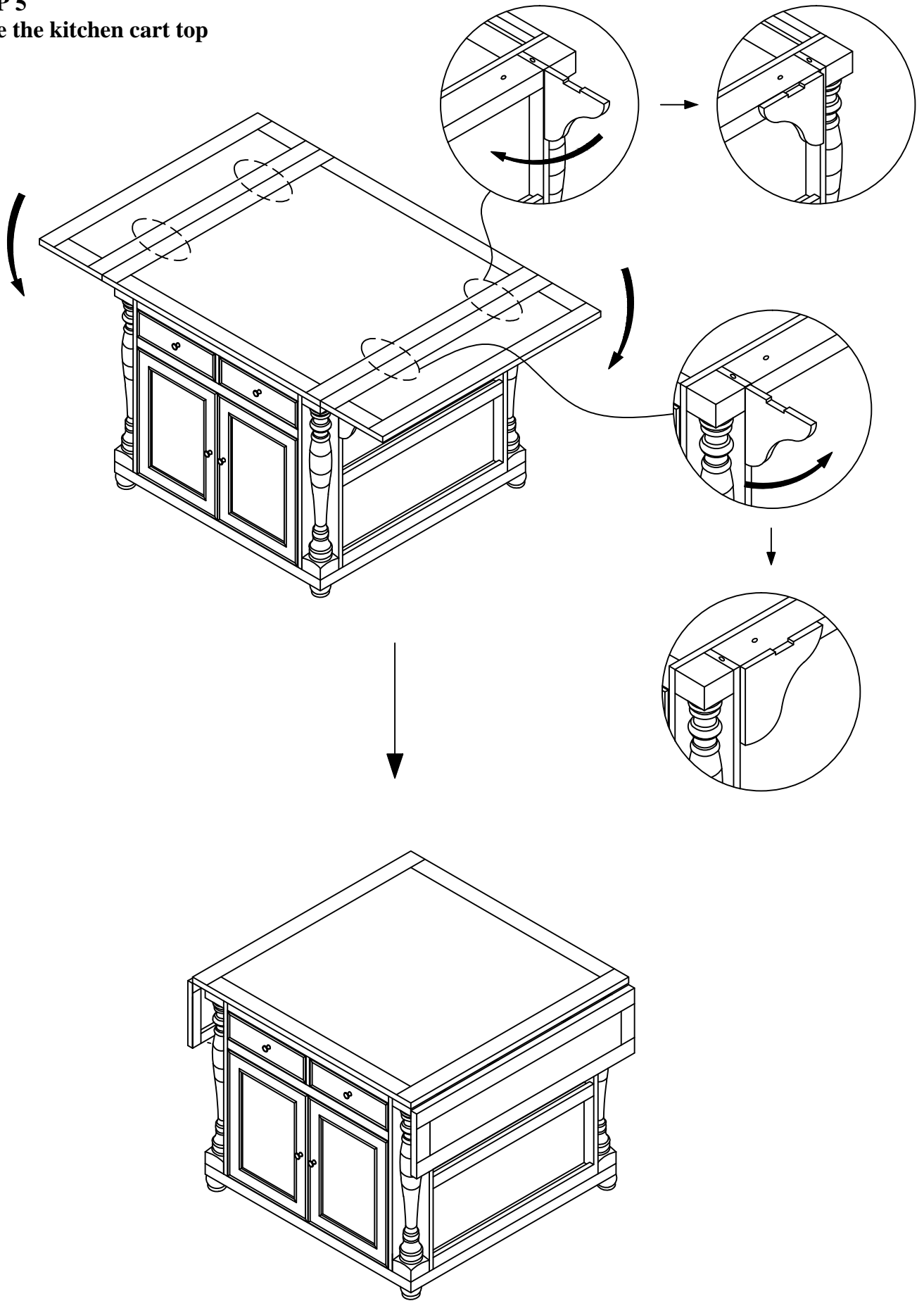


STEP 4.2



STEP 5

Close the kitchen cart top



STEP 6

Open up the kitchen cart top

