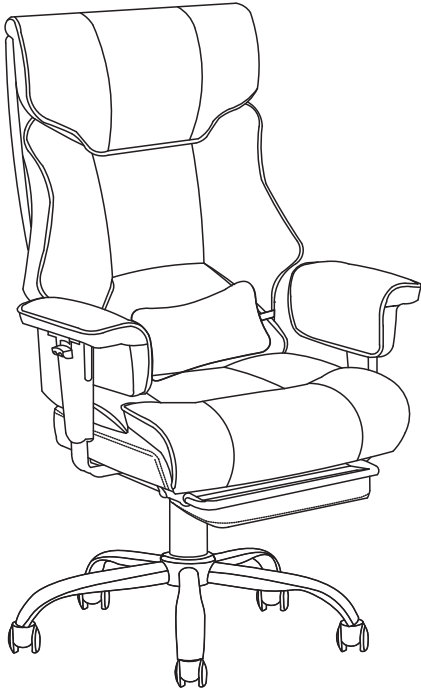


# **Assembly Instructions**



***Don't want to read the paper user manual? Scan the QR code to get the Installation video.***



**Installation QR**



◆ Please check all parts and accessories. If there are any problems such as defects or missing parts, please E-mail us at [info@comhoma.com](mailto:info@comhoma.com) for assistance. We will strive to resolve your problem within 24 hours on business days.



**CALL US FIRST! ! !**

**DO NOT RETURN TO STORE**

For immediate help with assembly or product information, please call us for assistance.



## WARNING

### ADULT ASSEMBLY REQUIRED

### CHOKING HAZARD

– The product is intended for household and indoor use **ONLY**.



### SAVE THESE INSTRUCTIONS

- Do not allow children to touch move–able parts of this product.
- Do not use the product if under the influence or feeling unwell.
- Do not allow water to enter this product, as it may cause damage.
- Only people less than 120KGS are acceptable.
- Stop using this chair if it is not functioning properly, and contact the service center immediately.
- Environment for usage.
  - Do not use this chair in an environment with high humid.
  - Do not use it under heavy–dusted or caustic environment.
  - Do not expose the product to heaters, stoves or direct sunlight.
  - Setting the product on an non–slip floor.
  - the product is not for commercial purposes.

# 01 Check All the Accessories Accessory Details

Please check and ensure all the things are in the package.  
You can contact us for help if something is not included.

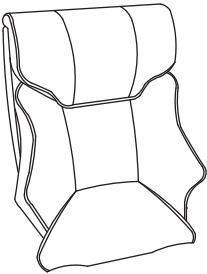
Before assembling your chair, please check to ensure all parts are included. If any part is missing, please contact us, and we will address your case within 24 hours on business days.

We can offer more attractive silent wheels with free shipping.

Please send a message to [info@comhoma.com](mailto:info@comhoma.com)

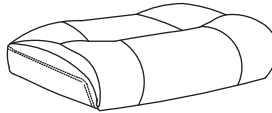


## 1. Main Parts



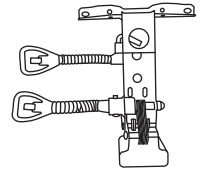
**A** x 1

Back



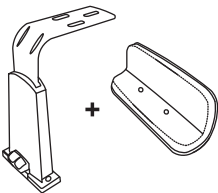
**B** x 1

Seat



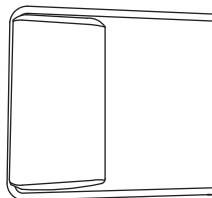
**C** x 1

Mechanism



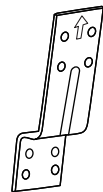
**D** x 2

Armrest



**E** x 1

Footrest



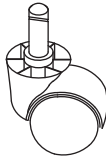
**F** x 1

Connector



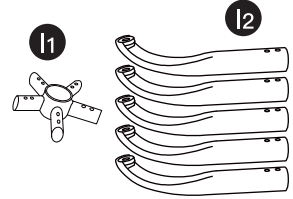
**G** x 2

Footrest Rail



**H** x 5

Caster



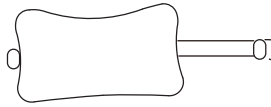
**I** x 1

Base



**J** x 1

Gas Lift



**K** x 1

Pillow



**M** x 1

Wrench

## 2. Screws and Other Parts

◆ Please check and ensure all the things are in the package. Please contact us if something is not included. We will reply within 24 hours and try our best to solve it.

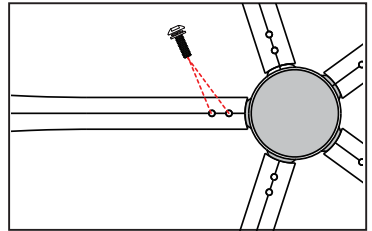
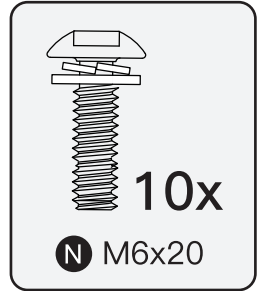
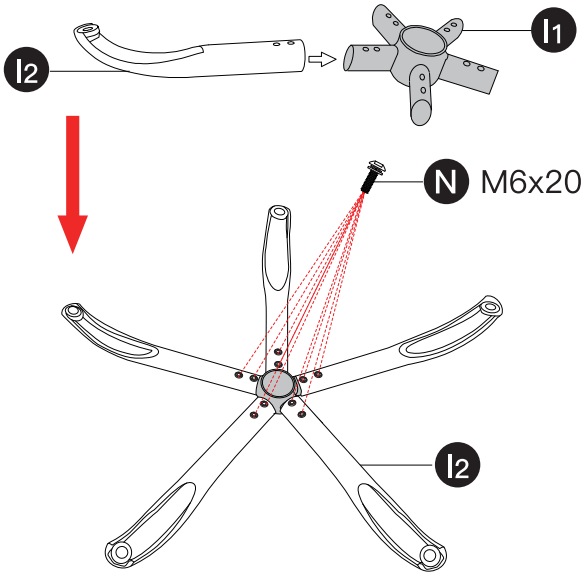
	<b>N</b>	M6x20	10pcs
	<b>O</b>	M6x22	4pcs
	<b>P</b>	M6x25	4pcs
	<b>Q</b>	M6x30	10pcs

	<b>S</b>	M6x30	4pcs
	<b>T</b>	M5x8	1pc
	<b>U</b>	M8x20	4pcs

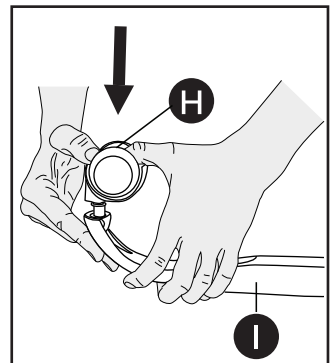
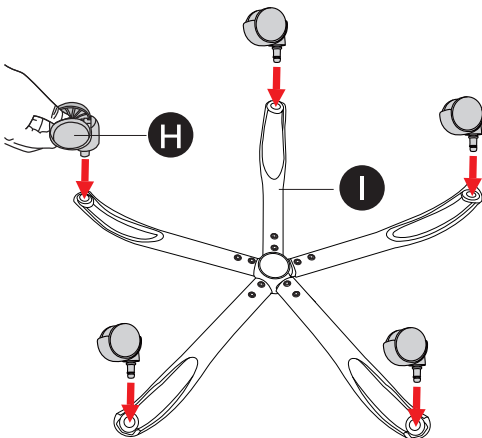
# 02 Chair Installation

Please keep the original box in case you might need to return or replace the product.

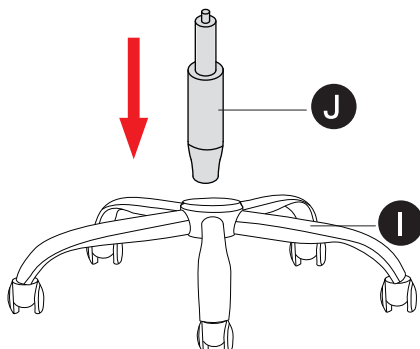
## 1 Install the base.



## 2 Insert the casters.

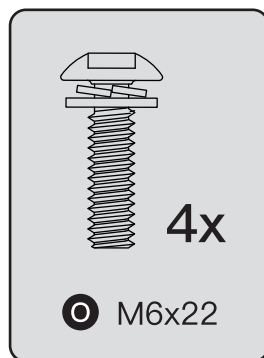
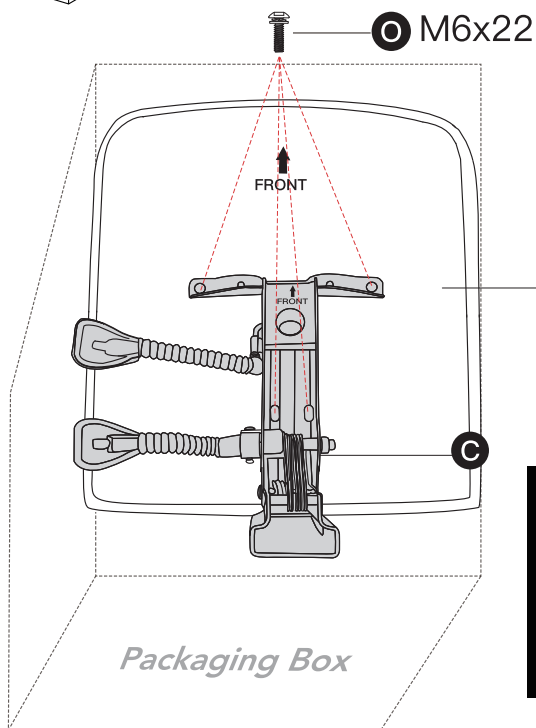
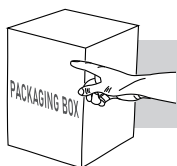


### 3 Install the gas lift.



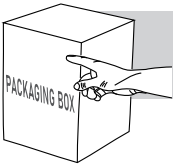
### 4 Install the mechanism.

(For easy installation, place the SEAT on top of the packaging box.)



#### Attention

DO NOT tighten the screws completely until they are all fixed in the correct position.

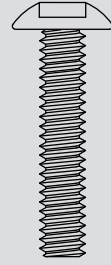
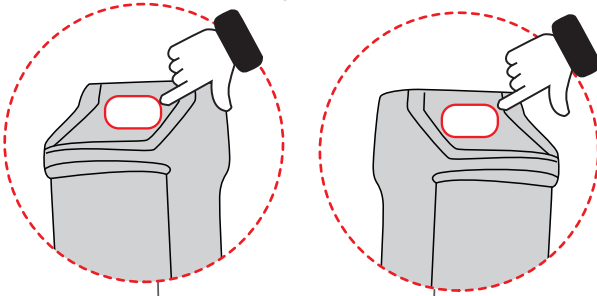


## 5 Install the footrest rails.

(For easy installation, place the SEAT on top of the packaging box.)

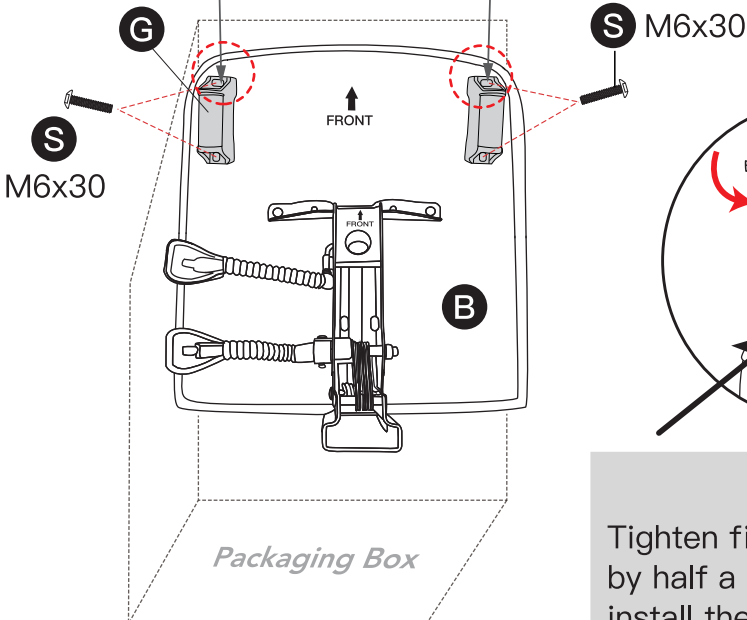
### Step1

Straight screw holes in the same direction.



4x

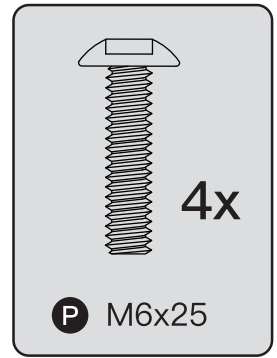
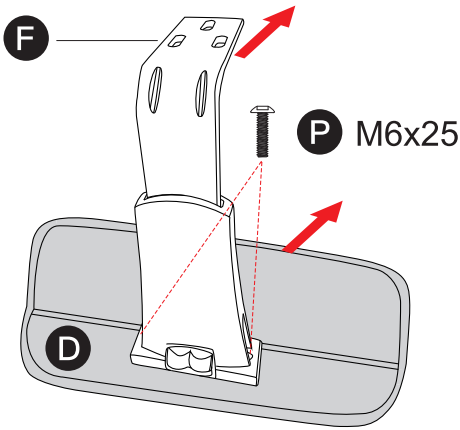
S M6x30



### Step2

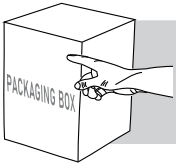
Tighten first, then loosen by half a turn to smoothly install the footrest.

**6** Install the armrest as shown below.  
The same with another one.



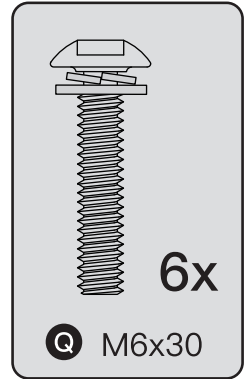
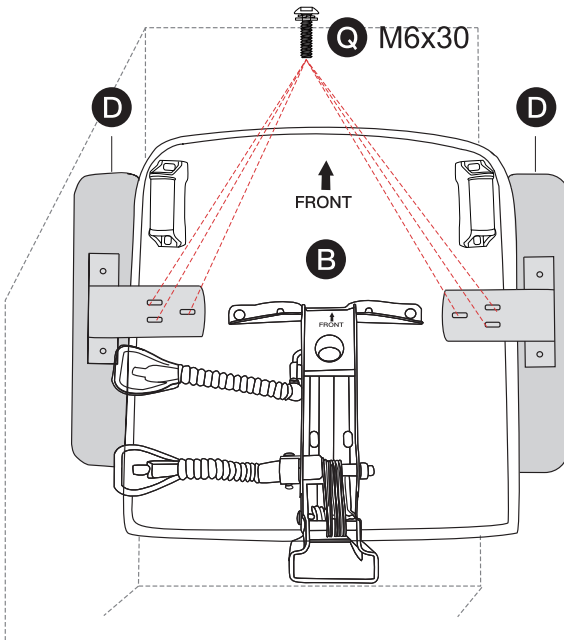
**Note:**

Place armrest covers and armrest iron frame on the same side as shown in figure for installation.



**7** Install the armrests on the seat.

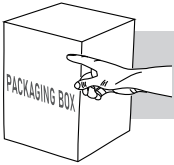
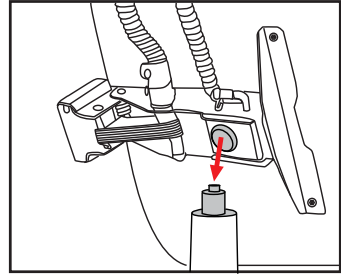
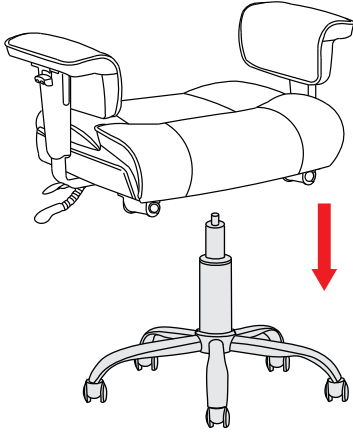
(For easy installation, place the SEAT on top of the packaging box.)



**Note:**

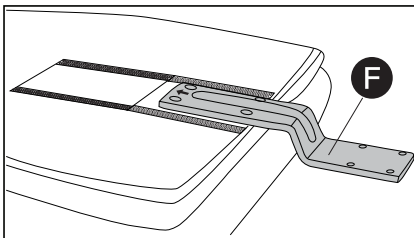
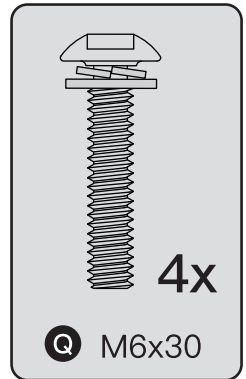
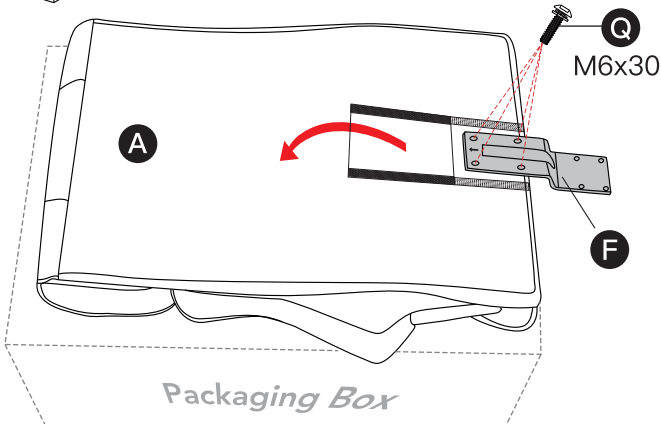
- Place the armrest covers close to the seat.
- DO NOT tighten the screws completely until they are all fixed in the correct position.

**8** Place the seat on the gas lift.



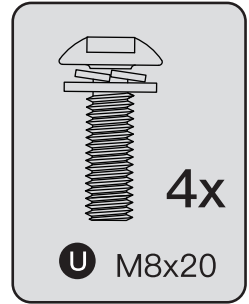
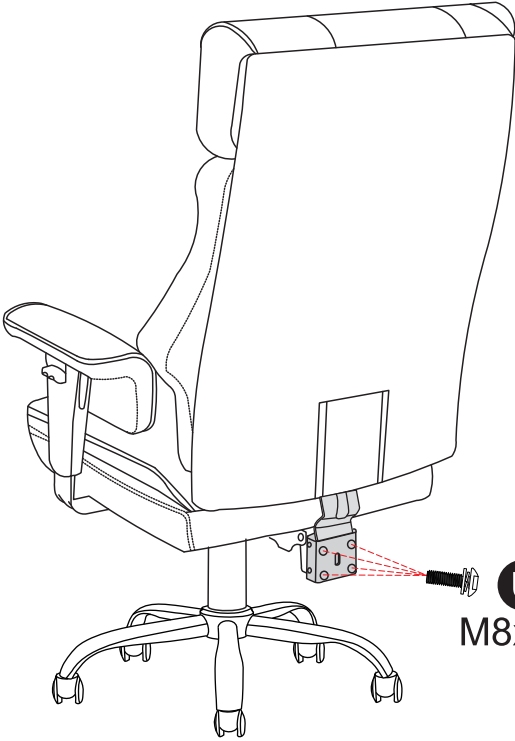
**9** Install the connector on the chair back.

(For easy installation, place the BACK on top of the packaging box.)

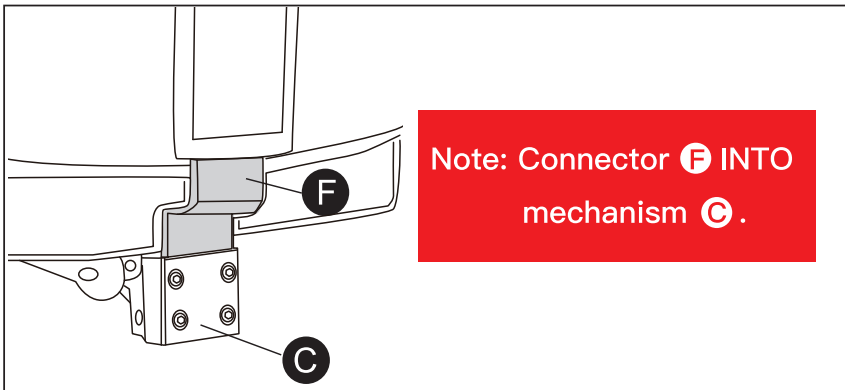


**\*** Note that the direction of the connector.

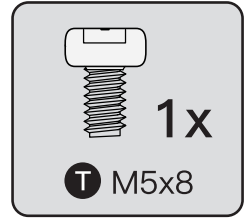
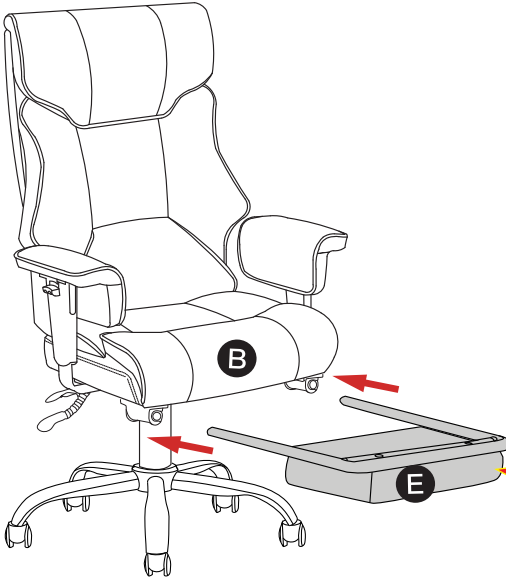
**10** Install the chair back on the rear end of the mechanism.



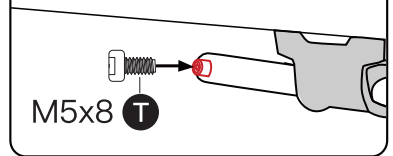
**U**  
M8x20



**11** Install the footrest.



Only one side of the footrest has screw hole.

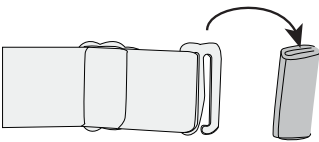


**NOTE:**

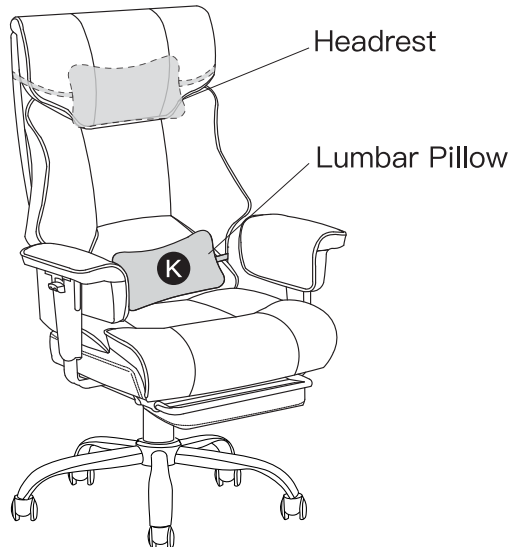
Please refer to the diagram for the front and back sides and proceed with caution during installation.

**12** Install the pillow. Complete.

**\* Length-adjustable belt**



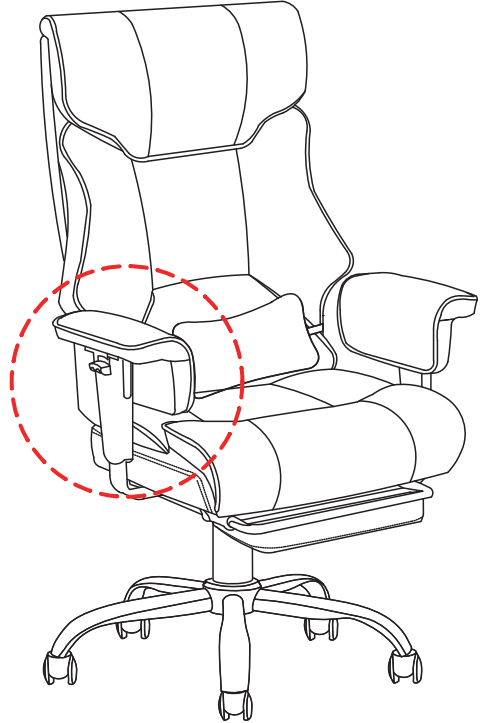
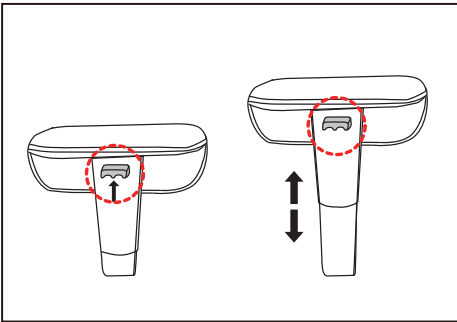
It can be used as a headrest or a lumbar pillow as as your preference.



# 03 Functions Display

Please read the function introduction carefully.

## A Height Adjustable Armrests



Press and hold the button while pulling upward to adjust the height.

### Note:

When adjusting the height of the armrests, slight gaps or light wobbling may occur.

## B Chair Height Adjustment



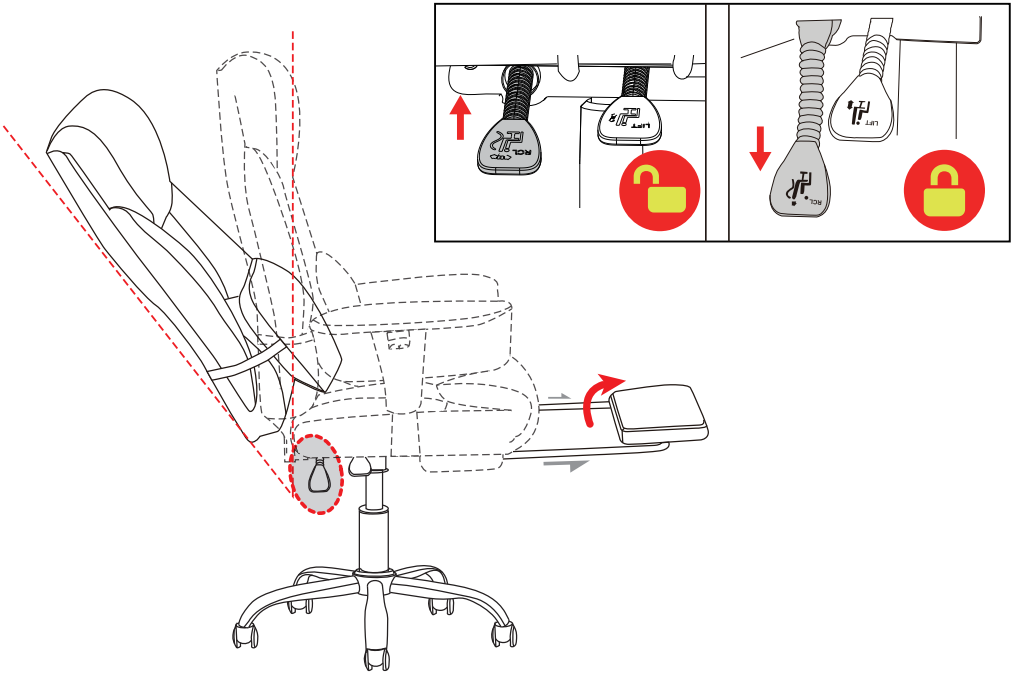
**Cylinder Fixed Base “LIFT”** You can adjust the seat height by using the lever.

- While sitting in the center of the seat, pull the “LIFT” lever on the lower right side of the seat upward to lower the seat.
- While lifting your hips, pull the “LIFT” lever on the lower right side of the seat upward to raise the seat.

**⚠ Note:**

The height adjustment feature may not work properly immediately after assembly. To activate it, apply pressure to the gas cylinder so that it contacts the base, then sit on the chair a few times to help engage the mechanism.

## **C** Back Recline Function



The reclining function can be adjusted using the “RCL” lever on the cylinder base.

- (1). Sit in the center of the seat and lean back against the backrest.
- (2). Pull the “RCL” lever located at the bottom right of the seat upwards to release the lock and tilt the backrest.
- (3). Press the “RCL” lever downward to lock the backrest at your preferred angle.

### **⚠ Attention**

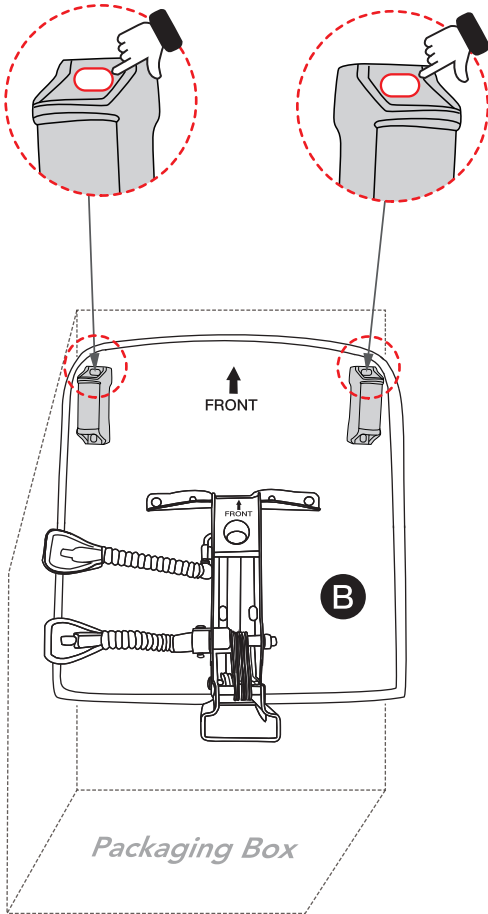
To avoid injury, do not lean back on the backrest before it's locked in place. This could cause the backrest to tilt suddenly. After adjusting the angle to your liking, make sure to press the “RCL” lever downward to securely lock it.

# 04 Frequently Asked Questions

Q: Isn't the footrest sliding smoothly?

A: Adjust the footrest rails.

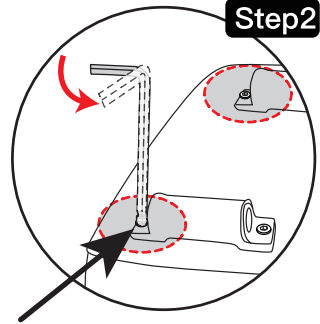
## Method 1



### Step1:

Ensure that the straight screw holes are in the same direction.

### Step2:



### Step2:

Tighten first, then loosen by half a turn to smoothly install the footrest.

## Method 2

Method 1 didn't work? Try applying a small amount of lubricating oil (Not included) evenly on the footrest rods as shown to make the footrest slide more smoothly.

