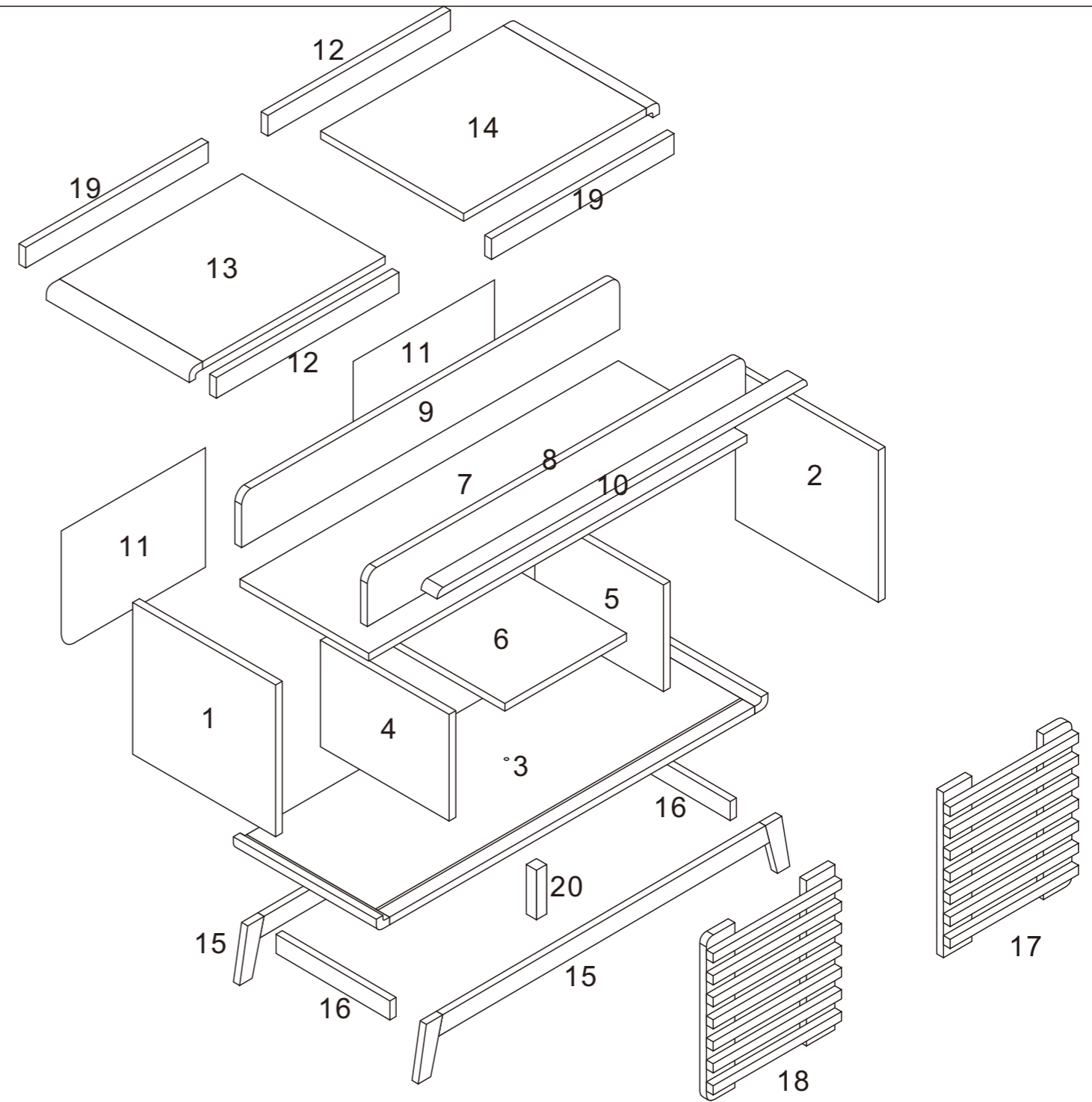
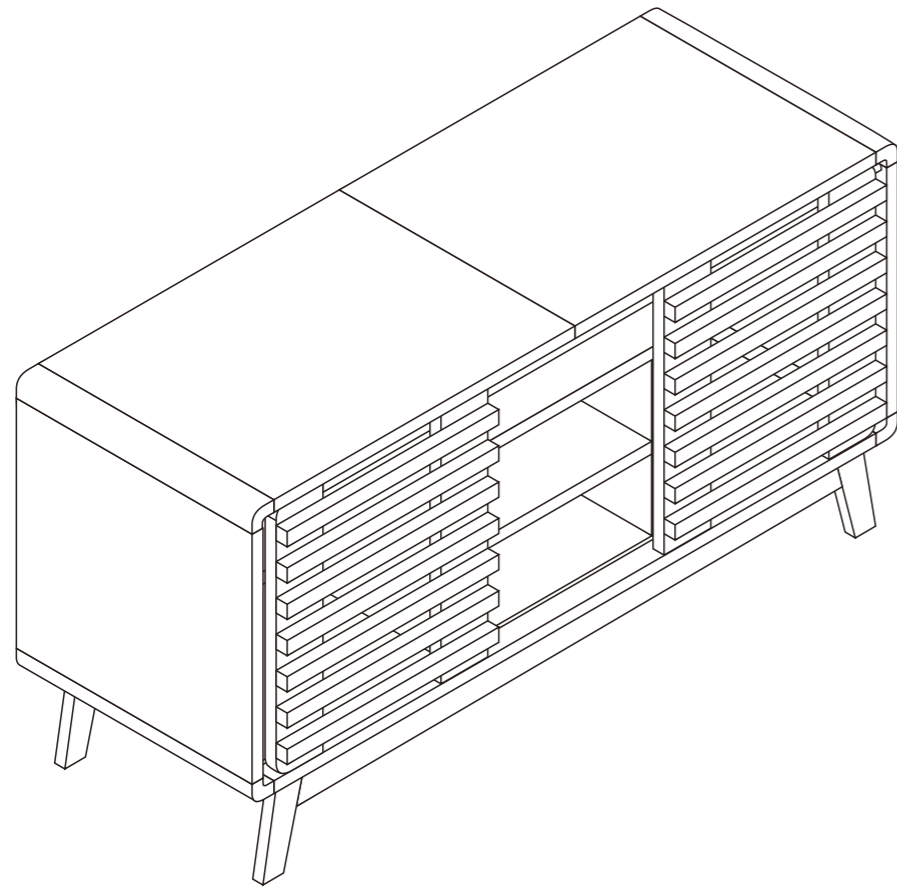

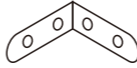
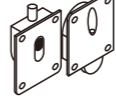
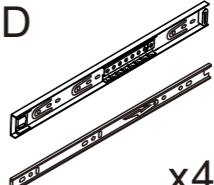














# Assembly Instructions

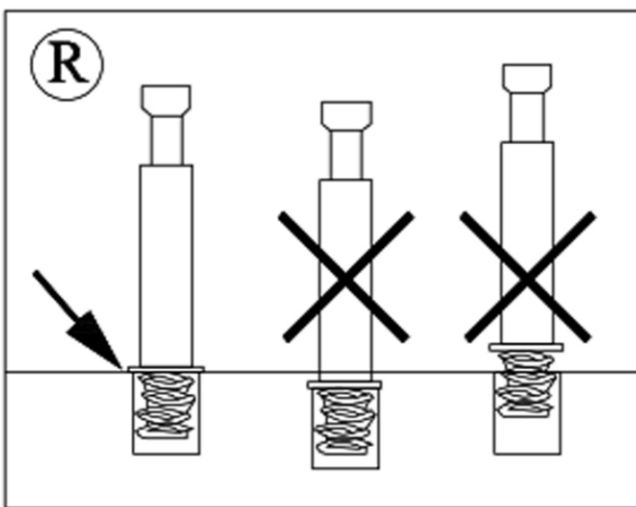
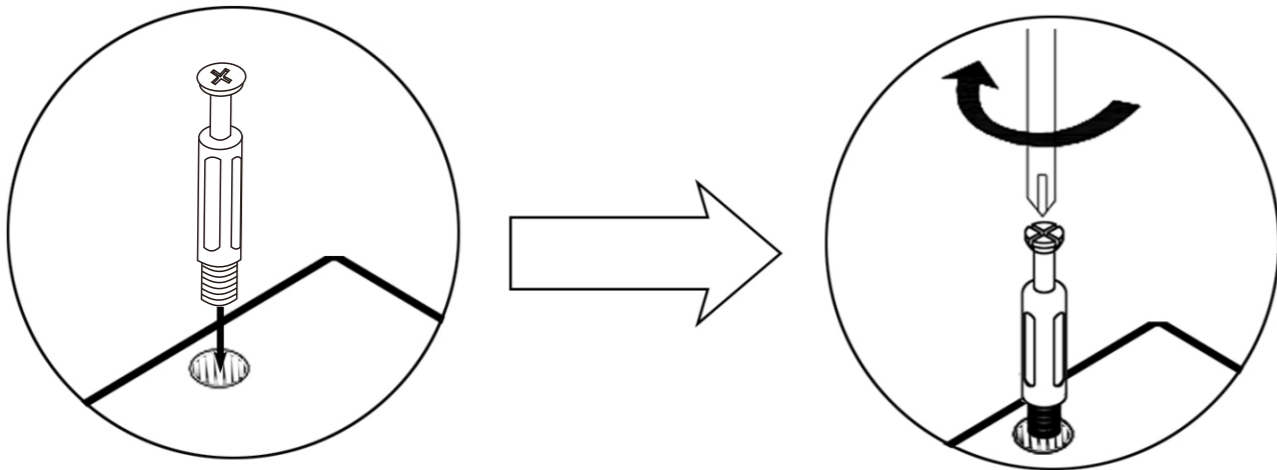


A  x4	B  x4	C  x4	D  x4	E  28mm x8(+1)	F  12mm x8(+1)
G  40mm x22(+1)	H  15mm x22(+1)	I  x8	J  3x14mm x80(+2)	K  x26(+1)	L  x1
M  x1	N  x16	O  x1	P  x1		



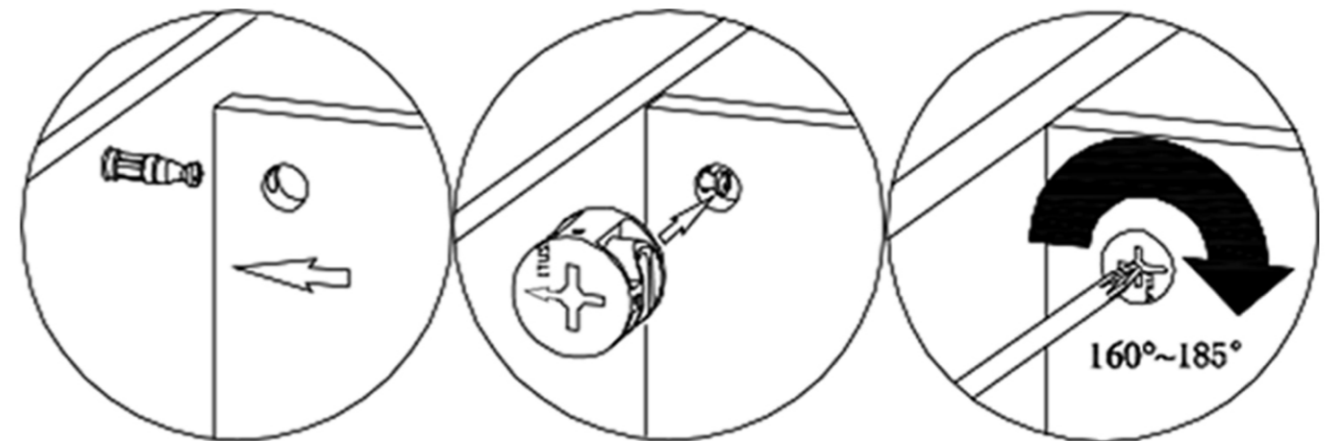
## Hardware installation demonstration

- Please make sure E. G hardware tightened and can't be pulled out



## Hardware installation demonstration

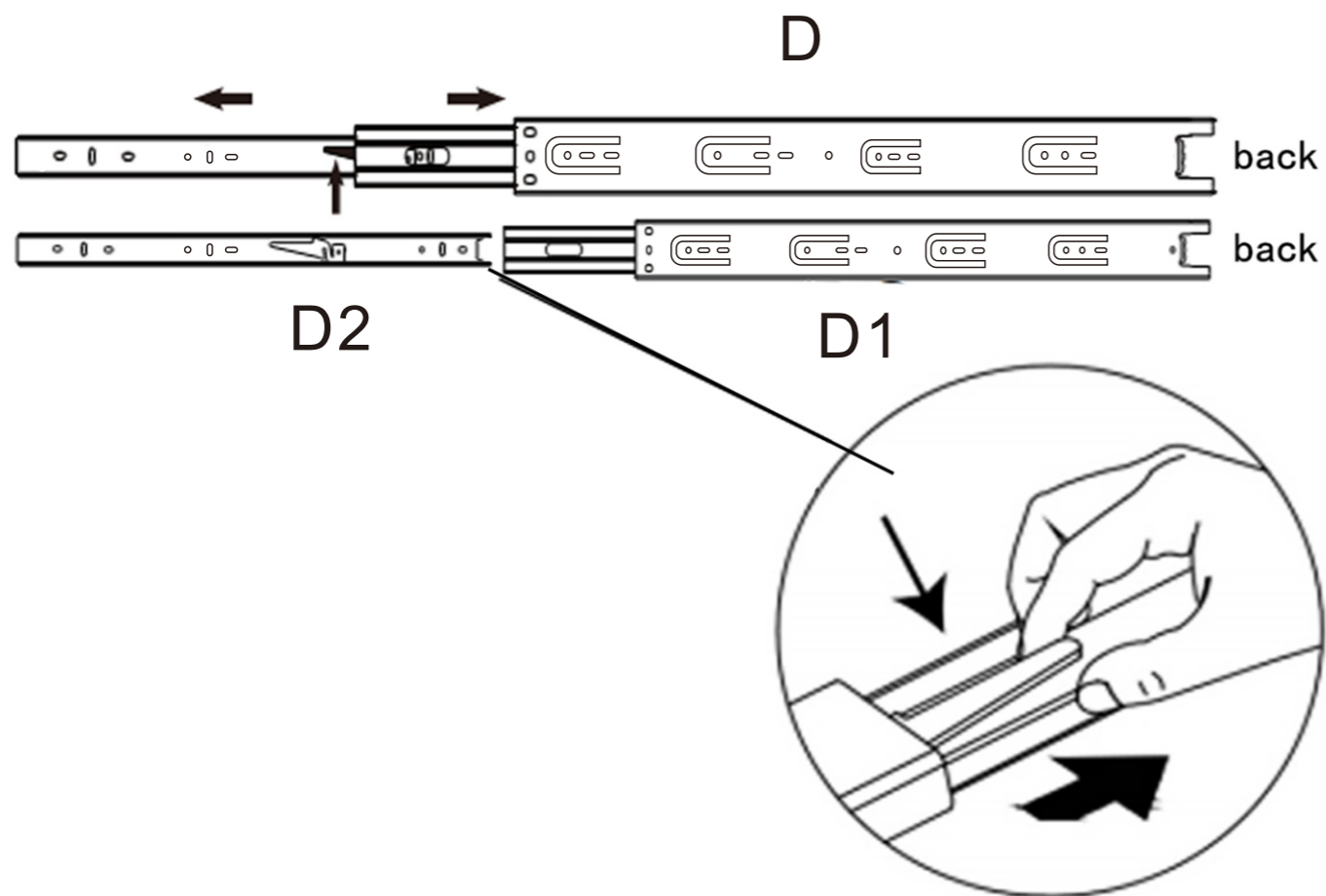
- When inserting cam ensure arrowhead on cam points toward to the hole on the panel edge





## Hardware installation demonstration

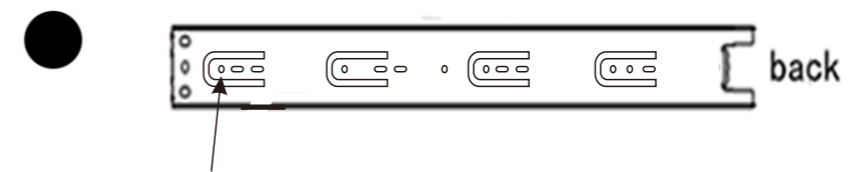
- Before installing the drawer rail, you need to separate the D1 and D2 first.



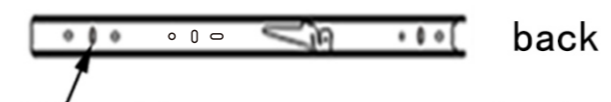
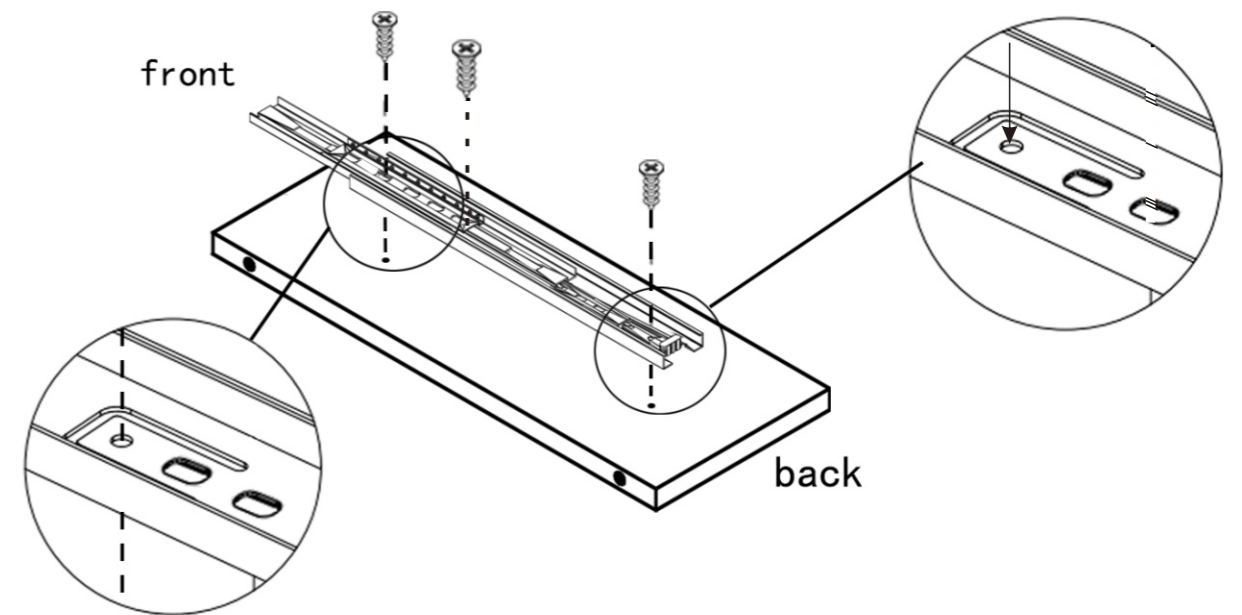
Warm Reminder: Press it and split



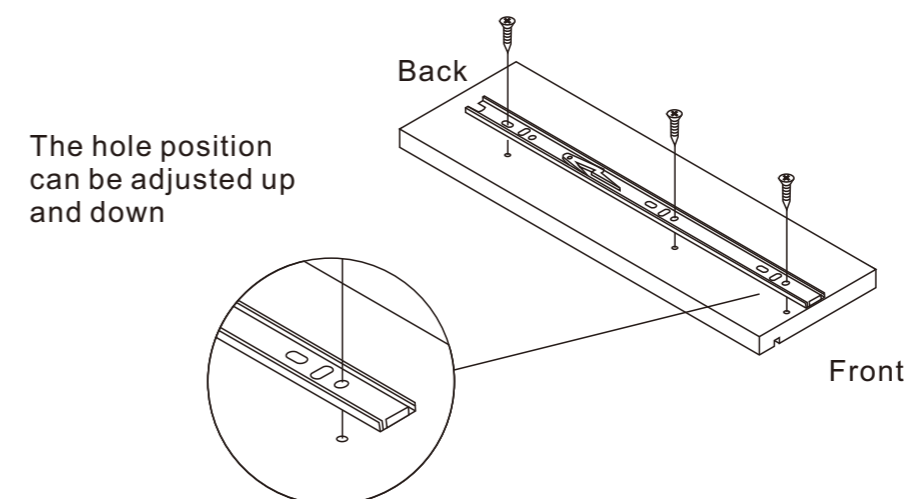
## Hardware installation demonstration



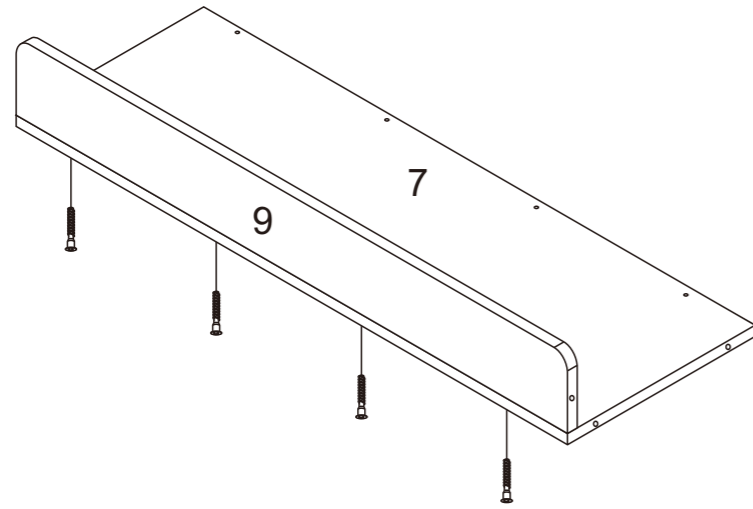
The first screw hole should corresponded with the board location hole




The first screw hole should corresponded with the board location hole

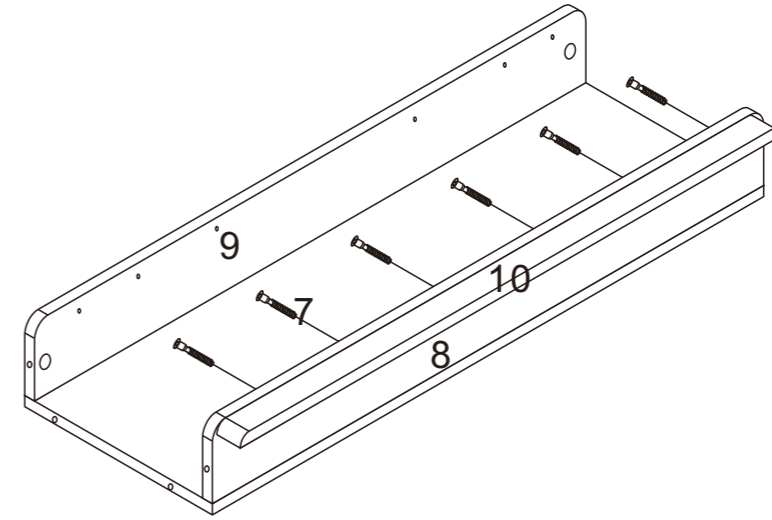



01



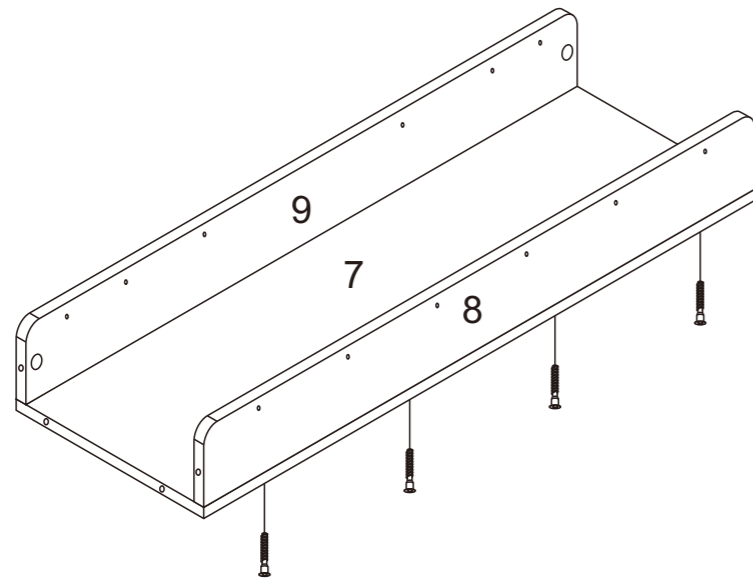
K  
  
 x4


03



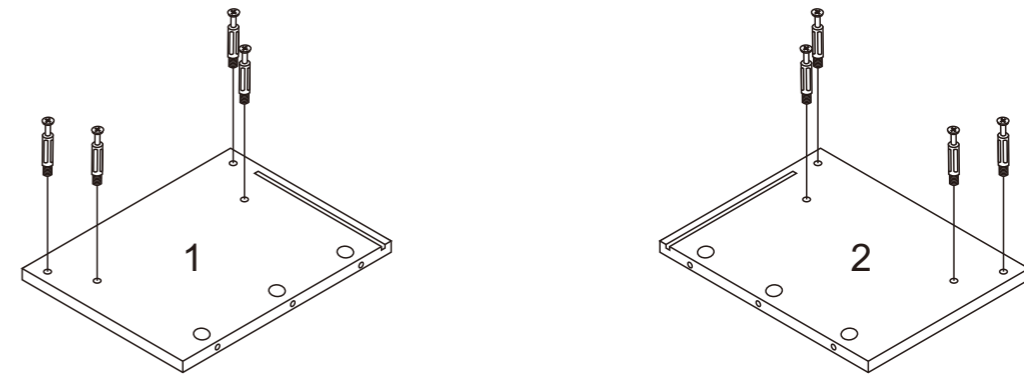
K  
  
 x6


02



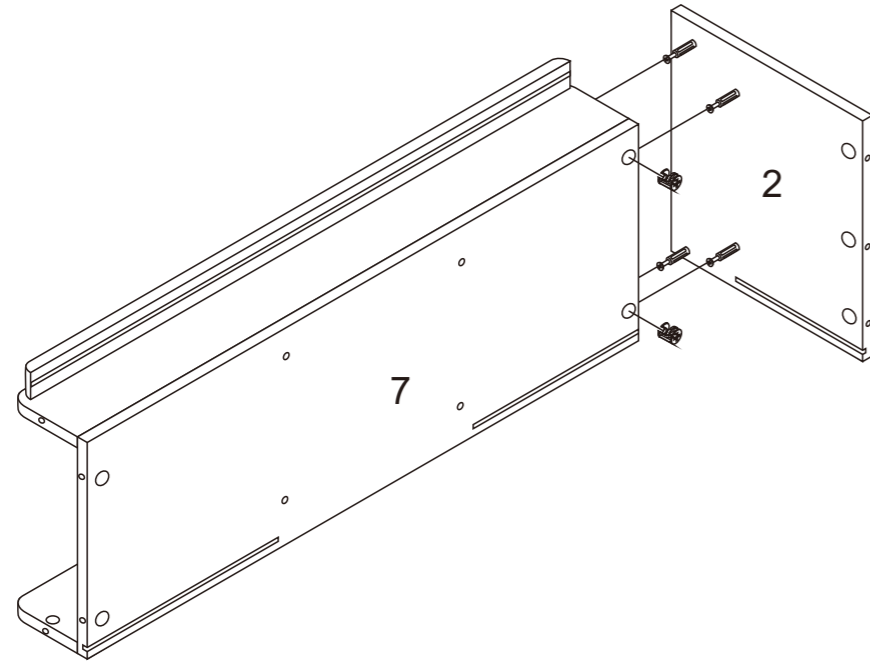
K  
  
 x4

04



G  
  
 40mm  
 x8

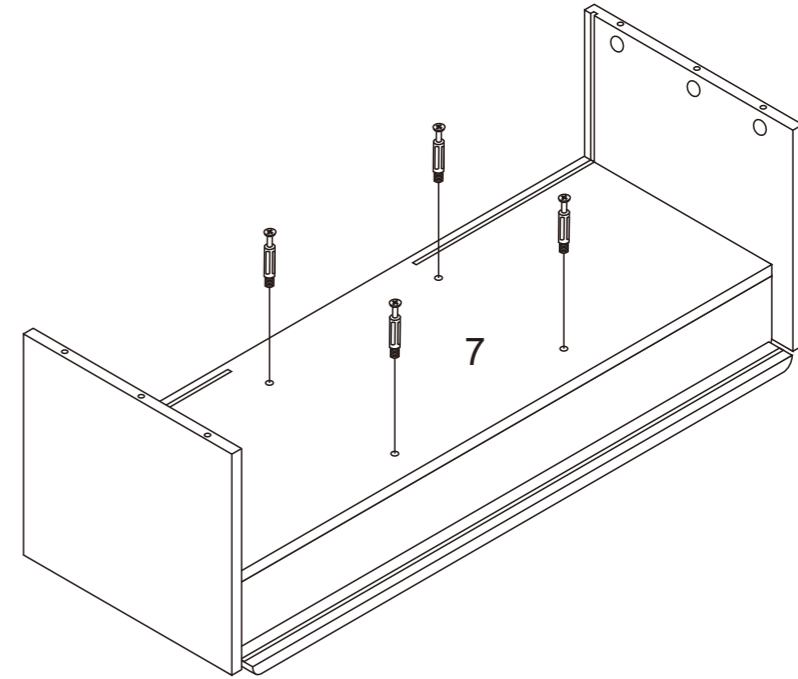
05




H

  
15mm  
x4

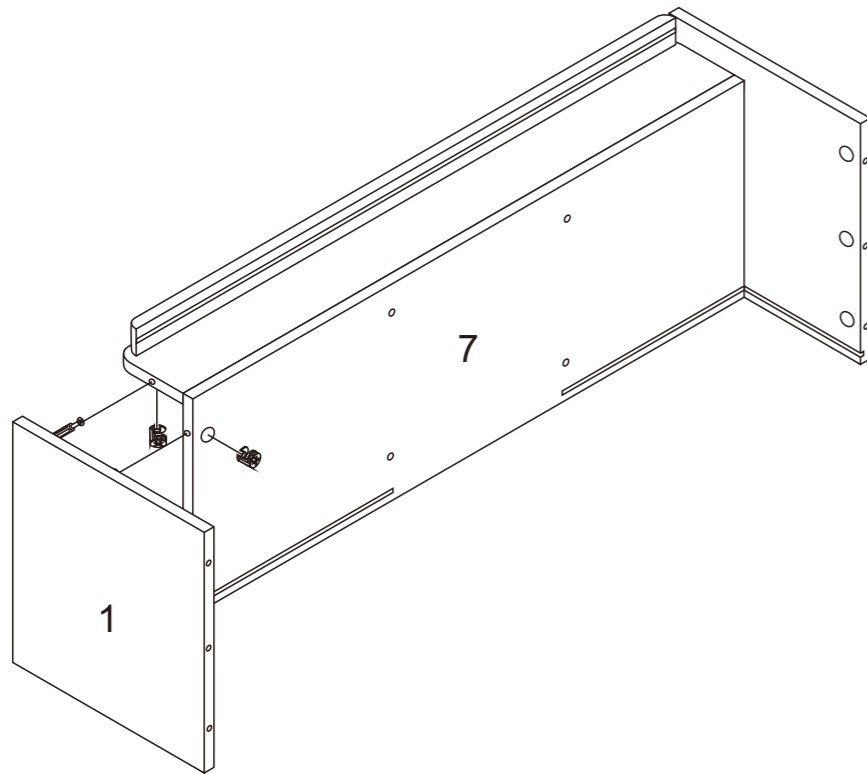
07



G

  
40mm  
x4

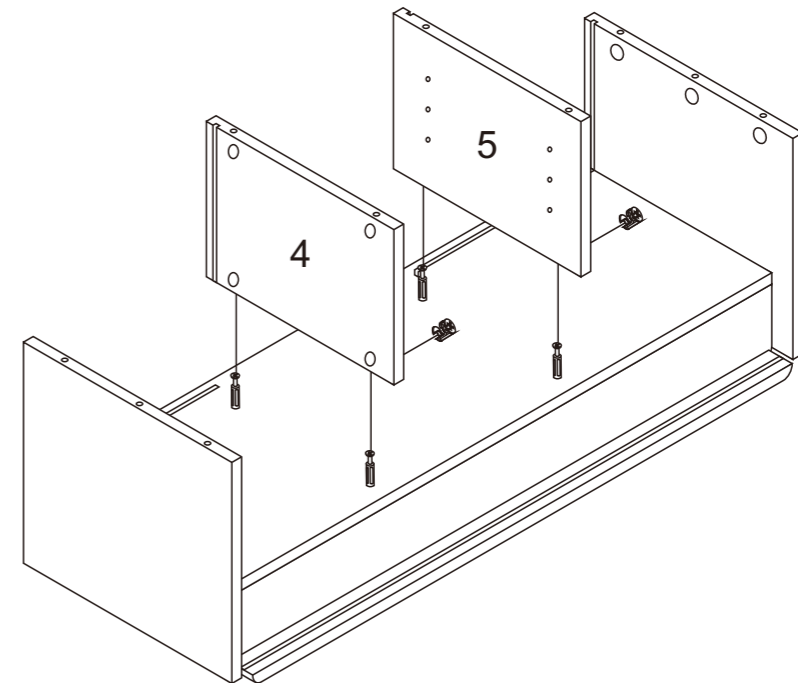
06



H

  
15mm  
x4

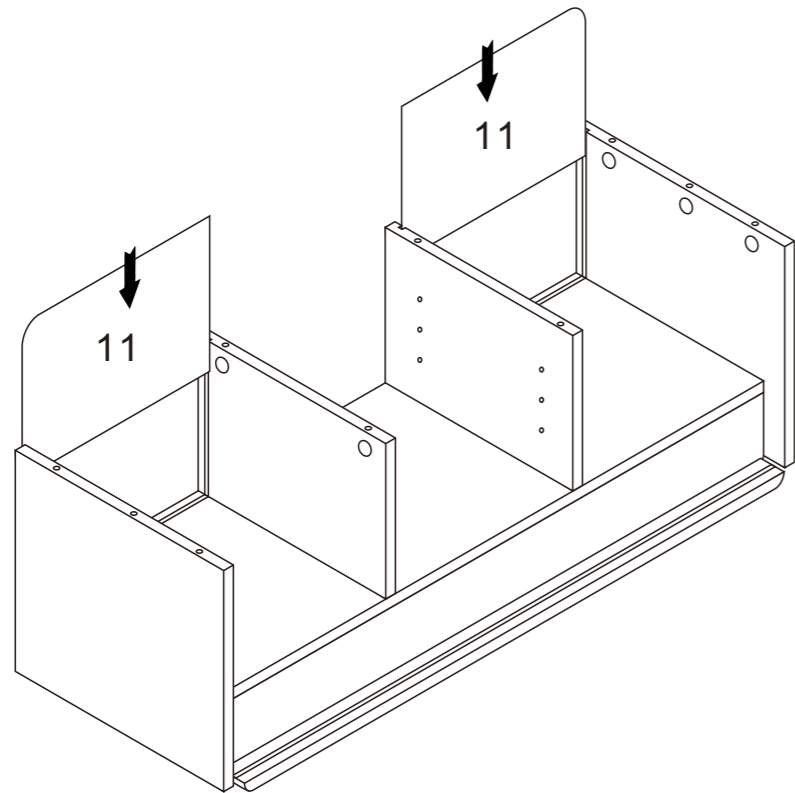
08



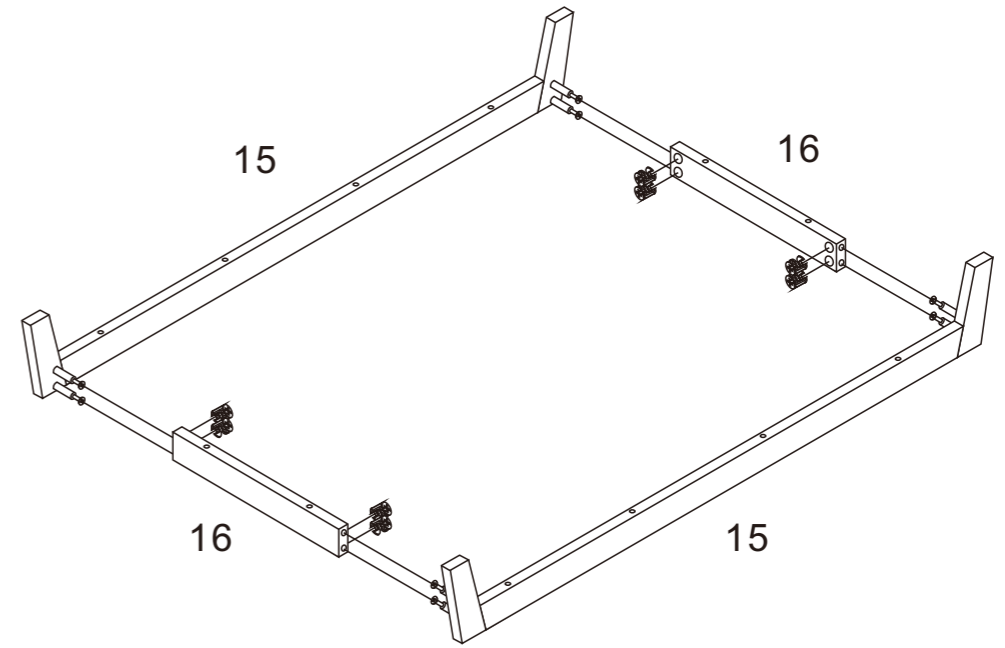
H

  
15mm  
x4

09



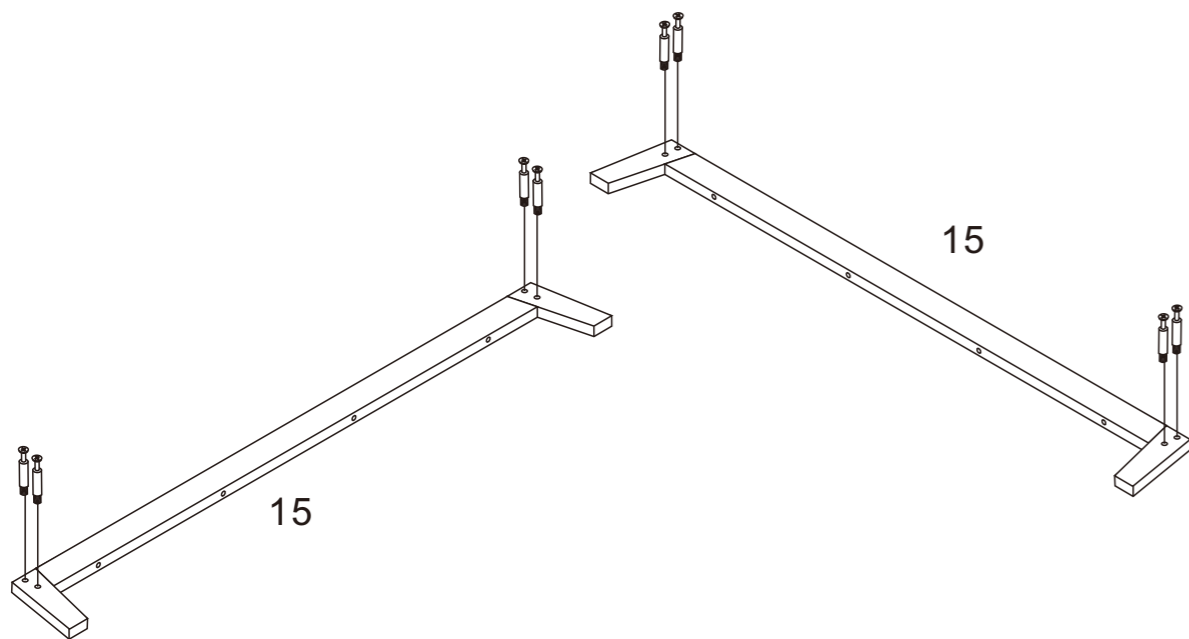
11



F

  
 12mm  
 x8

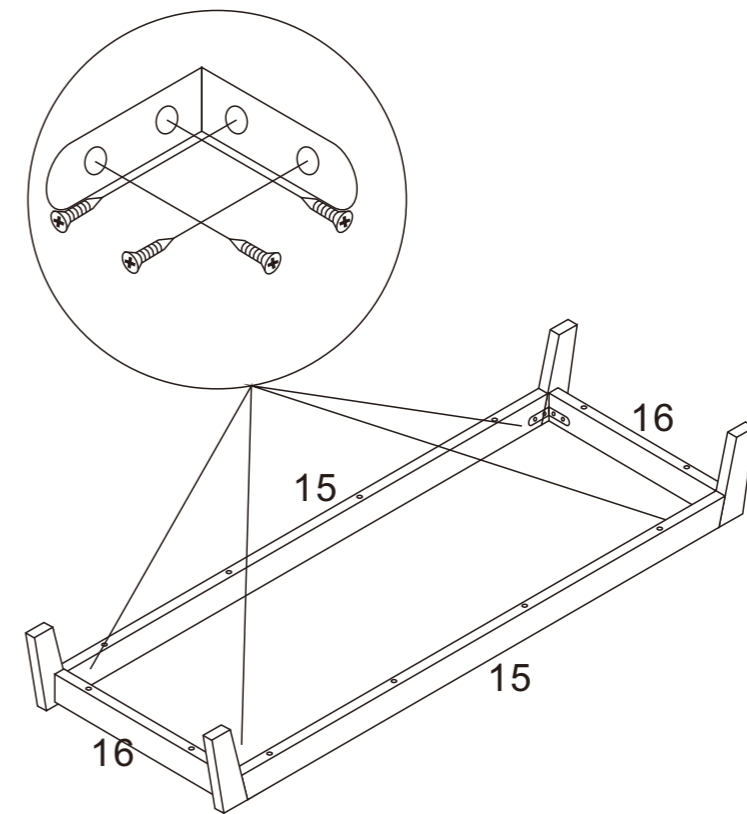
10



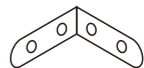
E

  
 28mm  
 x8


12



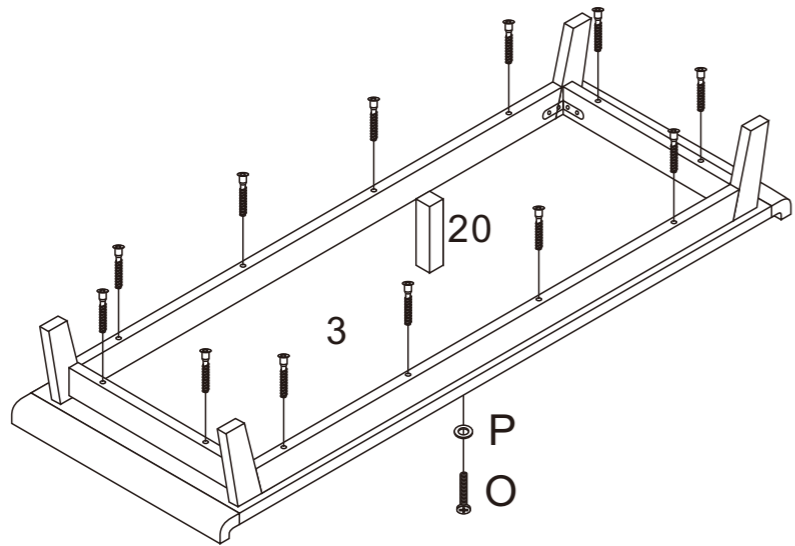
B




  
 x4

J

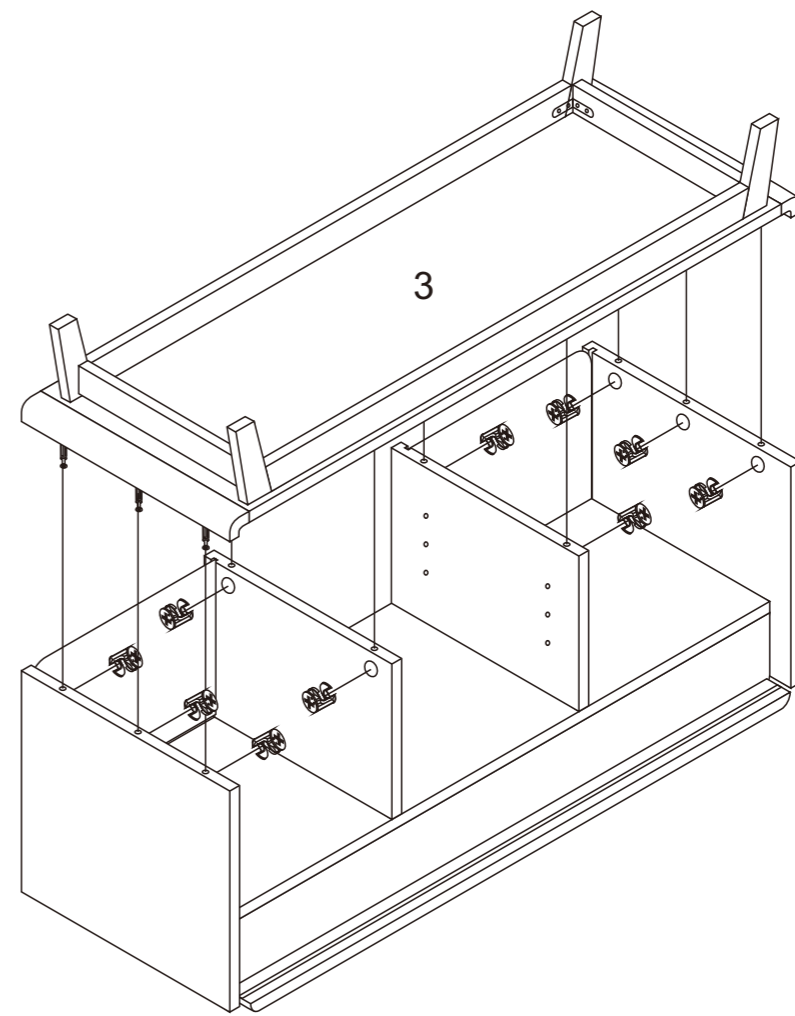
  
 3x14mm  
 x16

13



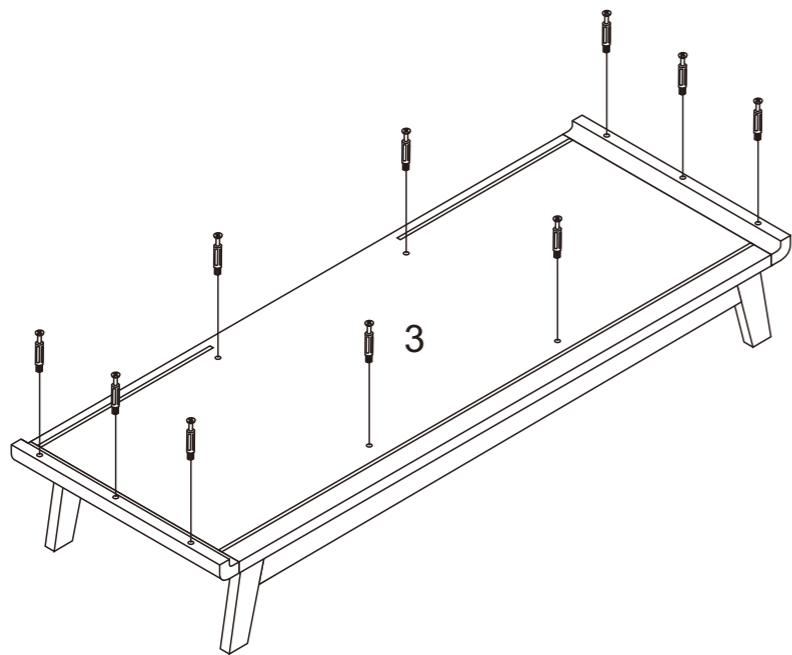
<p>O</p>  <p>x1</p>	<p>P</p>  <p>x1</p>	<p>K</p>  <p>x12</p>
--	--	---


15



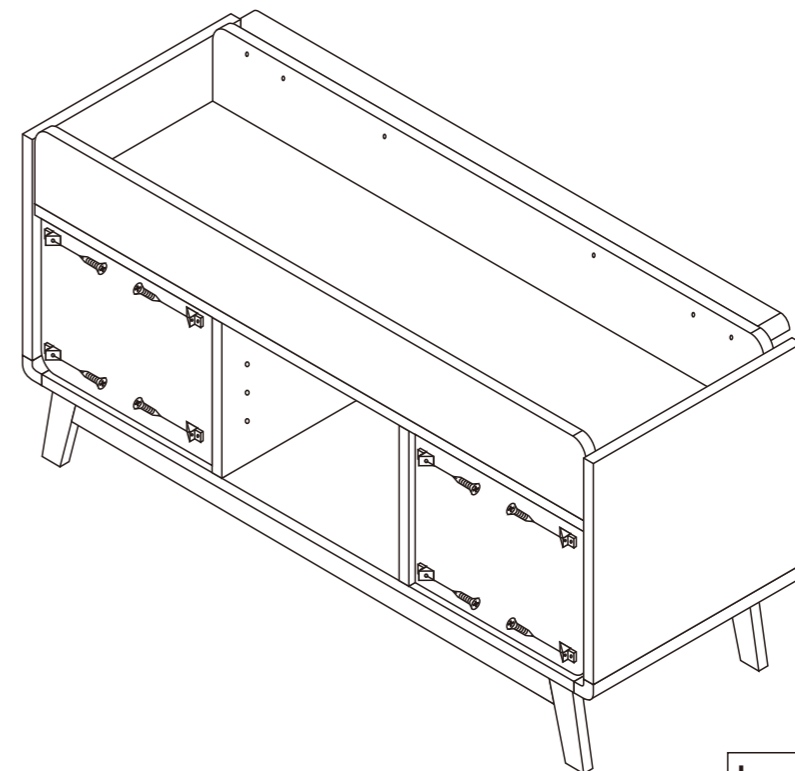
<p>H</p>  <p>15mm x10</p>
--



14



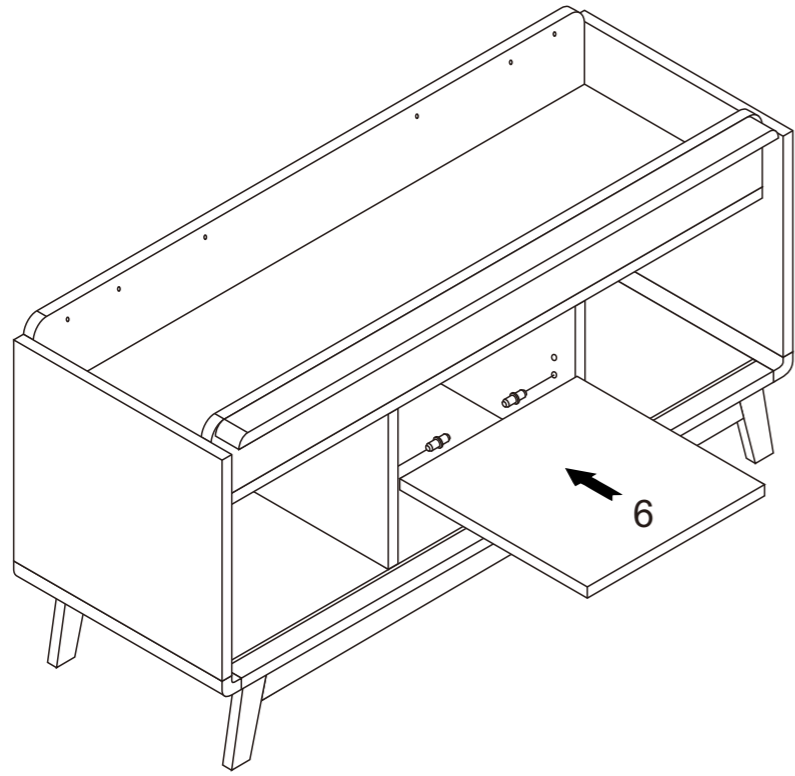
<p>G</p>  <p>40mm x10</p>
--

16



<p>I</p>  <p>x8</p>	<p>J</p>  <p>3x14mm x8</p>
--	---

17

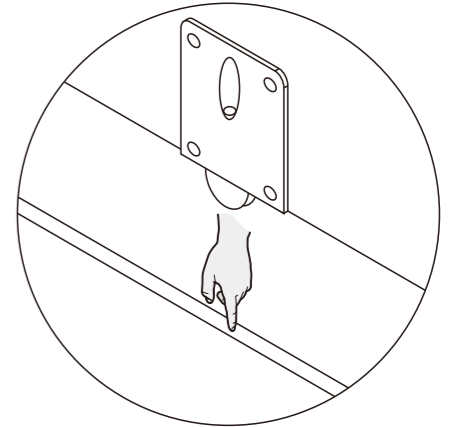
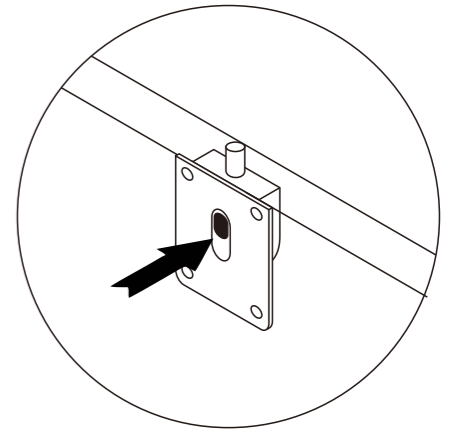
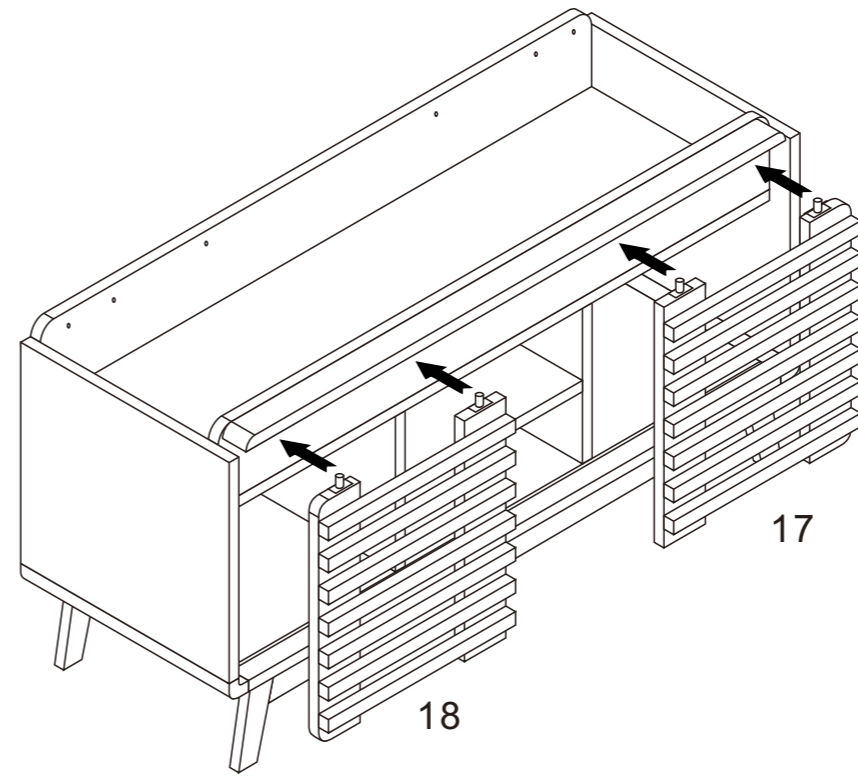


A

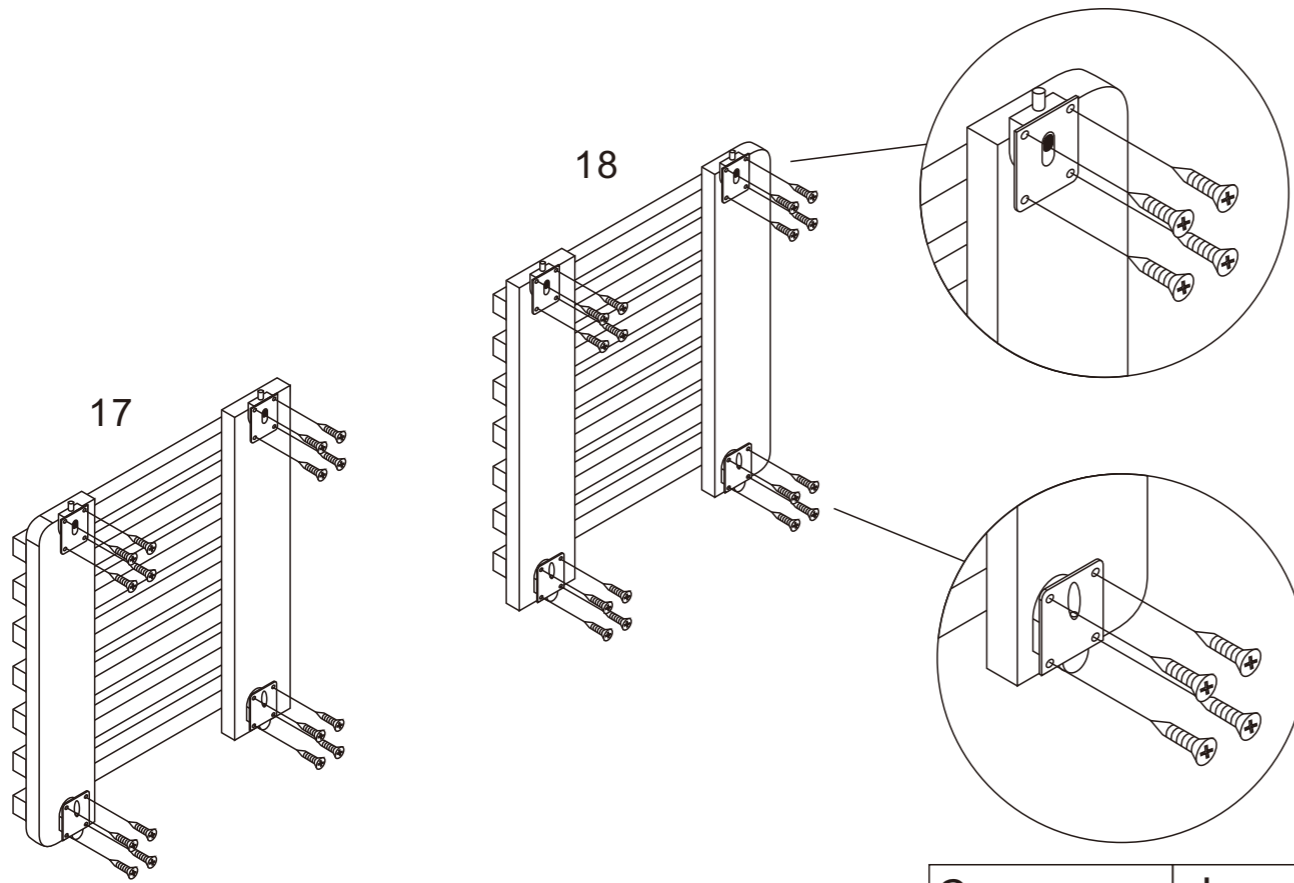


x4

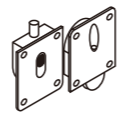
19



18



C



x4

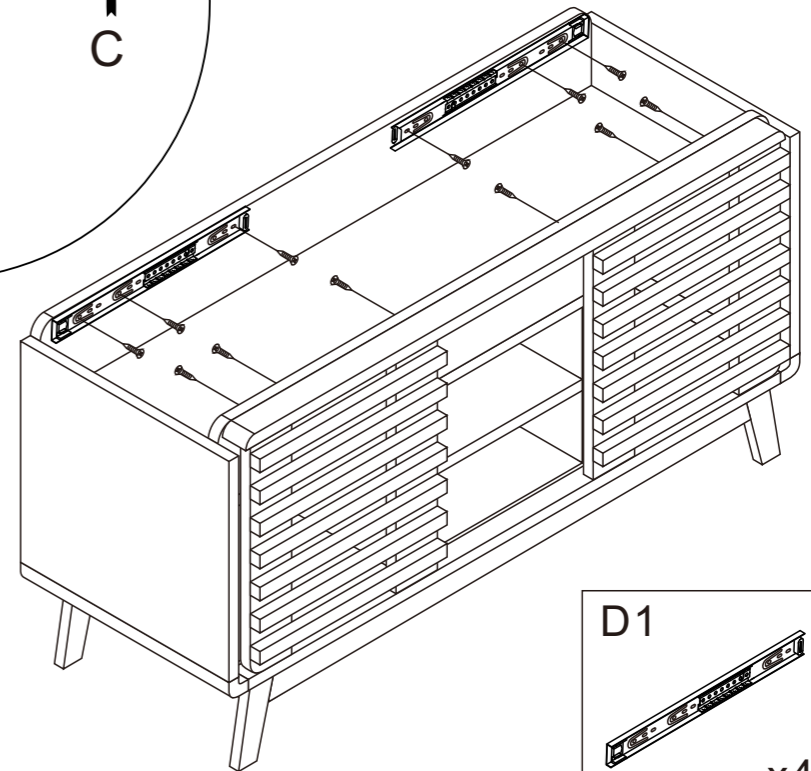
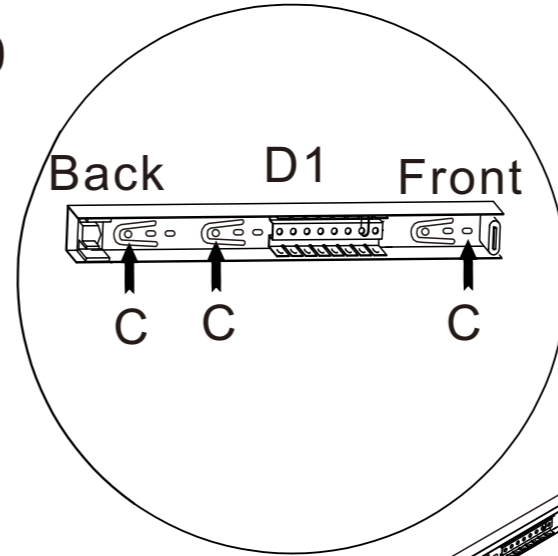
J



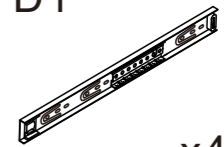
3x14mm

x32

20



D1



x4

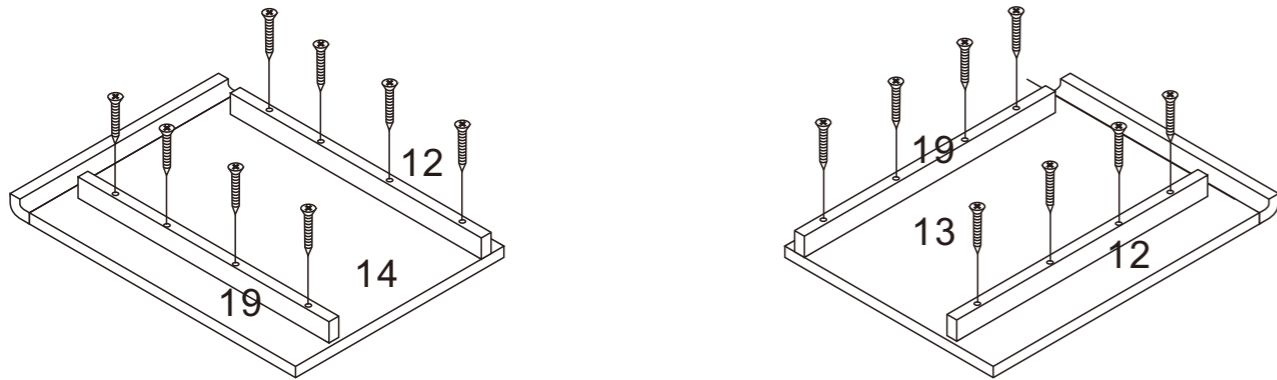
J



3x14mm

x12

21

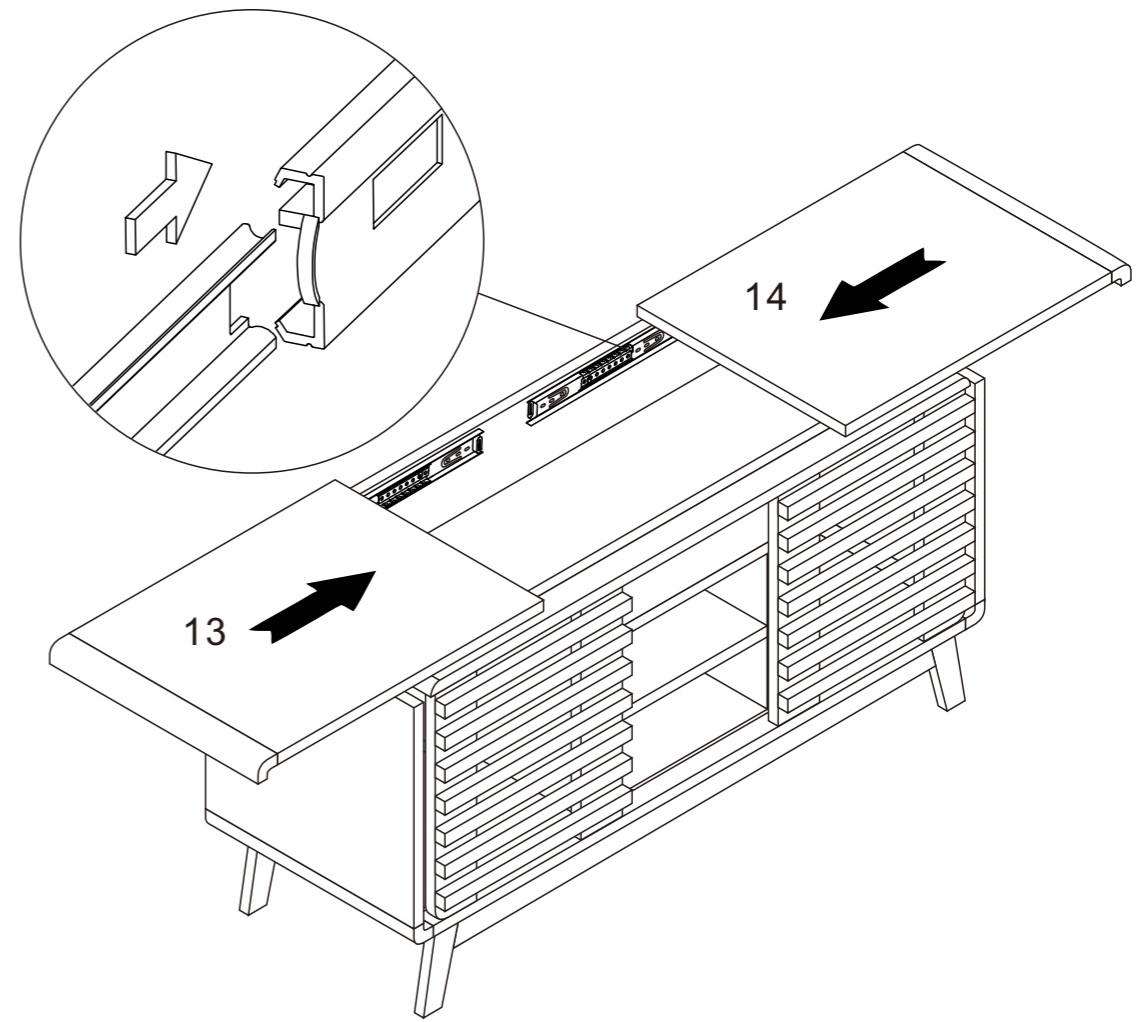


N

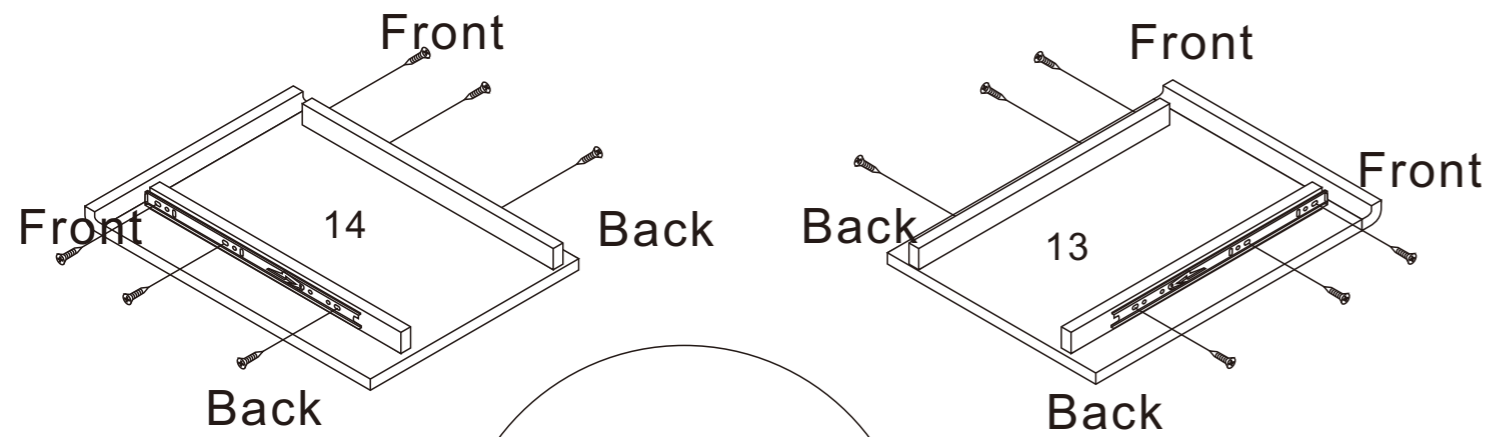


x16

23



22



Front Back



D2



x4

J



3x14mm

x12

24

