
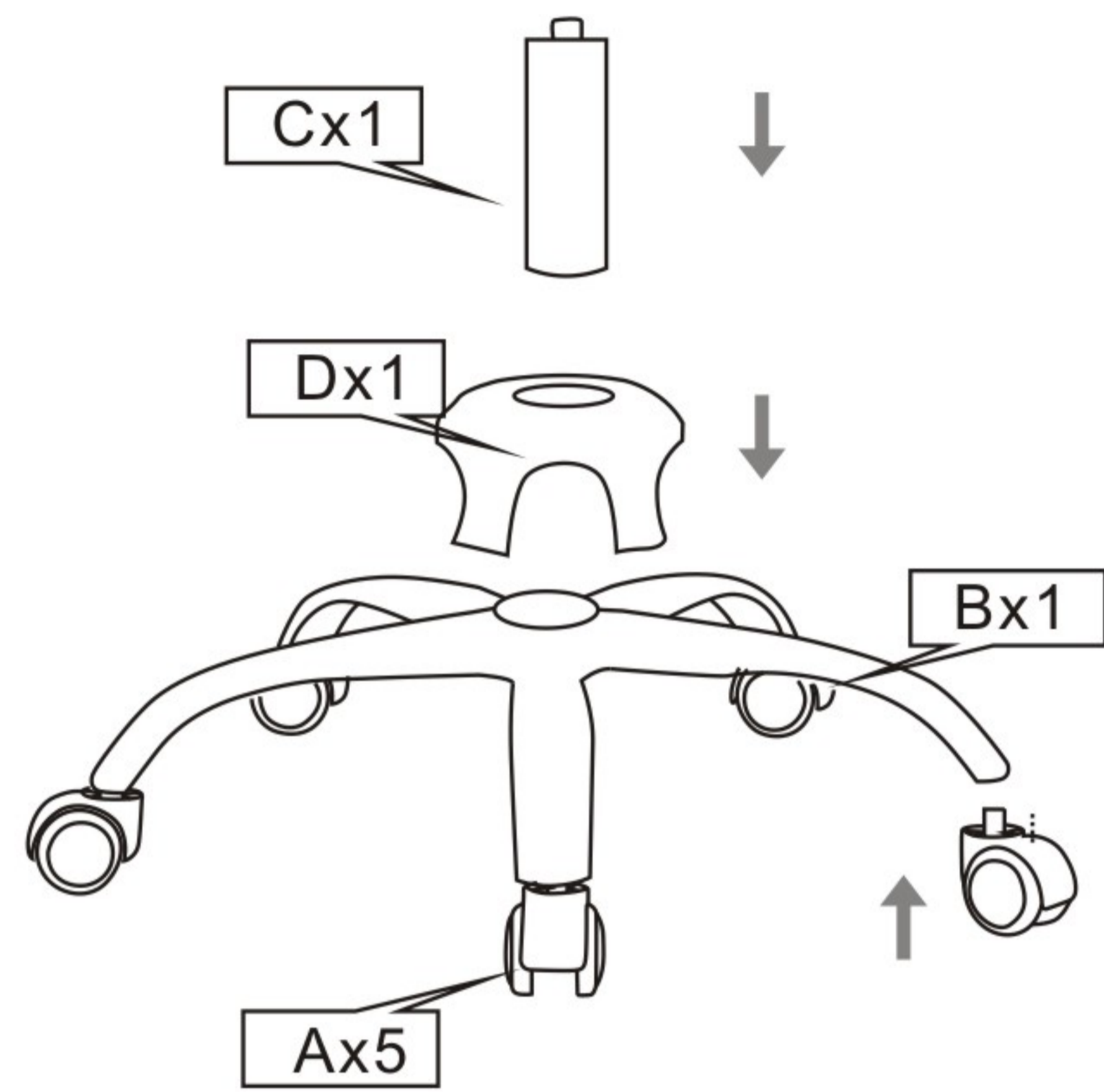
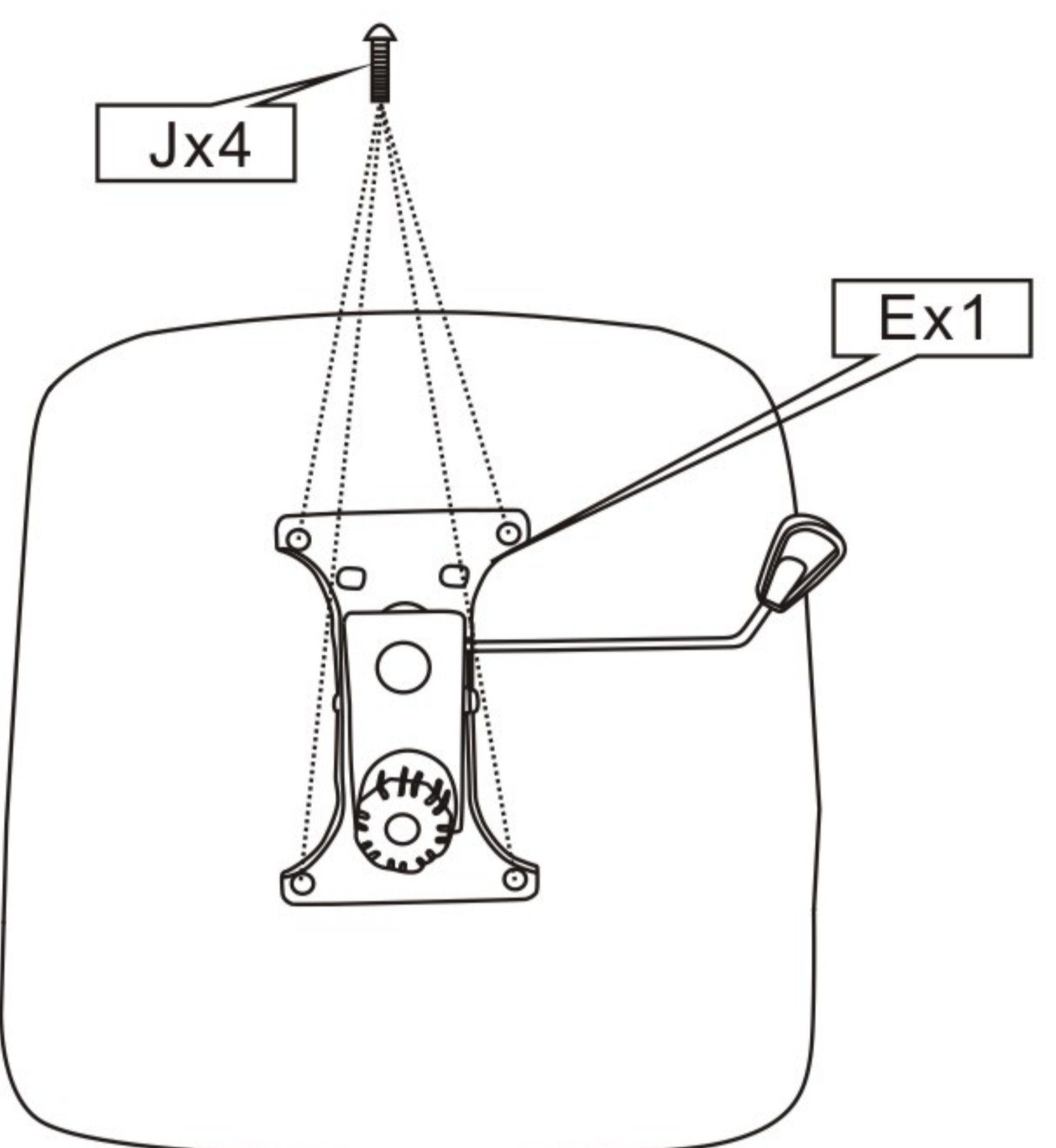
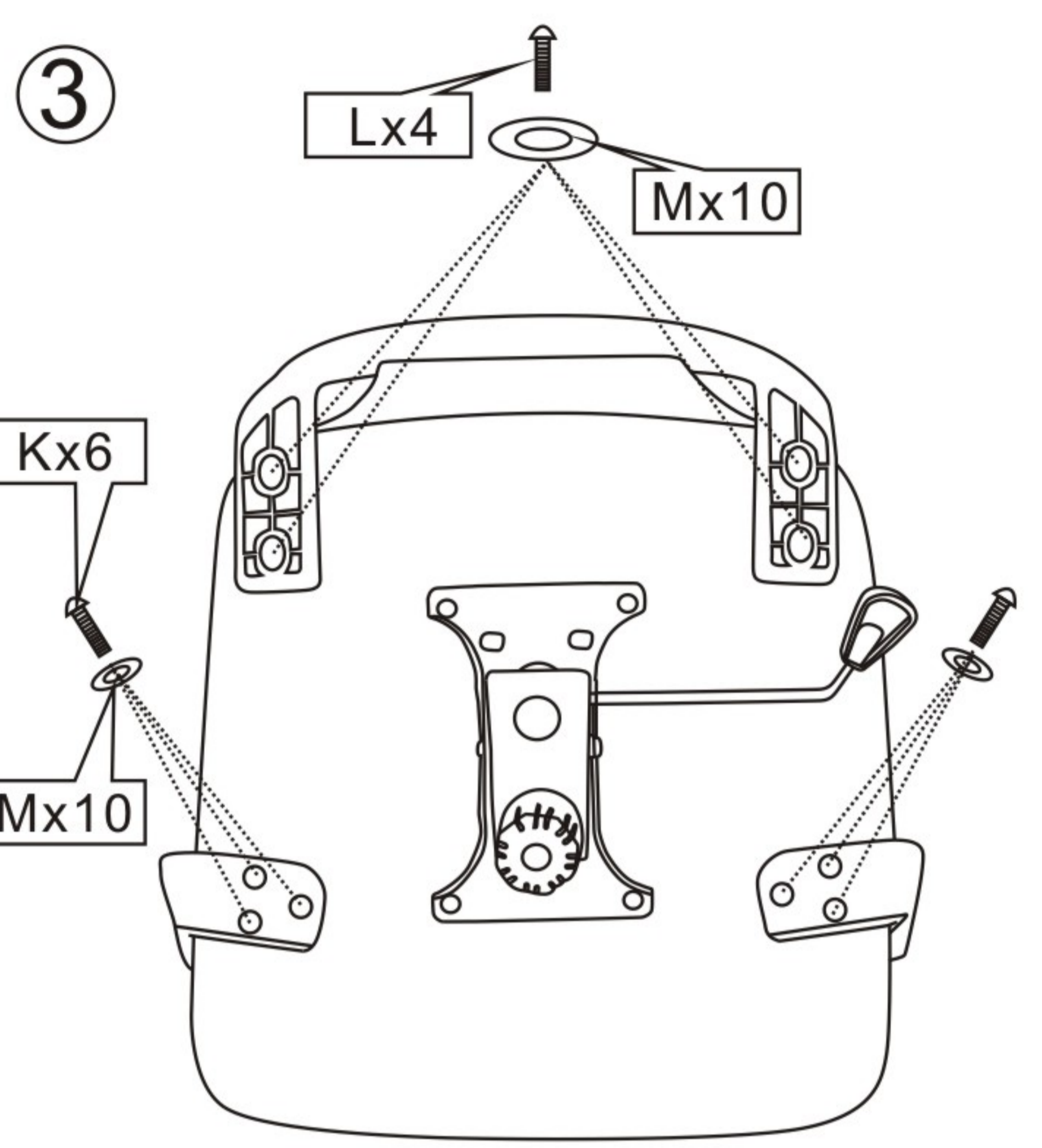
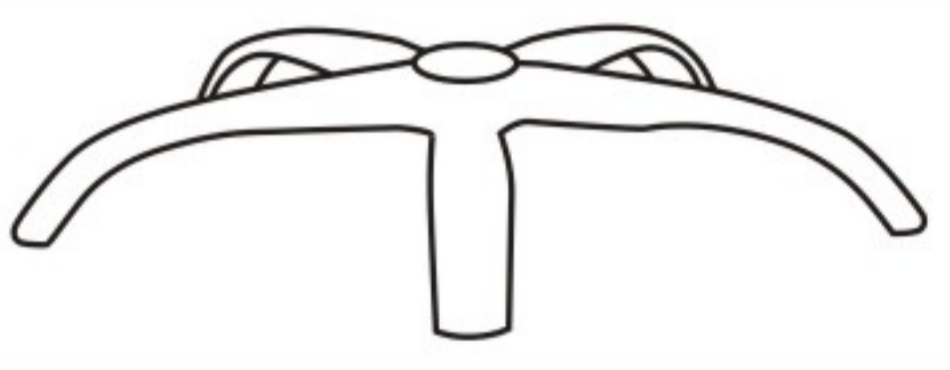


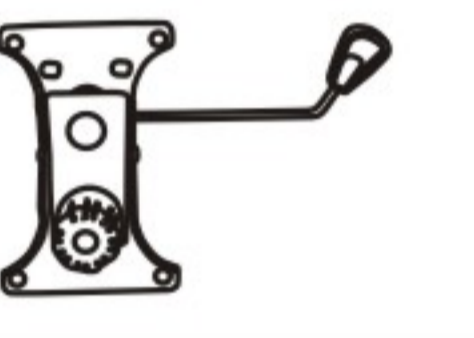



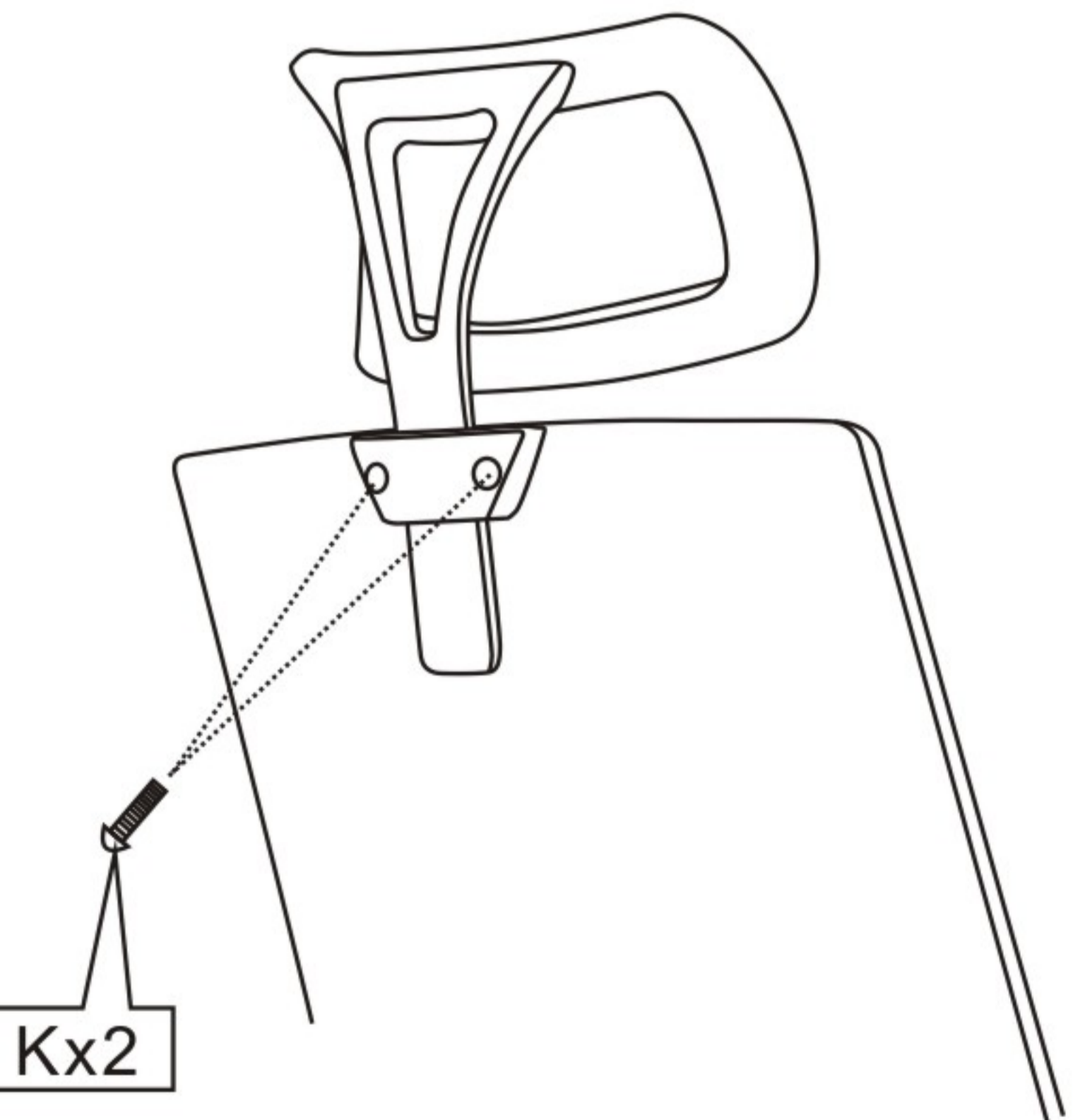
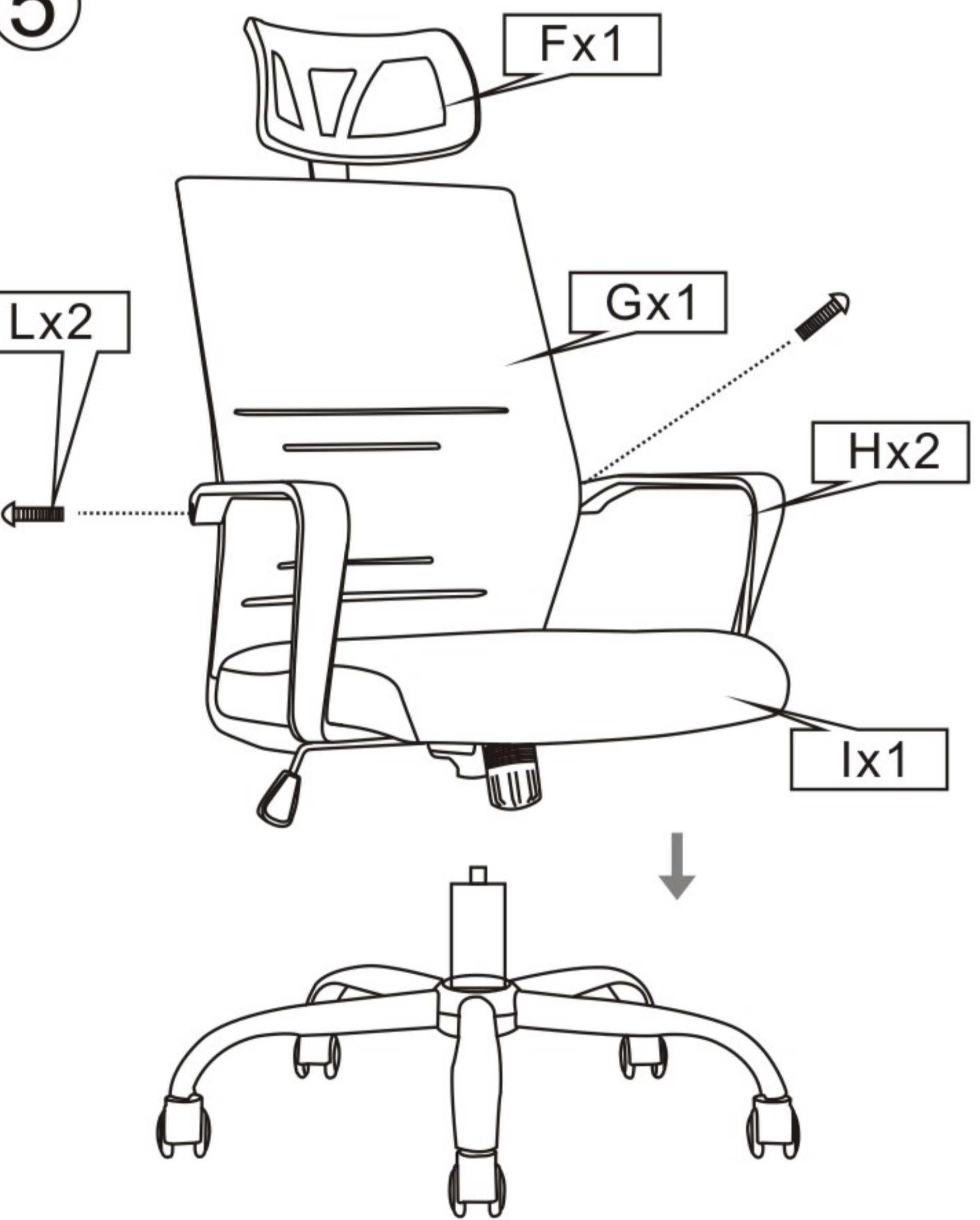



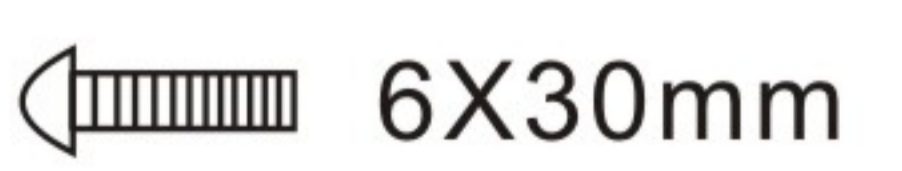
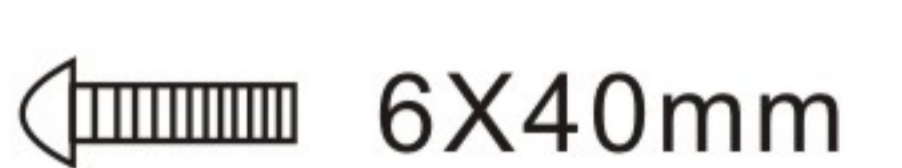



# ASSEMBLY INSTRUCTIONS

Ax5		<p>①</p> 	<p>②</p> 	<p>③</p> 
Bx1				
Cx1				
Dx1				
Ex1				
Fx1				
Gx1				
Hx2		<p>④</p> 	<p>⑤</p> 	<p>⑥</p> 
Ix1				
Jx4				
Kx8				
Lx6				
Mx10				
Nx1	