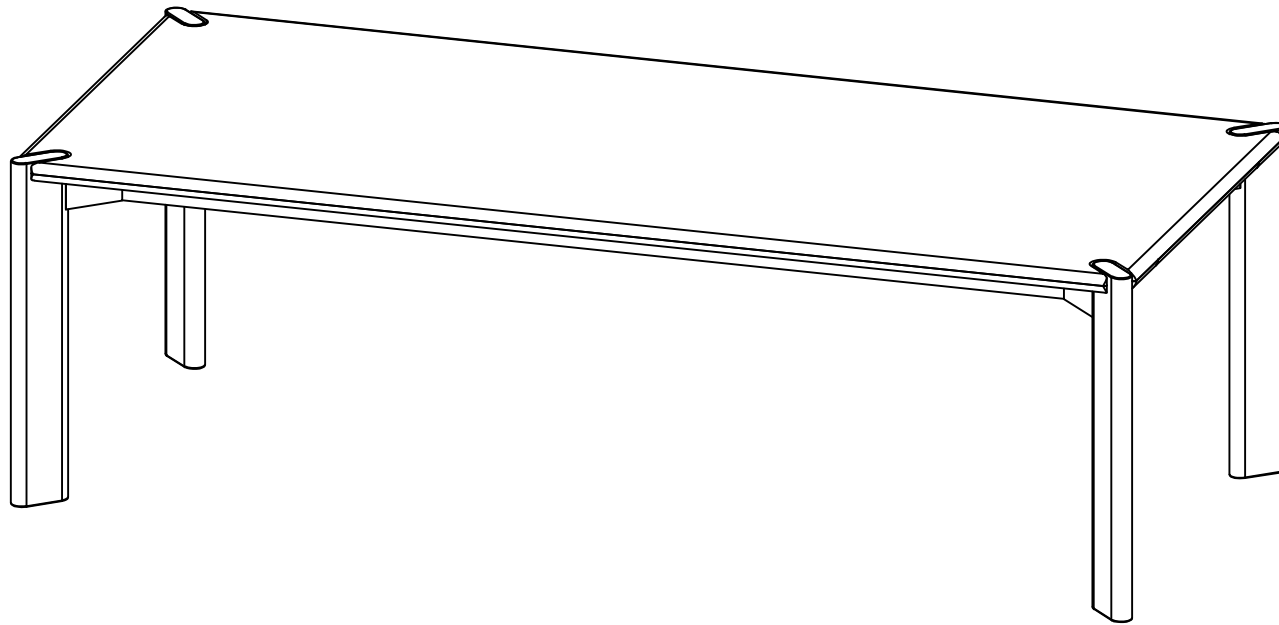


# MOE'S

## Assembly Instructions

Daifuku Dining Table Brushed Natural Oak



BC-1132-24




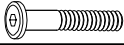




THANK YOU FOR YOUR PURCHASE!

# Parts and Hardware

## PARTS LIST

No.	DESCRIPTION	IMAGE	Q'TY
P1	TOP		1
P2	LEG		4

## HARDWARE LIST

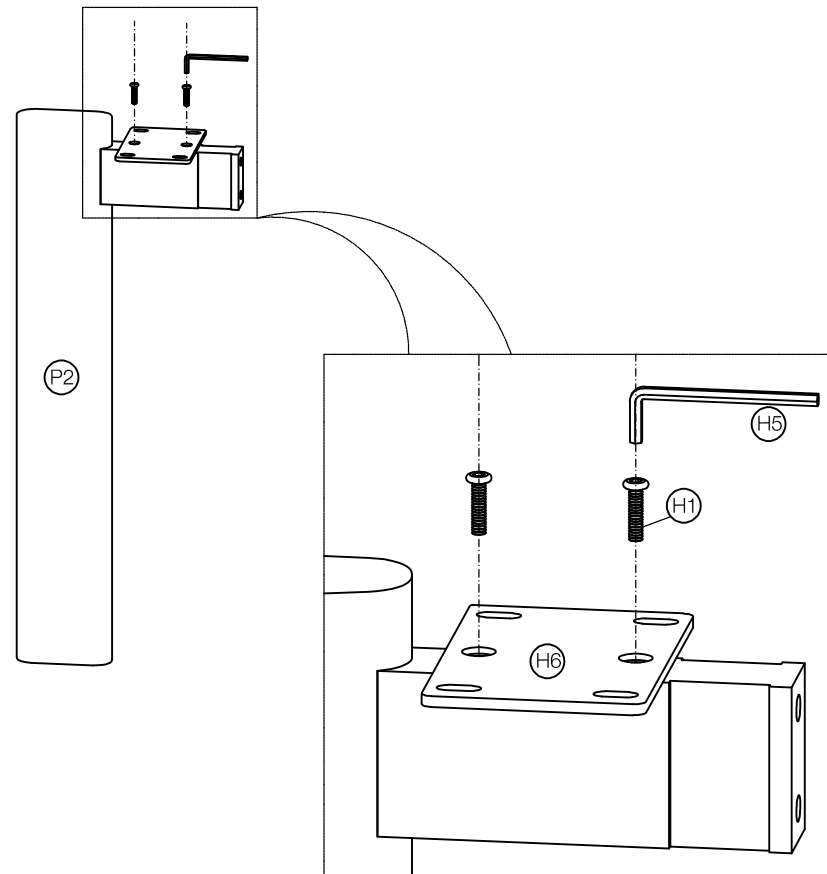
No.	DESCRIPTION	IMAGE	Q'TY
H1	BOLT (Ø8X25 MM)		24
H2	BOLT (Ø8X60 MM)		8
H3	SPRING WASHER Ø8.5X11		24
H4	FLAT WASHER Ø8.5X18		24
H5	ALLEN KEY		1
H6	PAT		4

## Notes

Thank you for purchasing this quality product!  
Be sure to check all packing material carefully for small part that may have come loose inside the carton during shipping.

**CAUTION:** The item is heavy, assembly should be performed by two people.

## Step 1



# Step 2

