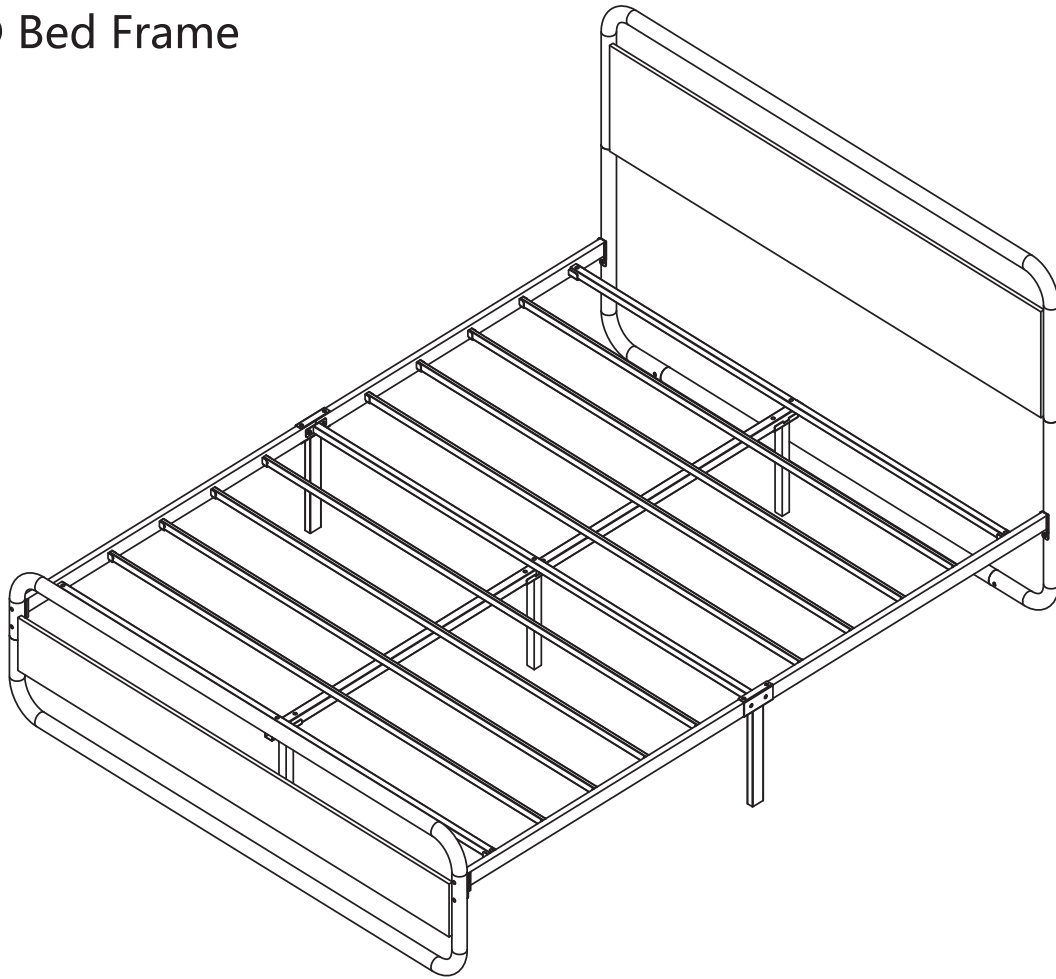


# USER MANUAL

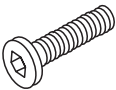
## LED Bed Frame



We are devoted to provide the best products and services for customers. Please contact us via the 'Contact seller' button in the detail page of your order for any concern and we'll response as soon as possible.

### Hardware list


**A**



**BOLT**

M8\*35      8PCS

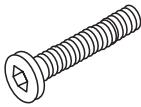
**B**



**BOLT**

M6\*15      6PCS


**C**



**BOLT**

M8\*55      15PCS


**D**



**BOLT**

M6\*30      4PCS

**E**

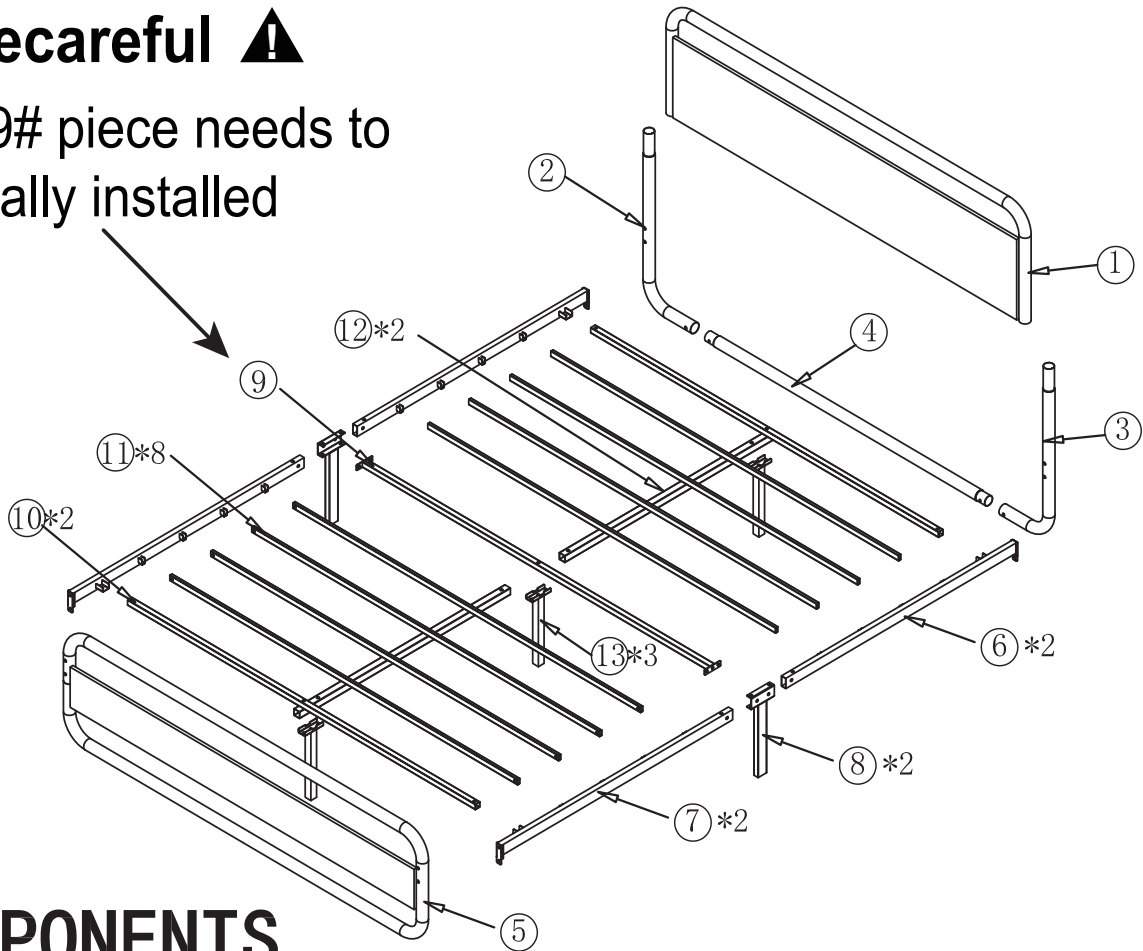


**HEX KEY**

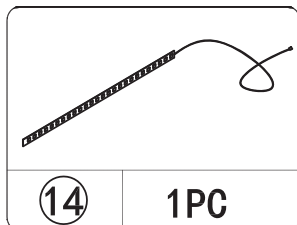
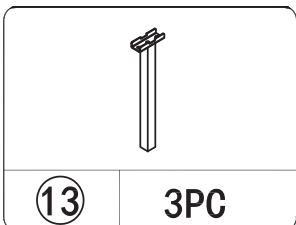
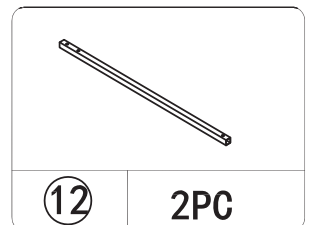
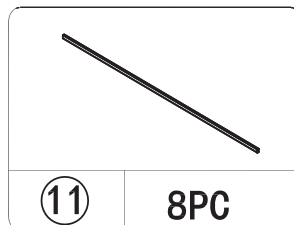
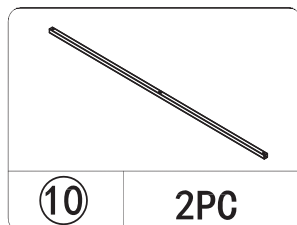
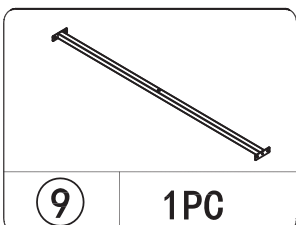
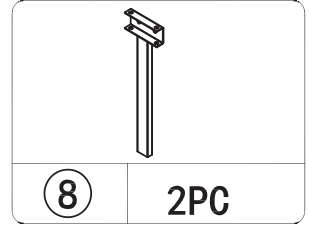
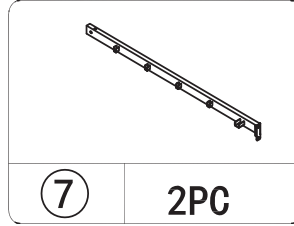
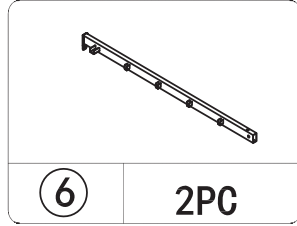
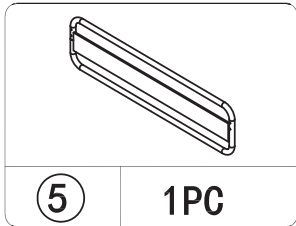
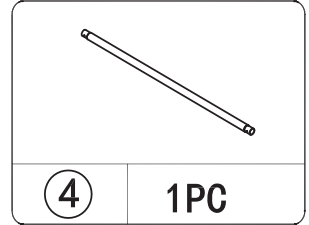
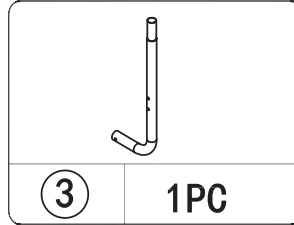
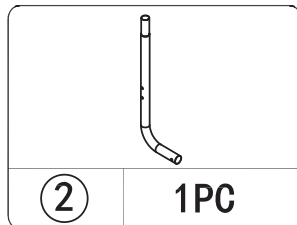
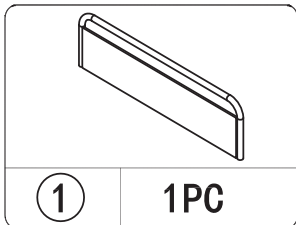
4#      2 PCS

**Becareful** 

This 9# piece needs to be finally installed

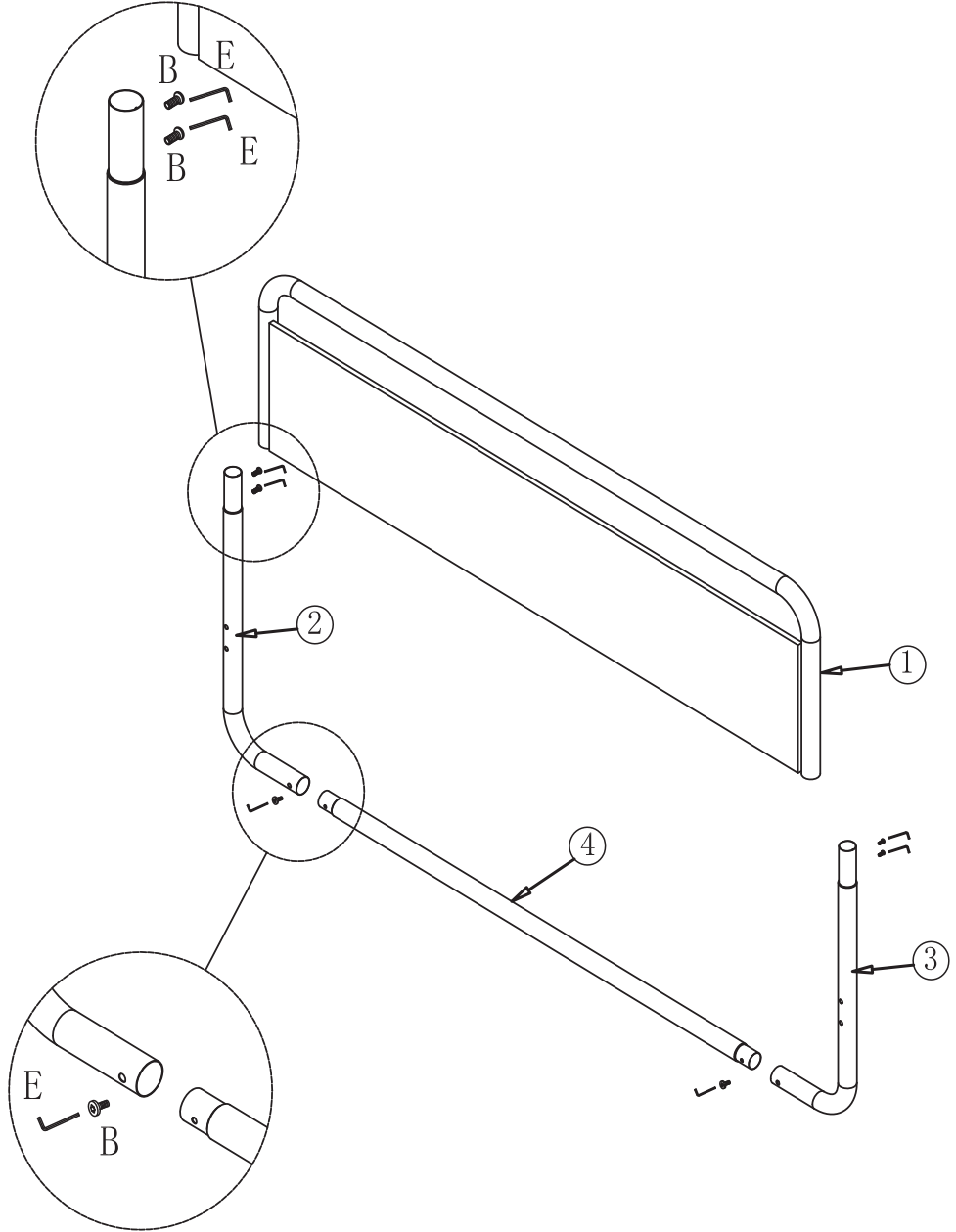


## COMPONENTS



Step 1:	
B M6*15	6PCS
E 4#	1PC

Attach Part (2,3) to Part(1) with Bolt (B) using Hex Key (E).



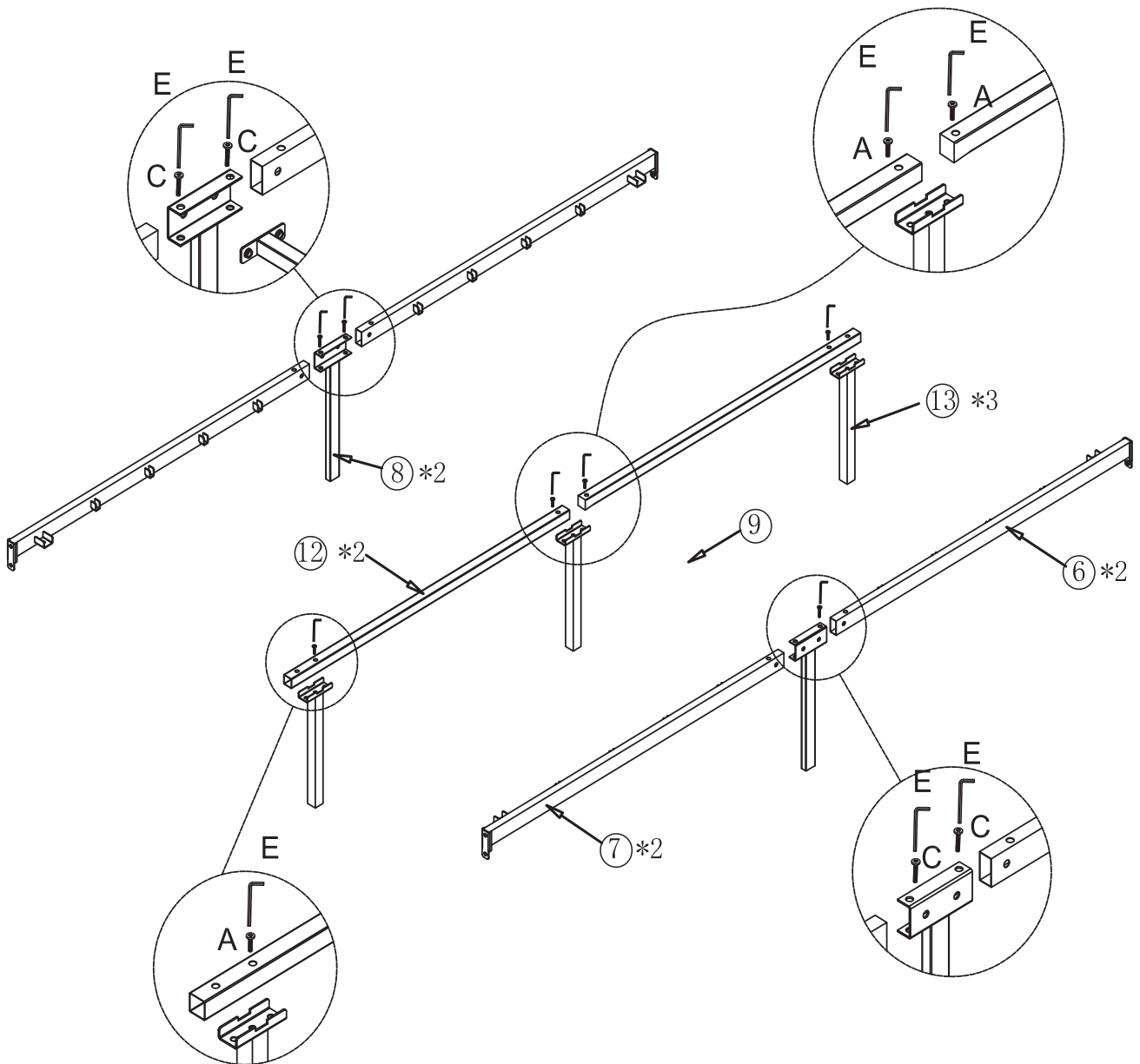
## Step 2:

A M8\*35 4PCS

Attach Part (12) to Part(13) with Bolt (A) using Hex Key (E).  
Attach Part (6,7) to Part(8) with Bolt (C) using Hex Key (E).

C M8\*55 4PCS

E 4# 1PC





# Step 4:

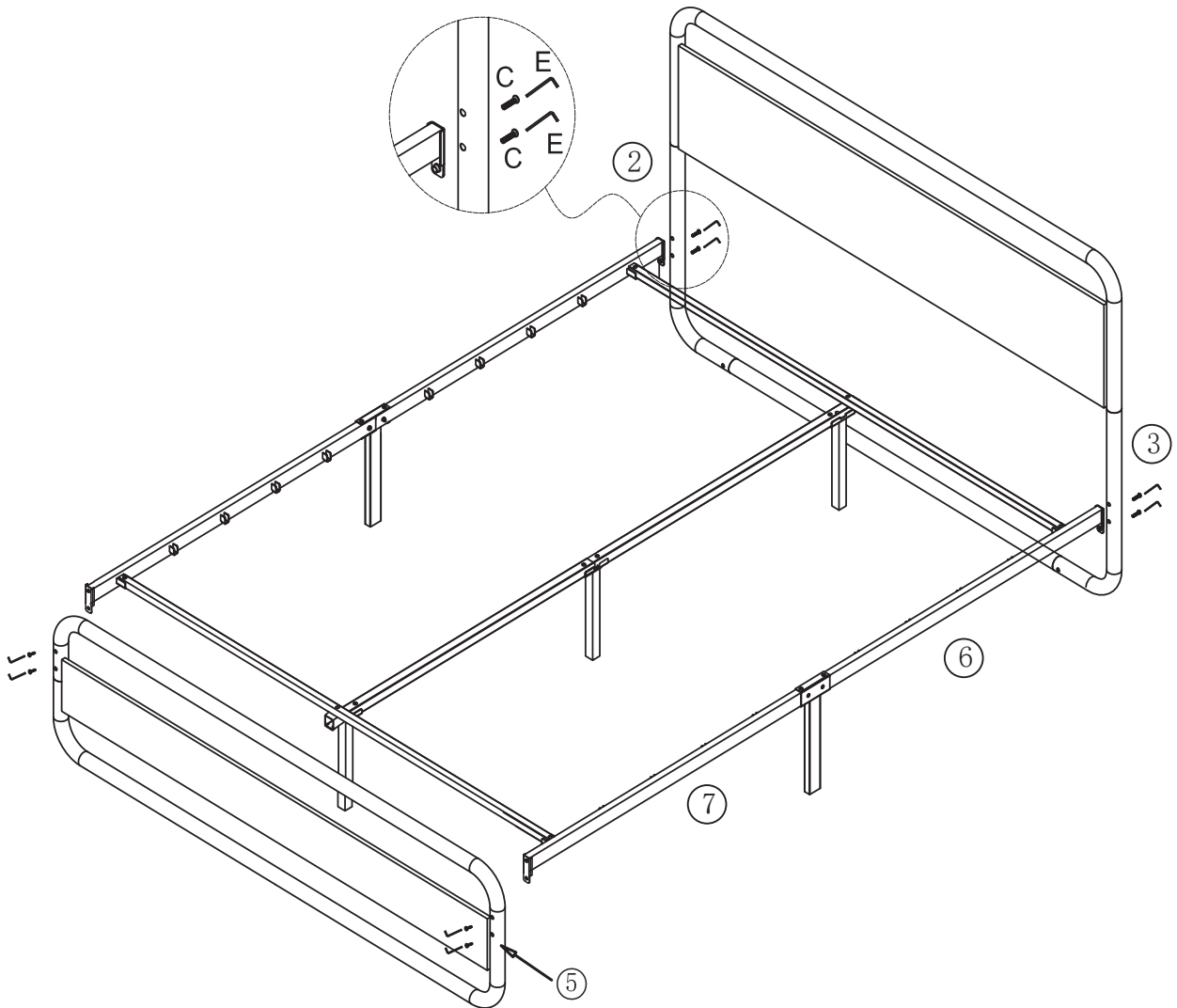
C M8\*55

8PCS

E 4#

1PC

Attach Part (6) to Part(2,3) with Bolt (C) using Hex Key (E).  
Attach Part (7) to Part(5) with Bolt (C) using Hex Key (E).



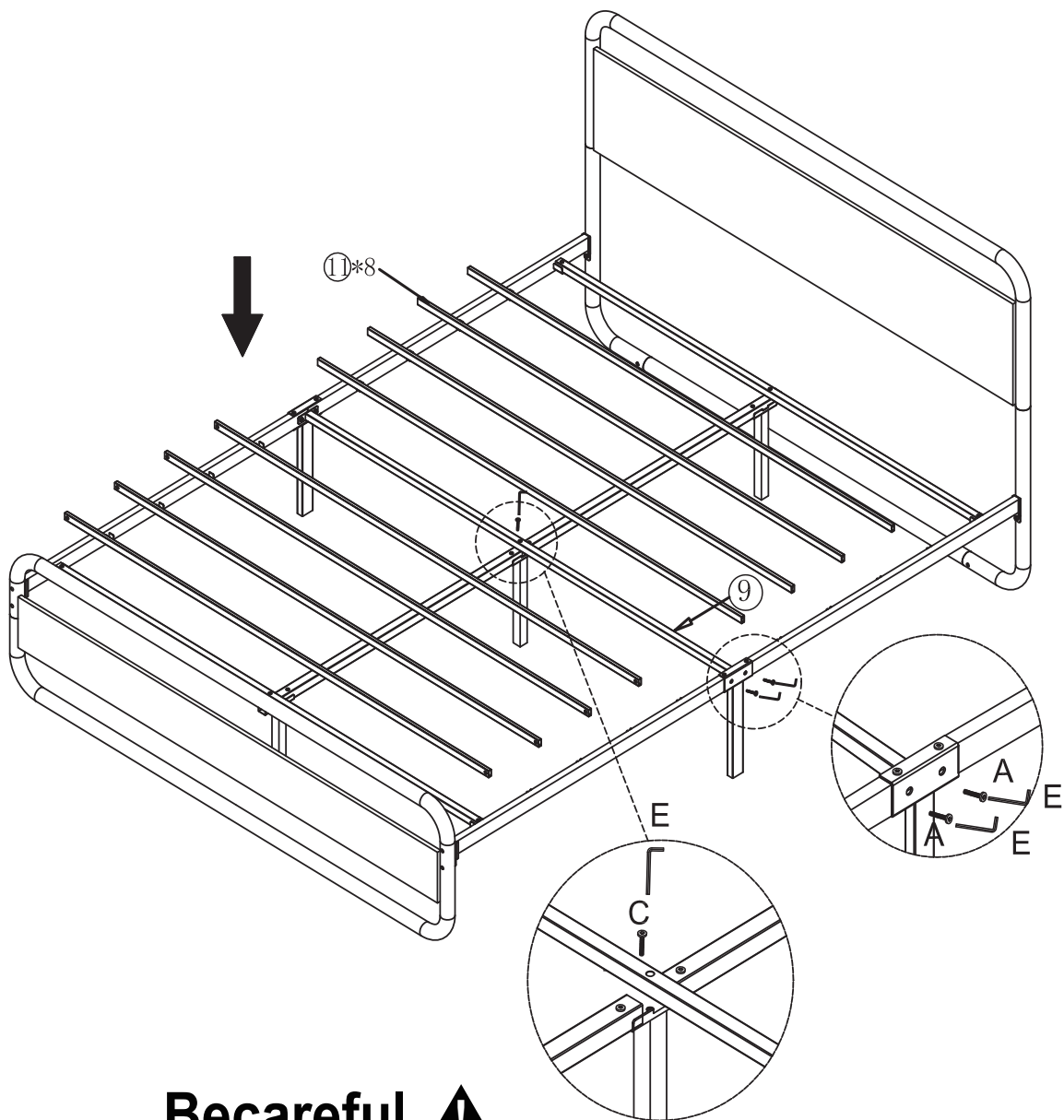
## Step 5:

A M8\*35 4PCS

C M8\*55 1PC

E 4# 1PC

Insert and secure lock Part (11) to the bed frame.  
Attach Part (9) to Part(8) with Bolt (A) using Hex Key (E).  
Attach Part (9) to Part(13) with Bolt (C) using Hex Key (E).



**Becareful** ⚠

This 9# piece needs to be finally installed

Step 6:

Attach Part(14) to Part(1) as per diagram.

