

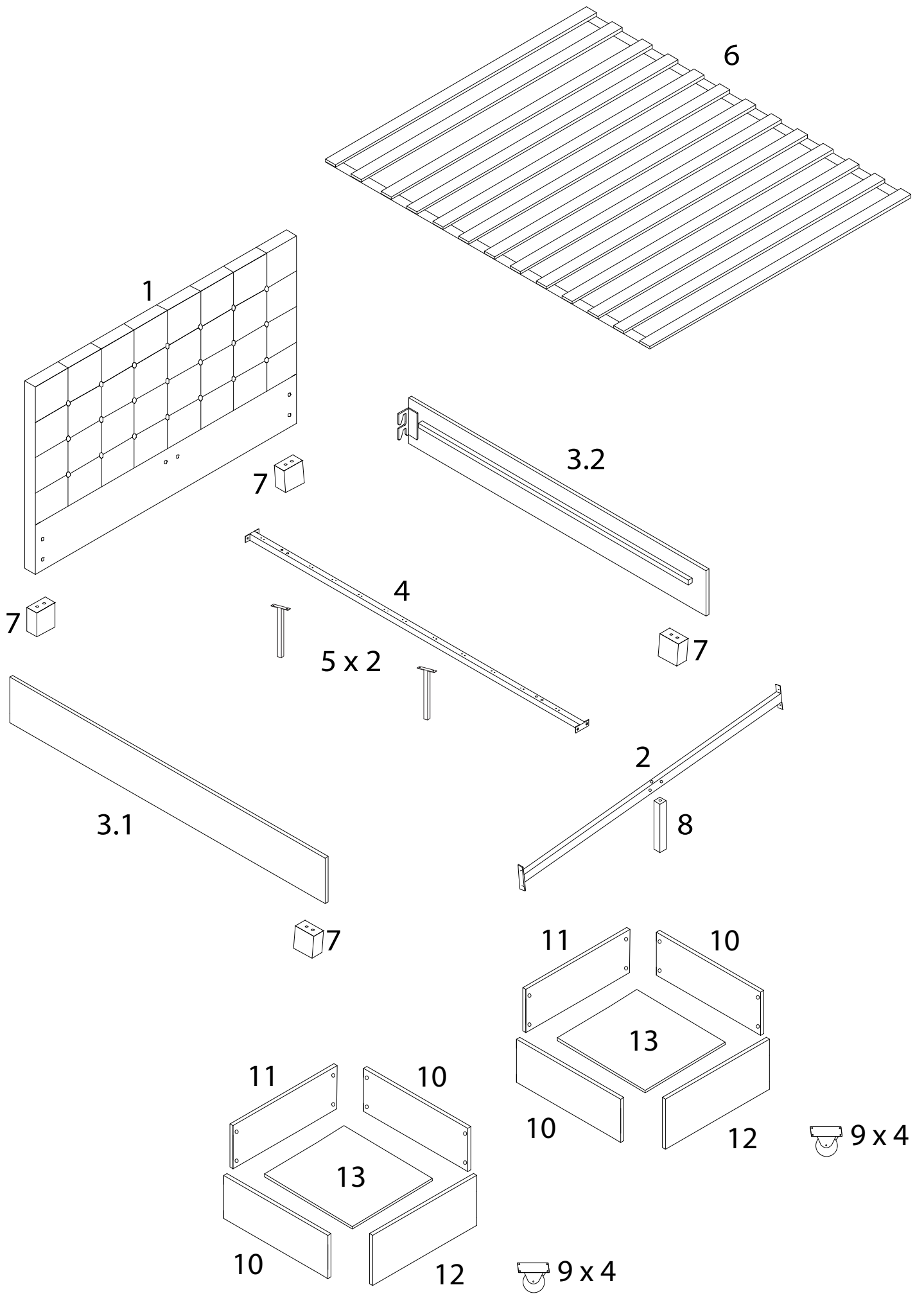
Assembly instructions for the bed frame, including tool requirements, time, and personnel.

Tools: A circle containing a screwdriver, a wrench, and a hex key, next to a crossed-out power drill icon, indicating that a power drill is not required.

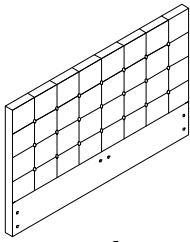
Warning: A triangle with an exclamation mark.

Time: A clock icon with the text "60'" below it, indicating an estimated assembly time of 60 minutes.

Personnel: A stick figure icon with the text "2" below it, indicating that two people are required for assembly.

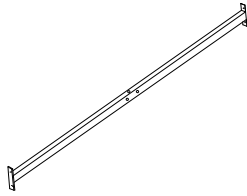


1



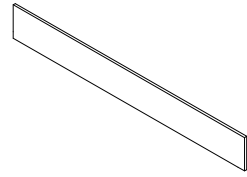
x 1

2



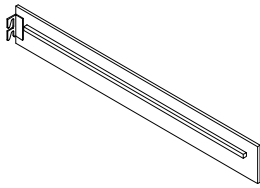
x 1

3.1



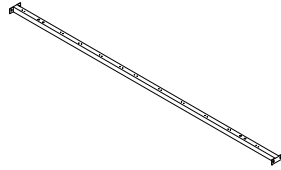
x 1

3.2



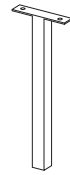
x 1

4



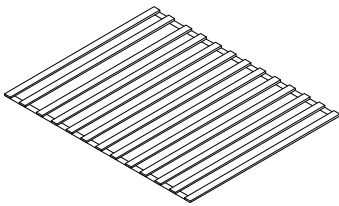
x 1

5



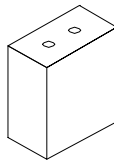
x 2

6



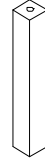
x 1

7



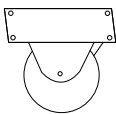
x 4

8



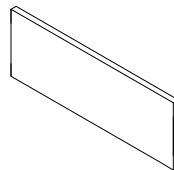
x 1

9



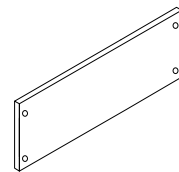
x 8

10



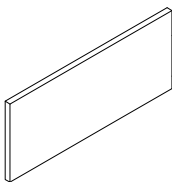
x 4

11



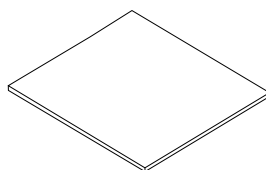
x 2

12



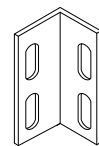
x 2

13



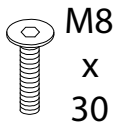
x 2

14



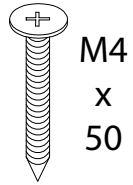
x 8

A



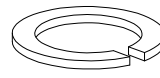
x 14

B



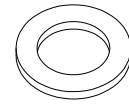
x 8

C



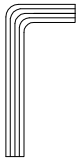
x 4

D



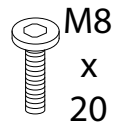
x 49

E



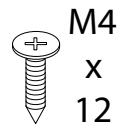
x 1

F



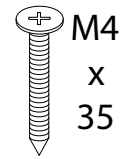
x 32

G



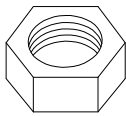
x 32

H



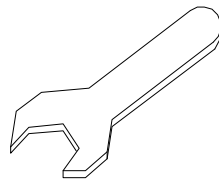
x 30

I



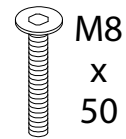
x 6

J



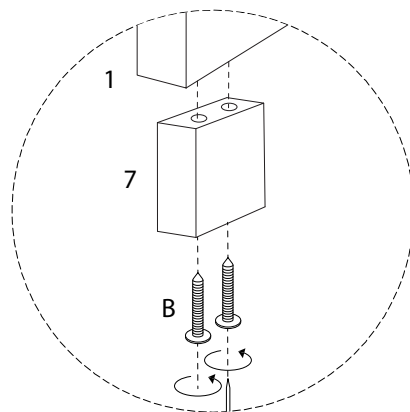
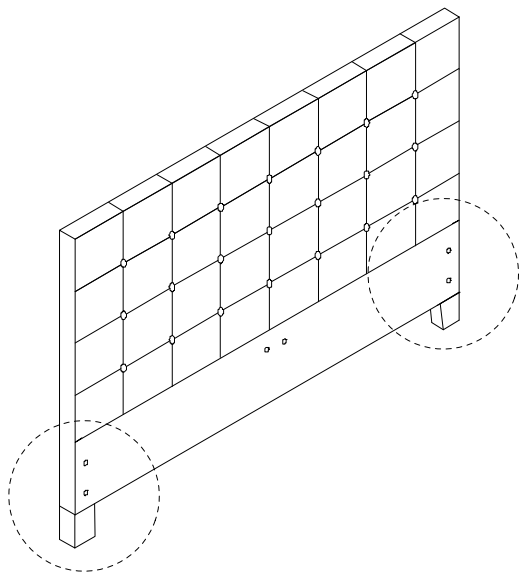
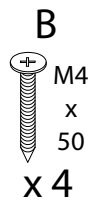
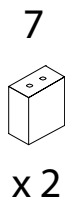
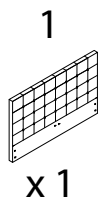
x 1

K

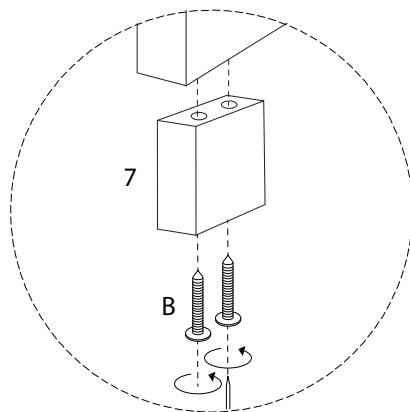
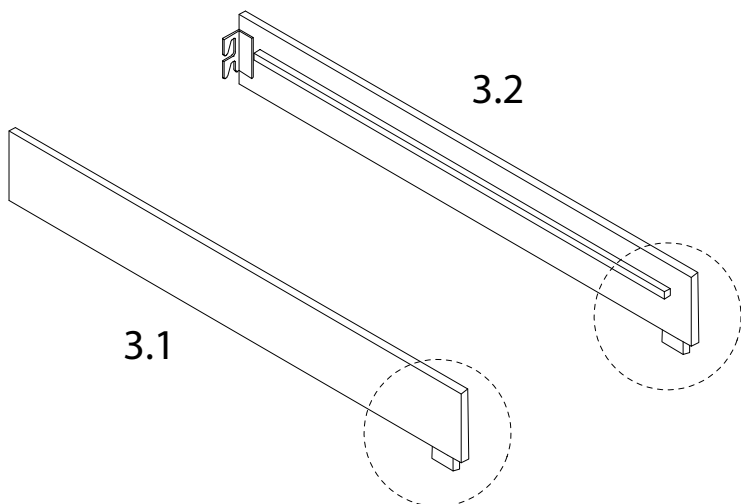
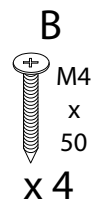
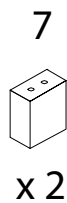
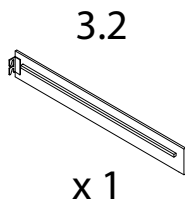
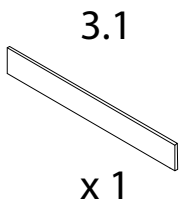


x 3

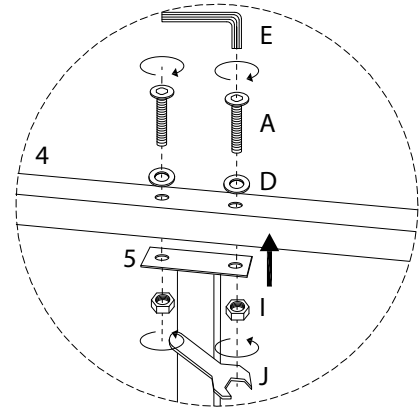
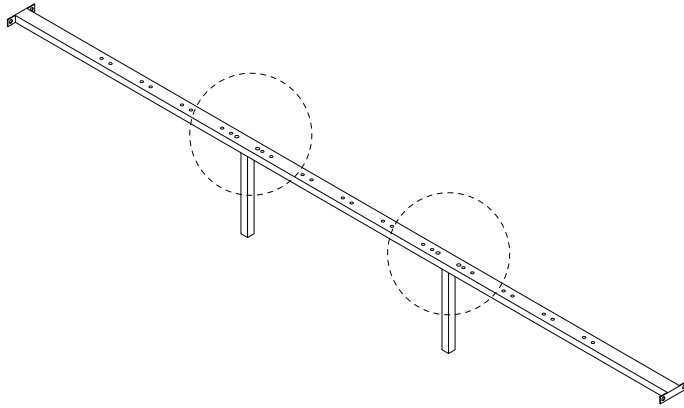
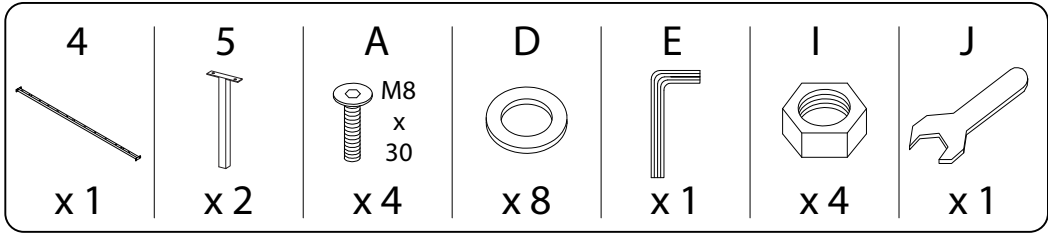
1



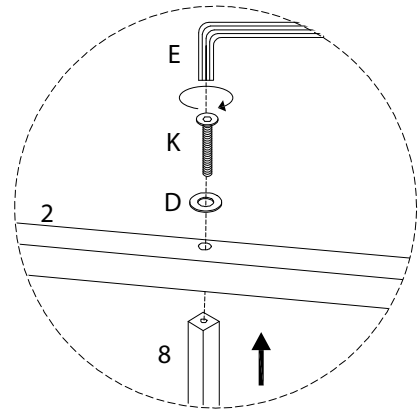
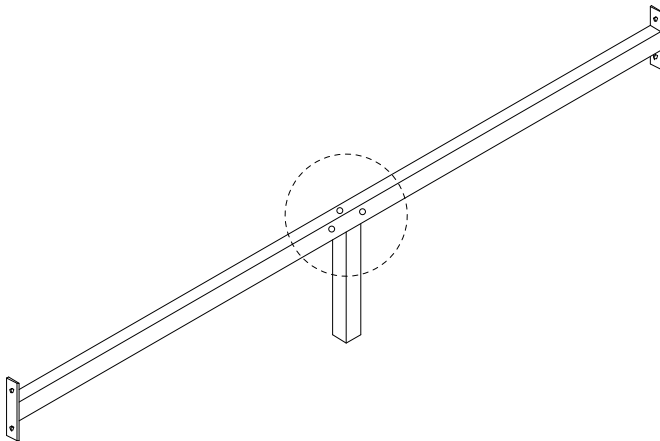
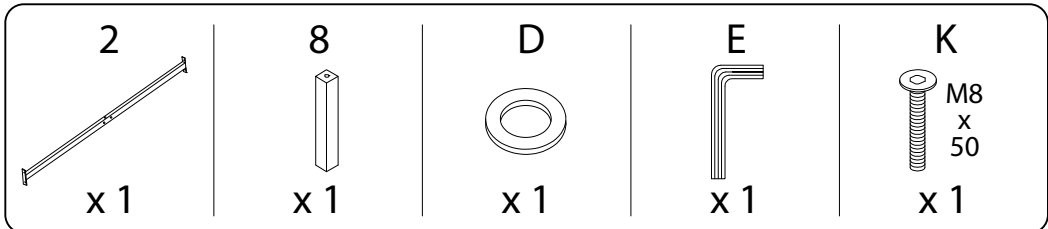
2



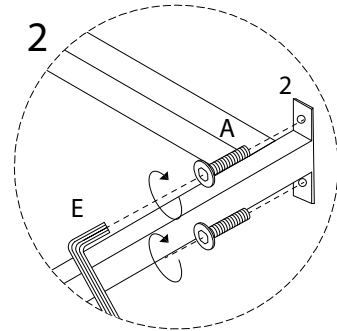
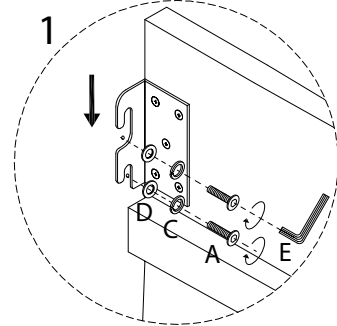
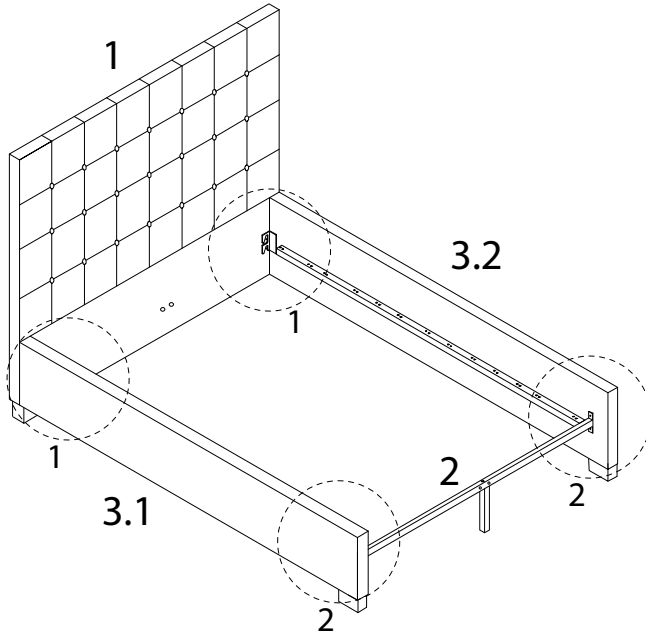
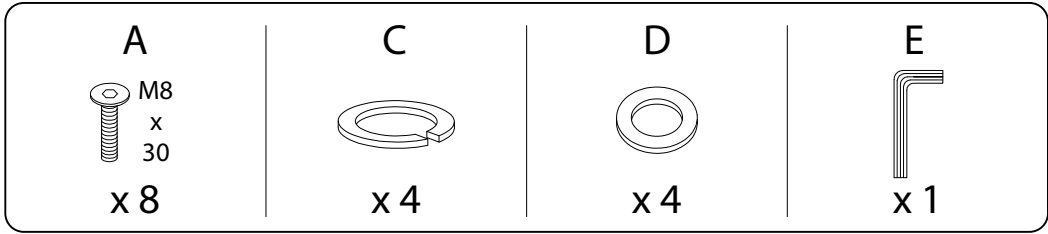
3



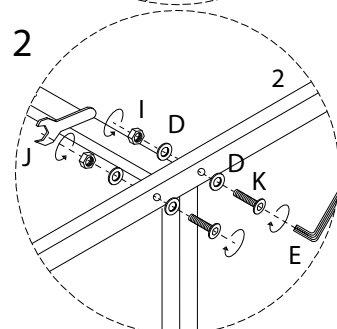
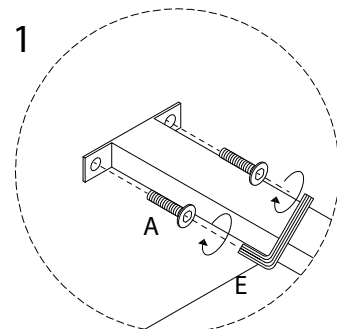
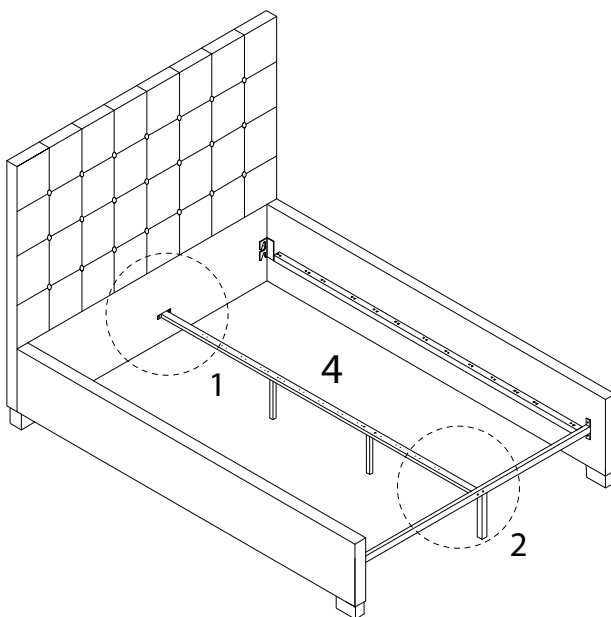
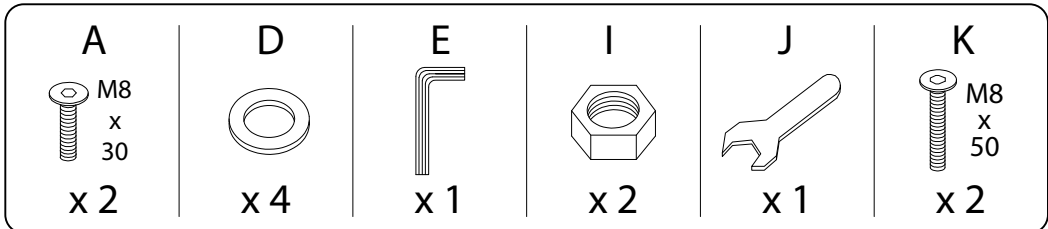
4



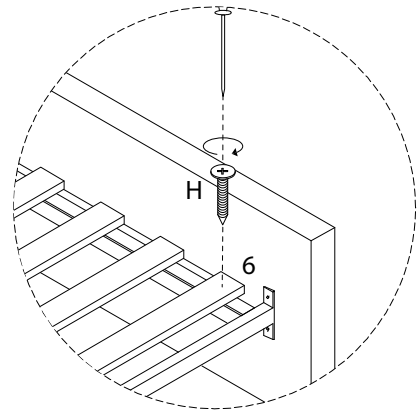
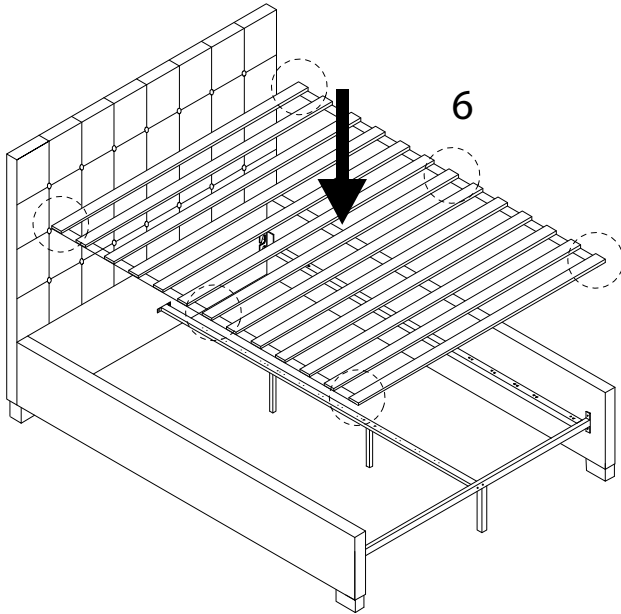
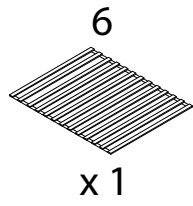
5



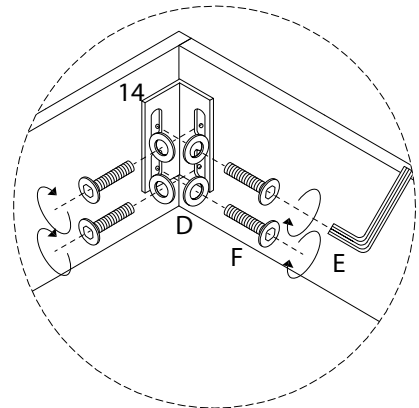
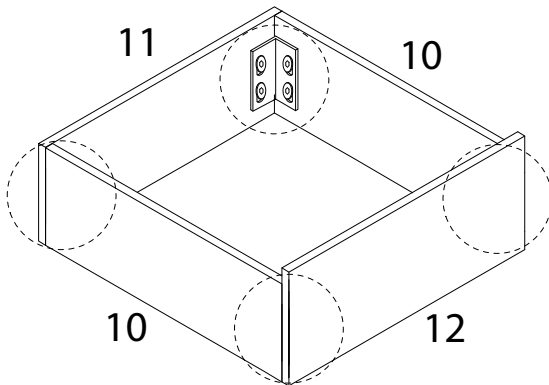
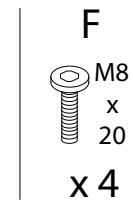
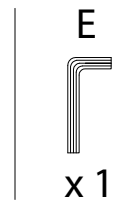
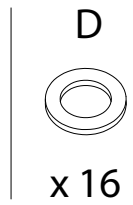
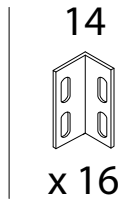
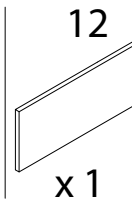
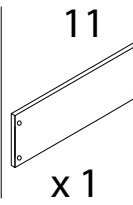
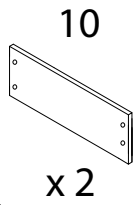
6



7

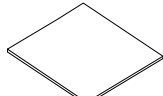


8 x 2



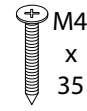
9 x 2

13

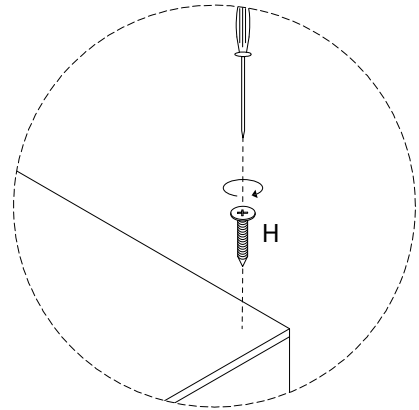
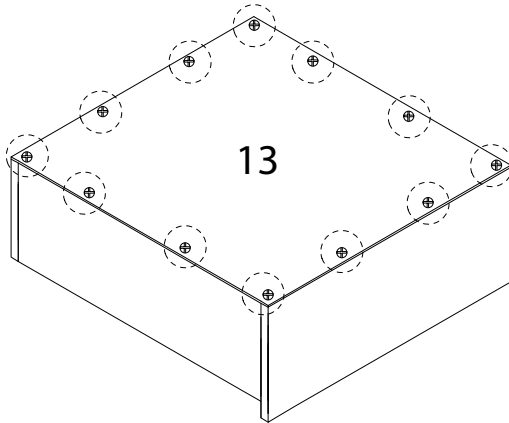


x 1

H

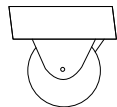


x 12



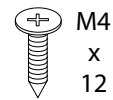
10 x 2

9

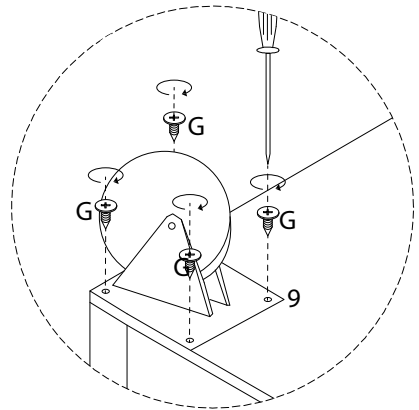
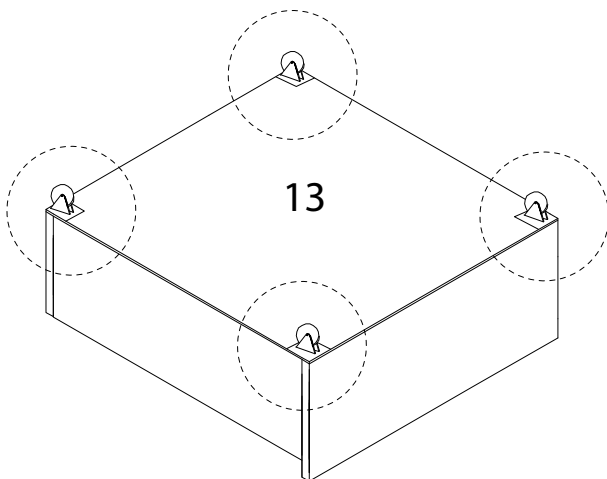


x 4

G



x 16



11

