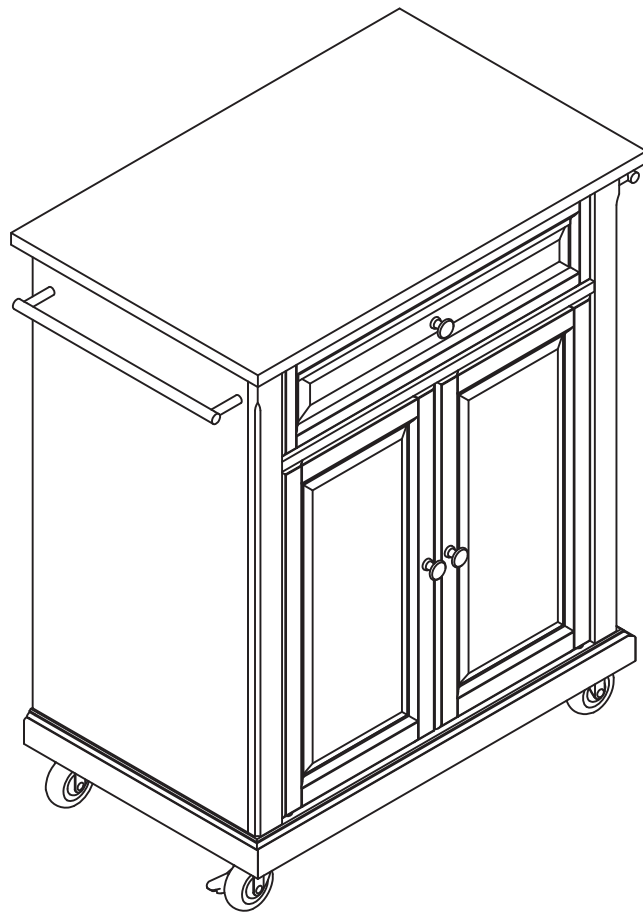
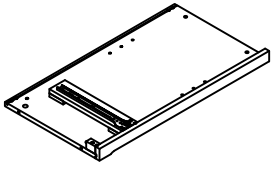
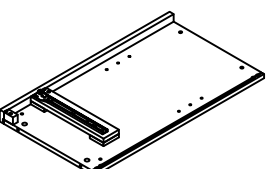
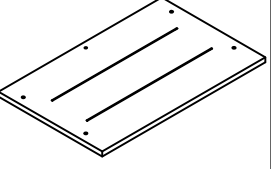
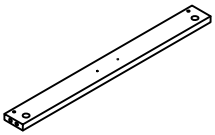
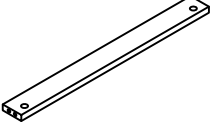
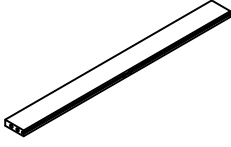


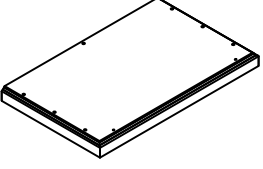
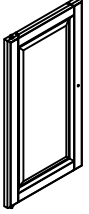
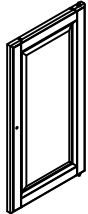
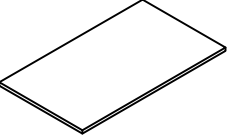
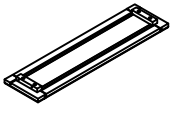
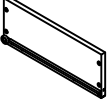
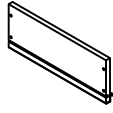
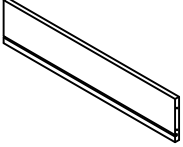
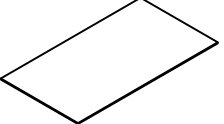


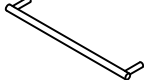


# Kitchen Cart / Cabinet

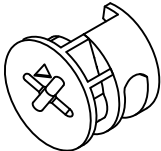
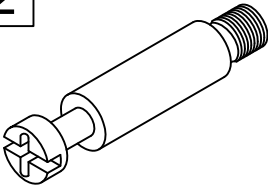
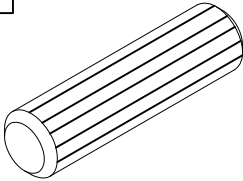
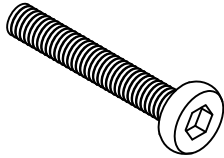
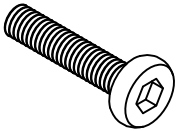

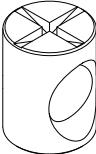
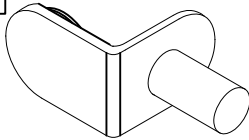
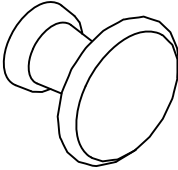
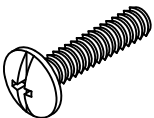
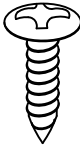
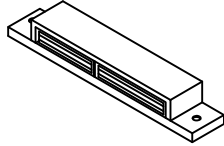
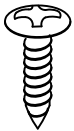
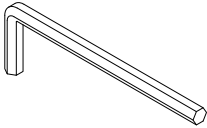


**Care:** Use a soft clean cloth that will not scratch the surface when dusting. Use of furniture polish is not necessary. Should you choose to use polishes, test in an inconspicuous area first. Use of solvents of any kind may damage your furniture's finish. To clean, simply use a soft clean cloth moistened with lukewarm water, then buff with a dry soft clean cloth.

# PART LIST

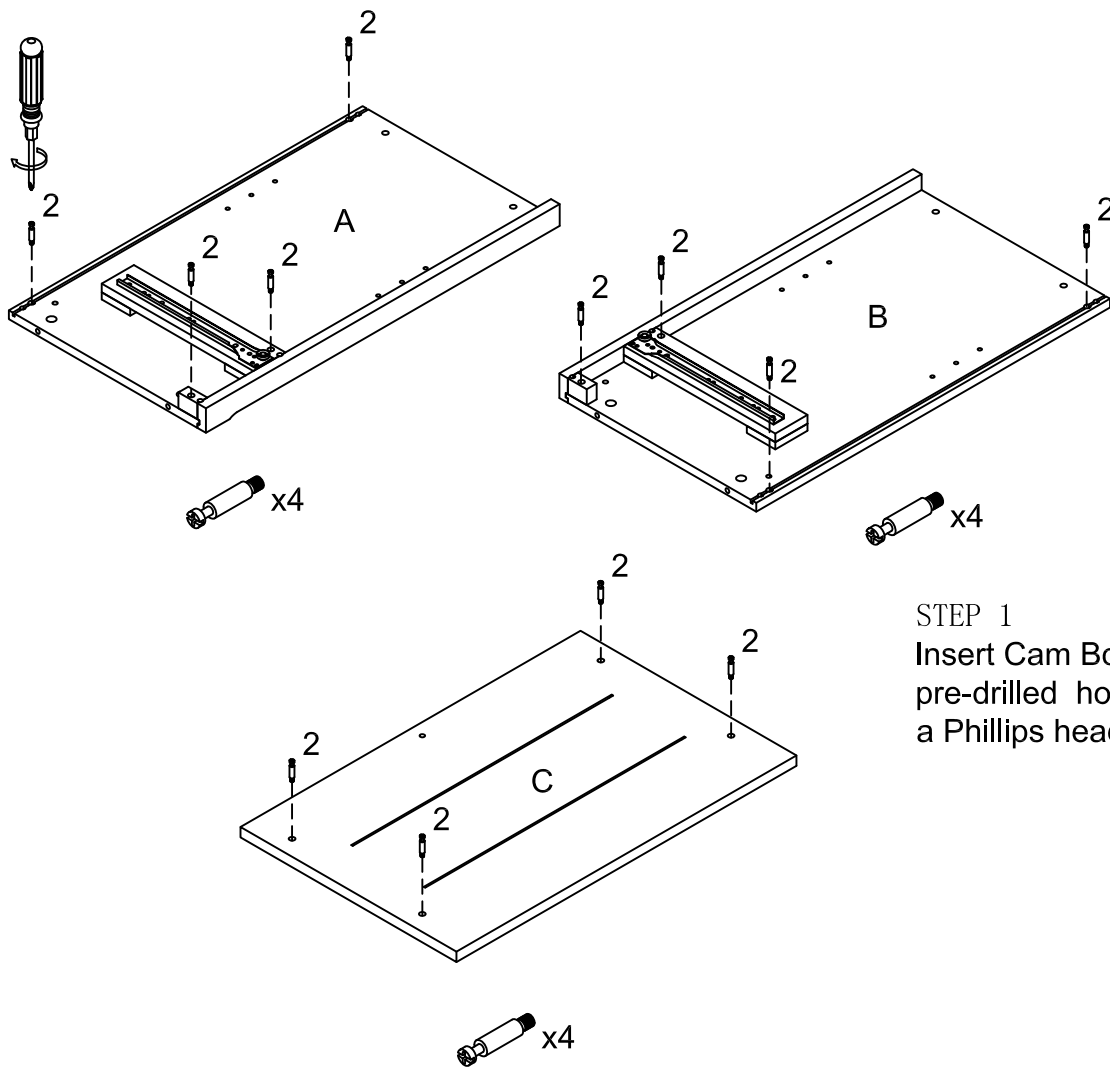
<b>A</b> 	<b>B</b> 	<b>C</b>  Ships separately	<b>D</b> 	<b>E</b> 
1 PC	1 PC	1 PC	1 PC	1 PC
<b>F</b> 	<b>G</b> 	<b>H</b> 	<b>I</b> 	<b>J</b> 
2 PCS	2 PCS	1 PC	1 PC	1 PC
<b>K</b> 	<b>L</b> 	<b>M</b> 	<b>N</b> 	<b>O</b> 
1 PC	1 PC	1 PC	1 PC	1 PC
<b>P</b> 	<b>Q</b> 	<b>R</b> 	<b>S</b> 	<b>T</b> 
1 PC	1 PC	2 PCS	2 PCS	2 PCS

# HARDWARE LIST

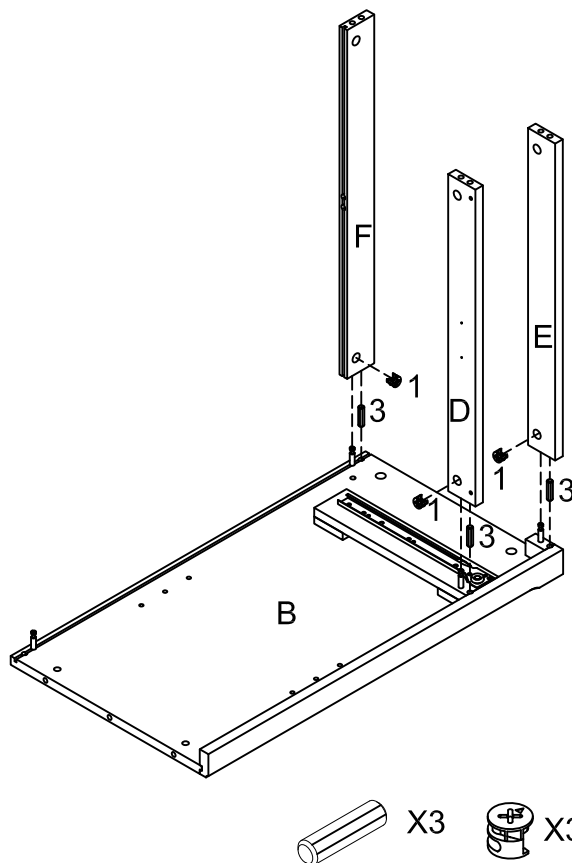
<p><b>1</b></p> 	<p><b>2</b></p> 	<p><b>3</b></p> 	<p><b>4</b></p> 
<p>CAM LOCK 12 PCS</p>	<p>CAM BOLT 12 PCS</p>	<p>WOOD DOWEL 16 PCS</p>	<p>Allen Bolt 4 PCS</p>
<p><b>5</b></p>  <p>1-1/4" *<math>\varnothing</math>1/4"*D11mm</p>	<p><b>6</b></p> 	<p><b>7</b></p> 	<p><b>8</b></p> 
<p>Short Allen Bolt 4 PCS</p>	<p>SCREW 8 PCS</p>	<p>BARREL NUT 4 PCS</p>	<p>SHELF HOLDER 4 PCS</p>
<p><b>9</b></p> 	<p><b>10</b></p> 	<p><b>11</b></p>  <p>12mm*<math>\varnothing</math>4*D9mm</p>	<p><b>12</b></p> 
<p>KNOB 3 PCS</p>	<p>ROUND HEAD BOLT 3 PCS</p>	<p>ROUND HEAD SCREW 16 PCS</p>	<p>DOUBLE MAGNET 1 PC</p>
<p><b>13</b></p> 	<p><b>14</b></p> 		
<p>ROUND HEAD SCREW 2 PCS</p>	<p>Allen Wrench 1 PC</p>		

Tools needed: Allen Wrench (Part #14) Included  
Phillips Head Screwdriver (Not included)

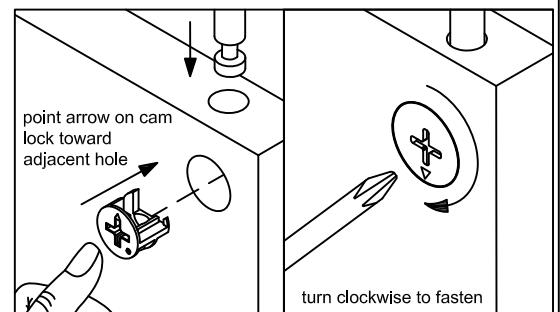
**Note:** Wood dowels (Part #3) are for alignment only when assembling your furniture. Additional clearance between the wood dowels and pre-drilled holes is intended for ease of assembly.

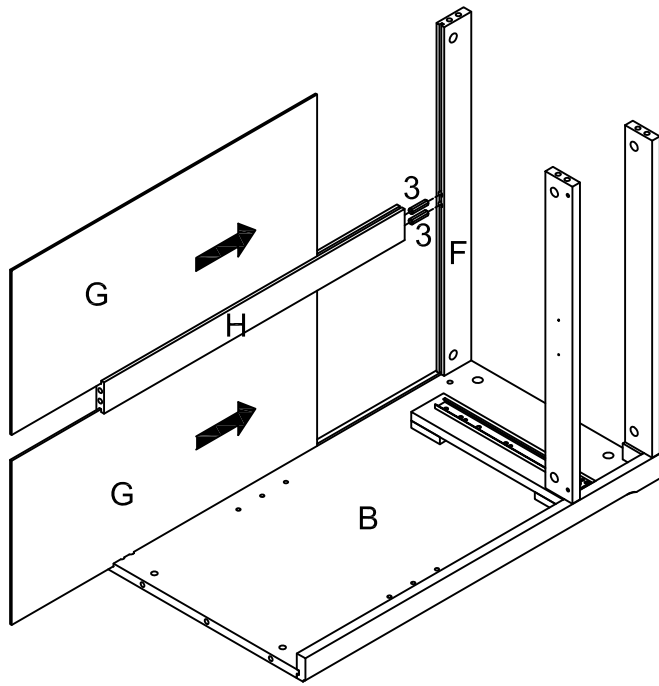


STEP 1  
 Insert Cam Bolts (part # 2) into pre-drilled holes of parts A,B,C using a Phillips head screw driver as shown.



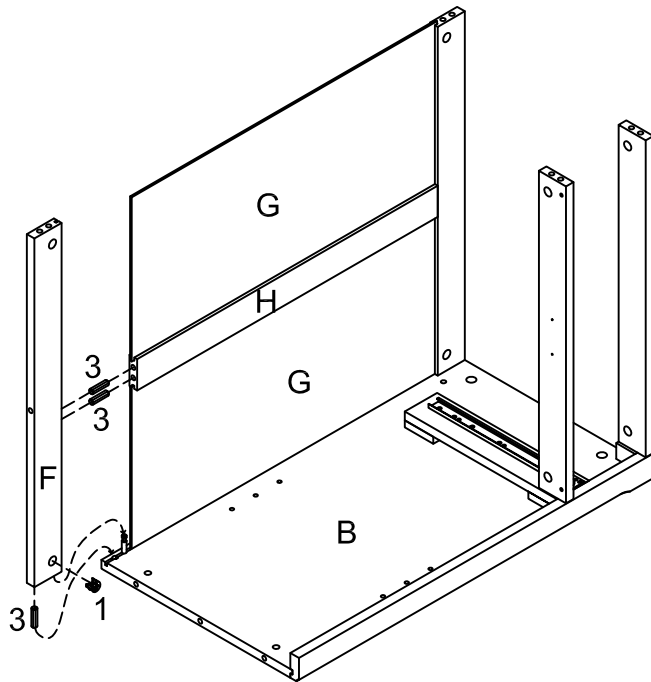
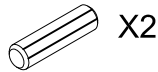
STEP 2  
 Attach rails D, E, & F to Part B with wood dowels & Cam locks as shown.





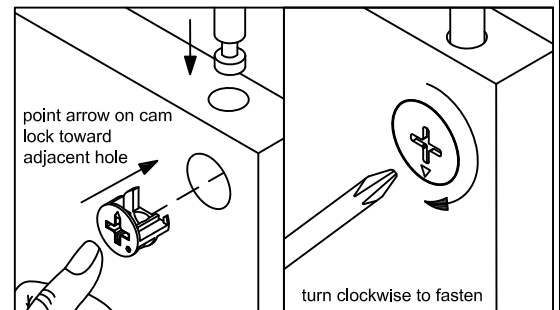
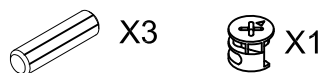
STEP 3

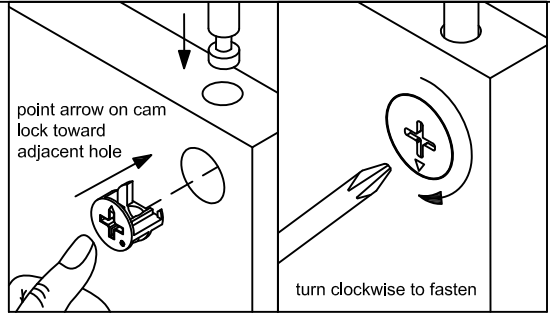
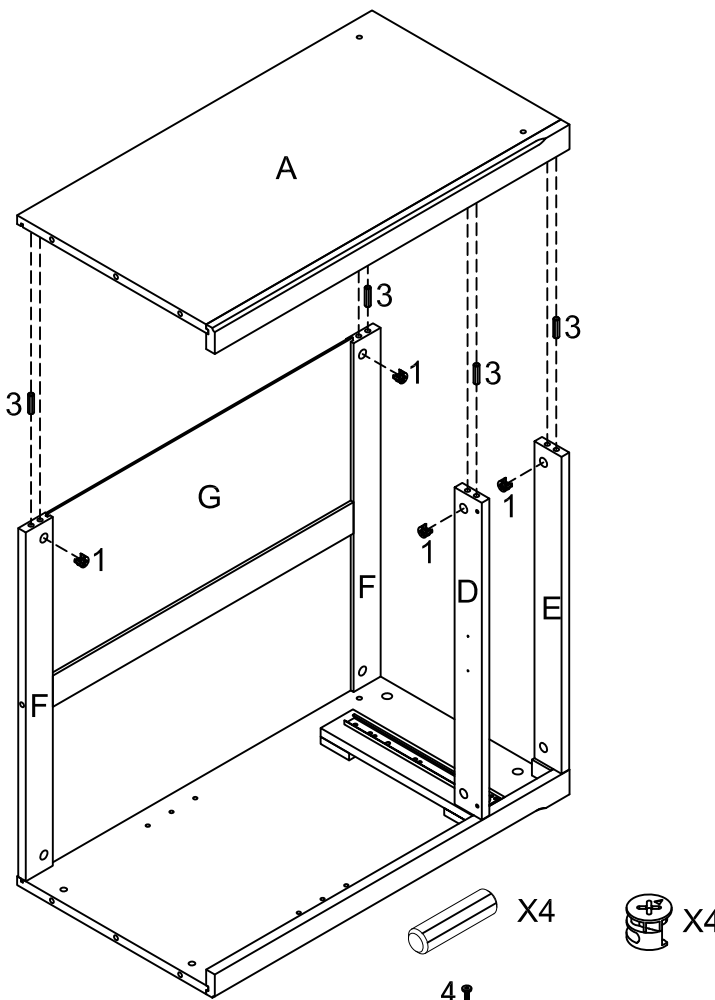
Slide back panel G into grooves of Part B & Rail F as shown. Set Rail H into place on back panel G and into rail F using wood dowels as shown. Slide back panel G into grooves of rails H & F.



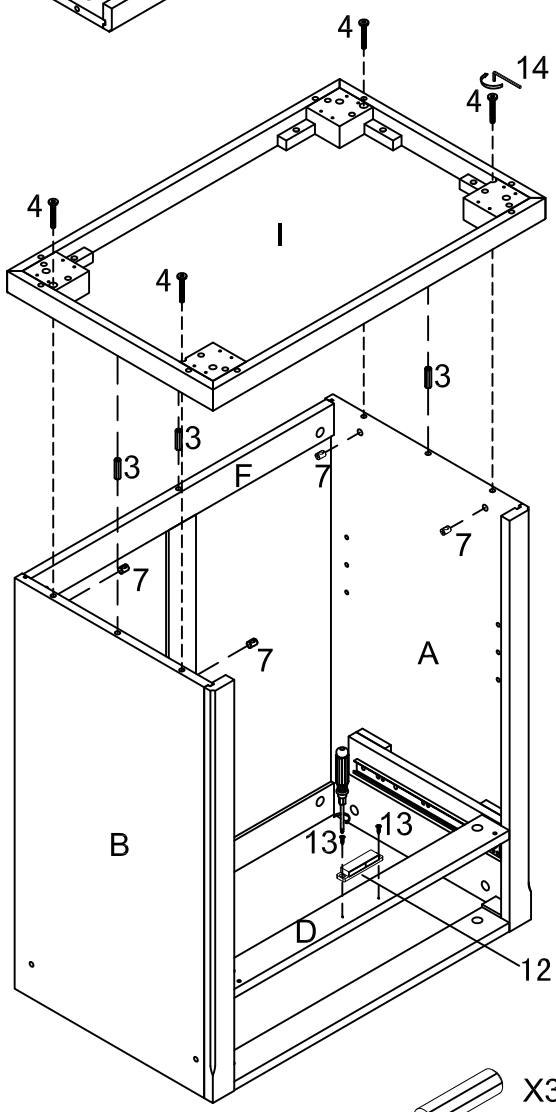
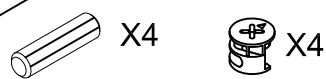
STEP 4

Attach Rail F to Rail H using wood dowels (Part #3) & Cam Locks (Part #1) as shown.



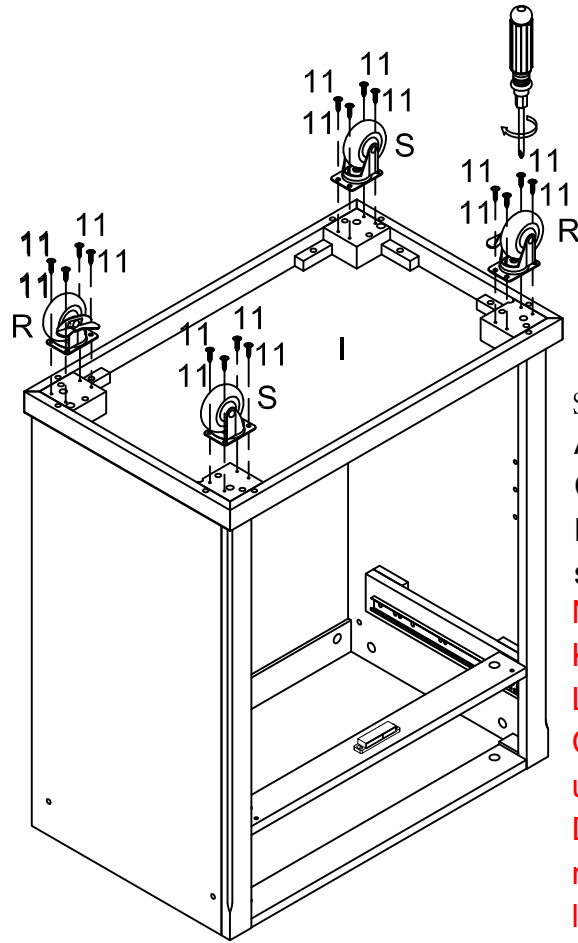


**STEP 5**  
 Attach Part A to Parts D, E, & F using wood dowels & Cam locks as shown. Carefully turn cabinet over so that rails E & F are flat on the floor.



**STEP 6**  
 Attach Base I to cabinet using Wood Dowels (Part #3), Allen Bolts (Part #4) & Barrel Nuts (Part #7) as shown. Attach Double Magnet (Part #12) to Rail D using Round Head Screws (Part #13) as shown.

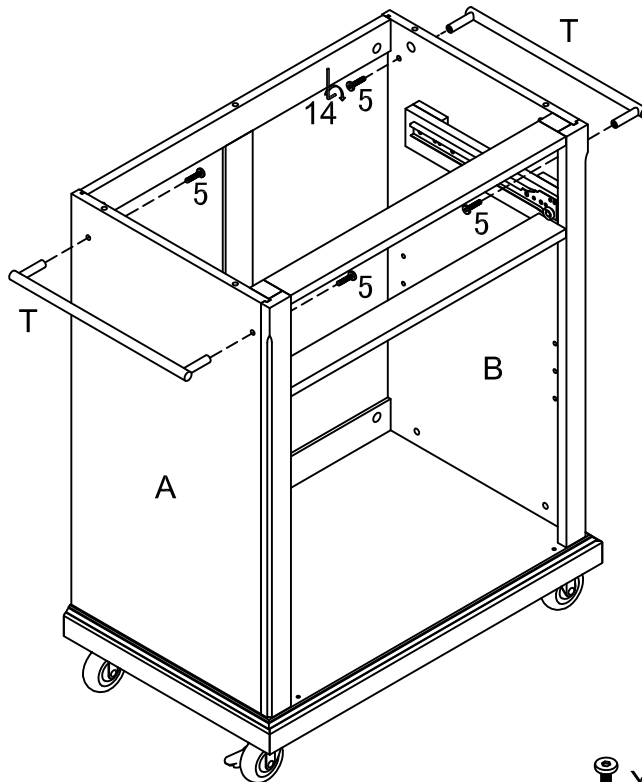




STEP 7  
 Attach Locking Casters (Part S) & Casters (Part R) to Base I using Round Head Screws (Part #11) as shown.

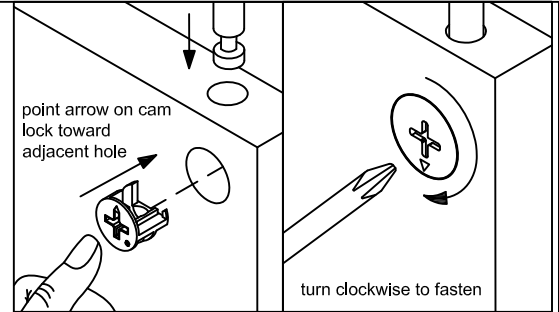
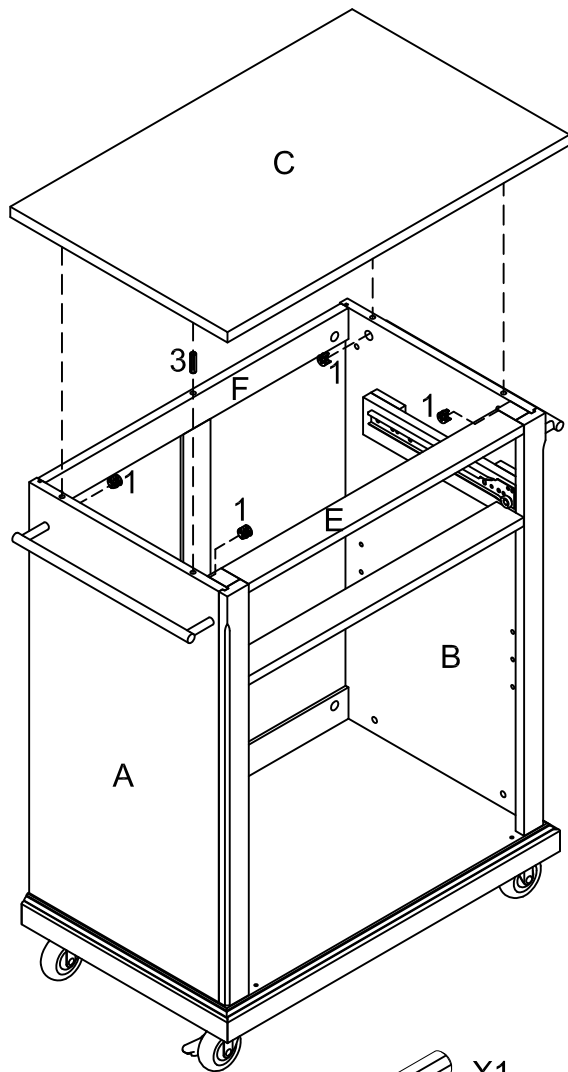
**Note: IF YOU PURCHASED A KITCHEN ISLAND WITH WOOD LEGS, DO NOT ATTACH THE CASTERS.** Attach the wood legs using Hex Socket Head Bolts & Wood Dowels (as shown in instruction manual included in carton with the legs).

Carefully turn cabinet over with legs or casters on the floor.

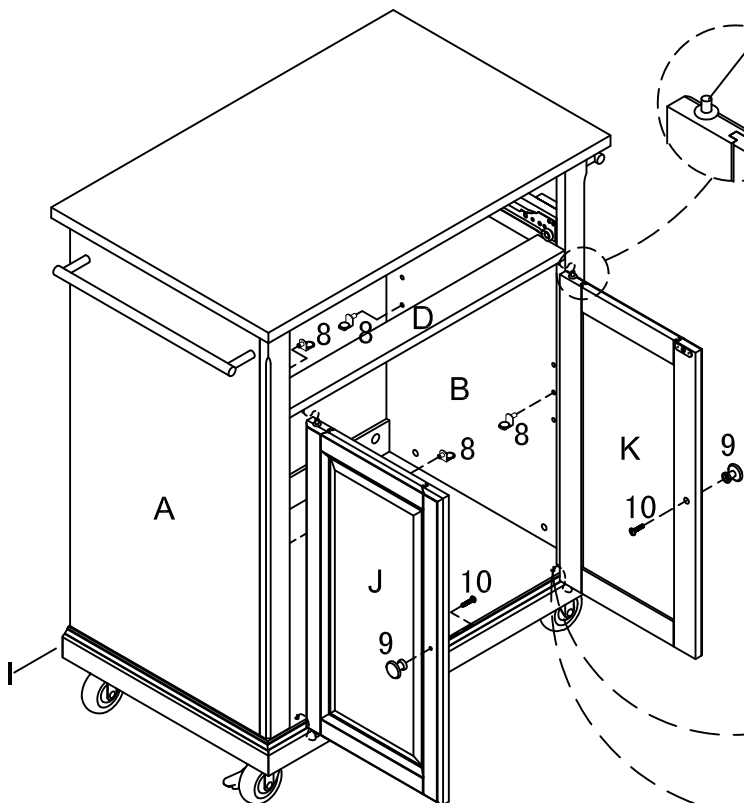
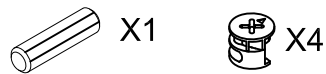


STEP 8  
 Attach towel bars T to Side Panels A & B using Short Allen Bolts (Part #5) as shown.



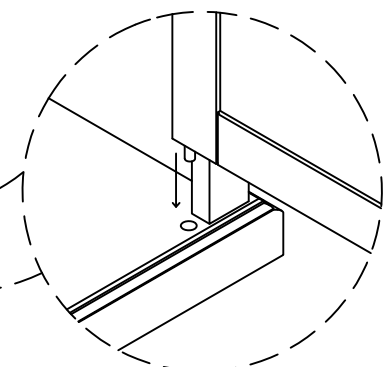
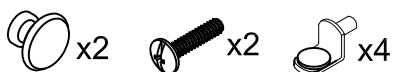


**STEP 9**  
 Attach Top C to cabinet using Wood Dowel (Part # 3) & Cam Locks (Part # 1) as shown.

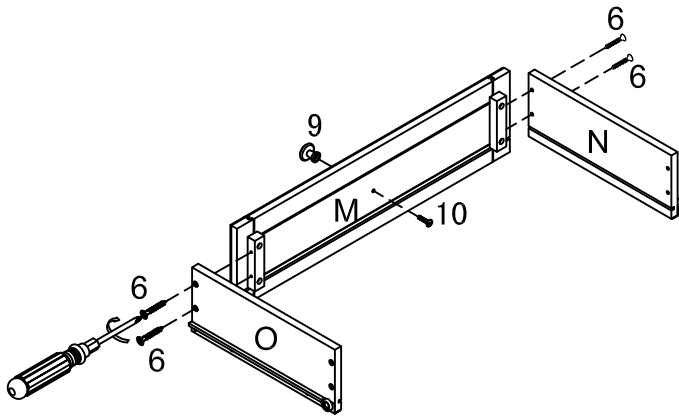





Pin Hinge

**STEP 10**  
 Attach Knobs (Part #9) to doors J & K using Round Head Bolts (Part #10) as shown. Attach doors to cabinet by placing bottom Pin Hinge into pre-drilled holes in cabinet base & depressing top spring loaded Pin hinge to fit door into place in Rail D. Insert Shelf Holders (Part #8) into desired position.



**-8-** NOTE: Be sure Pin Hinges have extended fully into pre-drilled holes to secure doors into place.

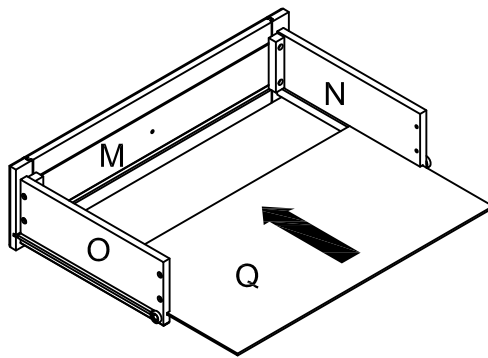


 x4
  x1
  x1

STEP 11

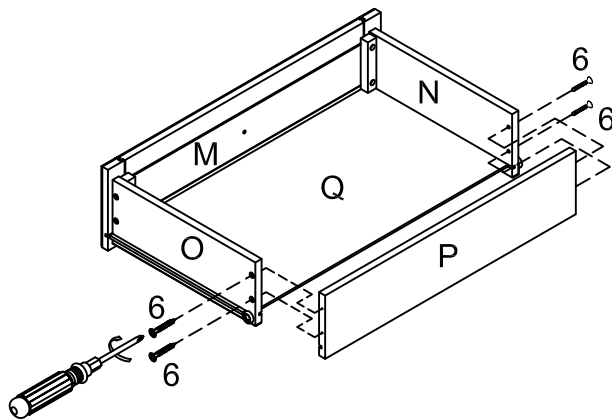
Assemble drawers by Attaching Drawer Front M to Drawer Sides O & N using Screws (Part # 6) & Phillips Head screw driver as shown. Attach Knob (Part # 9) to Part M with Round Head Bolt (Part # 10) as shown.

**NOTE: Be sure that wheels on drawer glides are at the opposite side of the drawer front.**



STEP 12

Insert Bottom Panel Q into the grooves of Parts O, M & N as shown.



 x4

STEP 13

Attach Back Panel P to Parts O & N using Screws (Part # 6) & Phillips Head screw driver as shown.

STEP 14

Insert Shelf L & drawer in to cabinet as shown.

