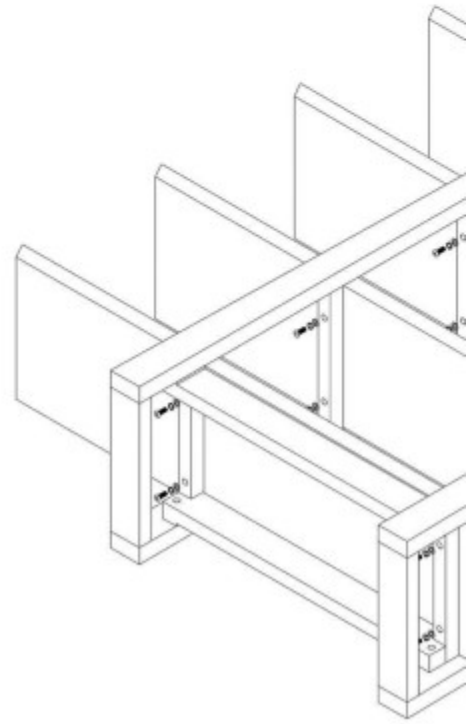
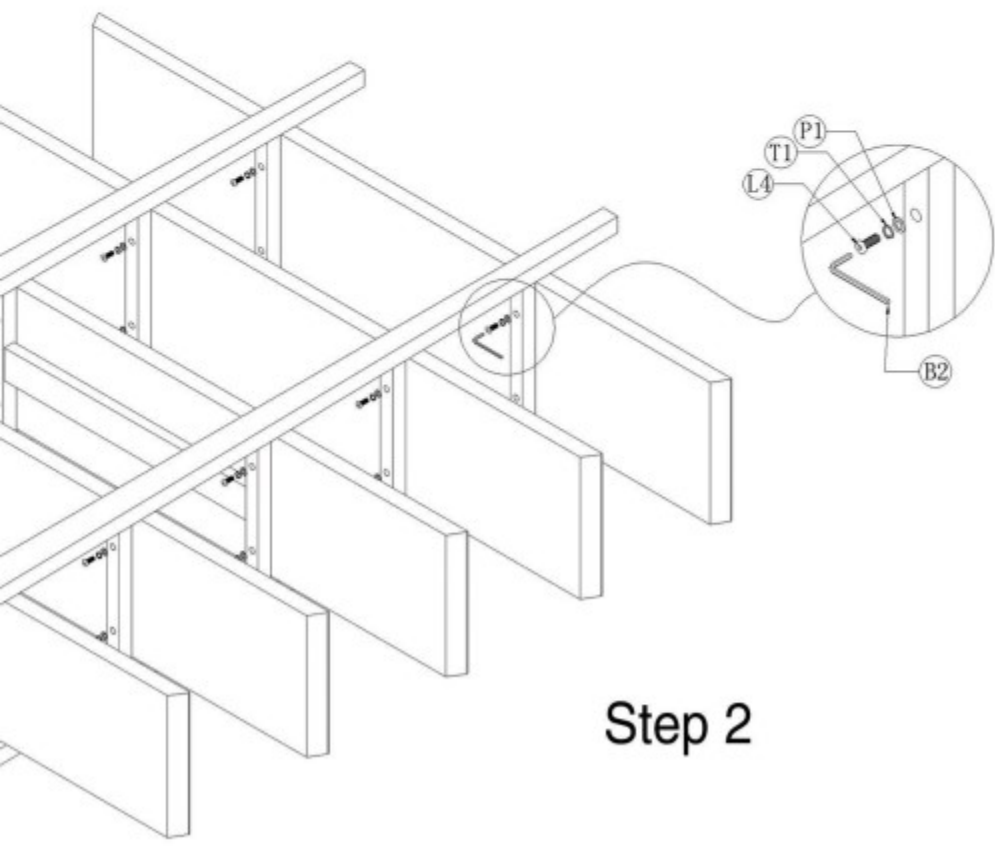


Step1



Assembly Instruction



Step 2