

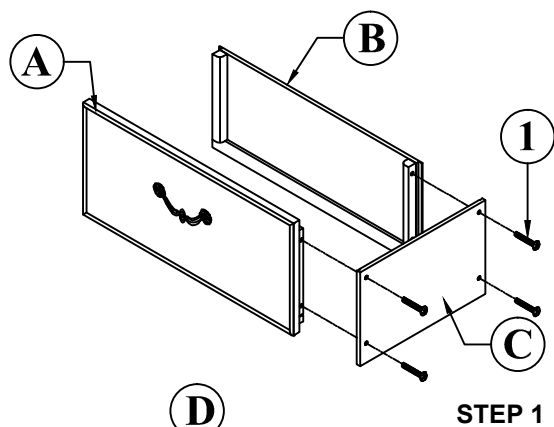
ASSEMBLY INSTRUCTION

MODEL: # 39151DAY BED - FOOTBOARD - DRAWERS

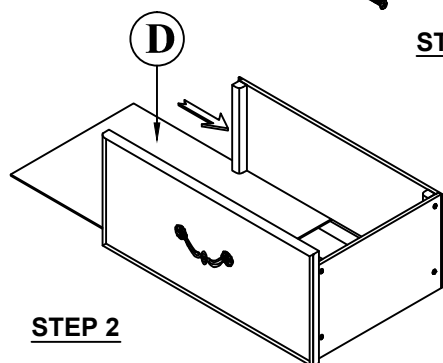
Thank you for purchasing this quality product. Be sure to check all packing material carefully for small parts which may have come loose inside the carton during shipment. Separate, identify and count all parts and metal hardware. Compare with parts list to be sure all parts are present. If any part(s) are missing or damaged, please contact your local furniture dealer. For efficient and speedy service, please indicate the model number and code letter of part(s) needed.

***** Do not fully tighten screws until fully assembled *****

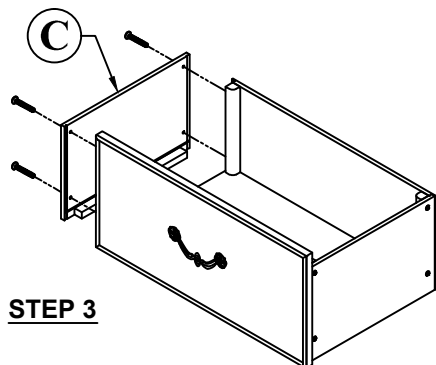
PARTS LIST				HARDWARE LIST			
NO	DESCRIPTION	SKETCH	QTY	NO	DESCRIPTION	SKETCH	QTY
A	DRAWER FRONT		3 Pcs	1	PHILLIPS SCREW		24Pcs
B	BACK PANEL OF DRAWER		3 Pcs	2	SCREW		6Pcs
C	SIDE PANEL OF DRAWER		6 Pcs	3	SCREW		3Pcs
D	BOTTOM PANEL OF DRAWER		3 Pcs	4	Runner		3Pcs



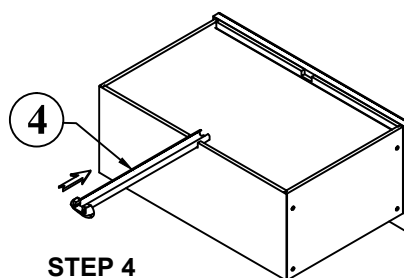
STEP 1



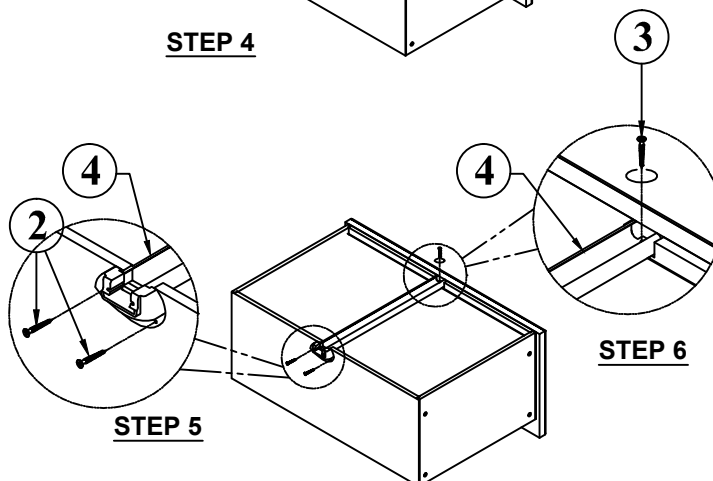
STEP 2



STEP 3

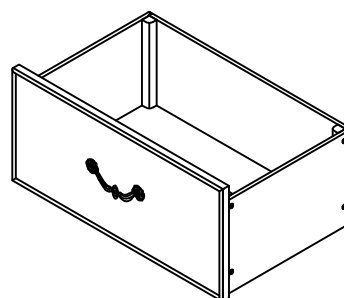


STEP 4



STEP 5

STEP 6





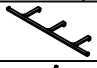



COMPLETED

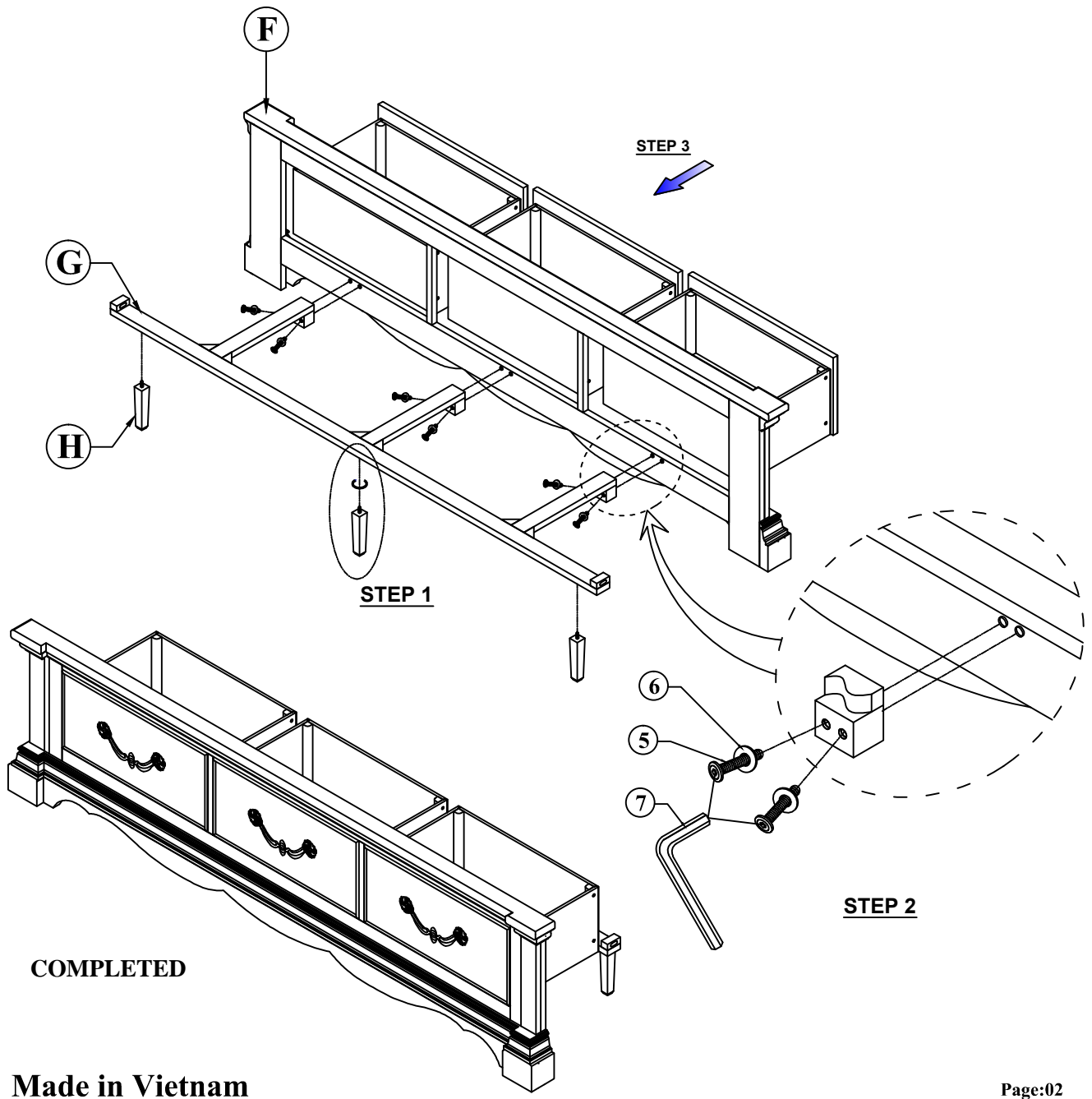
ASSEMBLY INSTRUCTION

MODEL: # 39151 DAY BED - FOOTBOARD

Thank you for purchasing this quality product. Be sure to check all packing material carefully for small parts which may have come loose inside the carton during shipment. Separate, identify and count all parts and metal hardware. Compare with parts list to be sure all parts are present. If any part(s) are missing or damaged, please contact your local furniture dealer. For efficient and speedy service, please indicate the model number and code letter of part(s) needed.

***** Do not fully tighten screws until fully assembled *****

PARTS LIST				HARDWARE LIST			
NO	DESCRIPTION	SKETCH	QTY	NO	DESCRIPTION	SKETCH	QTY
F	FRONT FRAME		1 Pc	5	BOLT		6Pcs
G	BASE FRAME		1 Pc	6	FLAT WASHER		6Pcs
H	SUPPORT LEGS		3 Pcs	7	ALLEN WRENCH		1Pc



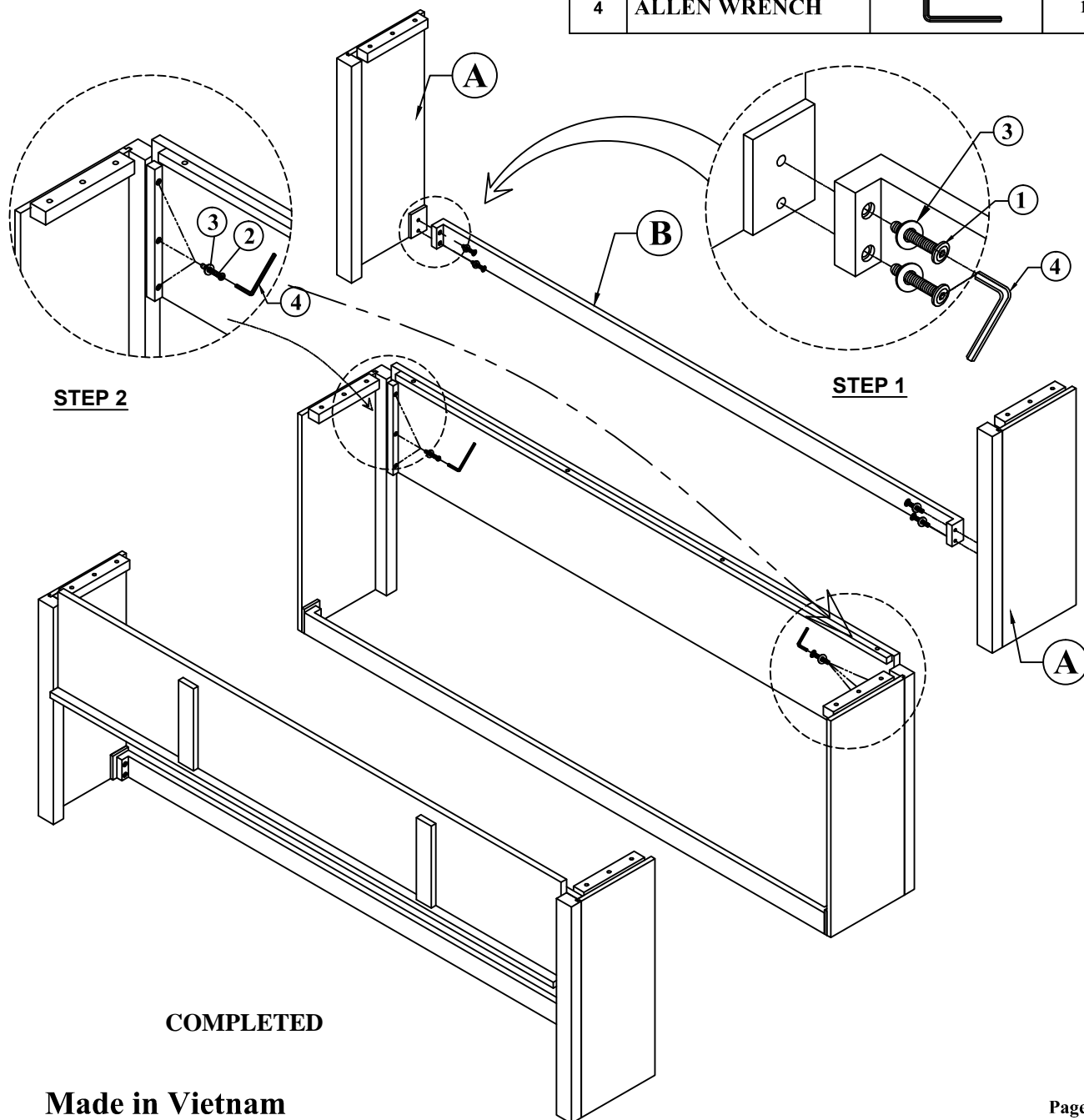
ASSEMBLY INSTRUCTION

MODEL: # 39150 DAY BED - HEADBOARD - LOWER

Thank you for purchasing this quality product. Be sure to check all packing material carefully for small parts which may have come loose inside the carton during shipment. Separate, identify and count all parts and metal hardware. Compare with parts list to be sure all parts are present. If any part(s) are missing or damaged, please contact your local furniture dealer. For efficient and speedy service, please indicate the model number and code letter of part(s) needed.

***** Do not fully tighten screws until fully assembled *****

PARTS LIST				HARDWARE LIST			
NO	DESCRIPTION	SKETCH	QTY	NO	DESCRIPTION	SKETCH	QTY
A	SIDE FRAME (R/ L)		2 Pcs	1	BOLT		8Pcs
B	STRETCHER		1 Pc	2	BOLT		12Pcs
C	FRONT PANEL		6 Pcs	3	FLAT WASHER		20Pcs
				4	ALLEN WRENCH		1Pc





ASSEMBLY INSTRUCTION

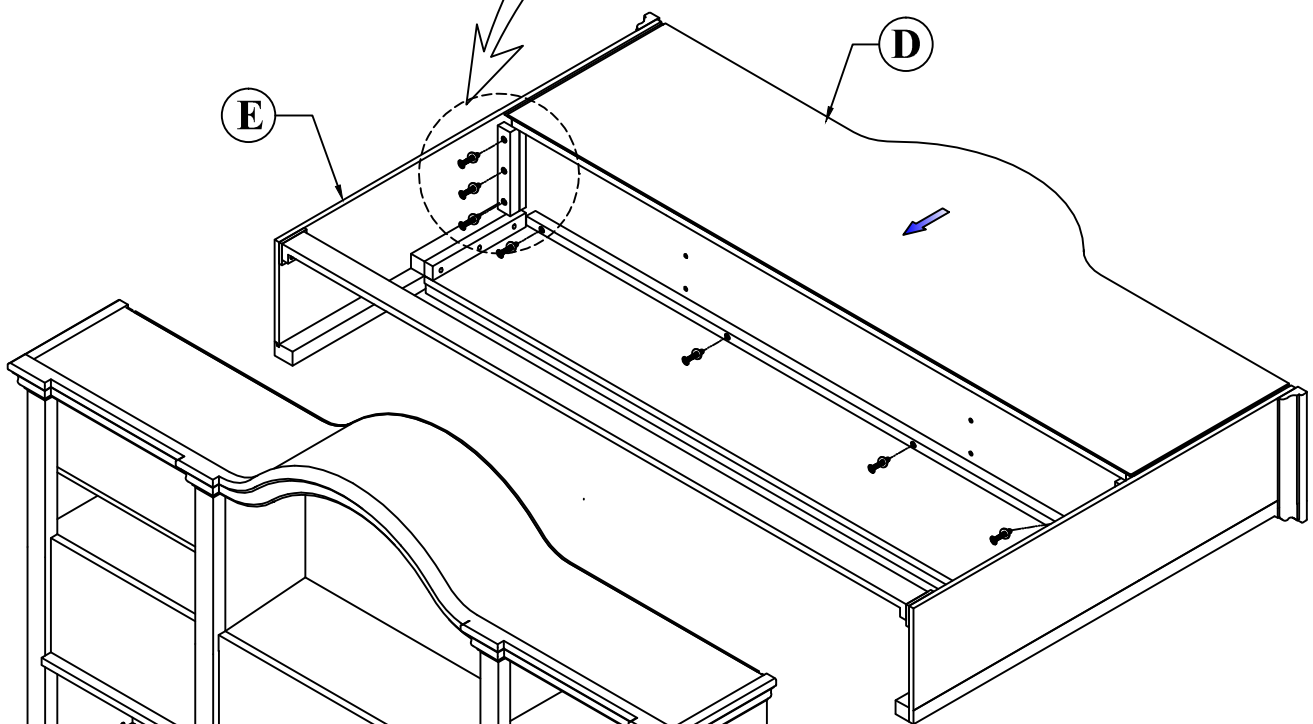
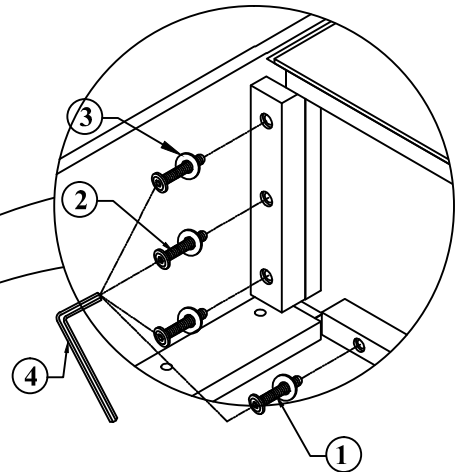
MODEL: # 39150 DAY BED - HEADBOARD - UPPER

Thank you for purchasing this quality product. Be sure to check all packing material carefully for small parts which may have come loose inside the carton during shipment. Separate, identify and count all parts and metal hardware. Compare with parts list to be sure all parts are present. If any part(s) are missing or damaged, please contact your local furniture dealer. For efficient and speedy service, please indicate the model number and code letter of part(s) needed.

***** Do not fully tighten screws until fully assembled *****

PARTS LIST

NO	DESCRIPTION	SKETCH	QTY
D	UPPER FRAME		1 Pc
E	UNDER FRAME		1 Pc



COMPLETED





ASSEMBLY INSTRUCTION

MODEL: # 39150/51/52 DAY BED






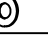



Thank you for purchasing this quality product. Be sure to check all packing material carefully for small parts which may have come loose inside the carton during shipment. Separate, identify and count all parts and metal hardware. Compare with parts list to be sure all parts are present. If any part(s) are missing or damaged, please contact your local furniture dealer. For efficient and speedy service, please indicate the model number and code letter of part(s) needed.

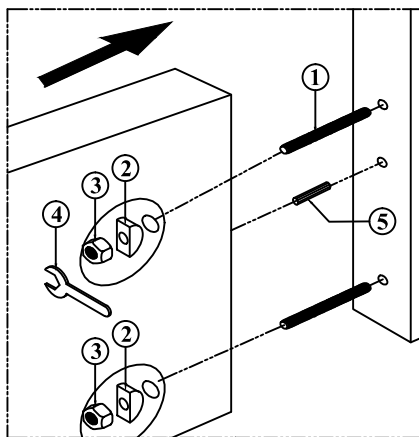
***** Do not fully tighten screws until fully assembled *****

PARTS LIST

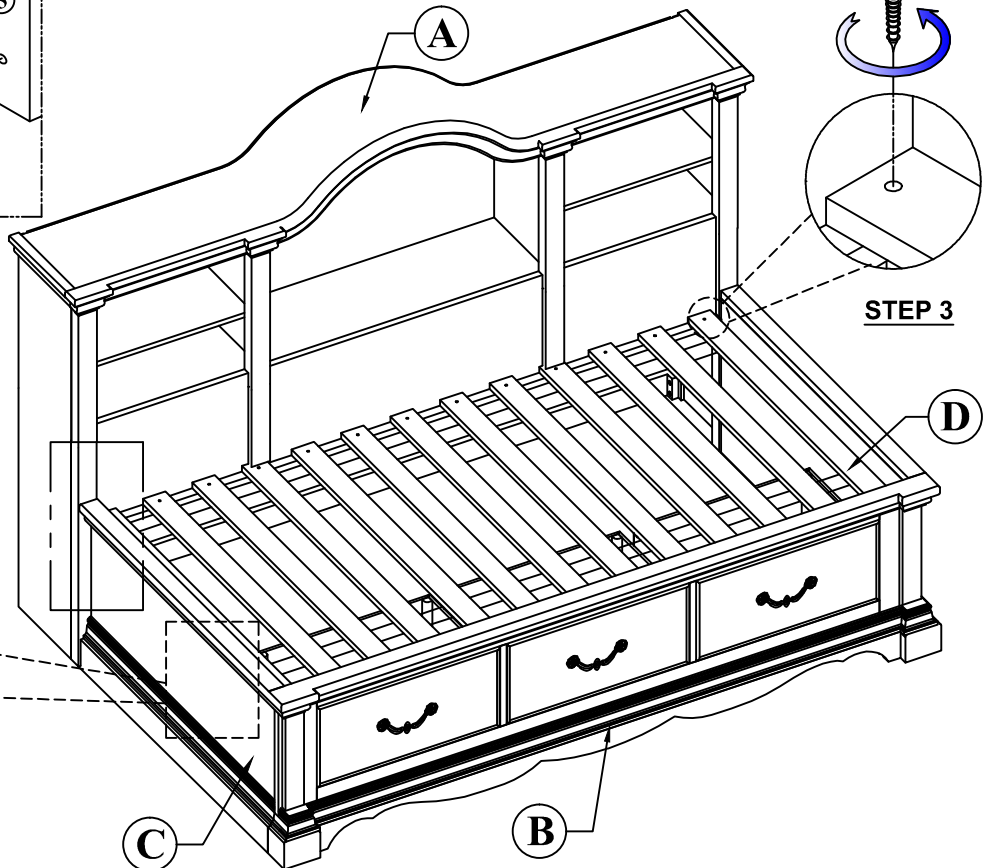
NO	DESCRIPTION	SKETCH	QTY
A	HEADBOARD		2 Pcs
B	FOOTBOARD		1 Pc
C	SIDE RAILS		2 Pcs
D	SLATS		1Set

HARDWARE LIST

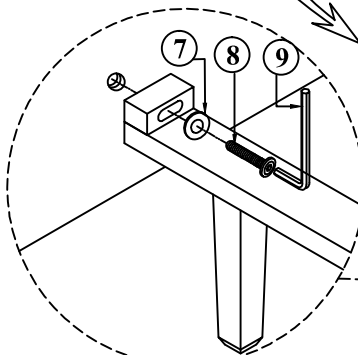
NO		SKETCH	QTY
1	BOLT		8 Pcs
2	FLAT WASHER		8 Pcs
3	NUT		8 Pcs
4	SPANNER WRENCH		1 Pc
5	WOODEN PEGS		4 Pcs
6	SCREW		26 Pcs
7	FLAT WASHER		2Pcs
8	BOLT		2Pcs
9	ALLEN WRENCH		1Pc



STEP 1



STEP 3



STEP 2

Made in Vietnam