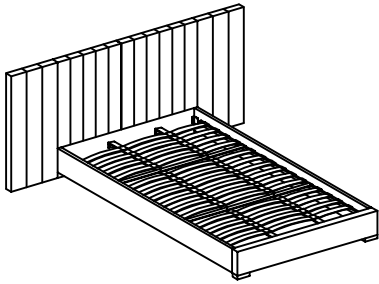


# ASSEMBLY INSTRUCTION

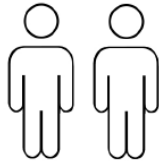
## KING



### + Do Not Use Power Tools



### + Suggested Adults



### NOTE:

- 1 Read instructions cover to cover.
- 2 Save all packaging until assembly is completed.

### 1 IMPORTANT SAFETY INFORMATION

**Do not** assemble the product if any of the following parts arrived damaged:

- Part # - Side Rails
- Part # - Center Support Bar
- Part # - Support Legs
- Part # - Slats

### 2 IMPORTANT ASSEMBLY INFORMATION

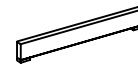
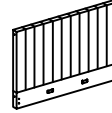
**Assembly Step** Ensure the side rail bracket is fully hooked onto bolt loosely threaded with both washers on the **OUTSIDE** of the bracket first, then proceed to fully tightening all 4 corners.

**Assembly Step** When installing slats, ensure that the curve is facing upwards. (✓) (✗)

\*Slats come packed in the bottom of headboard carton.

### + Parts Included

- ① Headboard (1 of pc)    ② Footboard (1 of pc)    ③ Side Rail (2 of pcs)



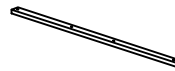
- ④ Side Wing (2 of pcs)    ⑤ Center Rail (2 of pcs)    ⑥ Support Leg (6 of pcs)



- ⑦ Slat (42 of pcs)    ⑧ Middle Holder (28 of pcs)    ⑨ End Holder (28 of pcs)

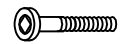


- ⑩ Stiffener Slat (2 of pcs)



### + Hardware Included

- A JCBB M8x20mm (8 of pcs)    B JCBC M6x40mm (6 of pcs)    C JCBC M6x50mm (4 of pcs)



- D Allen Key M5 x 70mm (1 of pc)    E Allen Key M4 x 65mm (1 of pc)    F CSK M4 x 16mm (12 of pcs)



- G CSK M4 x 25mm (4 of pcs)    H CSK M4 x 32mm (8 of pcs)    I Spring Washer (4 of pcs)



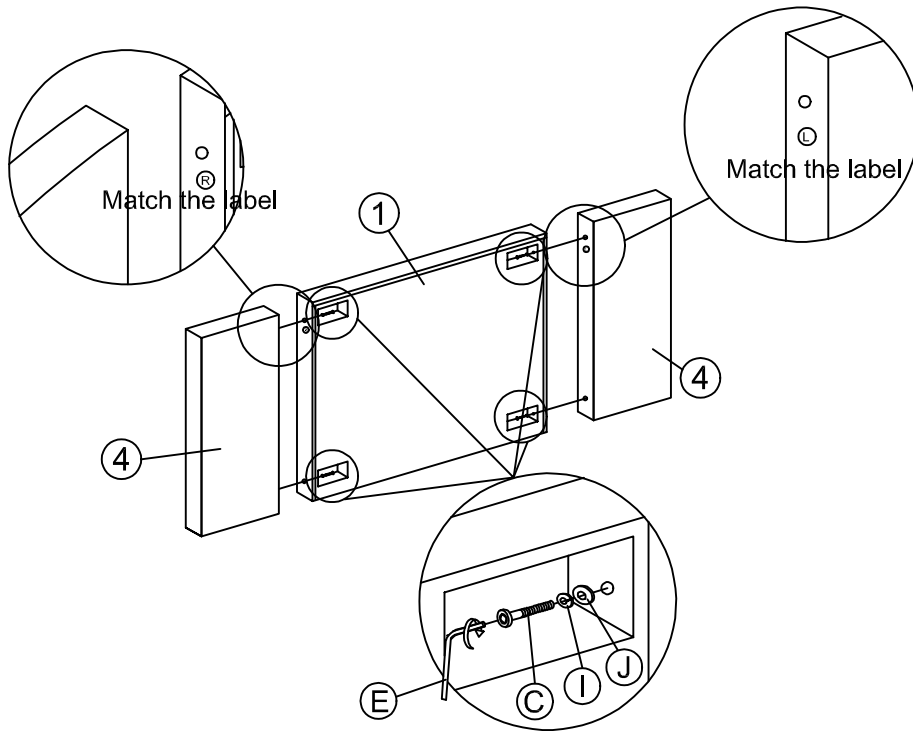
- J Flat Washer (4 of pcs)    K Adjuster (6 of pcs)



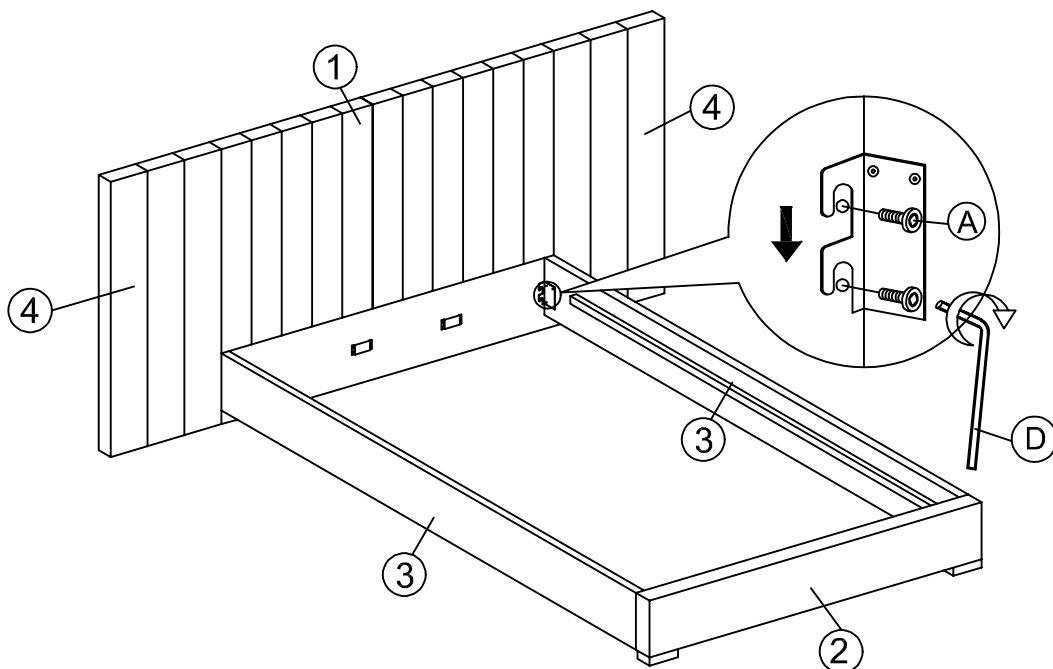
# ASSEMBLY INSTRUCTION

## KING

1



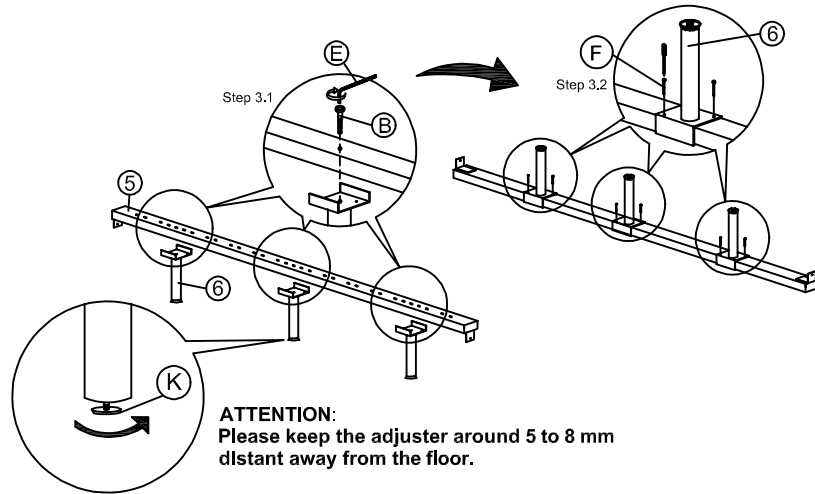
2



# ASSEMBLY INSTRUCTION

## KING

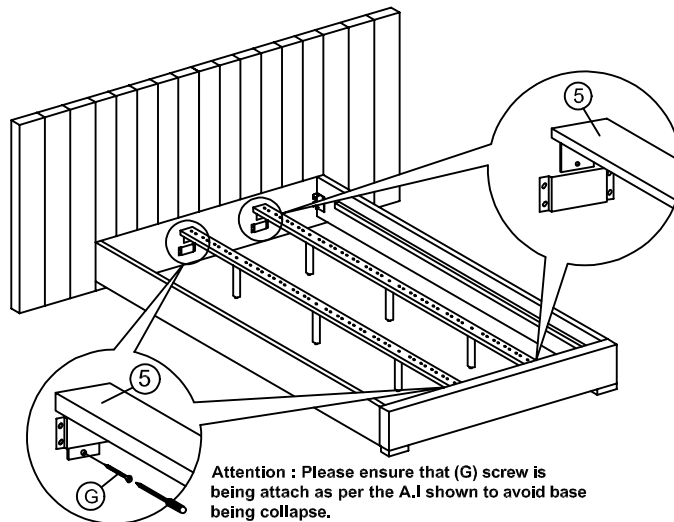
3



**ATTENTION:**  
Please keep the adjuster around 5 to 8 mm  
distant away from the floor.

x2

4



Attention : Please ensure that (G) screw is  
being attach as per the A.I shown to avoid base  
being collapse.

5

When installing slat, ensure that curve is  
facing upwards. (✓) (X)

