

## USE AND MAINTENANCE

Use on level surfaces only

Because this product needs assembly, it is prone to working itself loose from time to time depending on the use. Please take the time to check that all connections are still tight and working properly  
Only clean using a damp cloth and mild detergent, do not use bleach or abrasive cleaners.

# Chesterfield Chair

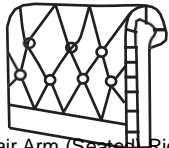
## PART LIST



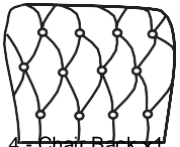
1 - Chair Assembly x1



2 - Chair Arm (Seated) Left x1



3 - Chair Arm (Seated) Right x1



4 - Chair Back x1



5 - Chair Front Panel x1

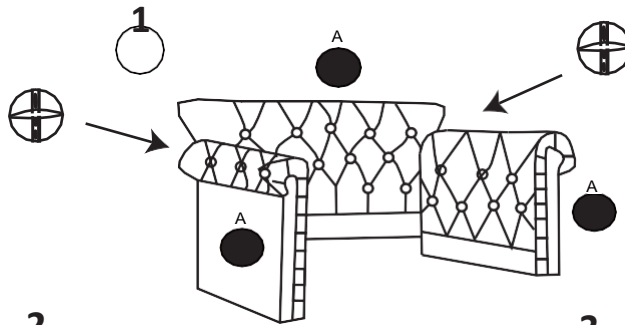


6 - Chair Seat x1

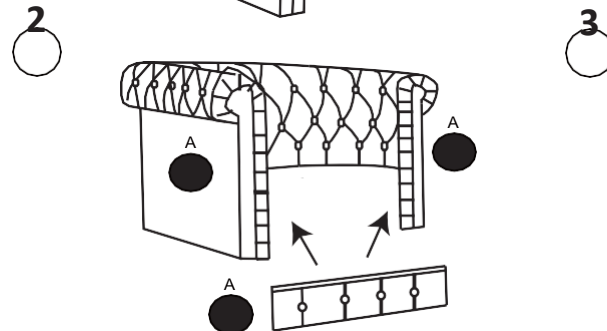


7 - Chair Leg x4

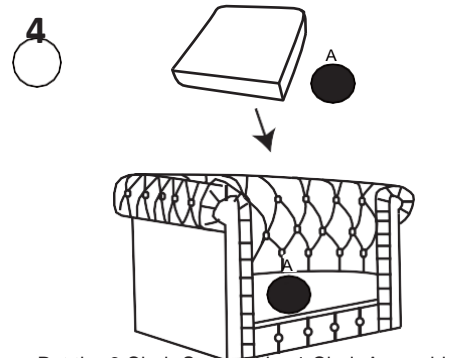
## Assembly Instructions



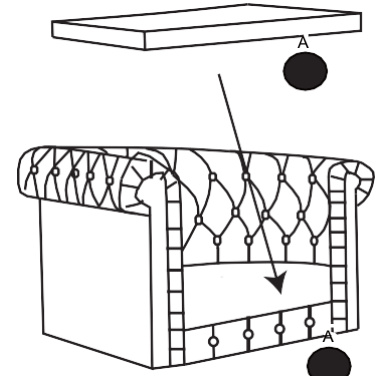
Select 4 Chair Back x1, 2 Chair Arm (Seated) Left and 3 Chair Arm (Seated) Right. Insert 2 and 3 into hole in Chair Back to hand tighten.



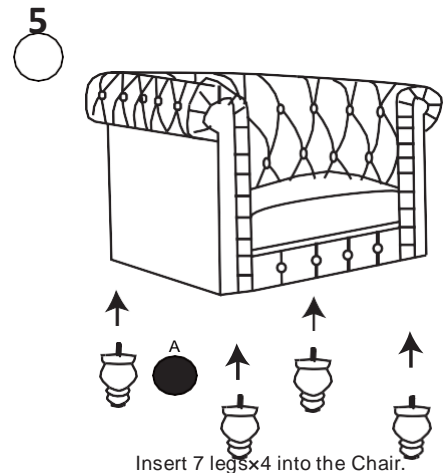
Select 5 Chair Front Panel x1, Insert 5 into the 2 and 3.



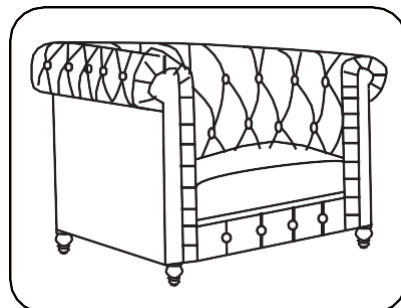
Put the 6 Chair Seat on the 1 Chair Assembly to make chair comfortable.



Put the 1 Chair Assembly on the 5.



Insert 7 legs x4 into the Chair.



Congratulations! Setup of your new Emery Chesterfield Chair is Complete!