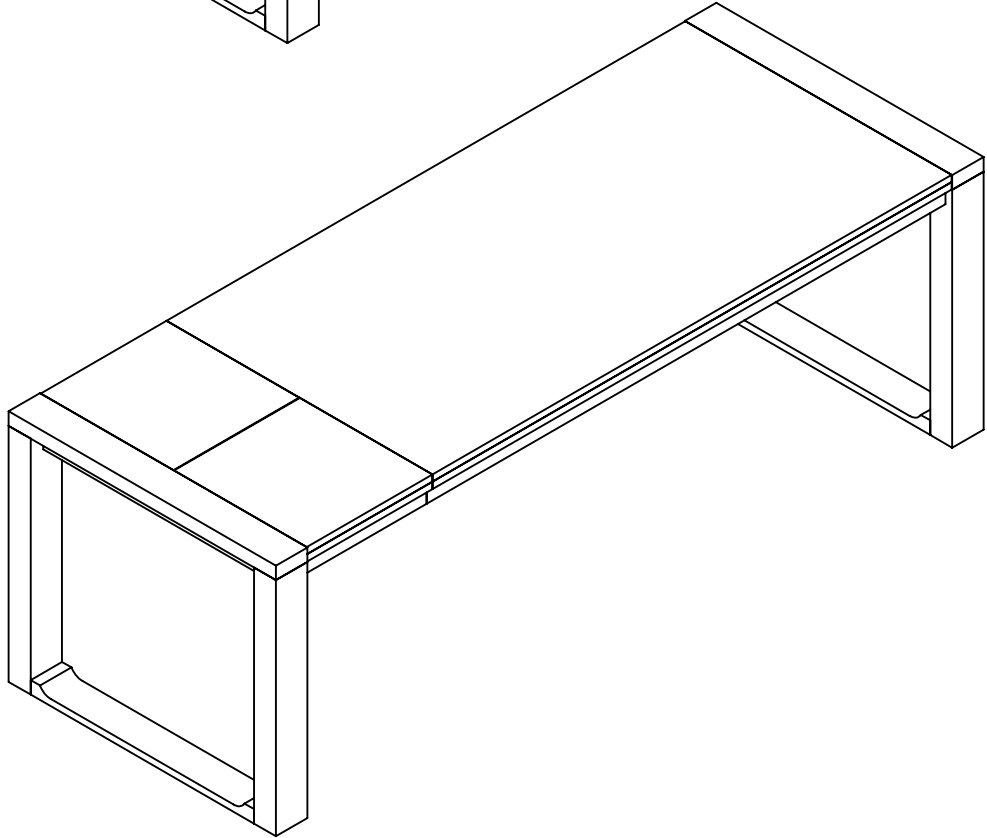
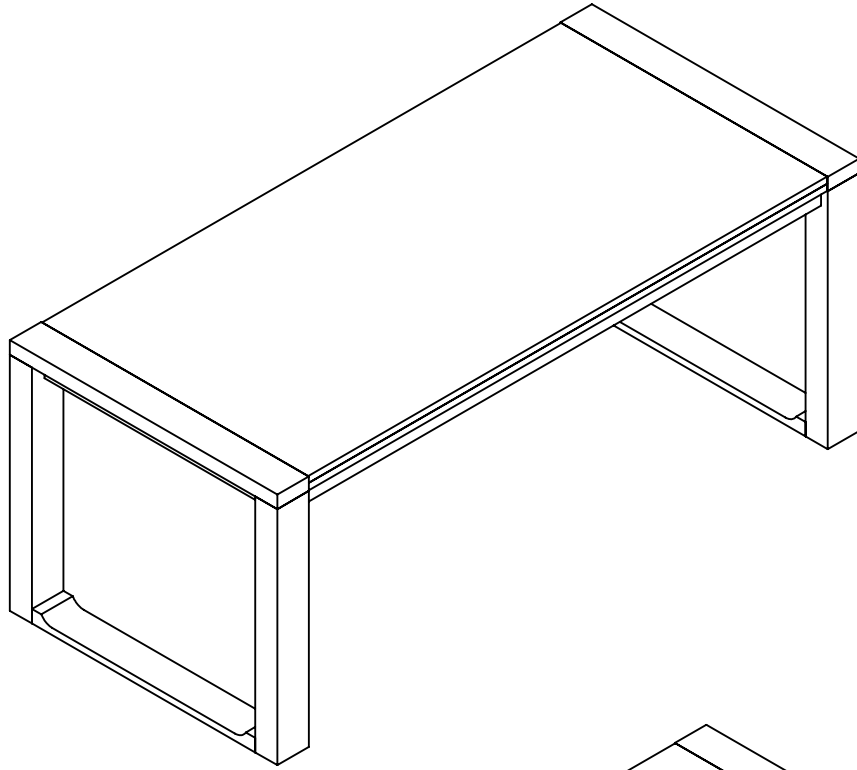
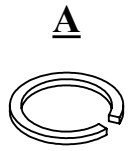
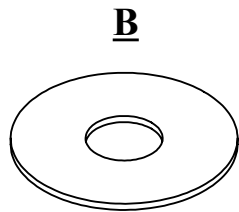


RASMUS EXTENSION DINING TABLE
ASSEMBLY INSTRUCTIONS

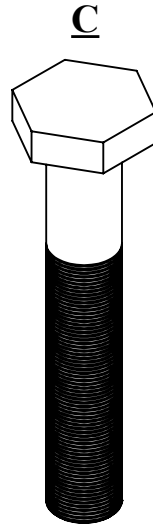




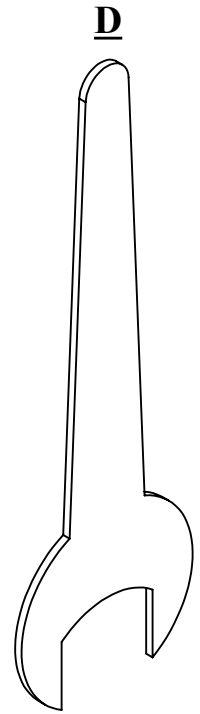
12PCS
M10*10



12PCS
M10*30

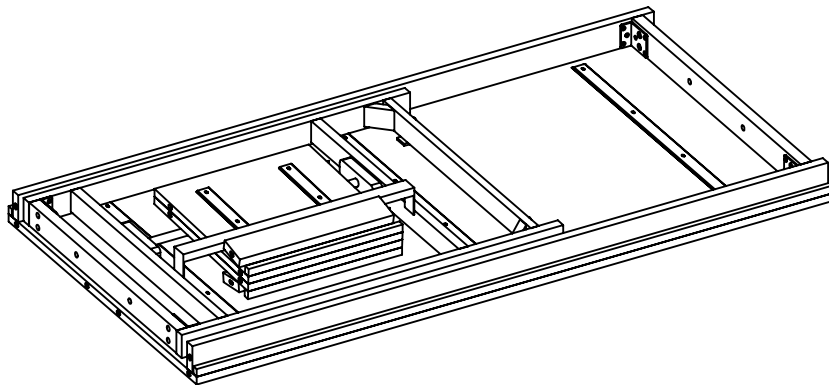


12PCS
M10*60

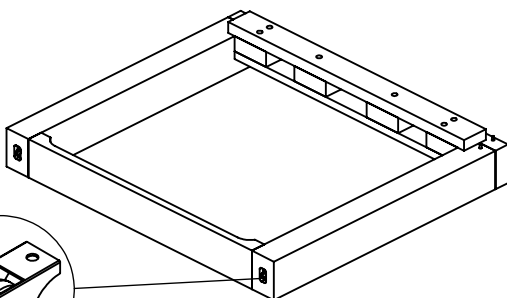


1PC
Allen Wrench
M17*100

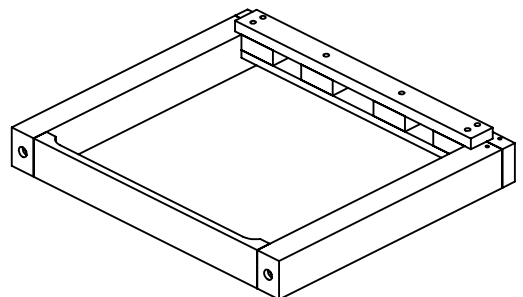
①



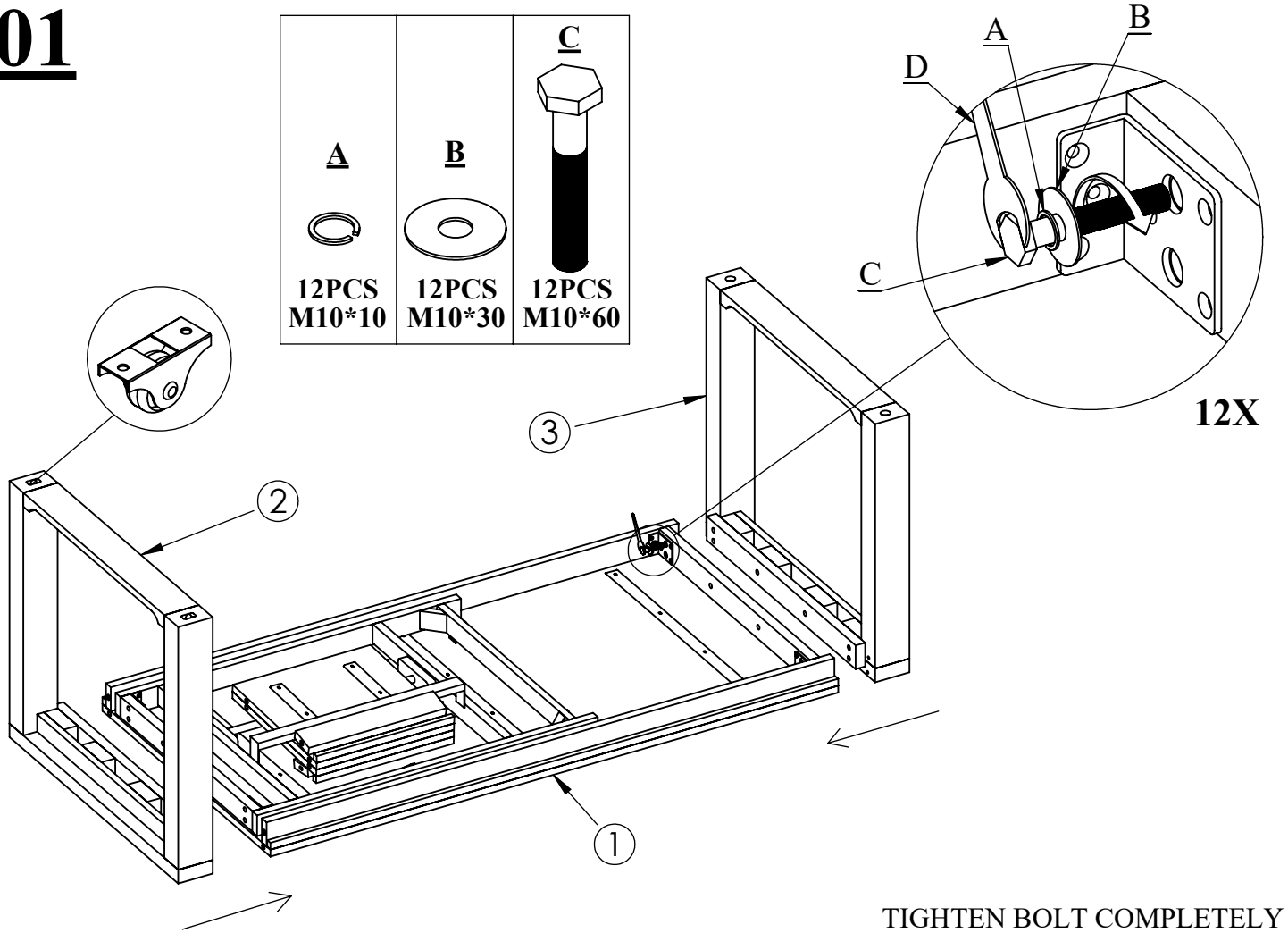
②



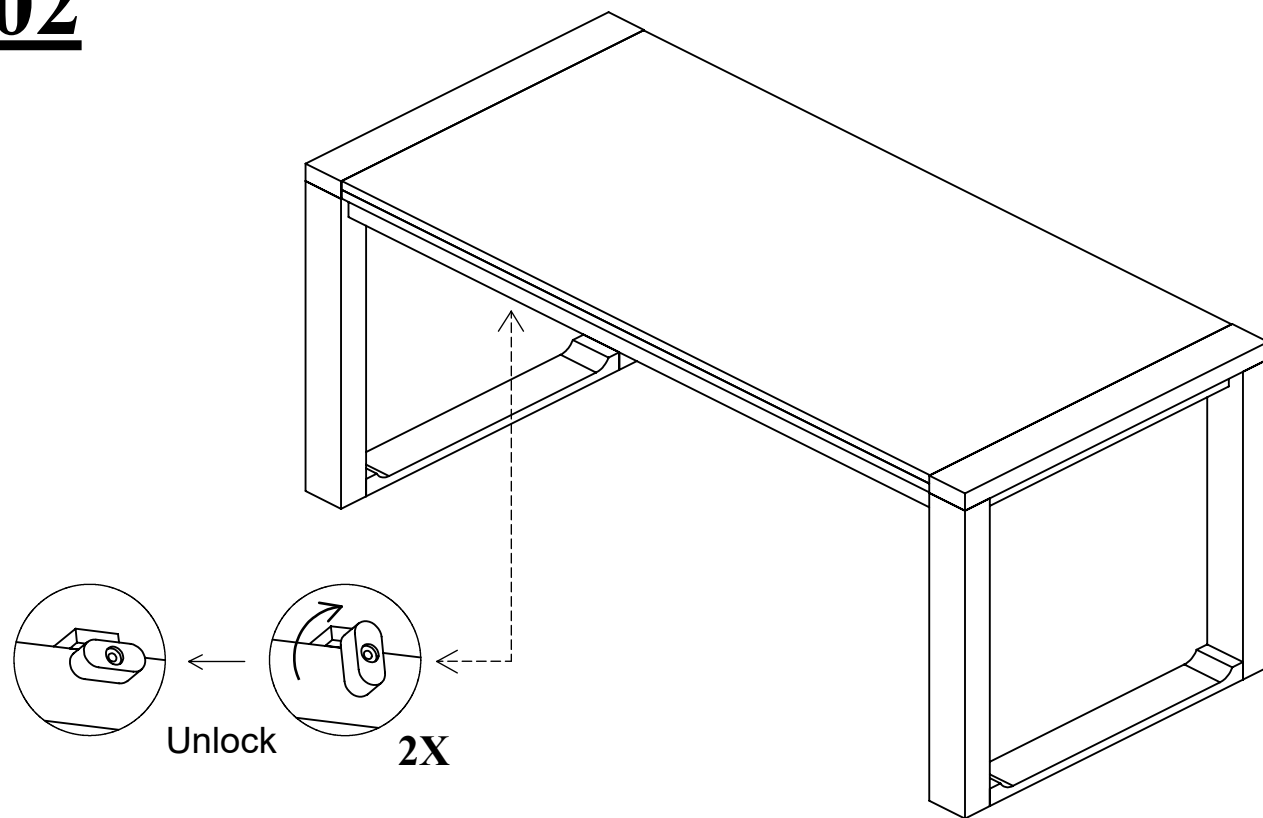
③



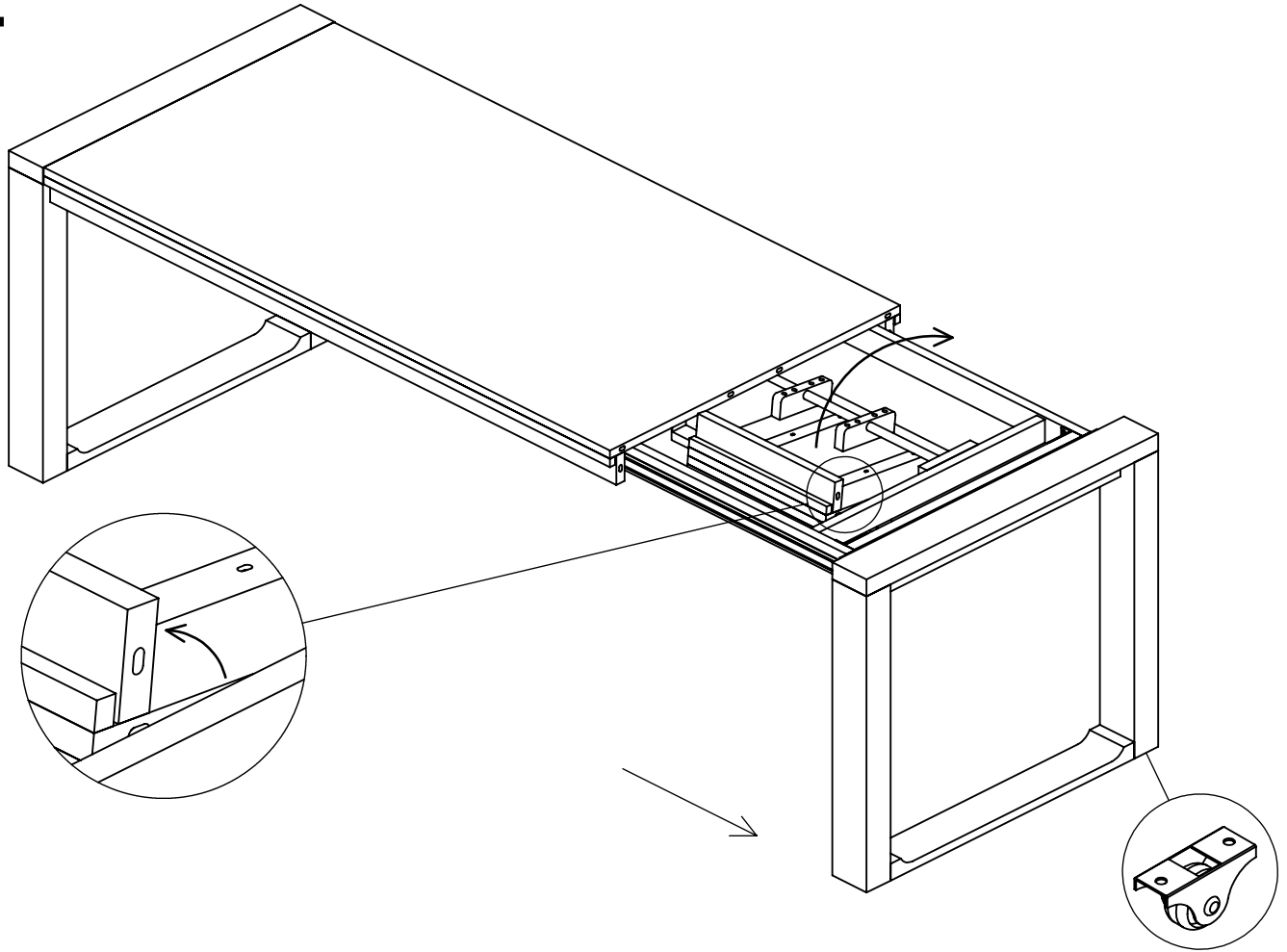
01



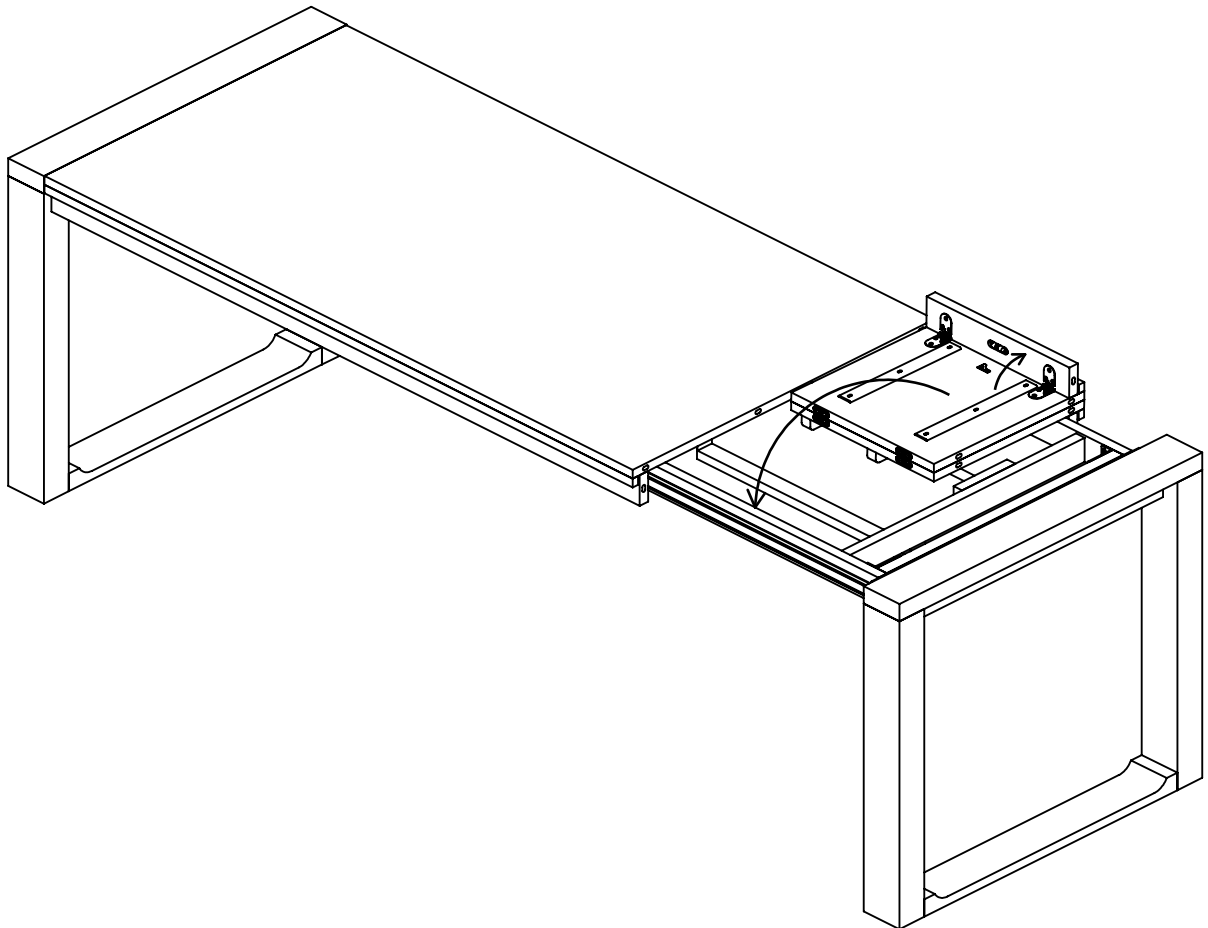
02



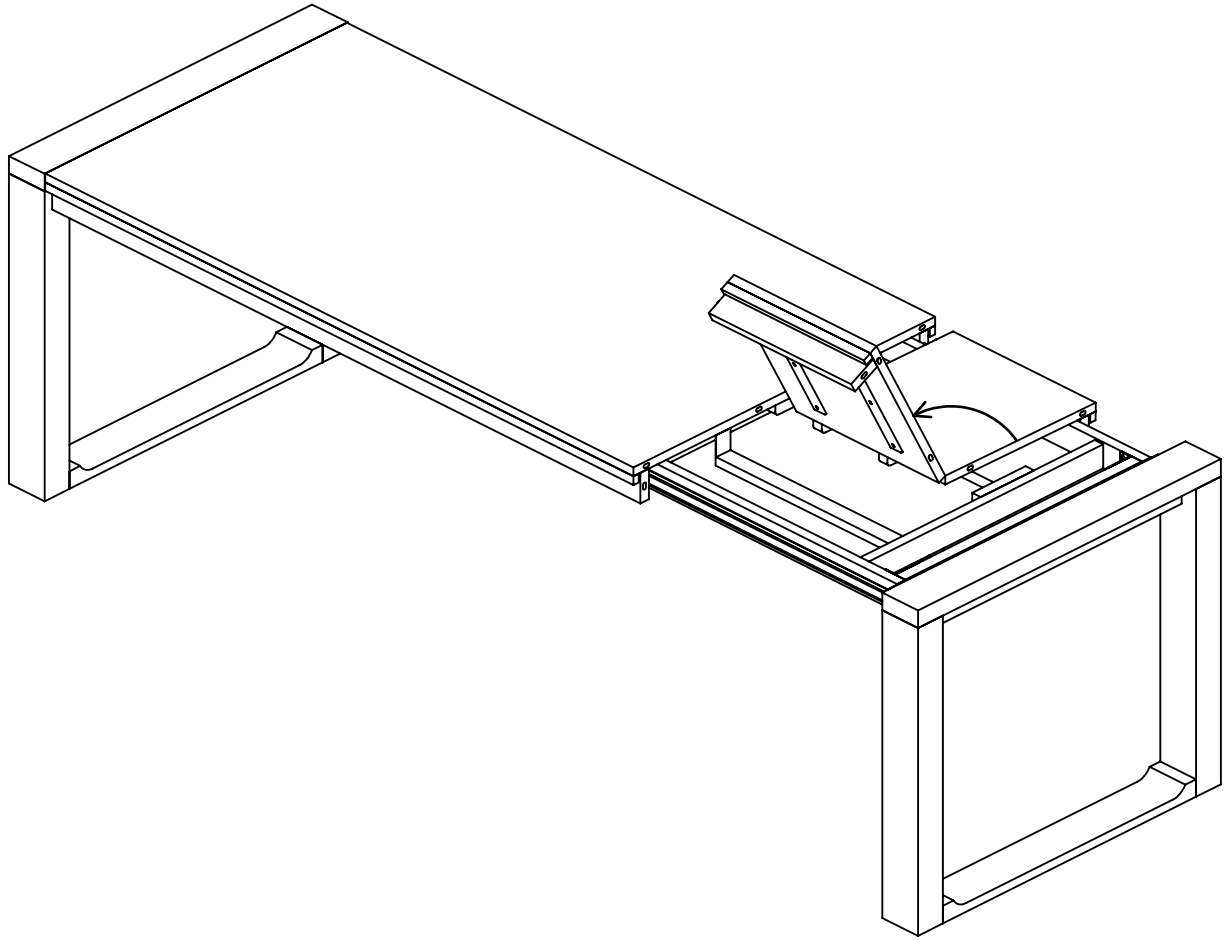
03



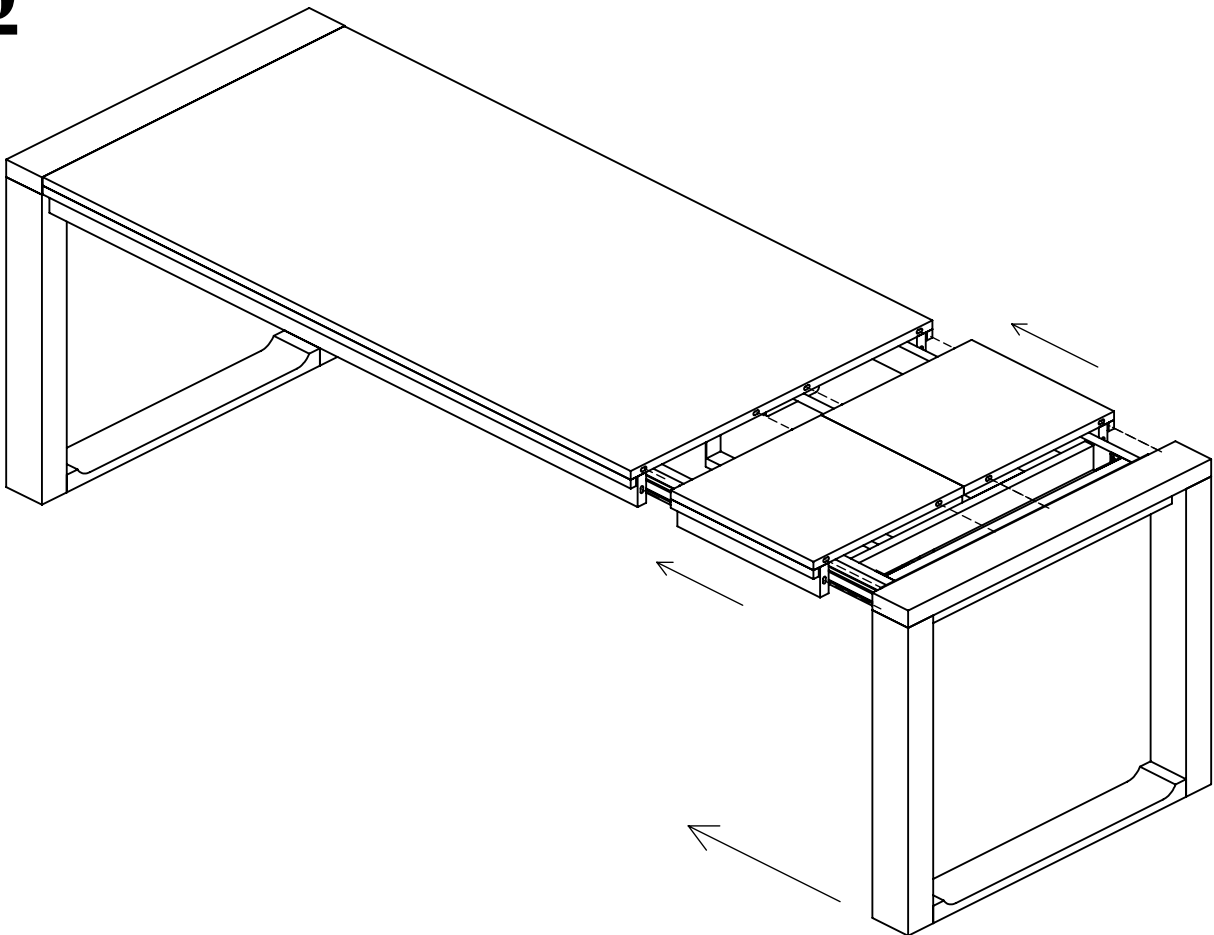
04

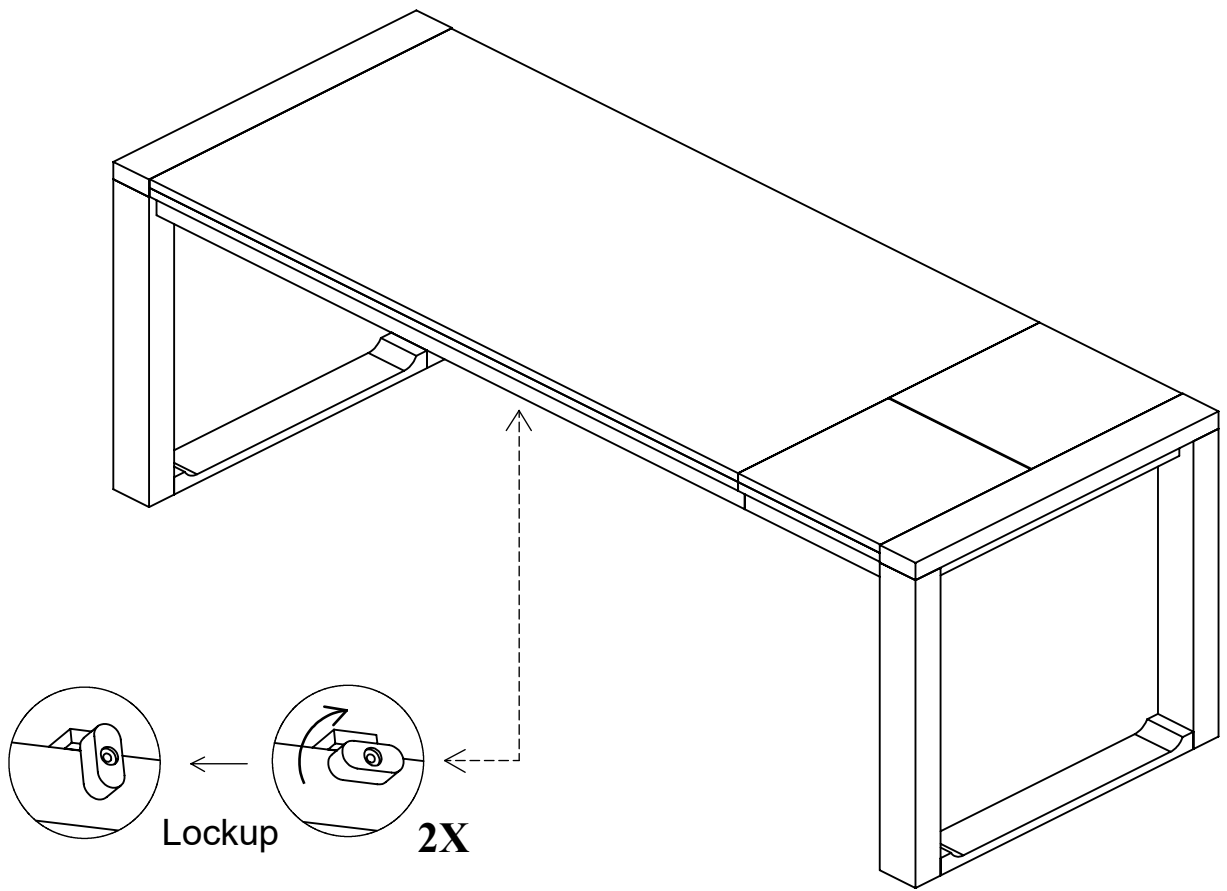


05



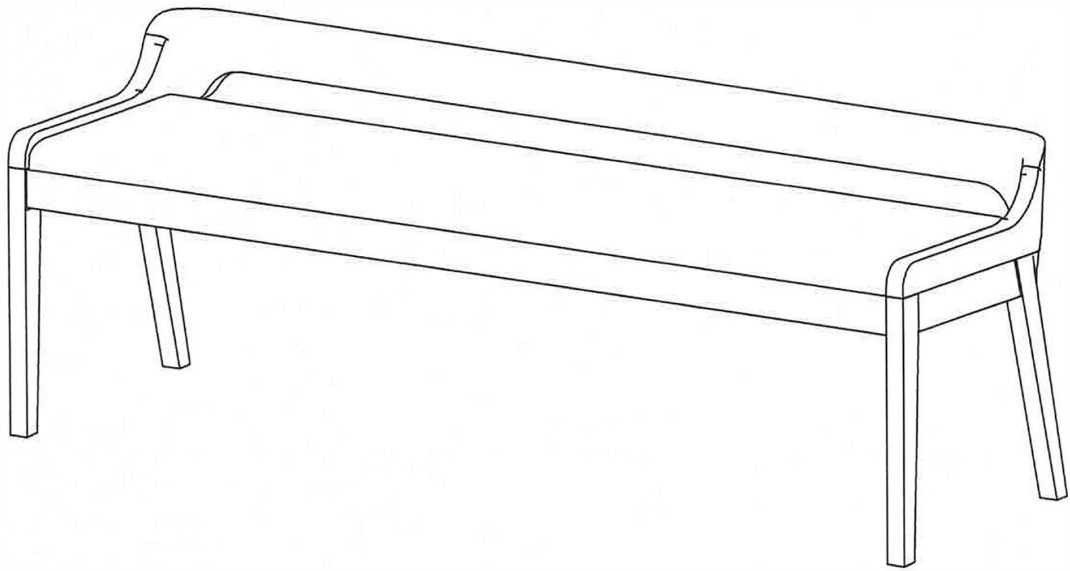
06

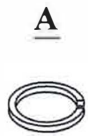




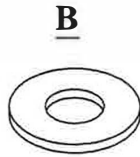
BE SURE TO CHECK ALL BOLTS SECURELY
TIGHTENED PRIOR USING THIS TABLE

RASMUS DINING BENCH
ASSEMBLY INSTRUCTIONS





8PCS



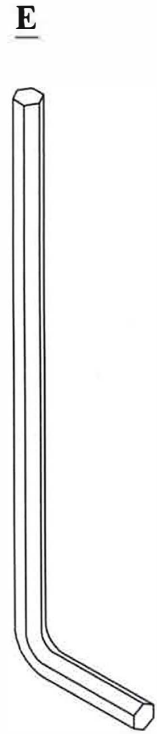
8PCS



8PCS

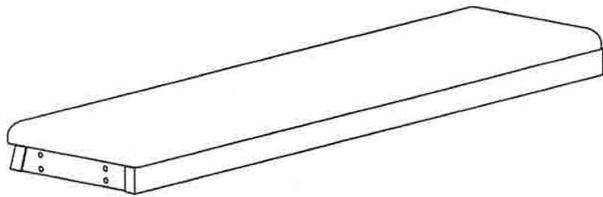


6PCS

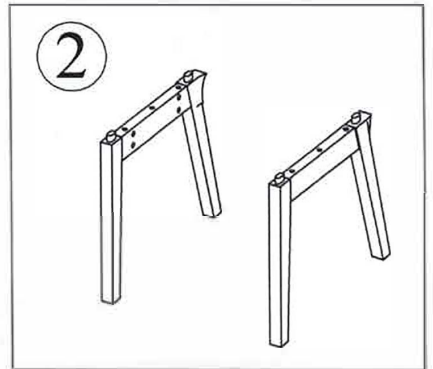


1PC

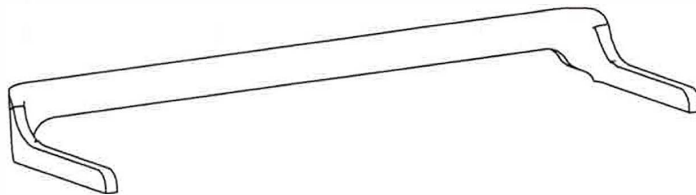
①



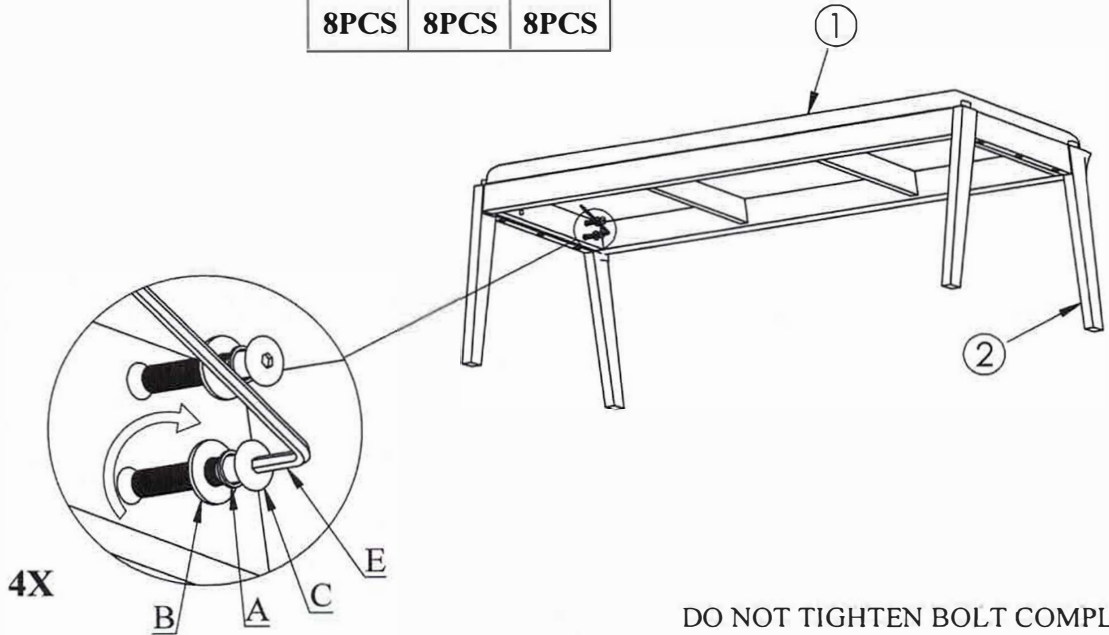
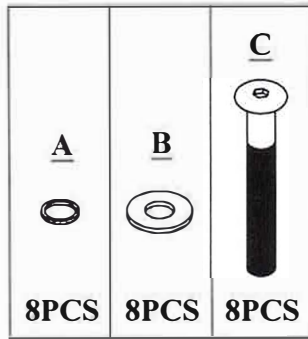
②



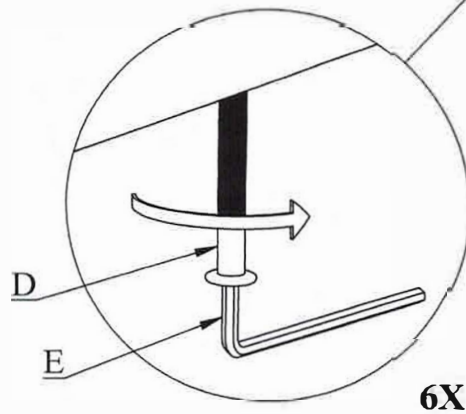
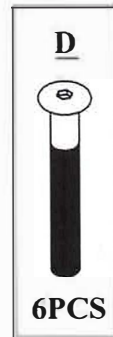
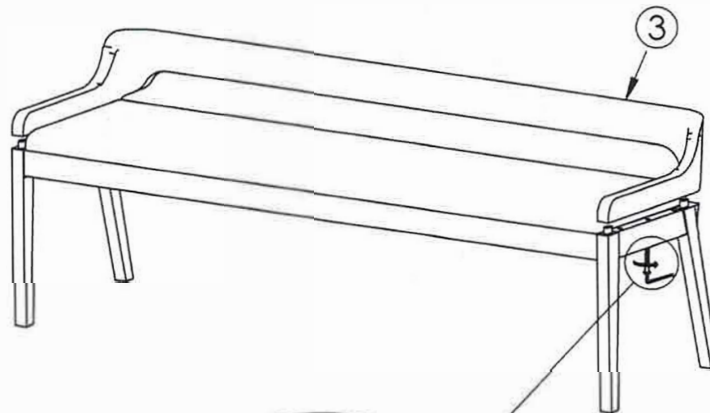
③



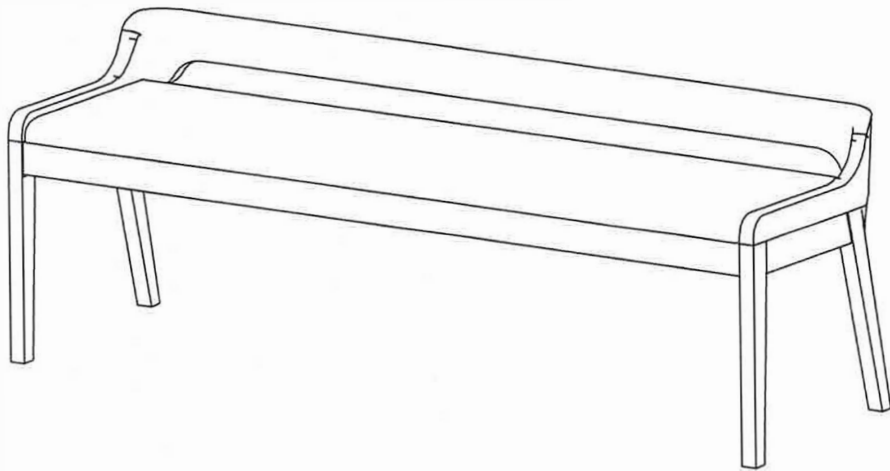
01



02

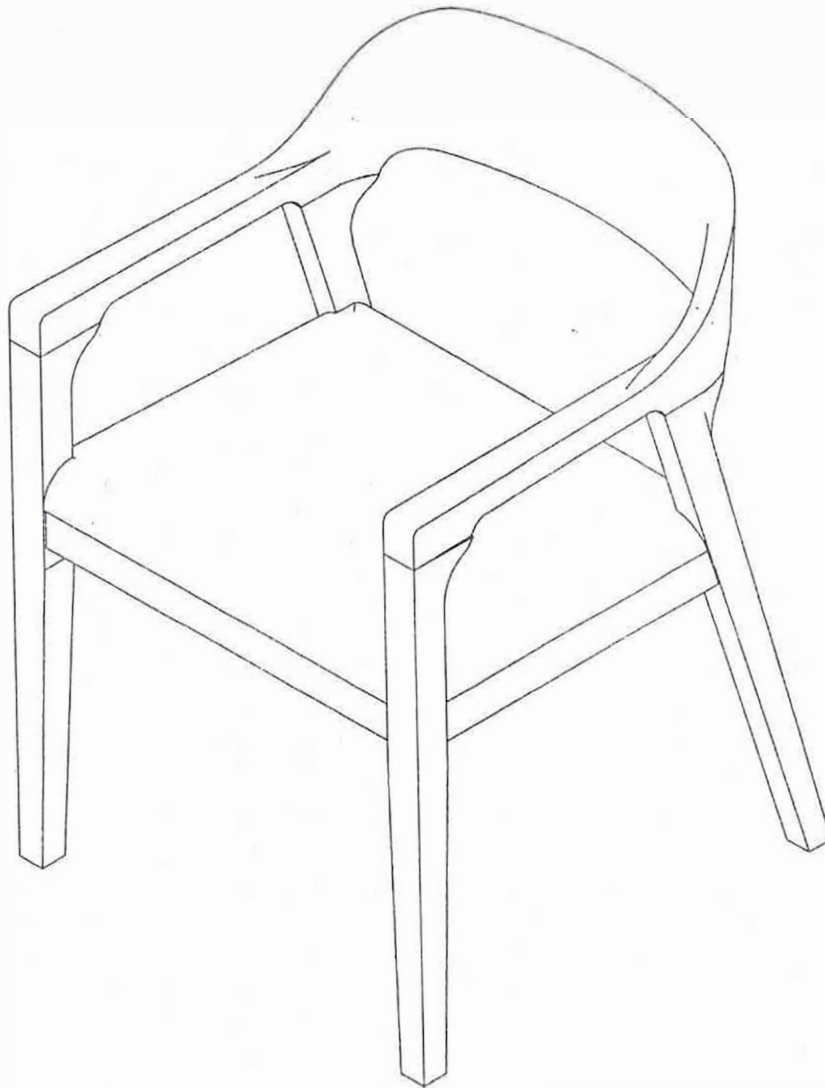


DO NOT TIGHTEN BOLT COMPLETELY



BE SURE TO CHECK ALL BOLTS SECURELY
TIGHTENED PRIOR USING THIS BENCH

RASMUS DINING ARM CHAIR ASSEMBLY INSTRUCTIONS



A

9PCS

B

9PCS

C

2PCS

D


7PCS

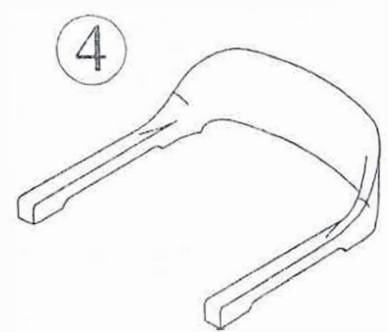
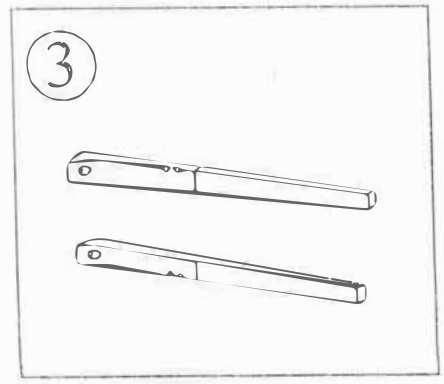
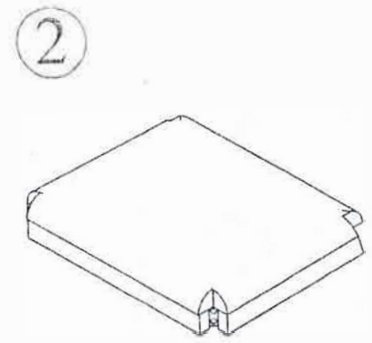
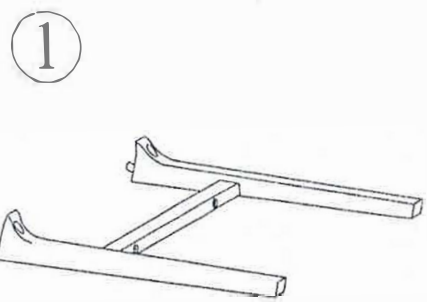
E

4PCS




F

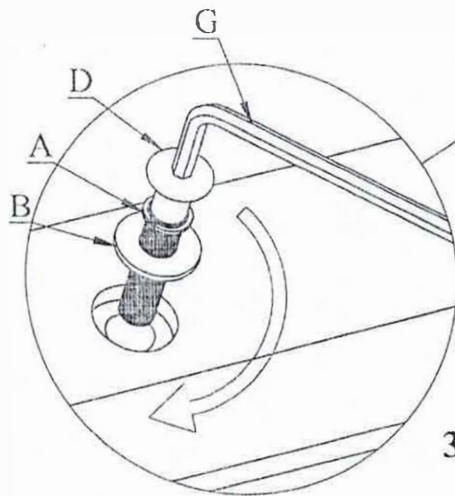
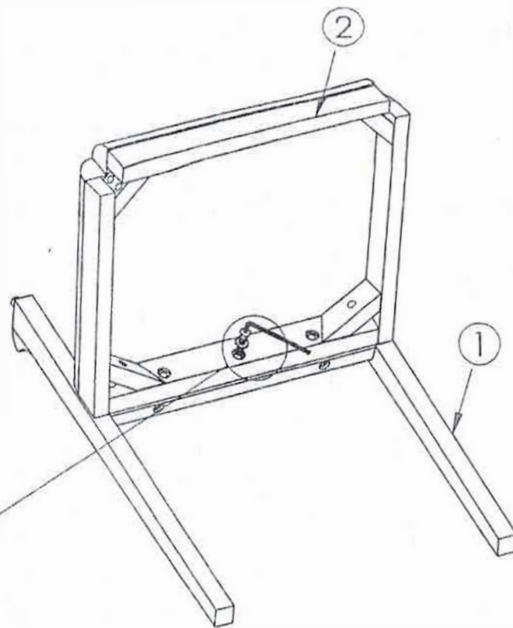
2PCS

G

1PC



01




<u>A</u> 	<u>B</u> 	<u>D</u> 
3PCS	3PCS	3PCS

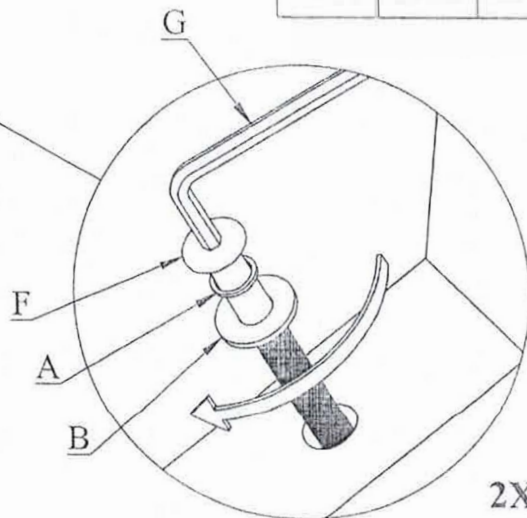
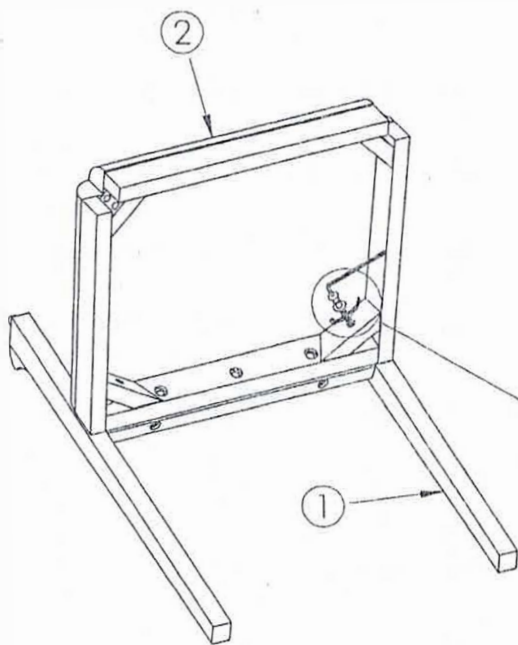


3X

DO NOT TIGHTEN BOLT COMPLETELY

02

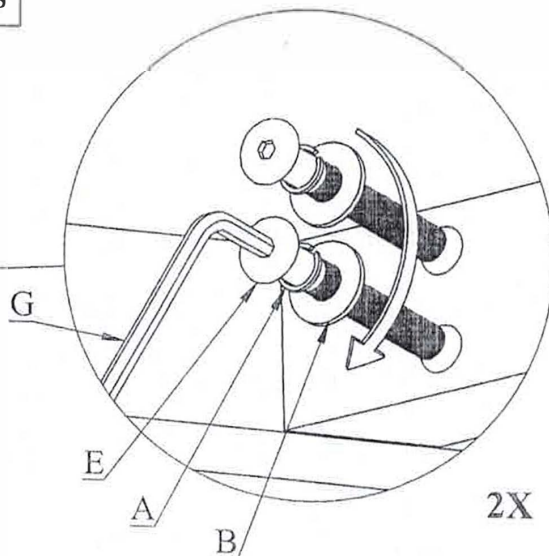
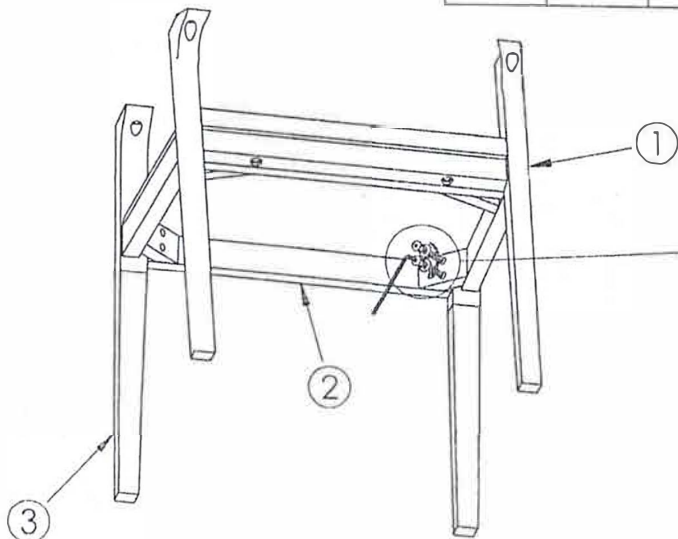
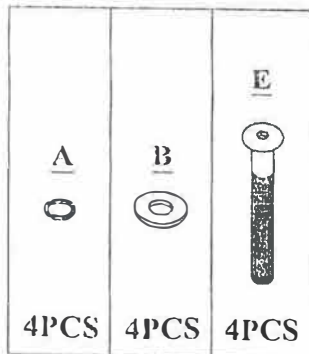
<u>A</u> 	<u>B</u> 	<u>F</u> 
2PCS	2PCS	2PCS



2X

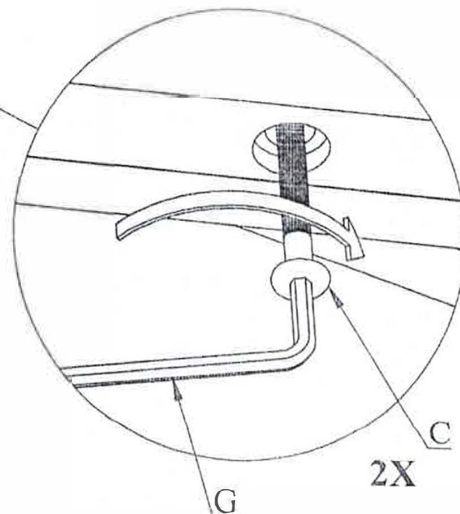
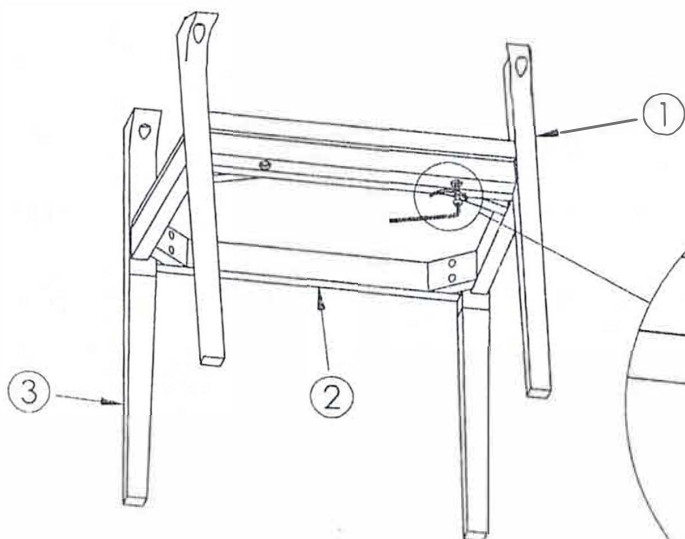
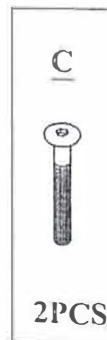
DO NOT TIGHTEN BOLT COMPLETELY

03

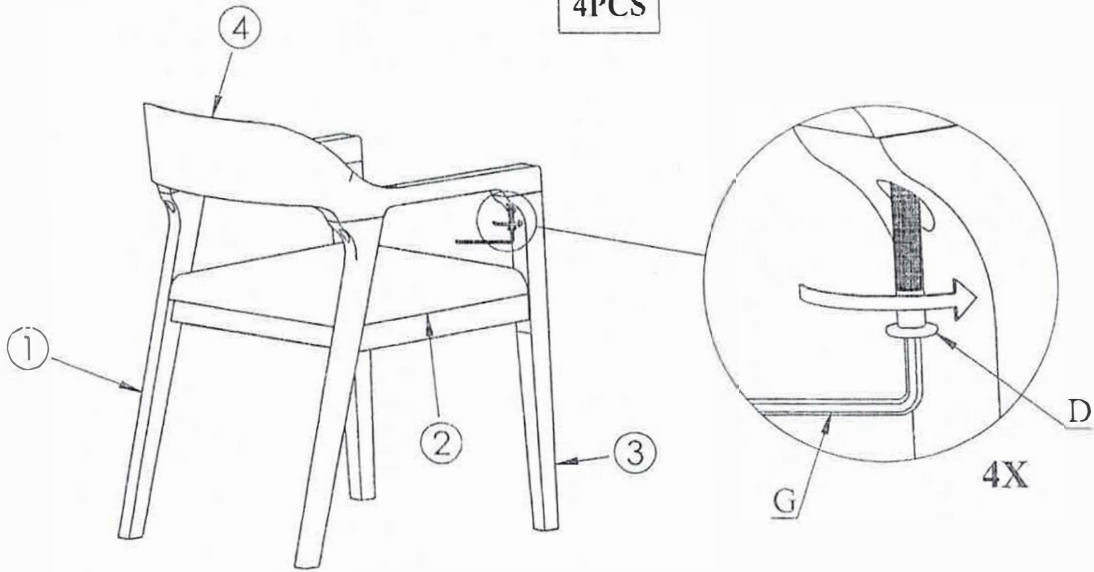


DO NOT TIGHTEN BOLT COMPLETELY

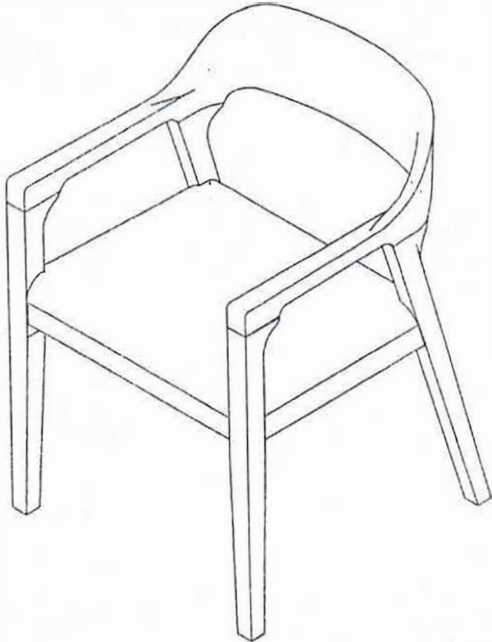
04



DO NOT TIGHTEN BOLT COMPLETELY



DO NOT TIGHTEN BOLT COMPLETELY



BE SURE TO CHECK ALL BOLTS SECURELY
TIGHTENED PRIOR USING THIS CHAIR