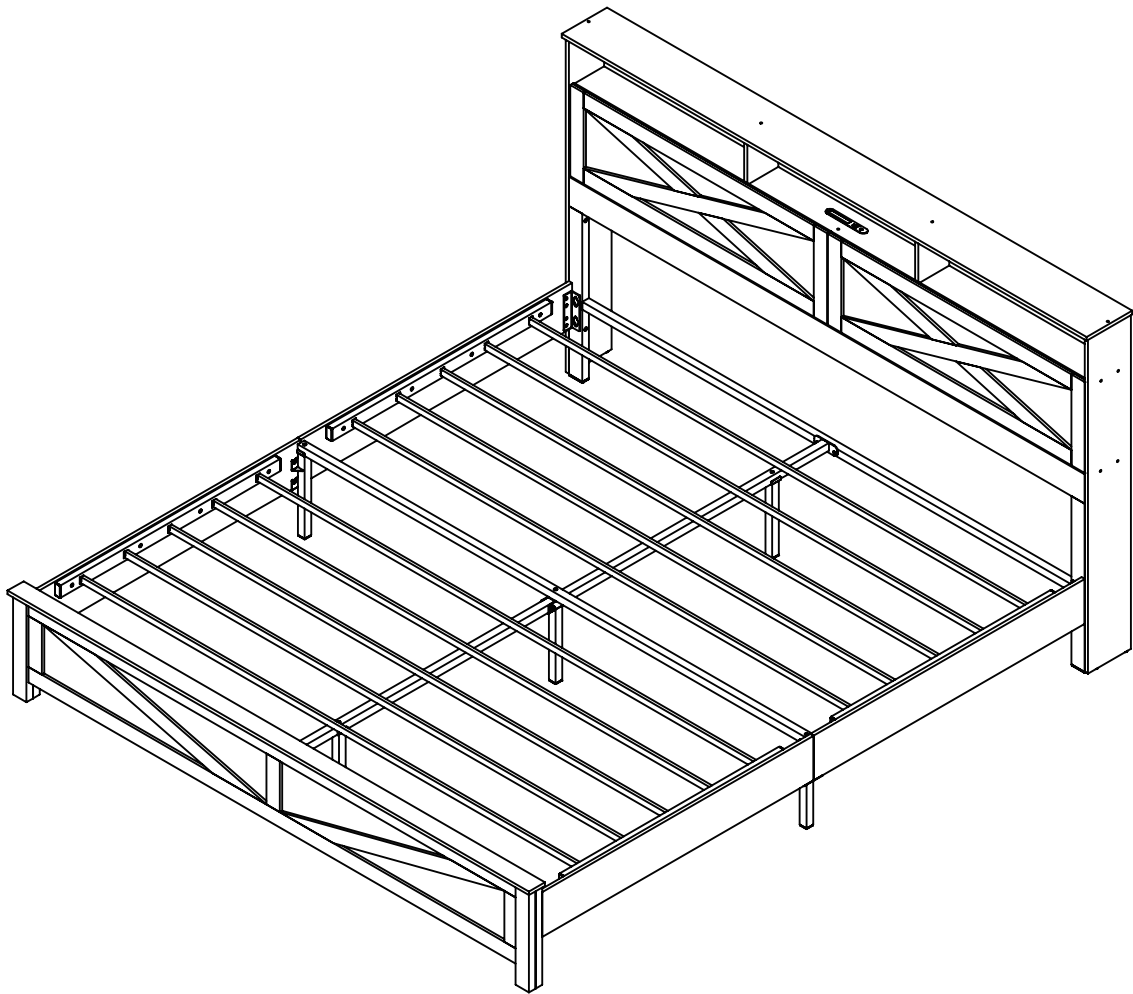
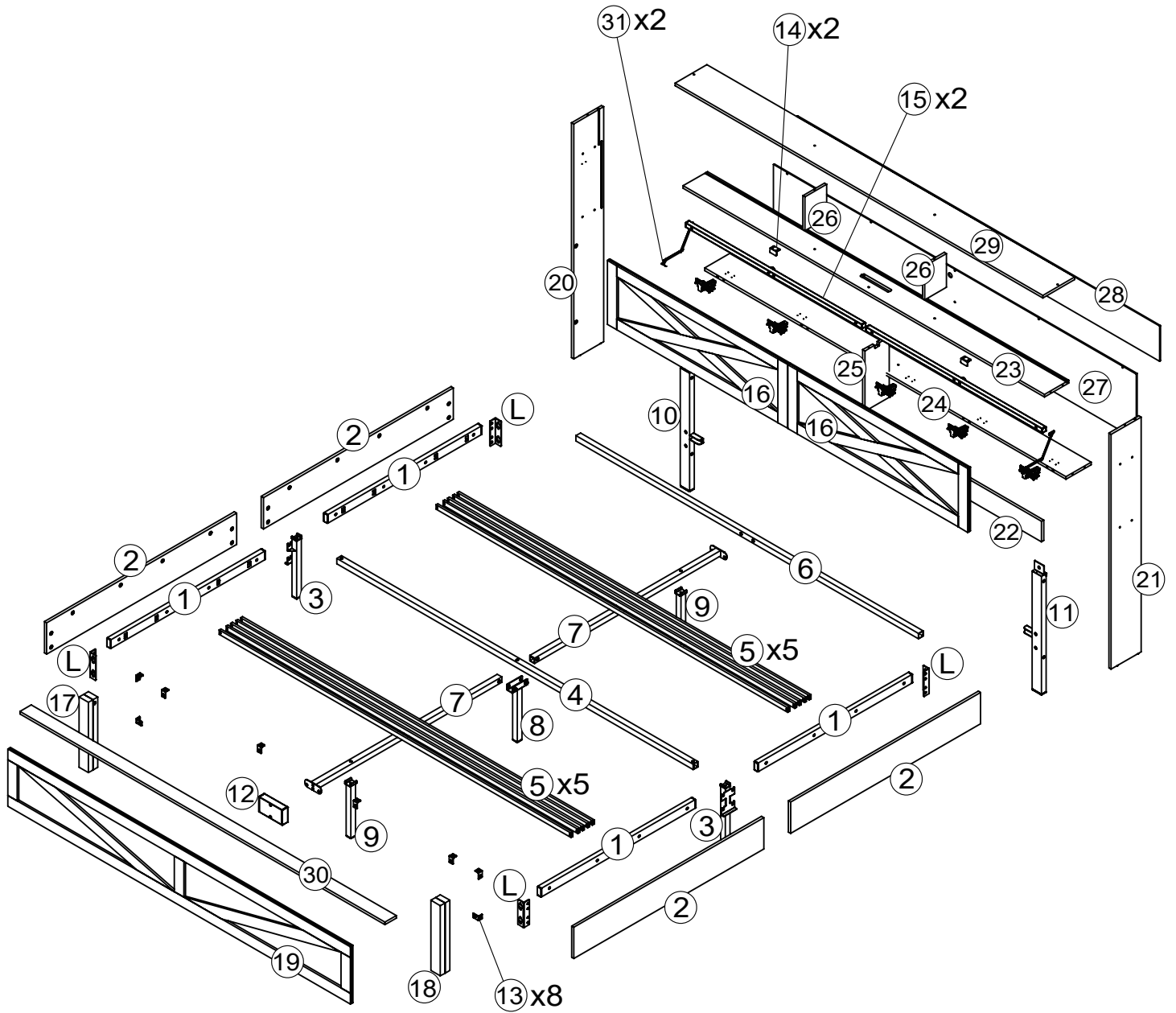


BED FRAME



Thank you for choosing our products, please assemble and use it following the instructions.

Assembly Instruction



Important Note

HARDWARE NOTE :

1. Two or more people are required for assembly
2. Do not screw on the bolts too tight unless the installation is done. Make sure all bolts are tightly screwed before you use it.

M8x30 • • • • • • • • • • **C** x26pcs

M8x40 • • • • • • • • • • **D** x8pcs

M8x60 • • • • • • • • • • **E** x5pcs

ST3.2x10 • • • • • • • • • • **F** x4pcs

ST3.2x12 white zinc • • • • • • • • • • **G** x8pcs

ST4x14 • • • • • • • • • • **H** x2pcs

ST4x30 • • • • • • • • • • **I** x2pcs

M5x30 white zinc • • • • • • • • • • **J** x13pcs

M5x40 white zinc • • • • • • • • • • **K** x12pcs

M5x40 • • • • • • • • • • **M** x4pcs

• • • • • • • • • • **N** x5pcs

• • • • • • • • • • **O** x5pcs

• • • • • • • • • • **P** x4pcs

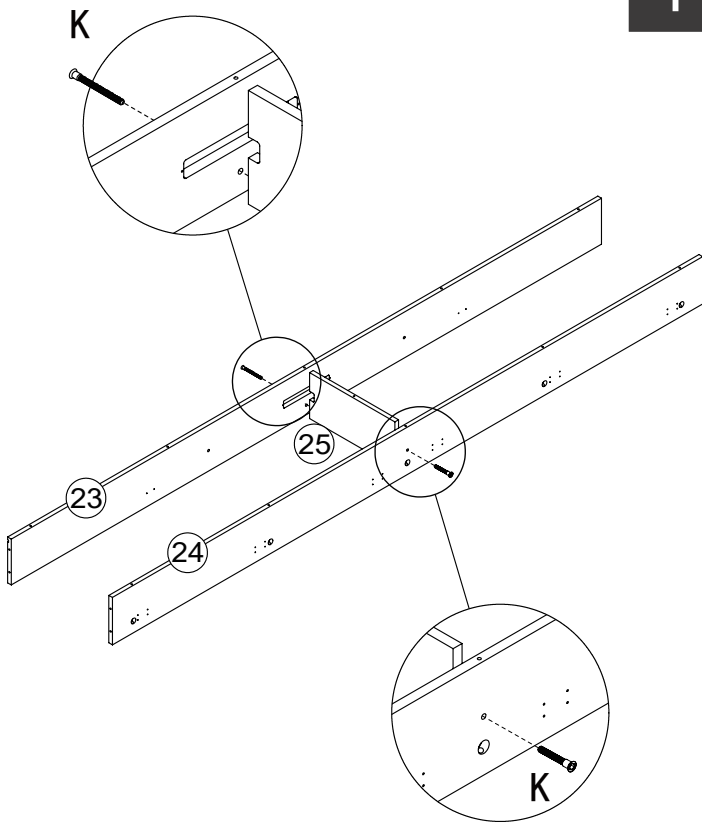
• • • • • • • • • • **Q** x20pcs

M5 • • • • • • • • • • **R** x1pc

M8 • • • • • • • • • • **S** x1pc

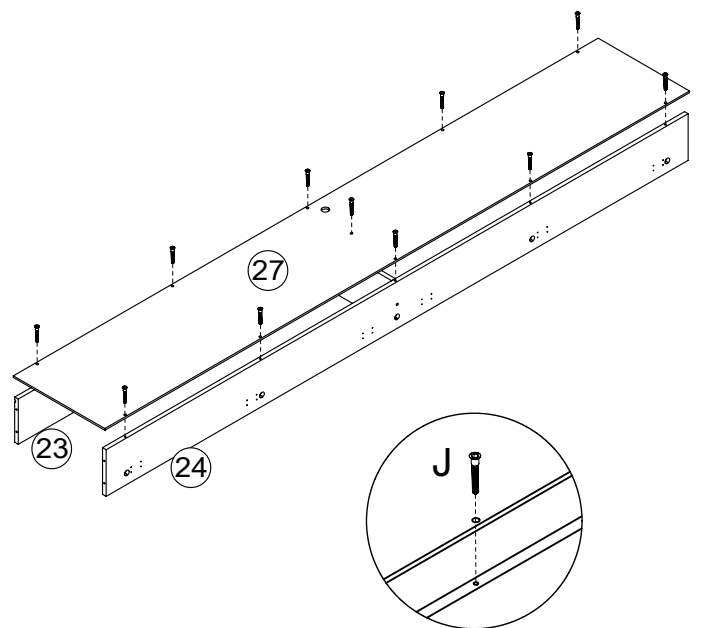
• • • • • • • • • • **T** x1pc

1



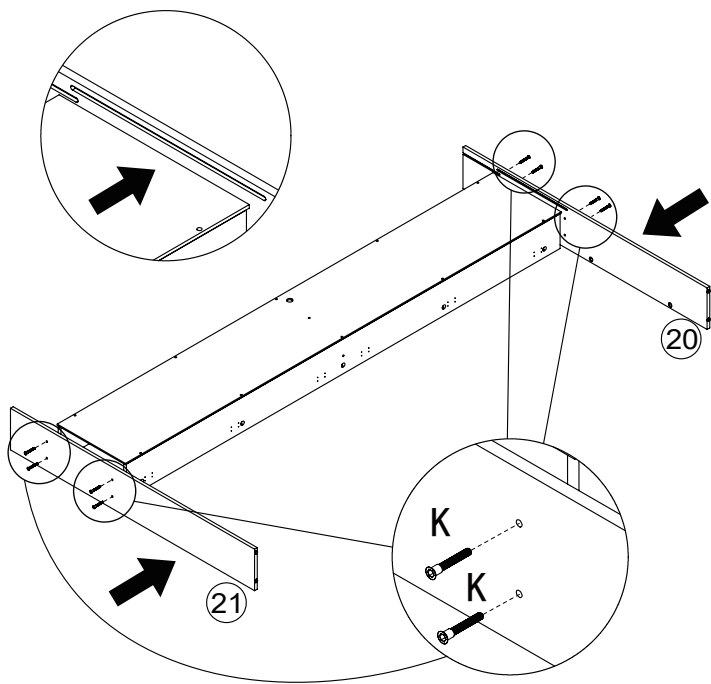
K M5x40 2pcs white zinc


2



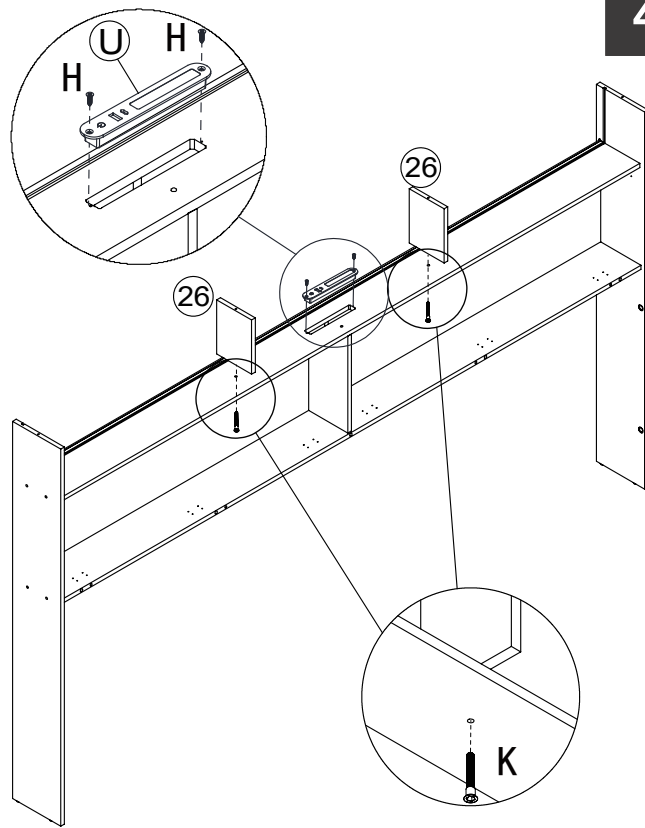
J M5x30 11pcs white zinc



3



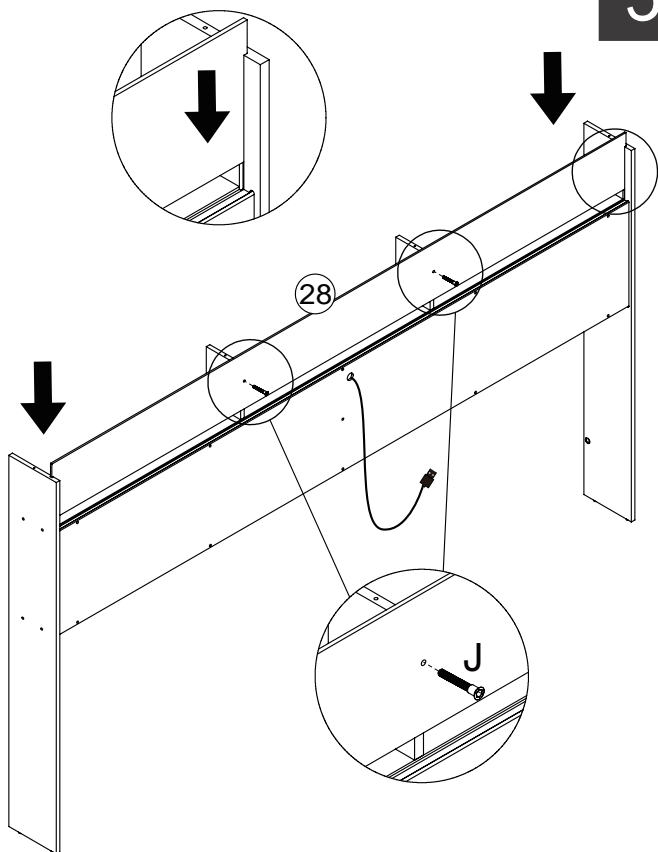
K		M5x40	8 pcs	white zinc
---	------------------------------------------------------------------------------------	-------	-------	------------


4



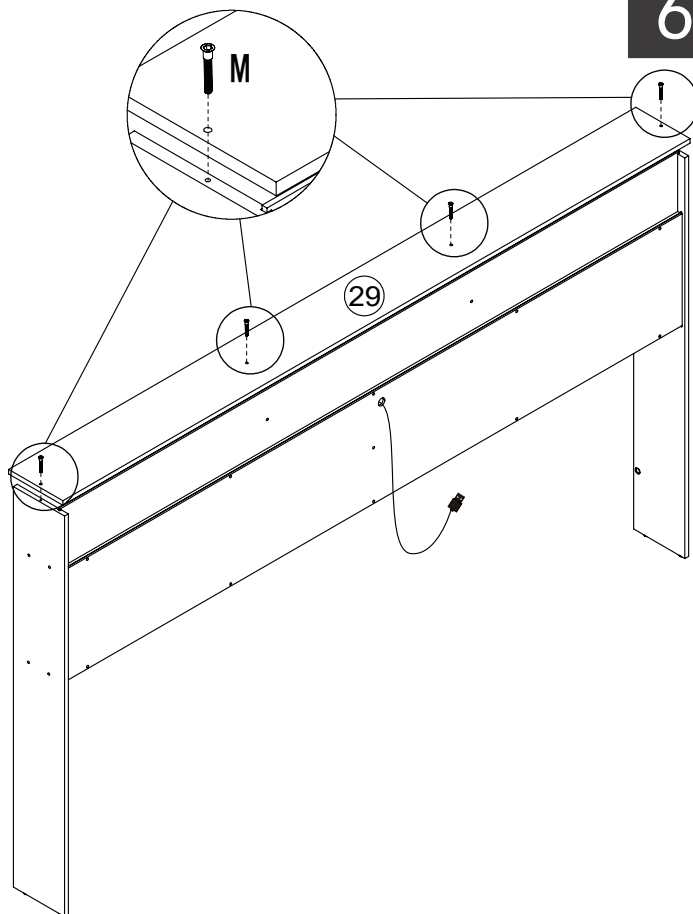
H		ST4x14	2 pcs	
K		M5x40	2 pcs	white zinc

5



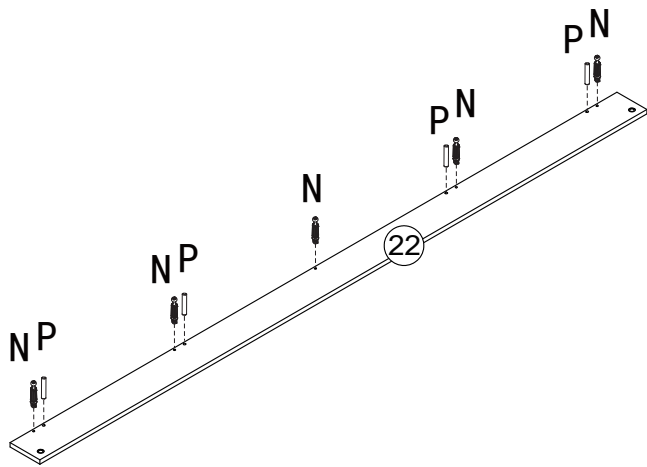
J		M5x30	2 pcs	white zinc
---	-------------------------------------------------------------------------------------	-------	-------	------------



6



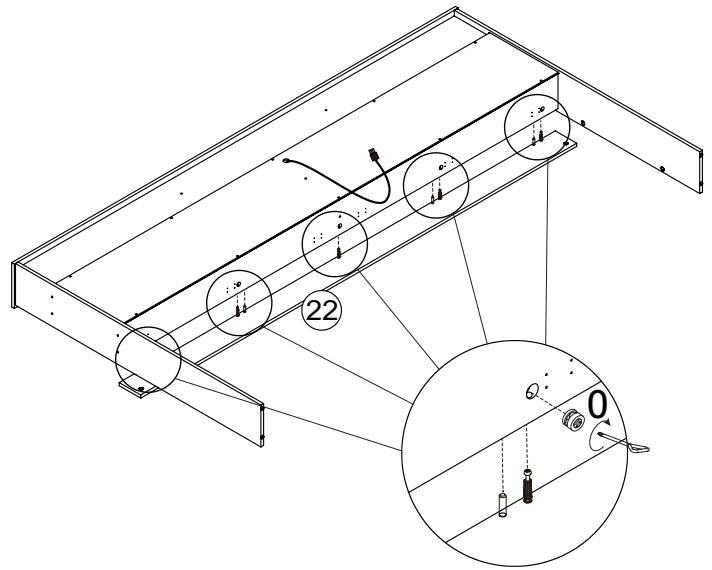
M		M5x40	4 pcs	
---	-------------------------------------------------------------------------------------	-------	-------	--

7



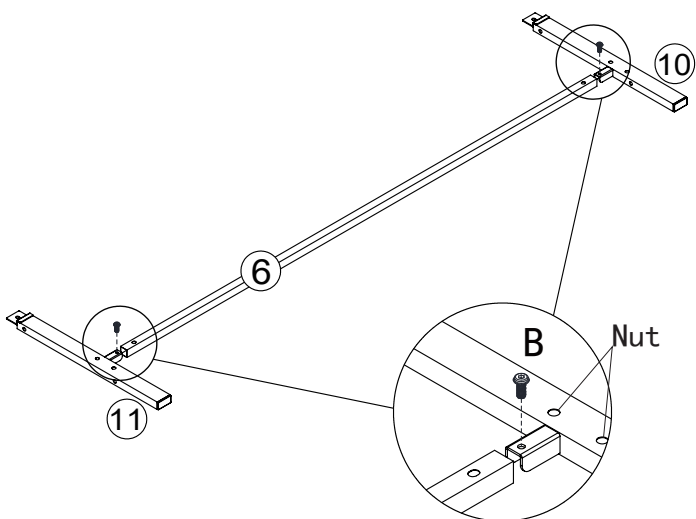
N		5 pcs
P		4 pcs

8



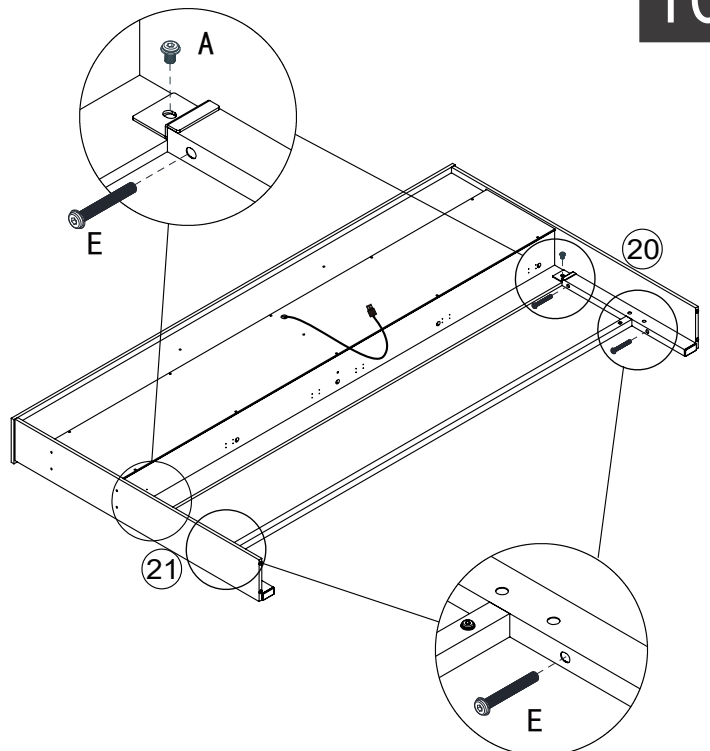
0		5 pcs
---	-------------------------------------------------------------------------------------	-------

9



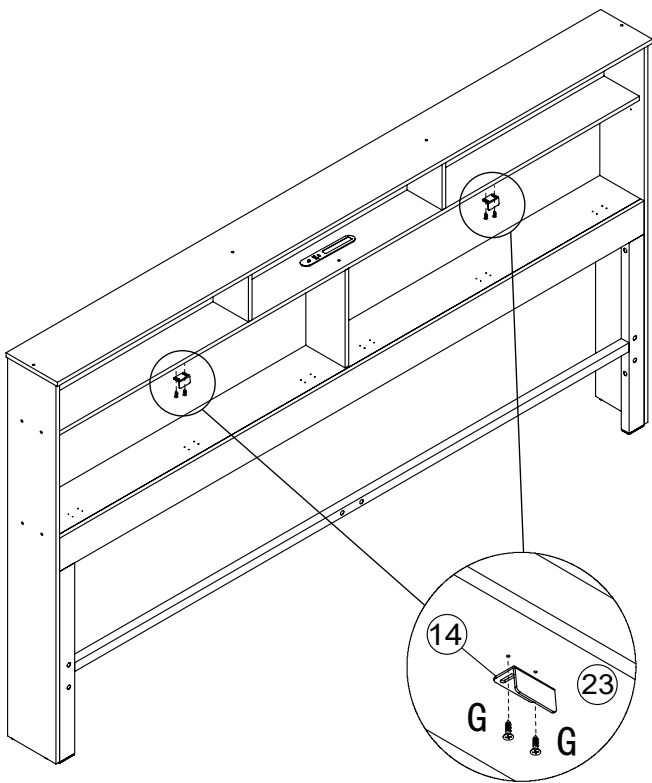
B		M8x20	2 pcs
---	-------------------------------------------------------------------------------------	-------	-------


10



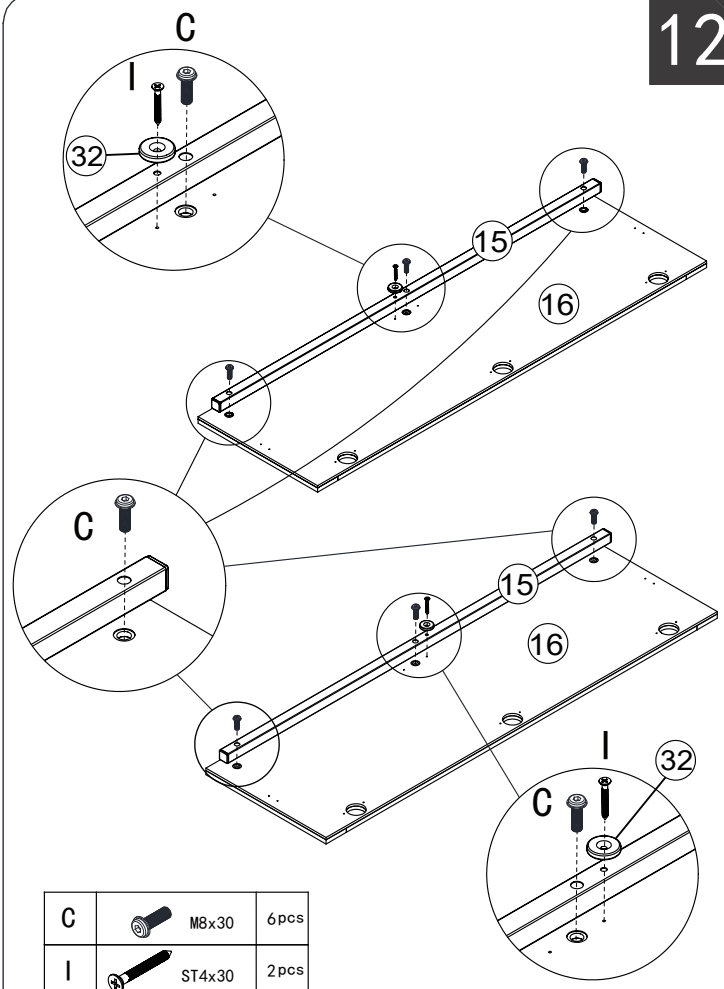
A		M8x12	2 pcs
E		M8x60	4 pcs



11



G	 ST3. 2x12	4 pcs	white zinc
---	----------------------------------------------------------------------------------------------	-------	------------

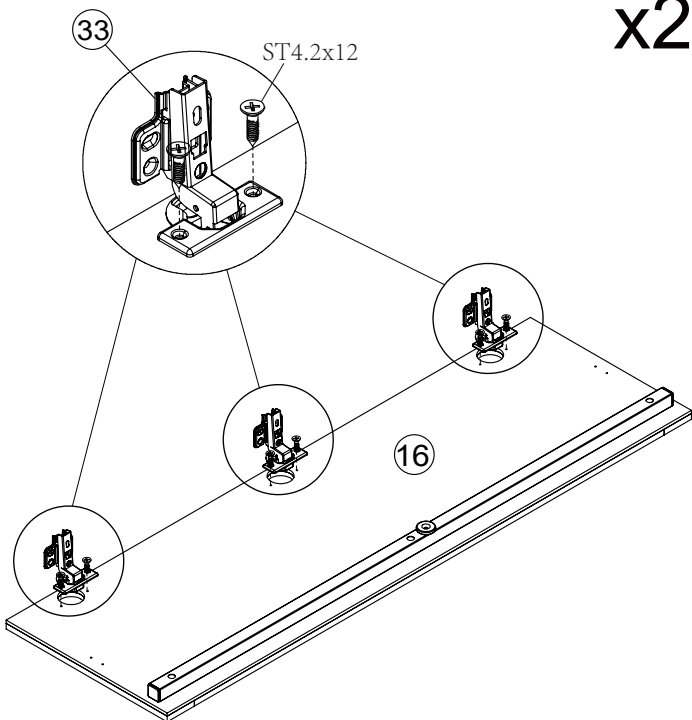
12



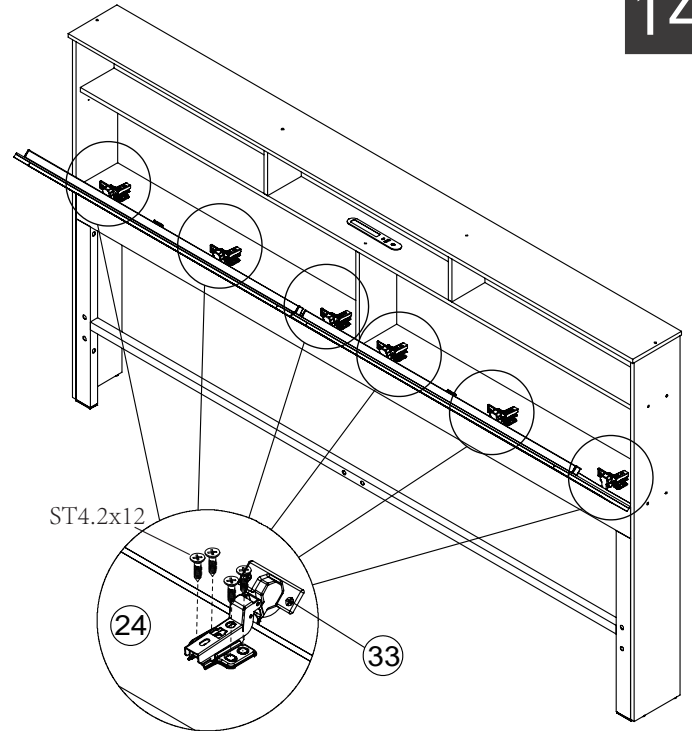
C	 M8x30	6 pcs
I	 ST4x30	2 pcs

13

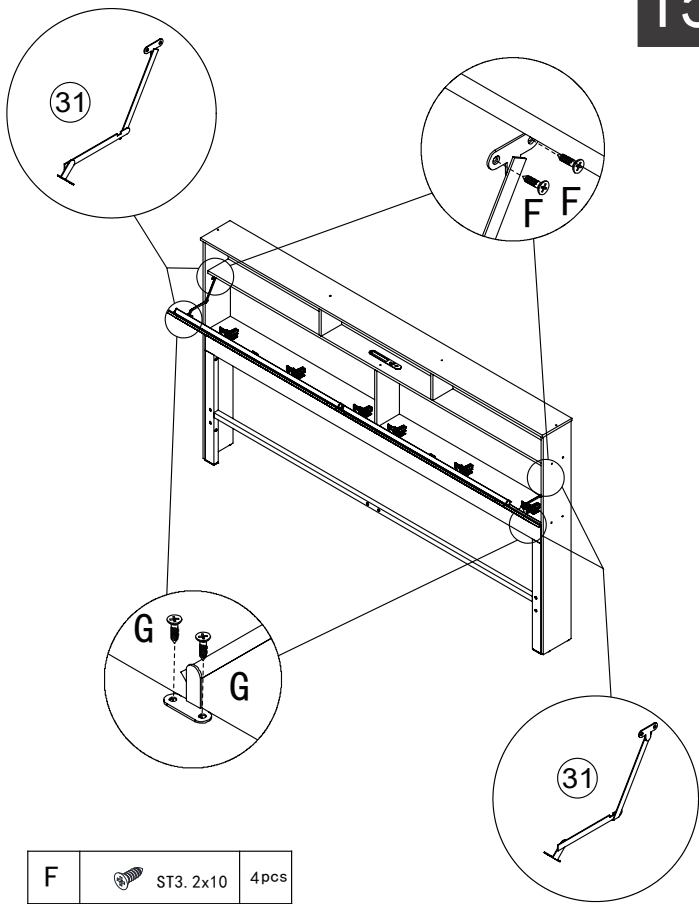
x2



14



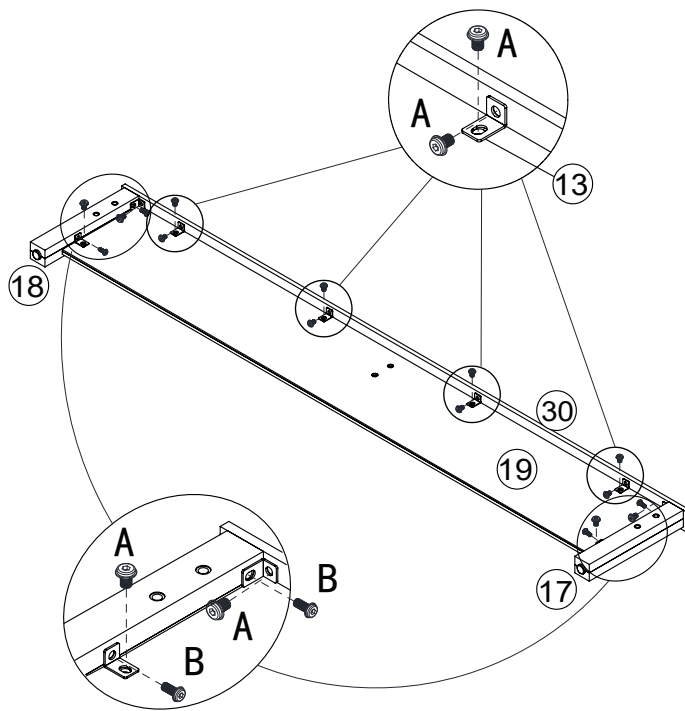
15



F	ST3. 2x10	4pcs
G	ST3. 2x12	4pcs

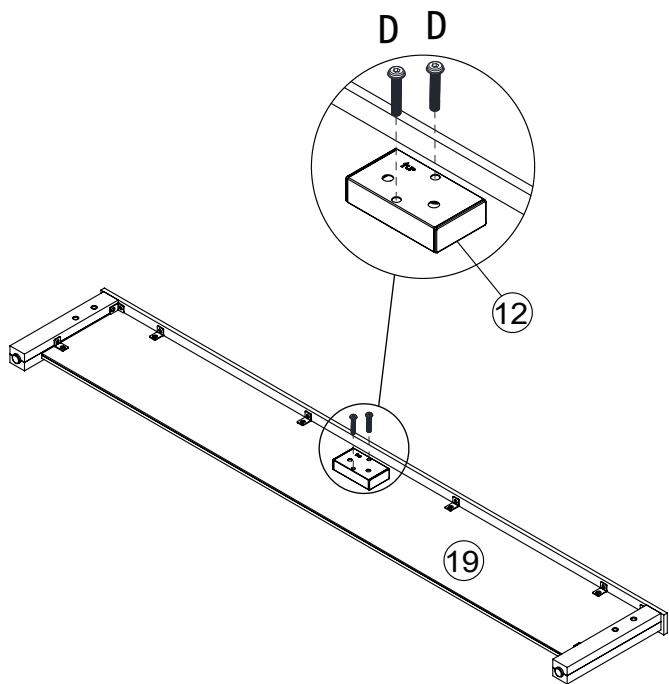
white zinc

16



A	M8x12	12pcs
B	M8x20	4pcs

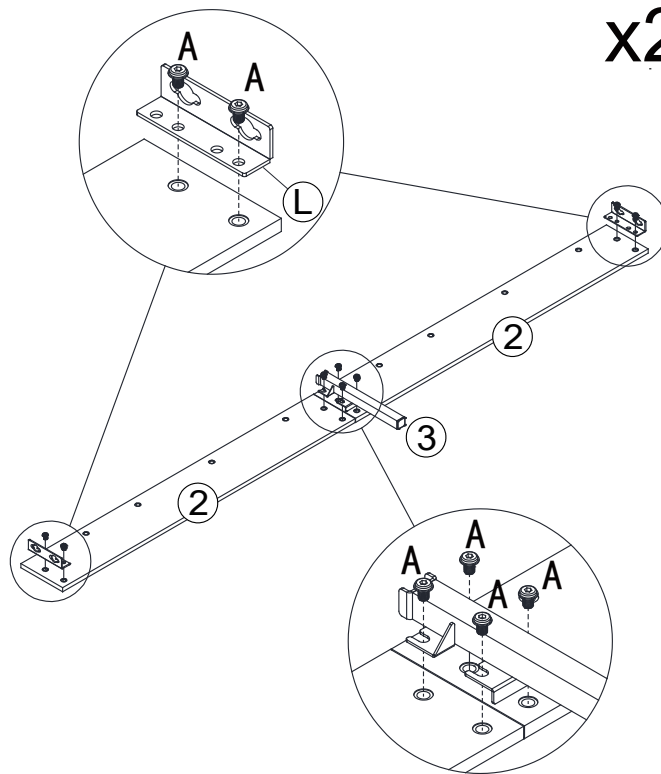
17



D	M8x40	2pcs
---	-------	------

18

x2



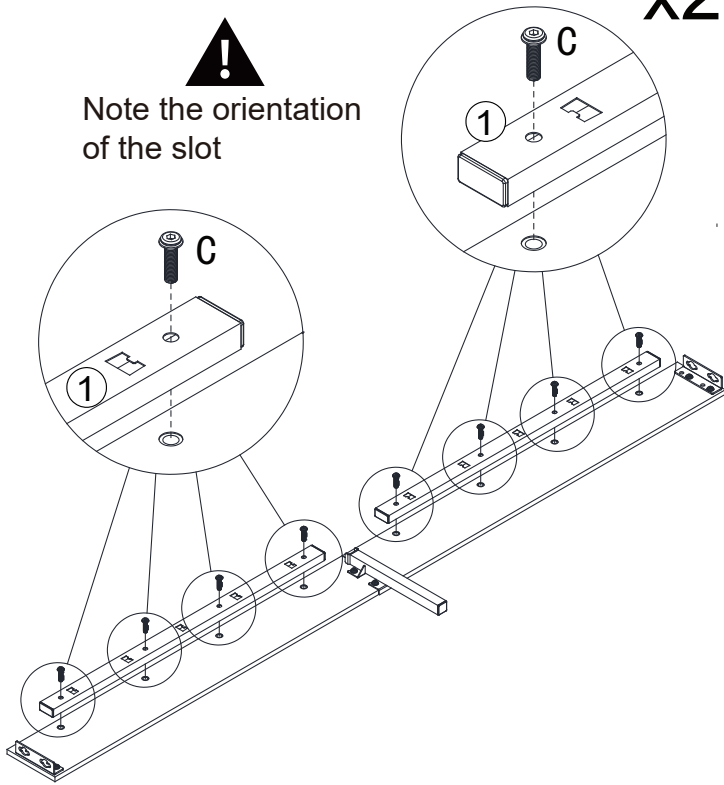
A	M8x12	16pcs
---	-------	-------

19

x2



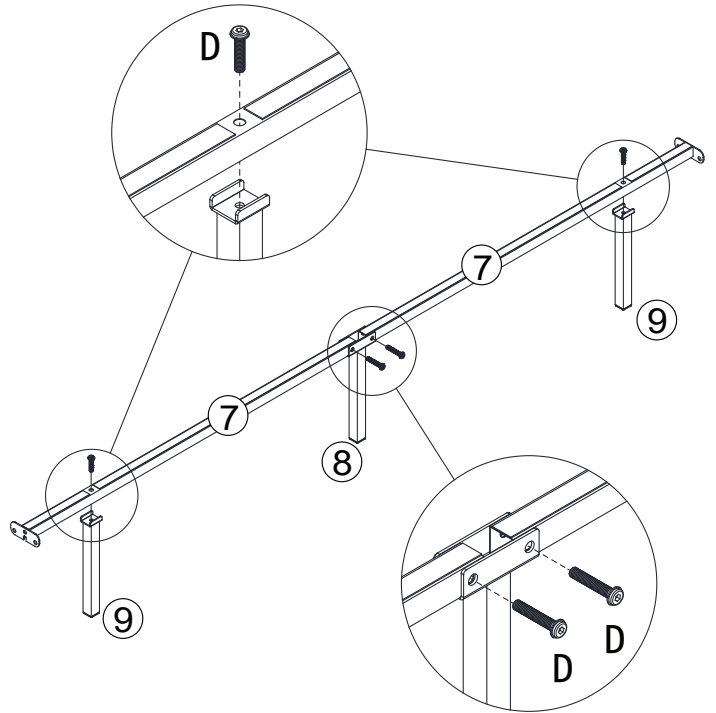
Note the orientation of the slot



C		M8x30	16 pcs
---	------------------------------------------------------------------------------------	-------	--------

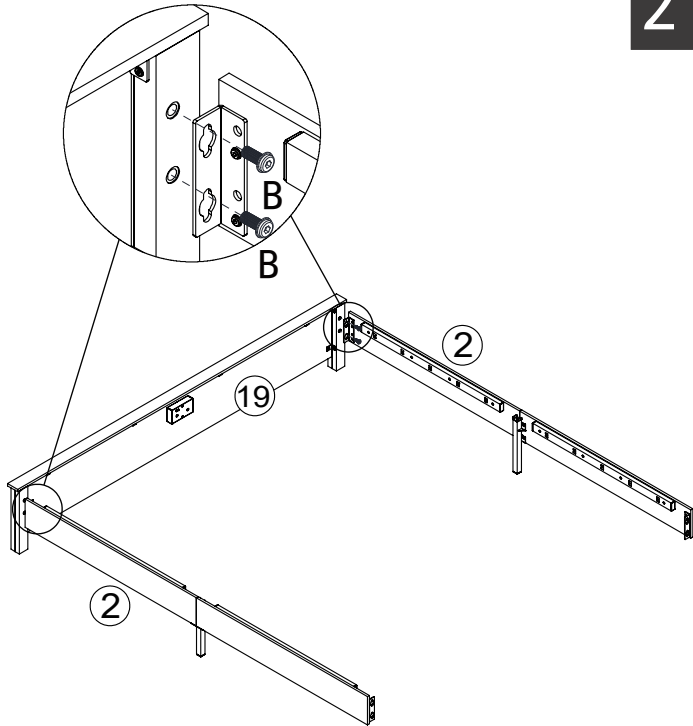
20

! Do not fully tighten the screws yet.



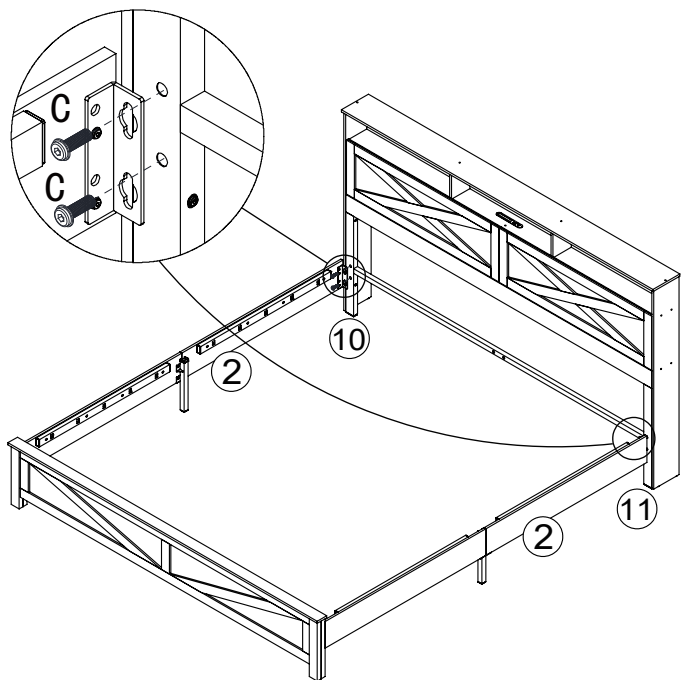
D		M8x40	4 pcs
---	------------------------------------------------------------------------------------	-------	-------

21



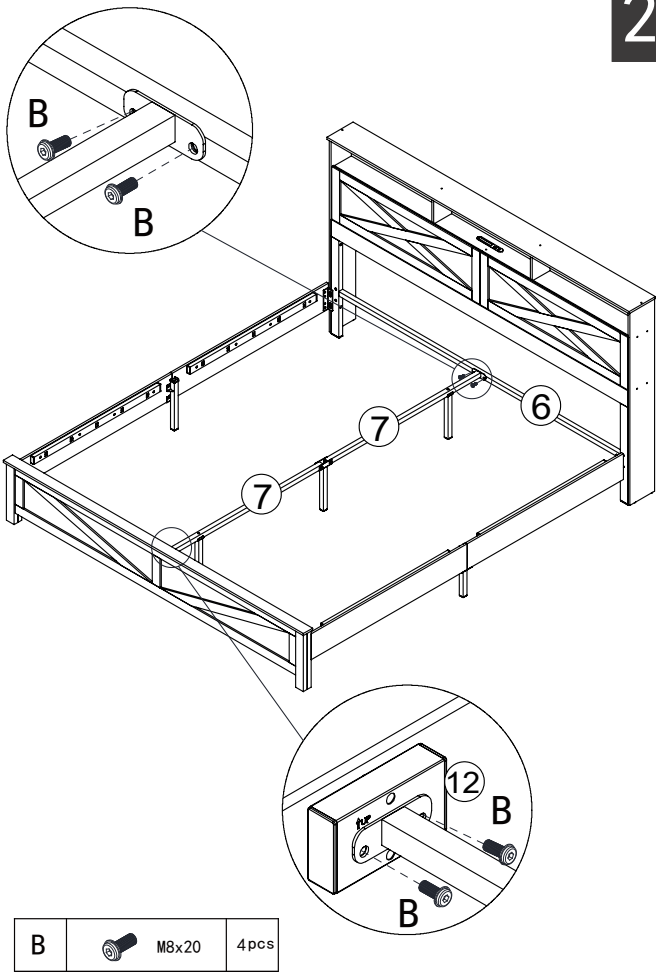
B		M8x20	4 pcs
---	-------------------------------------------------------------------------------------	-------	-------

22

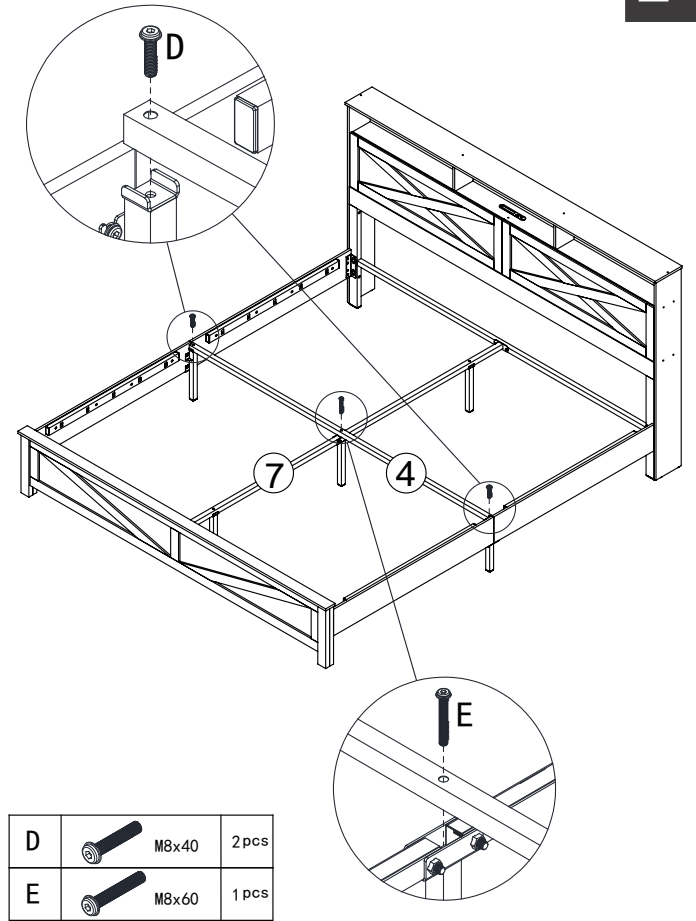


C		M8x30	4 pcs
---	-------------------------------------------------------------------------------------	-------	-------

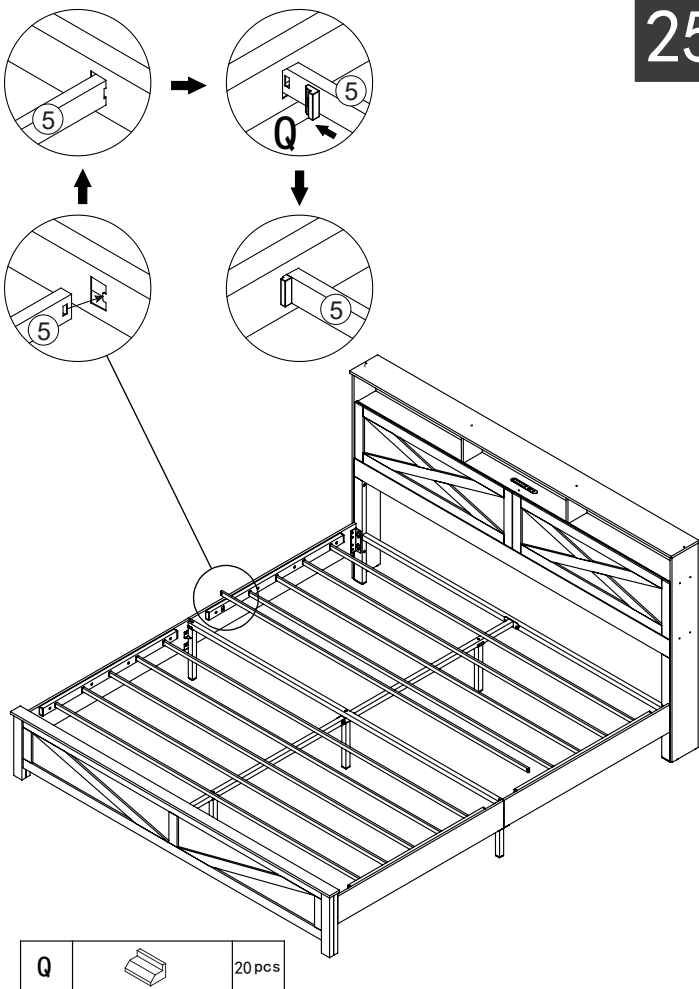
23



24

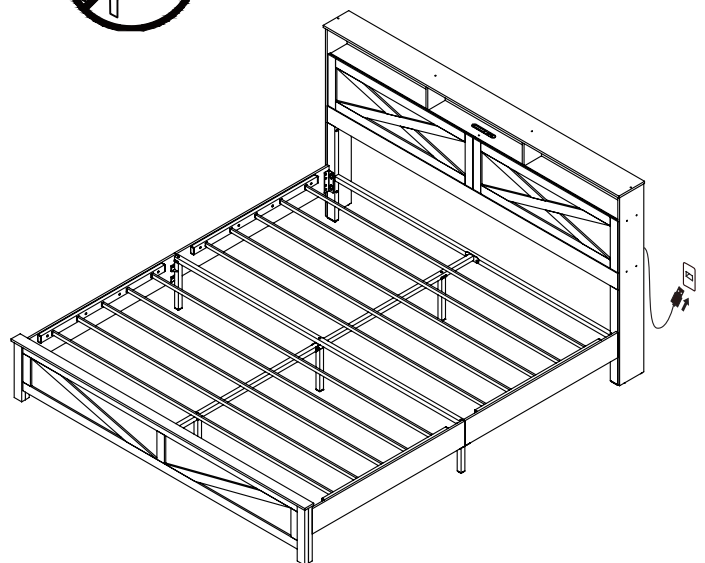


25



26

Finish



Note: Now you can tighten all the bolts.