

# INSTRUCTION MANUAL

## Patio Wicker Swivel Rocking Chair

**Loosely assemble before tightening.**

IF YOU PURCHASED THE CHAIR ONLINE AND HAVE ANY  
QUESTIONS OR CONCERNS

PLEASE CONTACT US WITH EMAIL, TEXT OR PHONE

EMAIL: [service2outdoor@gmail.com](mailto:service2outdoor@gmail.com)

TEXT: +1 628-263-4608 (TEXT ONLY)

PHONE: +1 877-561-6450

**Lost accessories or parts costs will be incurred after 90 days of the date of purchase.**

## **WARNING:**

Proper use of the chair is for single person seating only. The chair is not to be used for standing purposes and will not function as a stool or step-ladder. Use on even surfaces only. Chair tested for use at weight of 250lbs (113.5kg). Maximum safe load within 350lbs per seat. Improper use of this product or failure to use as directed may result in injury. Not intended for commercial use.

## **IMPORTANT:**

Please read all the instructions and warnings before assembling. In order to make the whole product adjust to the best, please install all the screws on the product before fully tighten, and note to put the washer to the screw before putting the screw into the screw hole.






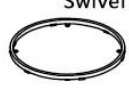











## **SAFETY INFORMATION:**

- Keep all children and pets away from assembly area. Children and pets should be supervised when they are in the area of the product construction.
- Keep assembly area at least 6 feet from any obstruction such as a fence, garage, house, overhanging branches, laundry line or electrical wires.
- Some parts may contain sharp edges. When assembling and using this product, basic safety precautions should always be followed to reduce the risk of personal injury and damage to the product. Please read all instructions before assembly and use.
- Check all bolts for tightness before use. **IMPORTANT** - check and tighten bolts often to keep them secure!
- The chair is not to be used for standing purposes and will not function as a stool or step-ladder. Use on even surfaces only.
- The chair use at weight of 250lb (113.4kg). Improper use of this product or failure to use as directed may result in injury. Not intended for commercial use.

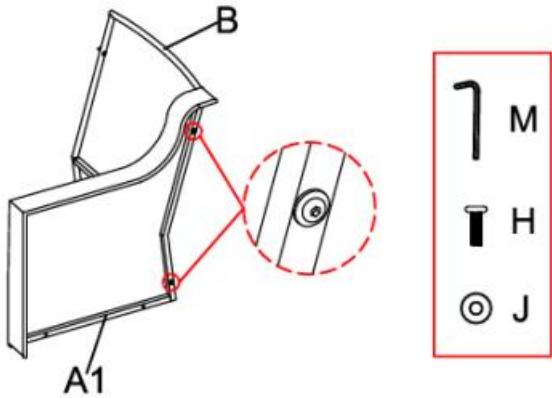
## **CARE & MAINTENANCE :**

- STAIN RESISTANT CUSHIONS CARE :** KEEP THE CUSHIONS IN STORAGE IN RAINING DAY.
- SPILLS:** Immediately wipe up the spill using a white damp cloth. Repeat process if necessary until stain is gone. Allow cushion to air dry.
- FABRIC CARE:** Hand wash cold, non-chlorine bleach when needed, lay flat to dry. Cool iron if necessary. Do not dry clean.
- RESIN WICKER PRODUCT CARE:** Before using, clean the product completely with a soft dry towel. When not in use, wipe free of any dirt or loose objects, wash with a mild solution of soap and water, rinse thoroughly and dry completely. Do not use strong detergent or abrasive cleaners. Over time nuts and bolts can loosen. Occasionally, check nuts and bolts on all chairs and tables, re-tighten if necessary.
- Warranty period: 180 days.

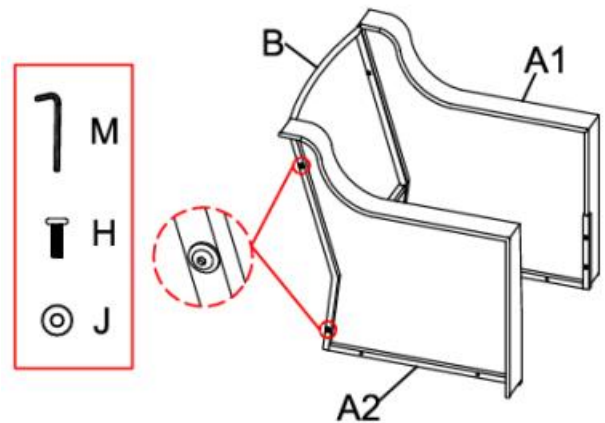
# Assembly Instructions

Assembly Instructions				
A1 Left Arm 1PC 	A2 Right Arm 1PC 	B Chair Back 1PC 	C Chair Seat 1PC 	D Rocking Base 1PC 
E Swivel Base 1PC 	F Support Bar 1PC 	G Support Bar 1PC 	H M6*15mm Screw 9PCS 	I M6*35mm Screw 14PCS 
J Washer 23PCS 	K Nut 8PCS 	L Washer 4PCS 	M Allen Wrench 1PC 	N Spanner 1PC 
O Seat Cushion 1PC 	P Back Cushion 1PC 			

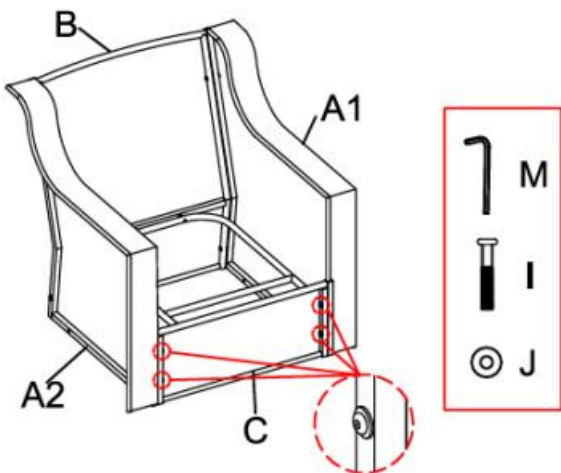
- ① Step 1: Secure chair back (B) to left arm (A1) with 2 washers (J) and 2 screws (H) by using allen wrench (M). Do not fully tighten now.



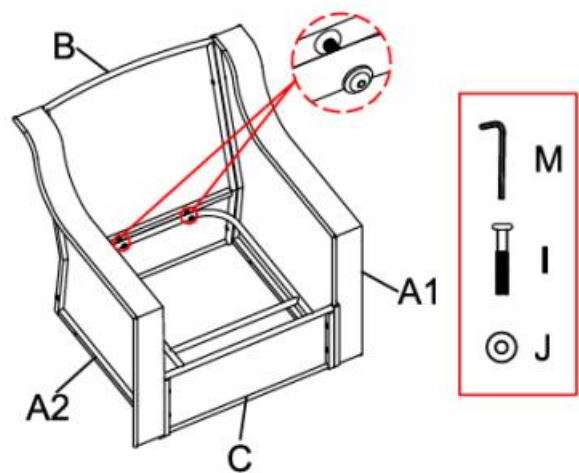
- ② Step 2: Secure right arm (A2) to the other side of assembled chair back (B) with 2 washers (J) and 2 screws (H) by using allen wrench (M). Do not fully tighten now.



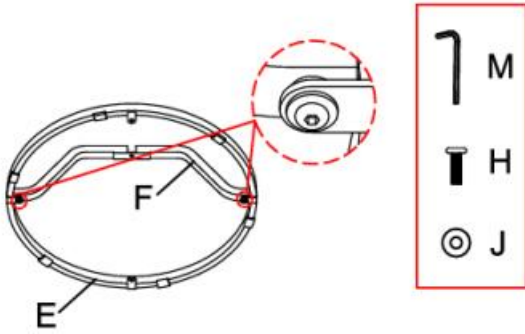
- ③ Step 3: Secure seat panel (C) to assembled sofa arms (A1.A2) with 4 washers (J) and 4 screws (I) by using allen wrench (M). Do not fully tighten now.



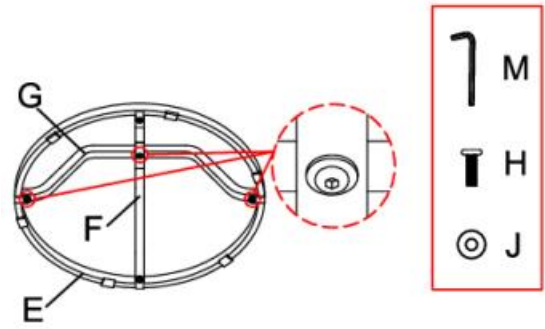
- ④ Step 4: Secure seat panel (C) to assembled sofa back (B) with 2 washers (J) and 2 screws (I) by using allen wrench (M). Do not fully tighten all the screws.



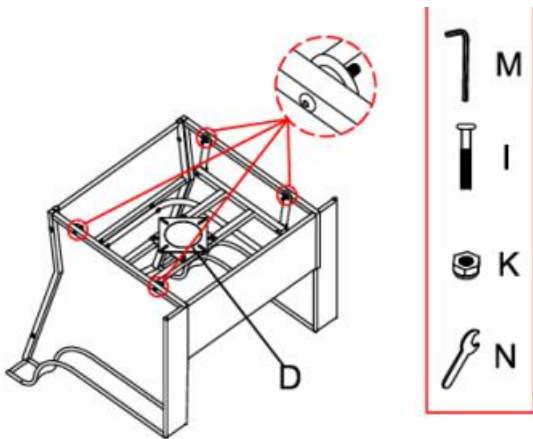
- 5 Step 5: Secure support bar (F) to swivel base ring (E) with 2 screws (H) and 2 washers (J) by using allen wrench (M). Do not fully tighten now .



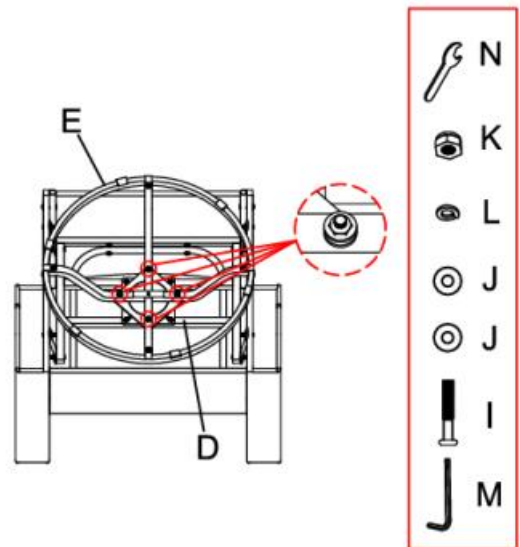
- Step 6: Secure support bar (G) to swivel base ring (E) with 3 screws (H) and 3 washers (J) by using allen wrench (M). Tighten all screws on Step 5&6 now.



- 7 Step 7: Attach rocking base (D) to chair arms (A1.A2) with 4 nuts (K) and 4 screws (I) by using spanner (N) and allen wrench (M). Do not fully tighten now.



- 8 Step 8: Attach assembled swivel base (E) to rocking base (D) with 12 washers (J&L), 4 screws (I) and 4 nuts (K) by using allen wrench (M) and spanner (N). Verify the alignment and adjust, **fully tighten all the screws now.**



- 9 Step 9: Put cushion (P&O) onto chair and now it is ready to use.

