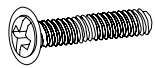
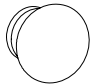



# Hall Table

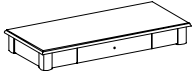





**NO TOOLS REQUIRED**

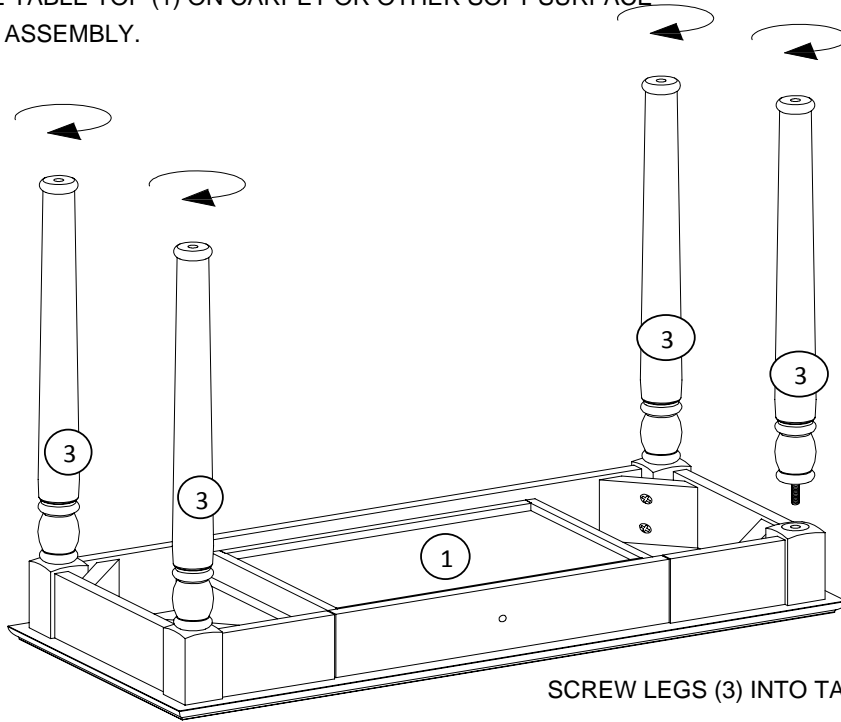
## HARDWARE LIST

CODE	NAME	FIGURE	Q'TY
A	SCREW (22mm)		1PC
B	HANDLE		1PC
C	COLOR STICK		1PC

## PARTS LIST

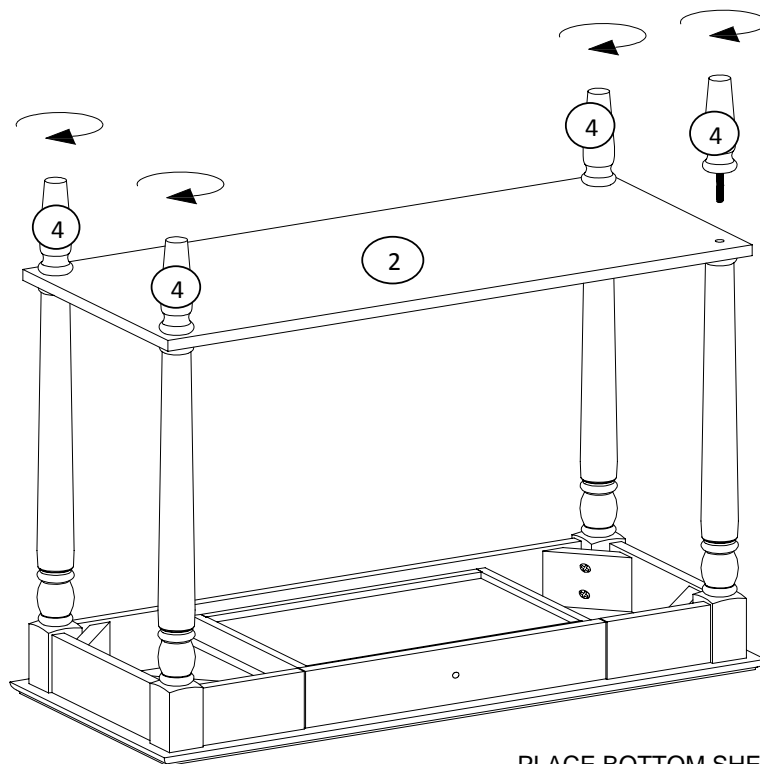
CODE	NAME	FIGURE	Q'TY
①	TABLE TOP		1PC
②	BOTTOM SHELF		1PC
③	LEGS		4PCS
④	FEET		4PCS

\*\*\*PLACE TABLE TOP (1) ON CARPET OR OTHER SOFT SURFACE BEFORE ASSEMBLY.



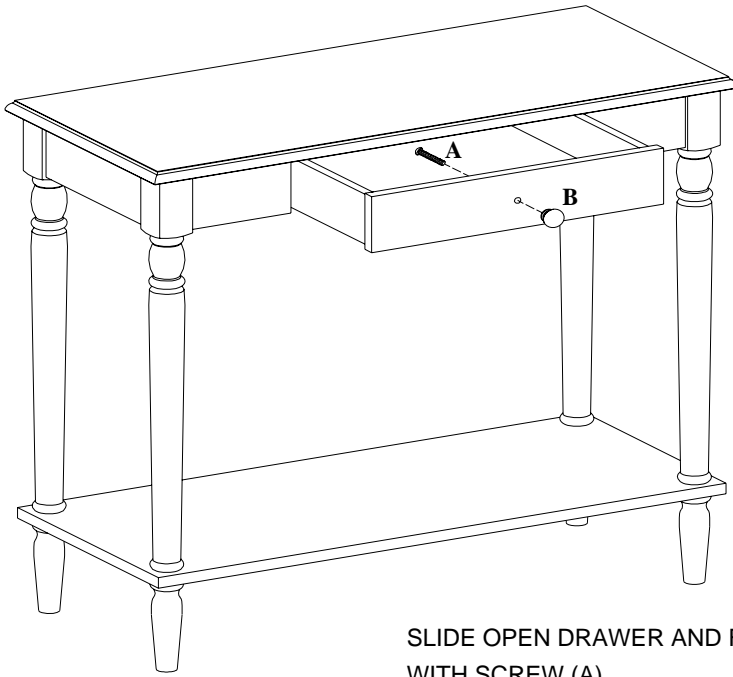
**STEP 1**

SCREW LEGS (3) INTO TABLE TOP (1)



**STEP 2**

PLACE BOTTOM SHELF (2) ONTO LEGS AND  
SCREW FEET (4) INTO ASSEMBLY



HARDWARE  
NEEDED

A x 1
B x 1

### STEP 3

SLIDE OPEN DRAWER AND FASTEN KNOB (B)  
WITH SCREW (A)



### STEP 4

ENJOY YOUR NEW  
HALL TABLE!!

\*\*\*SAVE COLOR STICK FOR FUTURE TOUCH - UPS!