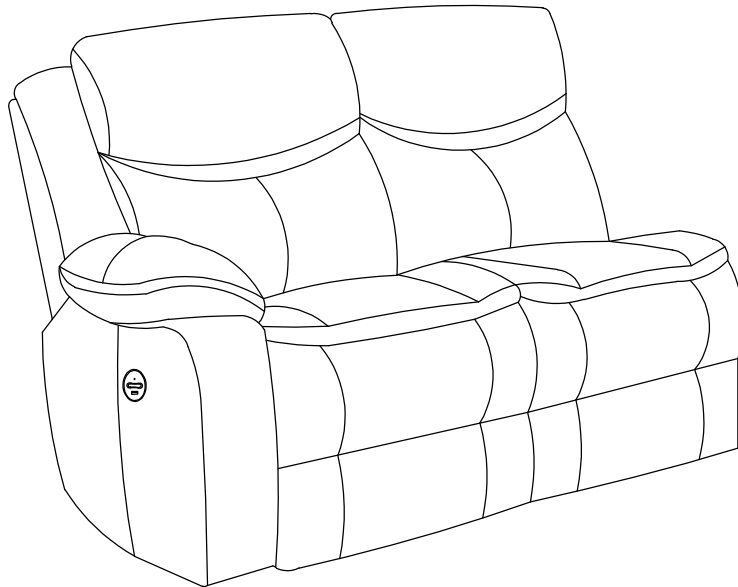


ASSEMBLY INSTRUCTIONS



Fine Furniture for every stage of life

LAF Power Loveseat

ASSEMBLY INSTRUCTIONS

ASSEMBLY TIPS:

- 1.Remove hardware from box and sort by size.
- 2.Please check to see that all hardware and parts are present prior to start of assembly.
- 3.Please follow attached instructions in the same sequence as numbered to assure fast & easy assembly.

WARNING



- 1.Don't attempt to repair or modify parts that are broken or defective. Please contact the store immediately.
- 2.This product is for home use only and not intended for commercial establishments.

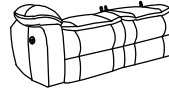


ASSEMBLY TIME

5 MINUTES

PARTS IDENTIFICATION

A SEAT



1PC

B LEFT BACK



1PC

C RIGHT BACK



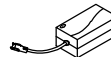
1PC

D EAR



1PC

E ADAPTER



1PC

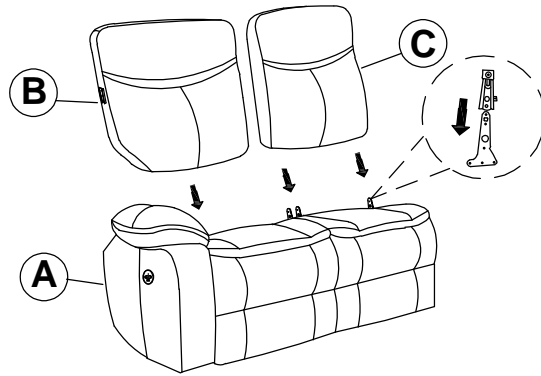
F POWER CABLE



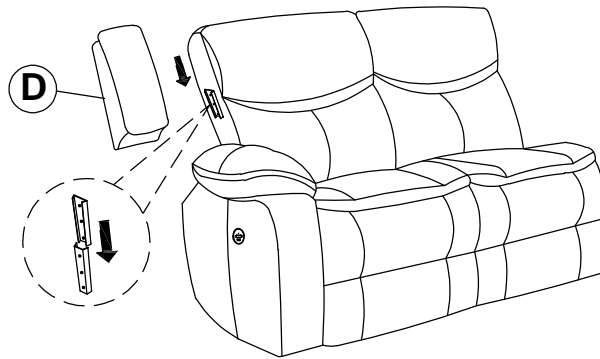
1PC

ASSEMBLY INSTRUCTIONS

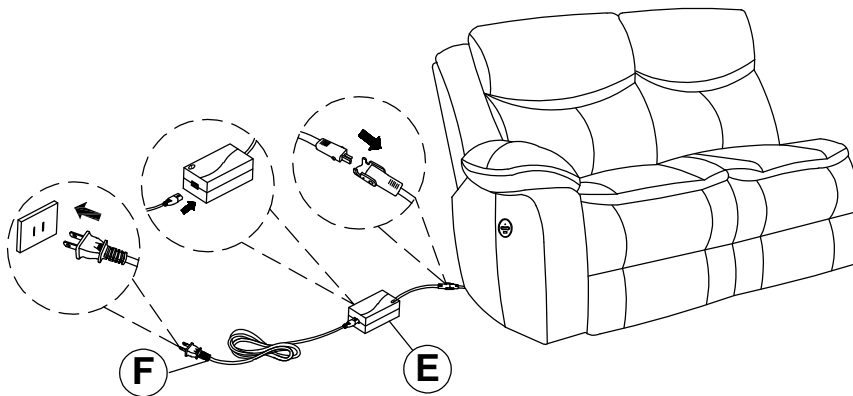
STEP 1



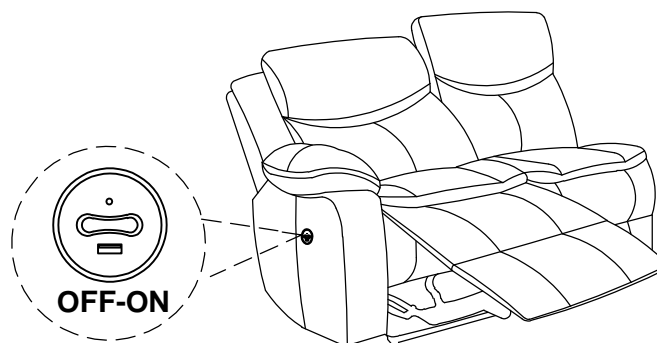
STEP 2

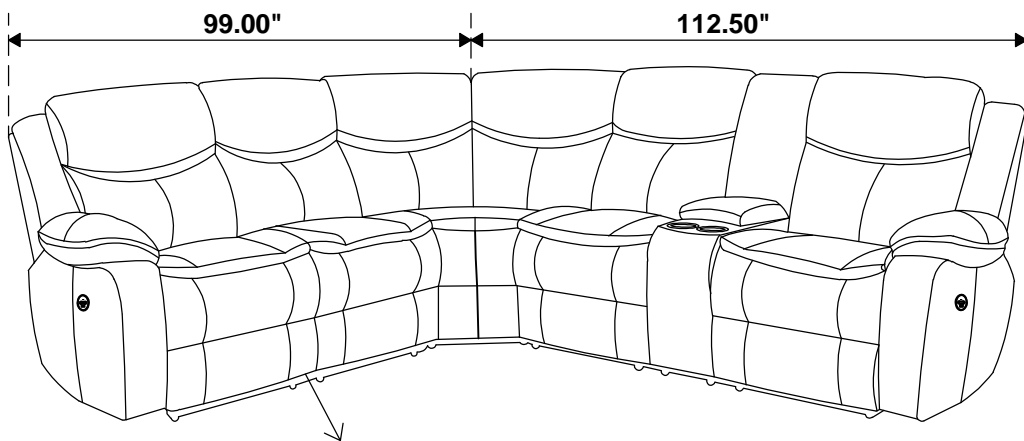
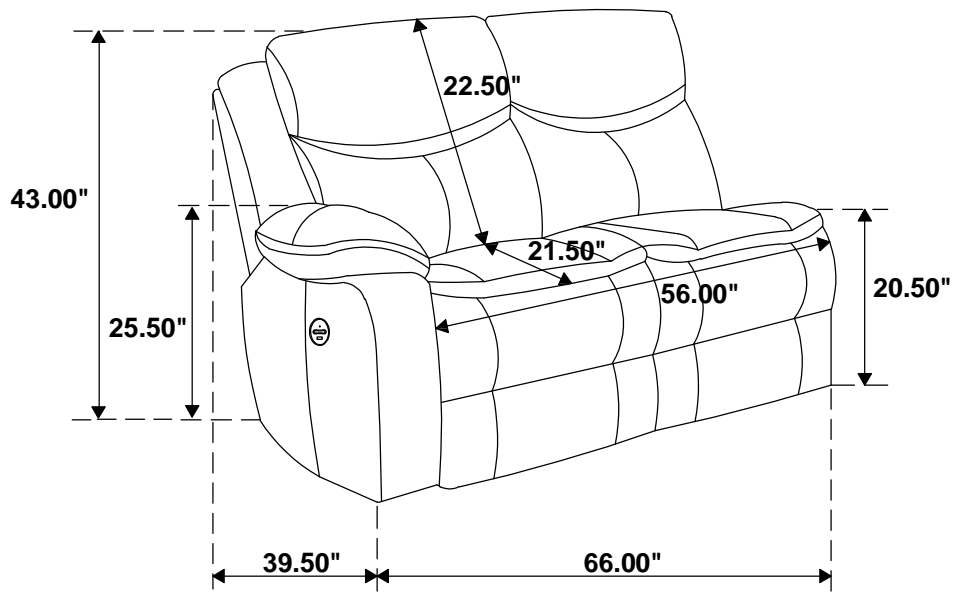


STEP 3



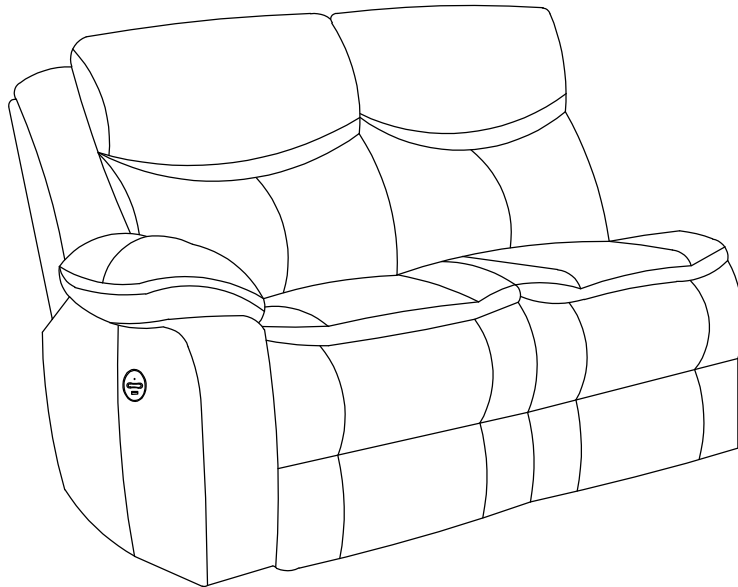
STEP 4 **COMPLETE**





Note: Dimension tolerance $\pm 5\%$

ASSEMBLY INSTRUCTIONS



Fine Furniture for every stage of life

LAF Power Loveseat

ASSEMBLY INSTRUCTIONS

ASSEMBLY TIPS:

- 1.Remove hardware from box and sort by size.
- 2.Please check to see that all hardware and parts are present prior to start of assembly.
- 3.Please follow attached instructions in the same sequence as numbered to assure fast & easy assembly.

WARNING



- 1.Don't attempt to repair or modify parts that are broken or defective. Please contact the store immediately.
- 2.This product is for home use only and not intended for commercial establishments.

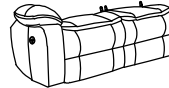


ASSEMBLY TIME

5 MINUTES

PARTS IDENTIFICATION

A SEAT



1PC

B LEFT BACK



1PC

C RIGHT BACK



1PC

D EAR



1PC

E ADAPTER



1PC

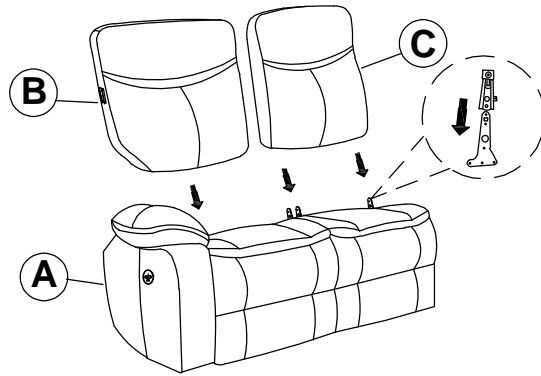
F POWER CABLE



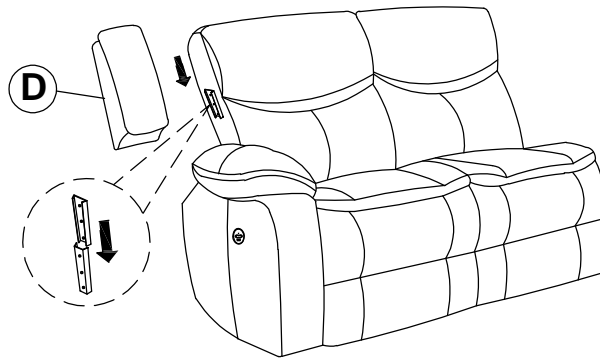
1PC

ASSEMBLY INSTRUCTIONS

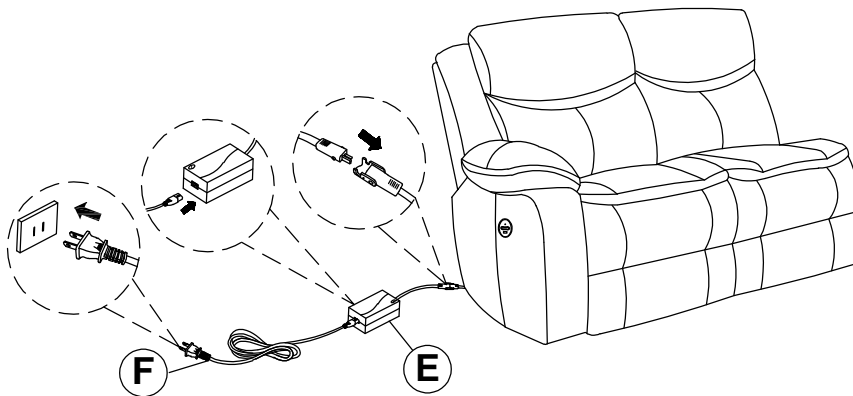
STEP 1



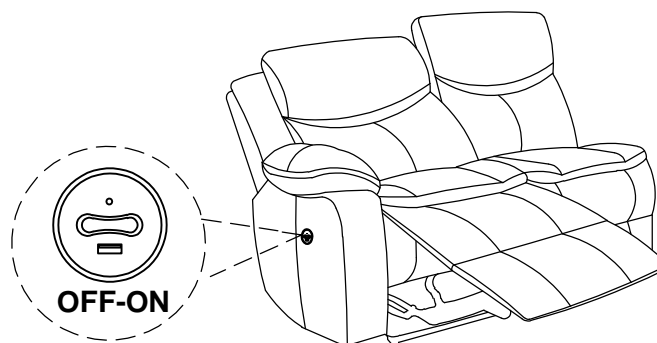
STEP 2

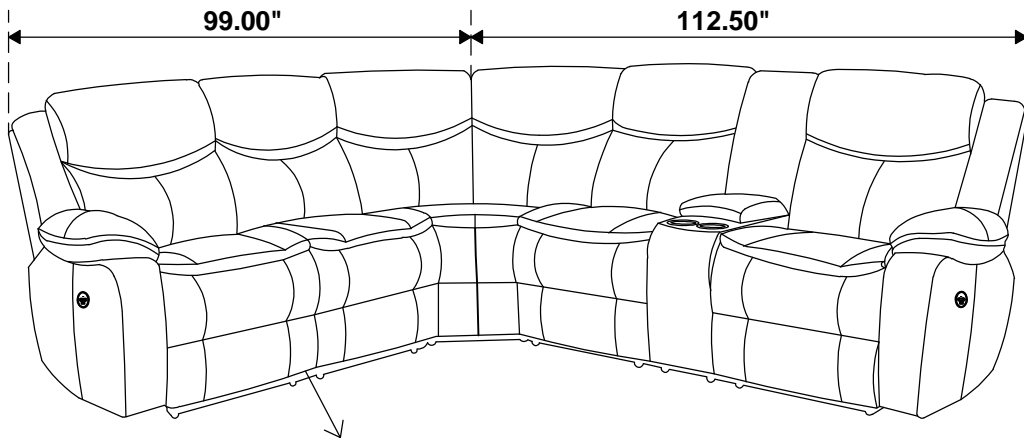
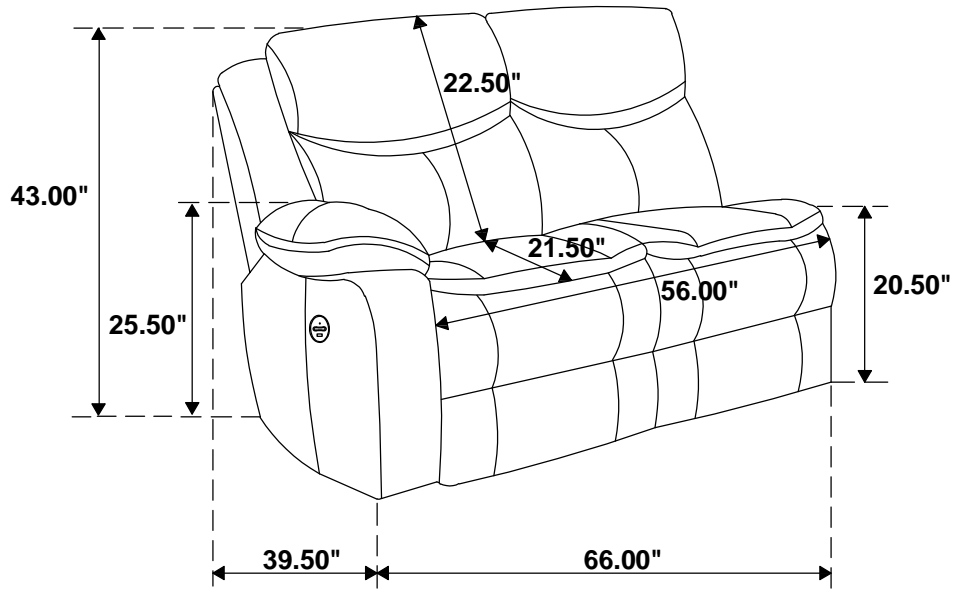


STEP 3



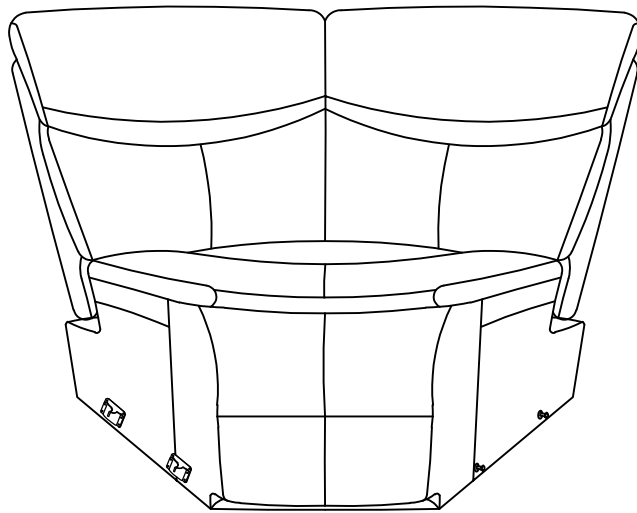
STEP 4 **COMPLETE**





Note: Dimension tolerance $\pm 5\%$

ASSEMBLY INSTRUCTIONS



Fine Furniture for every stage of life

Wedge

ASSEMBLY INSTRUCTIONS

ASSEMBLY TIPS:

- 1.Remove hardware from box and sort by size.
- 2.Please check to see that all hardware and parts are present prior to start of assembly.
- 3.Please follow attached instructions in the same sequence as numbered to assure fast & easy assembly.



WARNING




- 1.Don't attempt to repair or modify parts that are broken or defective. Please contact the store immediately.
- 2.This product is for home use only and not intended for commercial establishments.



ASSEMBLY TIME

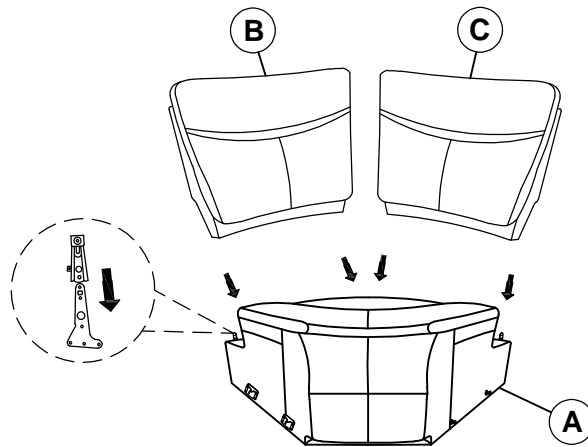
5 MINUTES

PARTS IDENTIFICATION

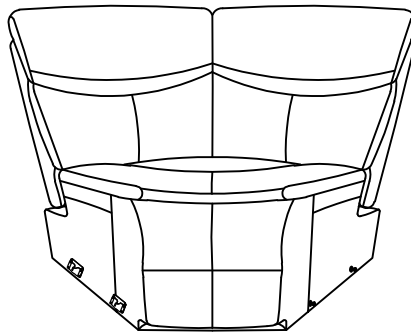
A	SEAT		1PC
B	LEFT BACK		1PC
C	RIGHT BACK		1PC

ASSEMBLY INSTRUCTIONS

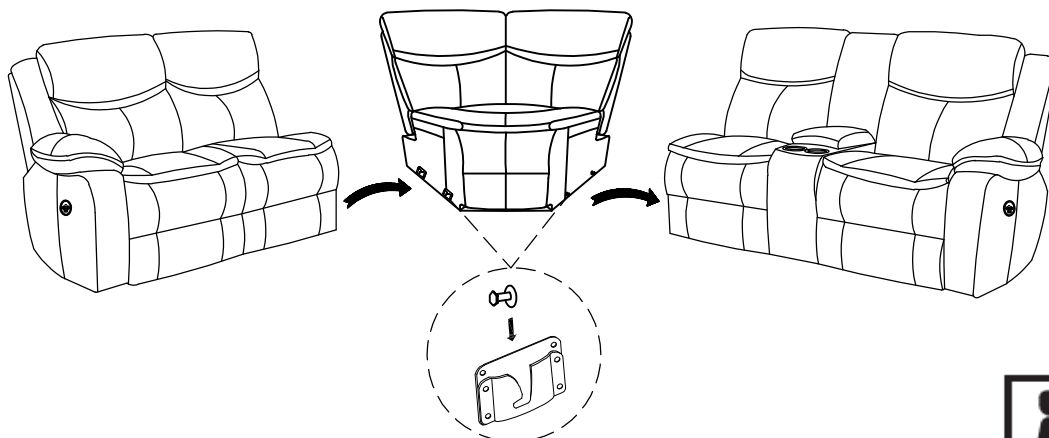
STEP 1

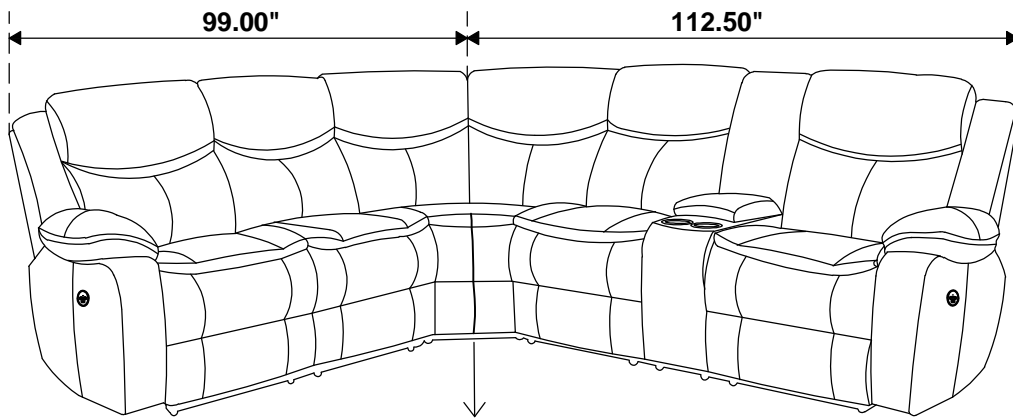
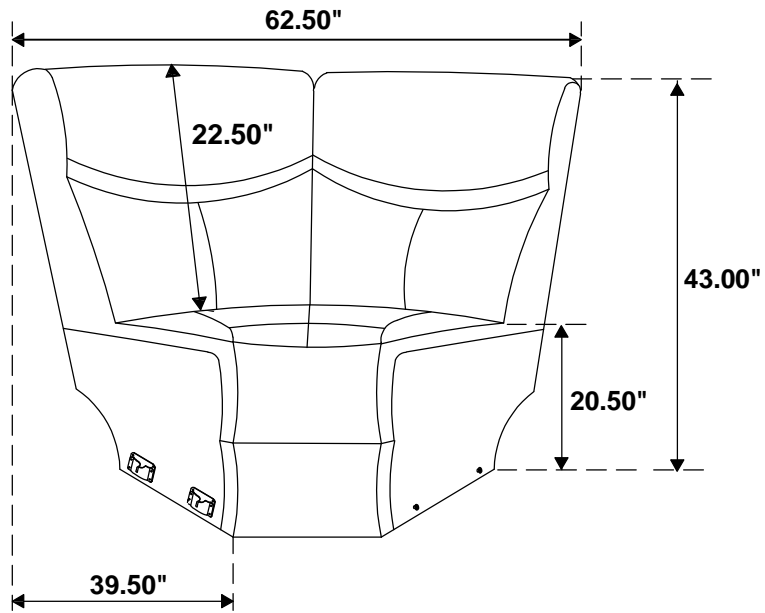


STEP 2



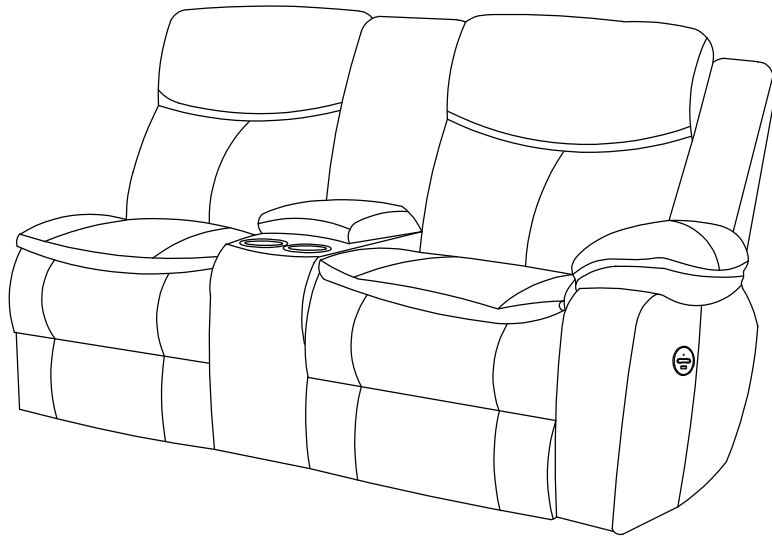
STEP 3 **COMPLETE**





Note: Dimension tolerance $\pm 5\%$

ASSEMBLY INSTRUCTIONS



Fine Furniture for every stage of life

RAF Power Loveseat

ASSEMBLY INSTRUCTIONS

ASSEMBLY TIPS:

- 1.Remove hardware from box and sort by size.
- 2.Please check to see that all hardware and parts are present prior to start of assembly.
- 3.Please follow attached instructions in the same sequence as numbered to assure fast & easy assembly.

WARNING








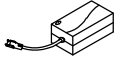

- 1.Don't attempt to repair or modify parts that are broken or defective. Please contact the store immediately.
- 2.This product is for home use only and not intended for commercial establishments.



ASSEMBLY TIME

5 MINUTES

PARTS IDENTIFICATION

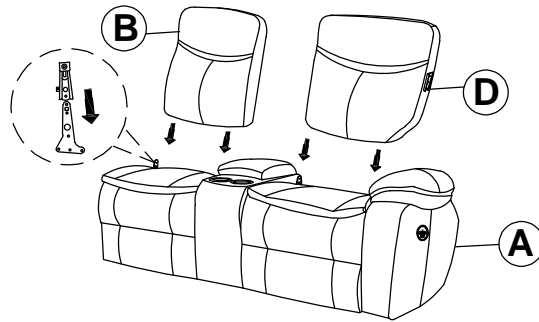
A	SEAT		1PC
B	LEFT BACK		1PC
C	CONSOLE BACK		1PC
D	RIGHT BACK		1PC
E	EAR		1PC
F	ADAPTER		1PC
G	POWER CABLE		1PC

HARDWARE IDENTIFICATION

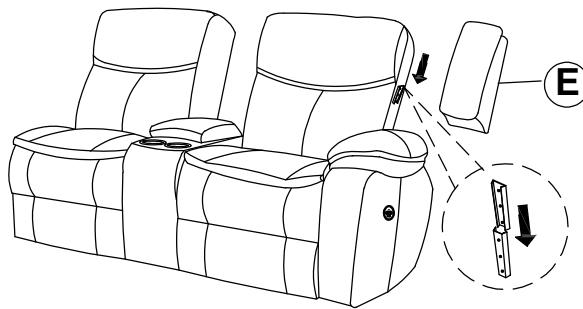
1	ADJUSTABLE SCREW (Ø5/16"x2)		2PCS
---	--------------------------------	---	------

ASSEMBLY INSTRUCTIONS

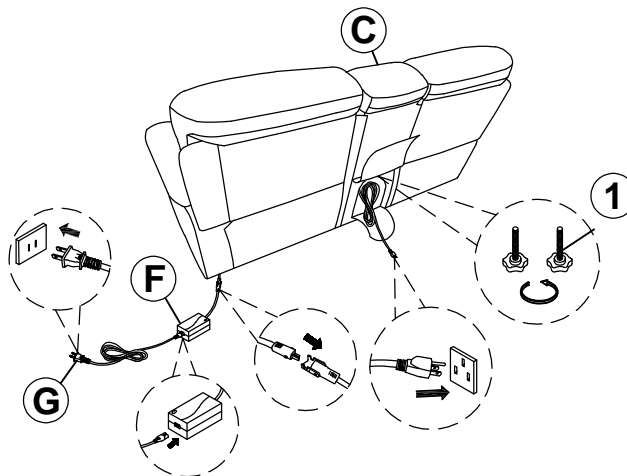
STEP 1



STEP 2

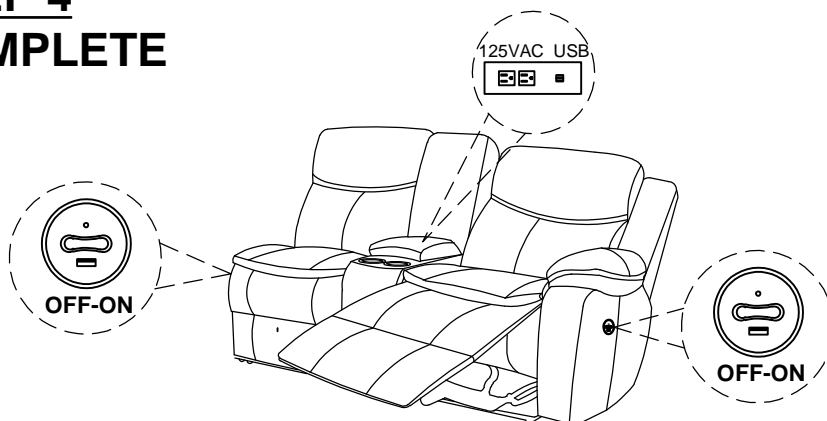


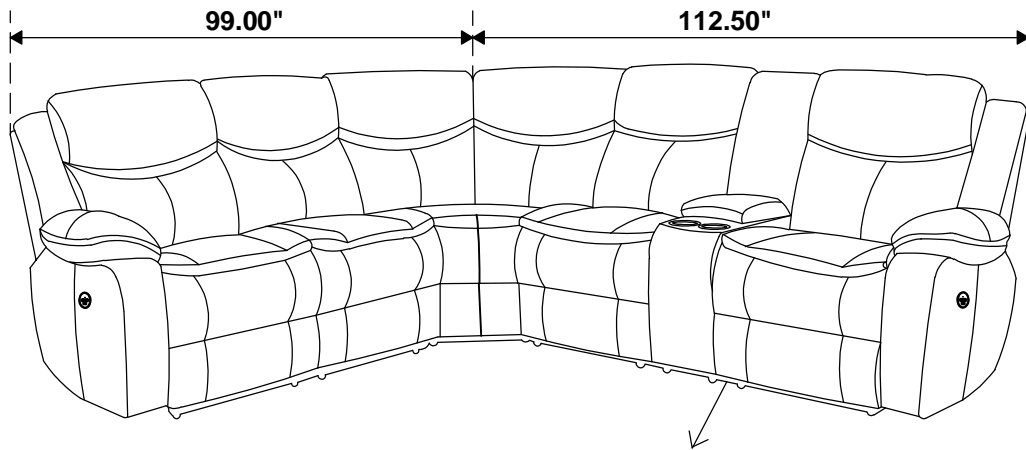
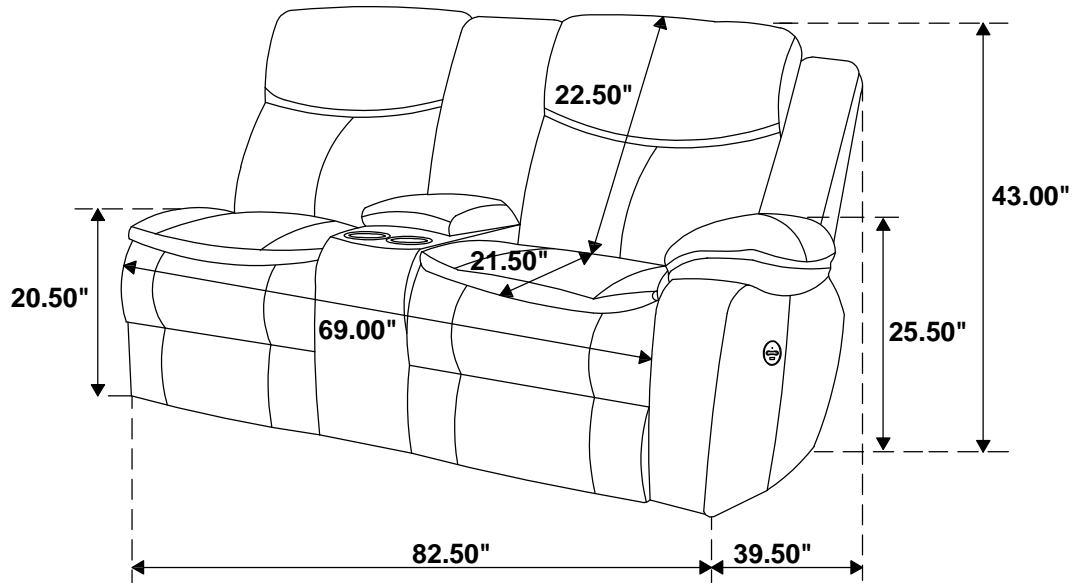
STEP 3



* BACK VIEW

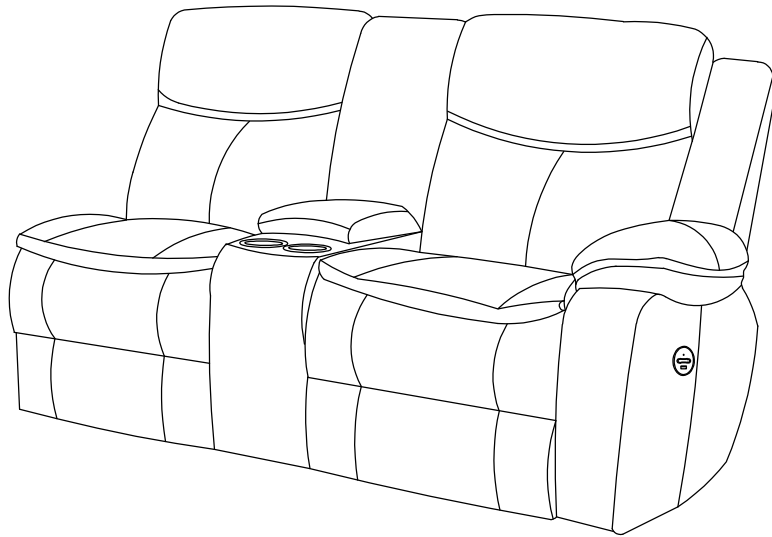
STEP 4 **COMPLETE**





Note: Dimension tolerance $\pm 5\%$

ASSEMBLY INSTRUCTIONS



Fine Furniture for every stage of life

RAF Power Loveseat

ITEM: 610200RLCP

ASSEMBLY INSTRUCTIONS

ASSEMBLY TIPS:

- 1.Remove hardware from box and sort by size.
- 2.Please check to see that all hardware and parts are present prior to start of assembly.
- 3.Please follow attached instructions in the same sequence as numbered to assure fast & easy assembly.

WARNING








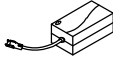

- 1.Don't attempt to repair or modify parts that are broken or defective. Please contact the store immediately.
- 2.This product is for home use only and not intended for commercial establishments.



ASSEMBLY TIME

5 MINUTES

PARTS IDENTIFICATION

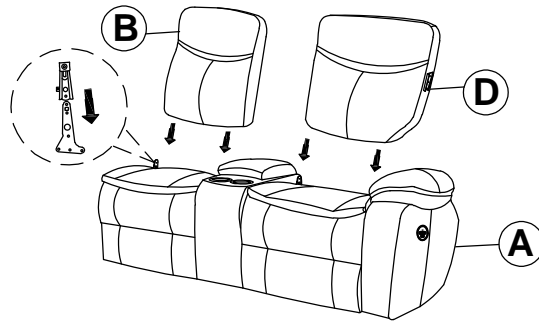
A	SEAT		1PC
B	LEFT BACK		1PC
C	CONSOLE BACK		1PC
D	RIGHT BACK		1PC
E	EAR		1PC
F	ADAPTER		1PC
G	POWER CABLE		1PC

HARDWARE IDENTIFICATION

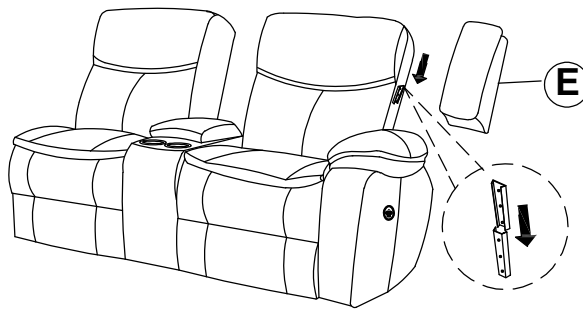
1	ADJUSTABLE SCREW (Ø5/16"x2)		2PCS
---	--------------------------------	---	------

ASSEMBLY INSTRUCTIONS

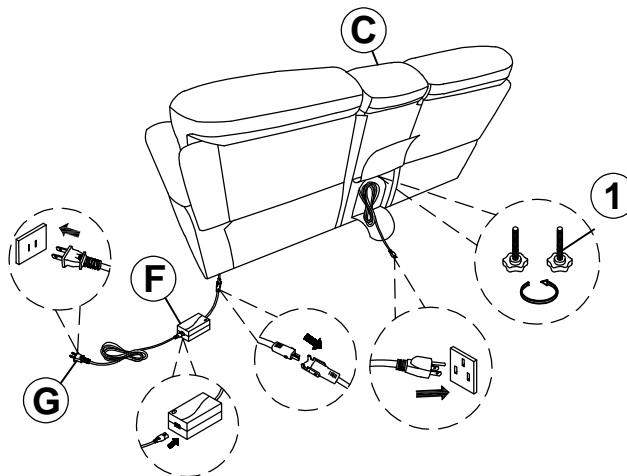
STEP 1



STEP 2

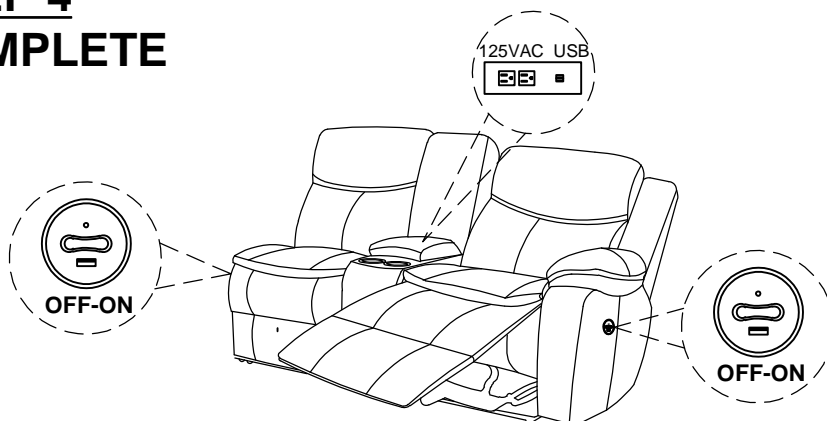


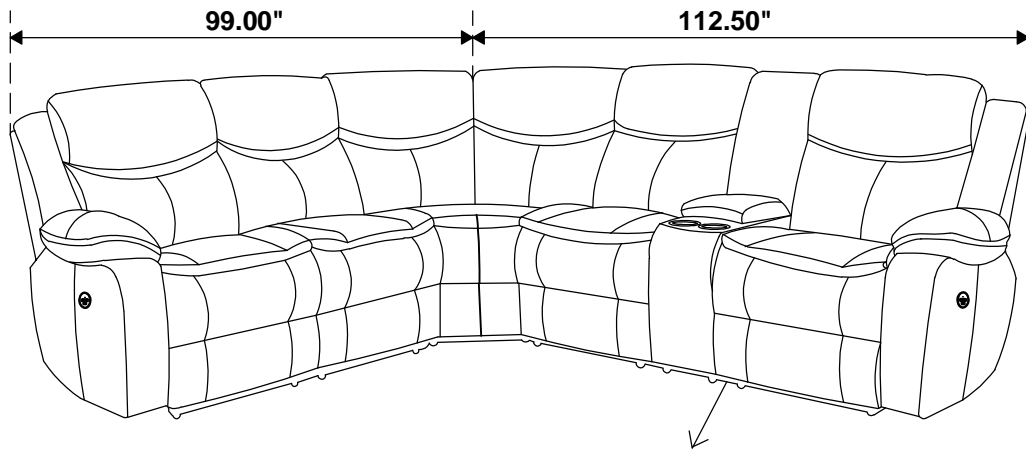
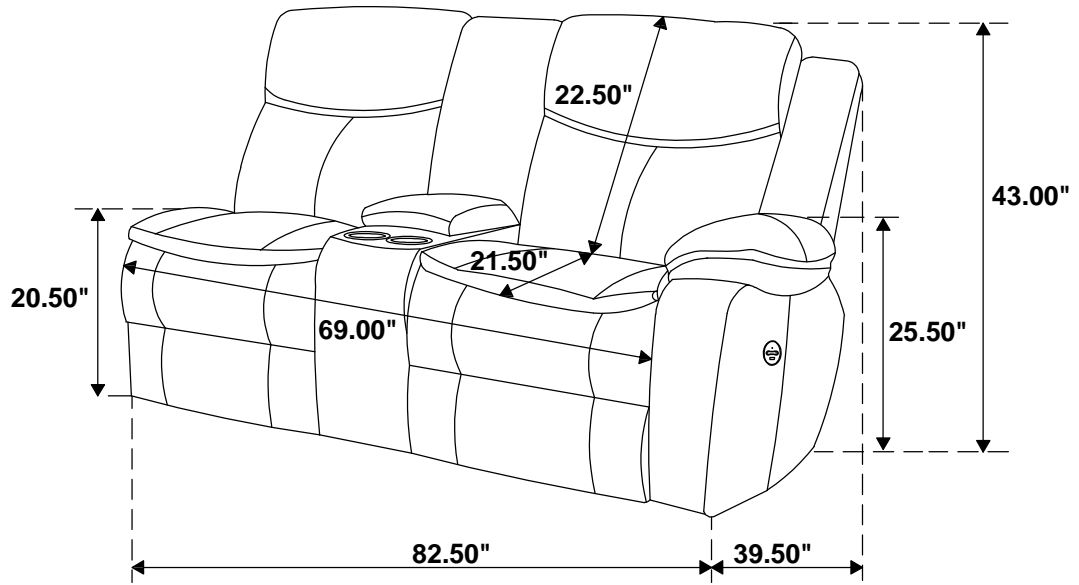
STEP 3



* BACK VIEW

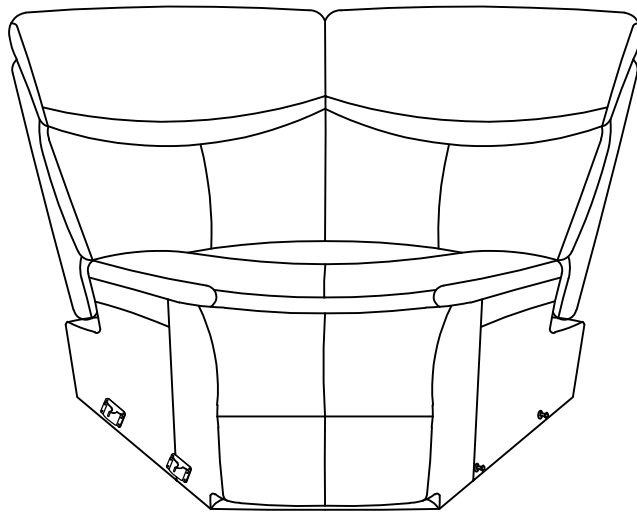
STEP 4 **COMPLETE**





Note: Dimension tolerance $\pm 5\%$

ASSEMBLY INSTRUCTIONS



Fine Furniture for every stage of life

Wedge

ASSEMBLY INSTRUCTIONS

ASSEMBLY TIPS:

- 1.Remove hardware from box and sort by size.
- 2.Please check to see that all hardware and parts are present prior to start of assembly.
- 3.Please follow attached instructions in the same sequence as numbered to assure fast & easy assembly.



WARNING




- 1.Don't attempt to repair or modify parts that are broken or defective. Please contact the store immediately.
- 2.This product is for home use only and not intended for commercial establishments.



ASSEMBLY TIME

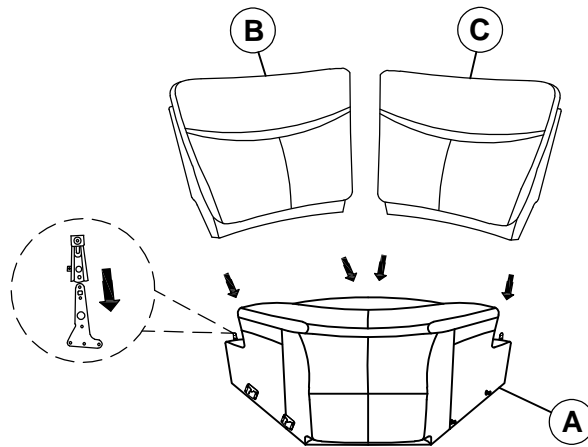
5 MINUTES

PARTS IDENTIFICATION

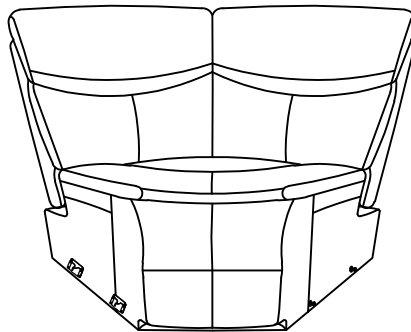
A	SEAT		1PC
B	LEFT BACK		1PC
C	RIGHT BACK		1PC

ASSEMBLY INSTRUCTIONS

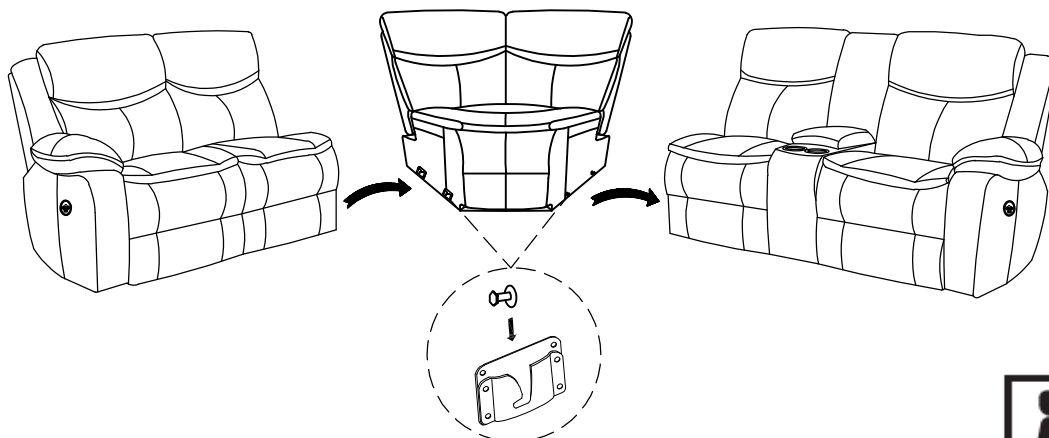
STEP 1

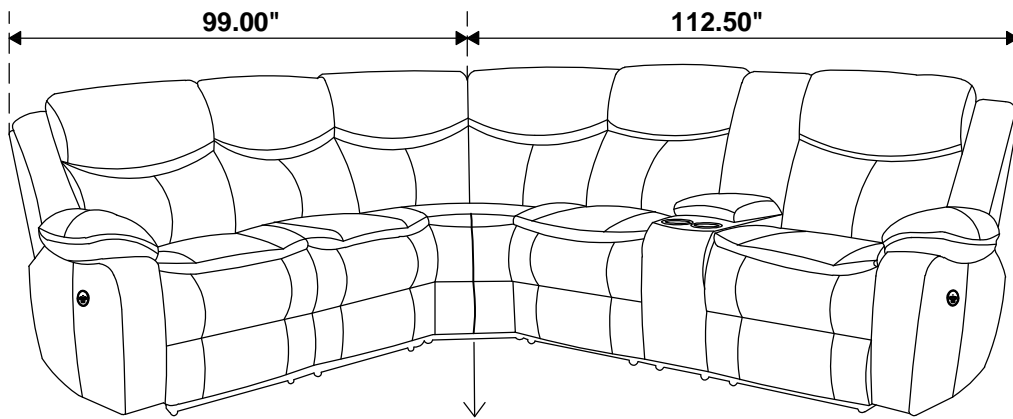
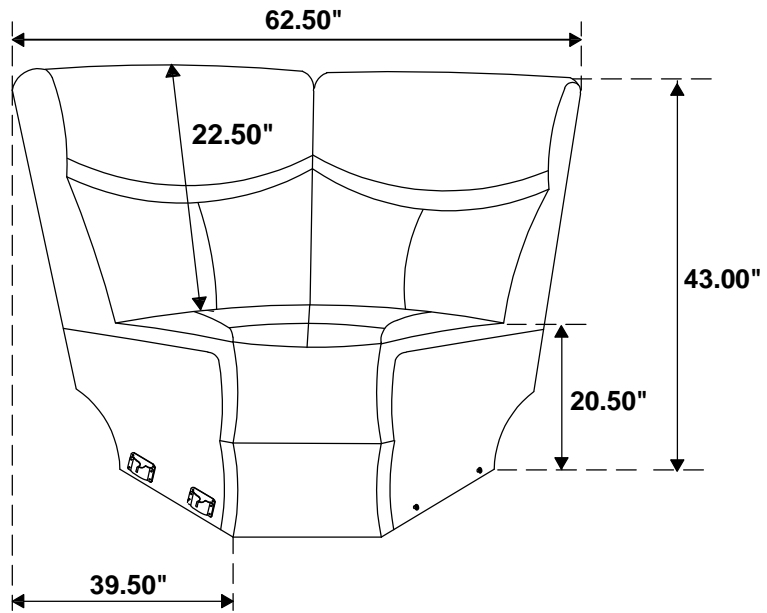


STEP 2



STEP 3 **COMPLETE**





Note: Dimension tolerance $\pm 5\%$