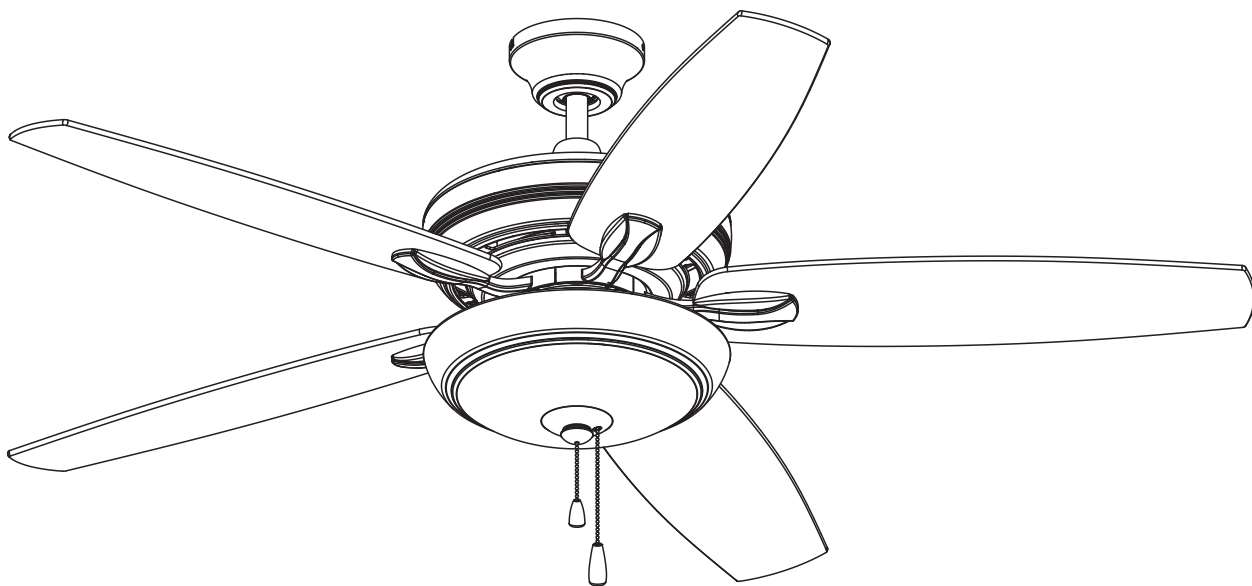

CEILING FAN



USE AND CARE GUIDE

Table of Contents

Section	Page	Section	Page
Safety Instructions	2	8. How to Wire Your Ceiling Fan	12
1. Unpacking Instructions	3-4	9. Installation of Ceiling Cover	13
2. Electrical Requirements	4	10. Installation of Ceiling Fan Blades	14
3. Installing Hanger Ball/Downrod Assembly	5-7	11. Installation of Light Fitter to Switch Housing	15-17
4. Installing Ceiling Cover on Fan Motor Housing	8	12. Installation of Light Kit Assembly	18-21
5. Installation of Hanger Bracket	9-10	13. Using Your Ceiling Fan	21
6. Hanging the Ceiling Fan (Standard)	11	14. Maintenance	22
7. Hanging the Ceiling Fan (Close-to-the-Ceiling)	11	15. Trouble Shooting	23

READ AND SAVE THESE INSTRUCTIONS

Safety Instructions

WARNING

TO REDUCE THE RISK OF FIRE, ELECTRICAL SHOCK, OR INJURY TO PERSONS, OBSERVE THE FOLLOWING:

- Use this unit only in a manner intended by the manufacturer. If you have questions, contact the manufacturer.
- Before servicing or cleaning unit, switch power off at service panel and lock service panel disconnecting means to prevent power from being switched on accidentally. When the service disconnecting means cannot be locked, securely fasten a warning device, such as a tag, to the service panel.

- Read your owner's manual carefully and keep it for future reference.
- Be careful of the fan and blades when cleaning, painting, or working near the fan. Always turn off the power to the ceiling fan before servicing.
- Do not put anything into the fan blades while they are turning.
- Do not operate reversing switch until fan blades have come to a complete stop.

Additional Safety Instructions for Installation

- To avoid possible shock, be sure electricity is turned off at the fuse box before wiring, and do not operate fan without blades.
- All wiring must be in accordance with the National Electrical Code "ANSI/NFPA 70-2017" and Local Electrical Codes. Use the National Electrical Code if Local Codes do not exist. The ceiling fan must be grounded as a precaution against possible electrical shock. Electrical installation should be made or approved by a licensed electrician.

- The outlet box and joist must be securely mounted and capable of reliably supporting at least 50 pounds. Use only U.L. outlet boxes listed as "Acceptable for Fan Support of 22.7 kg. (50 lbs.) or less", and use the mounting screws provided with the outlet box. Most outlet boxes commonly used for support of light fixtures are not acceptable for fan support and may need to be replaced. Consult a qualified electrician if in doubt.

CAUTION

To reduce the risk of injury, install the fan so that the blades are at least 7 ft. (2.1m) above the floor.

- The downrod furnished with the fan provides the minimum recommended floor to fan blade clearance for an 8 foot ceiling.
- Follow the recommended instructions for the proper method of wiring your ceiling fan. If you do not know enough about electrical wiring, have your fan installed by a licensed electrician.

NOTE: All setscrews must be checked and re-tightened where necessary before installation.

WARNING

To reduce the risk of electrical shock, this fan must be installed with an isolating wall control/switch.

To avoid fire, shock or injury, do not use a of control not specifically approved for this fan.

This product is designed to use only those parts supplied with this product and/or any accessories designated specifically for use with this product.

To reduce the risk of personal injury, do not bend the blade flange when installing the blade flanges, balancing the blades or cleaning the fan. Do not insert foreign objects in between rotating fan blades.

1. Unpacking Instructions

⚠ WARNING

Do not install or use fan if any part is damaged or missing.

⚠ WARNING

This product is designed to use only those parts supplied with this product and/or any accessories designated specifically for use with this product.

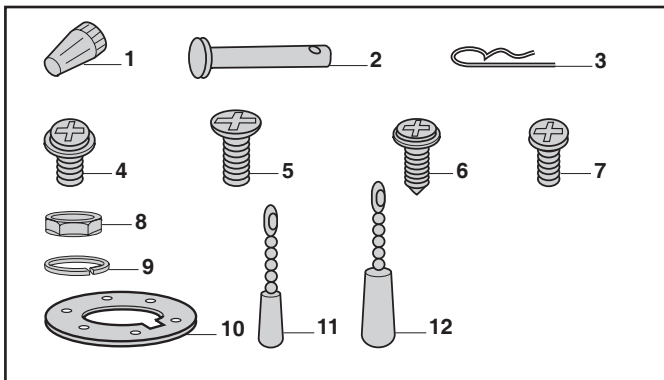
1.1

Check to see that you have received the following parts:

NOTE: If you are uncertain of part description, refer to exploded view illustration.

HARDWARE CONTENTS

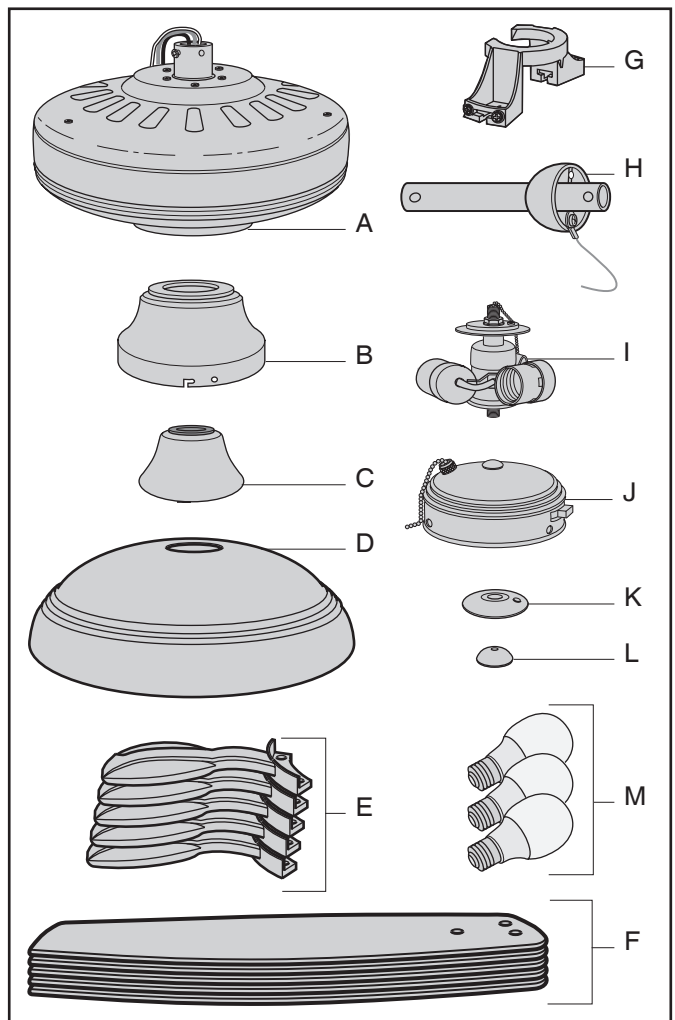
Part	Description	Quantity
1	Wire Connectors, 12 ga.	5
2	Clevis Pin	1
3	Hairpin Clip	1
4	#8-32 x 8mm Washer Head Screws	16
5	1/4-20 x 1/2" Oval Head Screws	11
6	M5 Screw (spare)	1
7	5/32" Truss Screw (spare)	1
8	Hex Jam Nut	1
9	Split Lockwasher	1
10	Rubber Gasket	1
11	Small Wood Pendant w/Coupling	1
12	Large Wood Pendant w/Coupling	1



NOTE: Place the parts from the loose parts bags in a small container to keep them from being lost.

PACKAGE CONTENTS

Part	Description	Quantity
A	Fan Motor Assembly	1
B	Ceiling Cover with Decorative Cap	1
C	Coupler Cover	1
D	Glass Shade	1
E	Flanges Set	5
F	Blades Set	5
G	Hanger Bracket, Dual Mount	1
H	Hanger Ball/4.5" Downrod Assembly	1
I	Light Fitter	1
J	Switch Housing	1
K	Bowl Cap	1
L	Finial Nut	1
M	6.5-Watt Medium Base LED Bulbs	3



1.2

Remove the Fan Motor Assembly from the protective plastic bag.

1. Unpacking Instructions (Continued)

This Manual Is Designed to Make it as Easy as Possible for You to Assemble, Install, Operate and Maintain Your Ceiling Fan

1.3

Place the Fan Assembly into the upper foam pad with the top of the Motor facing up.

The upper foam pad serves as a holder for the Fan during assembly.

Tools Needed for Assembly

One Phillips Head Screwdriver One Stepladder
One 1/4" Blade Screwdriver One Wire Stripper
One 9/16" or Adjustable Wrench

Materials

Wiring outlet box and box connectors must be of type required by the local code. The minimum wire would be a 3-conductor (2-wire with ground) of following size:

<u>Installed Wire Length</u>	<u>Wire Size A.W.G.</u>
Up to 50 ft.	14
50-100 ft.	12

WARNING

Before assembling your ceiling fan, refer to section on proper method of wiring your fan (page 12). If you feel you do not have enough wiring knowledge or experience, have your fan installed by a licensed electrician.

2. Electrical Requirements

Your new Ceiling Fan will require a Grounded Electrical Supply line of 120 Volts AC, 60 Hz, 15 Amp Circuit.

WARNING

To reduce the risk of fire, electric shock, or personal injury, mount fan to outlet box marked "Acceptable for Fan Support of 22.7 kg. (50 lbs.) or less", and use screws supplied with outlet box. Most outlet boxes commonly used for support of light fixtures are not acceptable for fan support and may need to be replaced. Consult a qualified electrician if in doubt.

WARNING

Turning off wall switch is not sufficient. To avoid possible electrical shock, be sure electricity is turned off at the main fuse box before wiring. All wiring must be in accordance with National and Local codes and the ceiling fan must be properly grounded as a precaution against possible electrical shock.

The Outlet Box must be securely anchored and capable of withstanding a load of at least 50 pounds.

If your Fan is to replace an existing ceiling light fixture, turn Electricity Off at the Main Fuse Box at this time and remove the existing light fixture.

WARNING

To avoid fire or shock, follow all wiring instructions carefully.

Any electrical work not described in these instructions should be done or approved by a licensed electrician.

IMPORTANT

Your ceiling fan is designed to be installed either in the standard manner, or in the close-to-the-ceiling manner. Using the standard method, the hanger ball/downrod assembly will suspend the fan several inches below the ceiling cover. Using the close-to-the-ceiling method, the ceiling cover installs directly on the fan motor housing, thus mounting the fan 3-1/2 inches closer to the ceiling than the standard method. In no case should the fan blades be lower than seven feet above the floor. Depending on your desired mounting method, proceed to “3. INSTALLING HANGER BALL/DOWNROD ASSEMBLY” for standard mounting, or to “4. INSTALLING CEILING COVER ON FAN MOTOR HOUSING” for close-to-the-ceiling mounting.

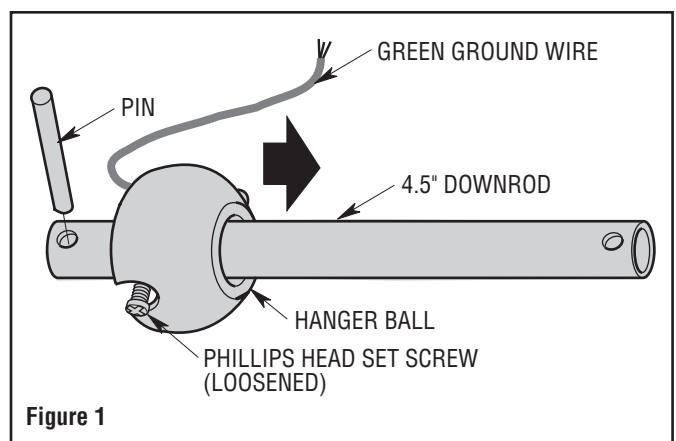
3. Installing Hanger Ball/Downrod Assembly (For Standard Mounting)

3.1

Remove the Hanger Ball by loosening the Set Screw in the Hanger Ball until the Ball falls freely down the Downrod (Figure 1).

Remove the Pin from the Downrod, then remove the Hanger Ball. Retain the Pin and Hanger Ball for reinstallation in Step 3.6.

NOTE: Do not loosen the Screw holding the Green Ground Wire.



3.2

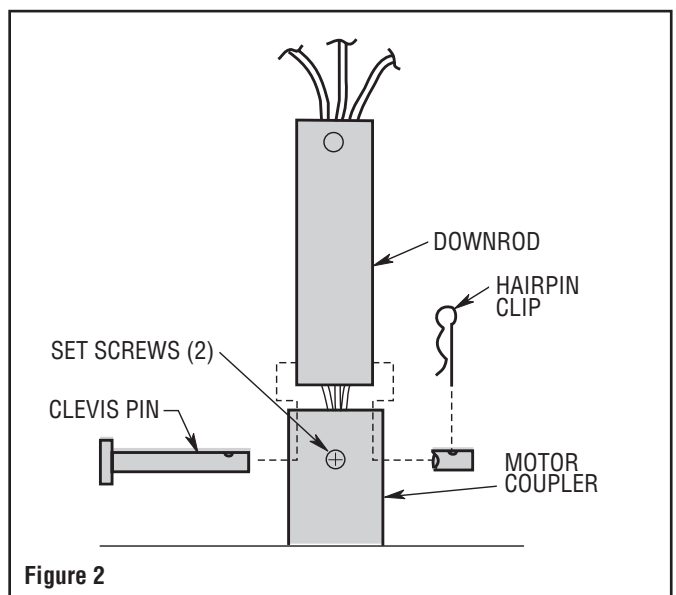
Separate, untwist and unkink the Three 80" Motor Wires. Route the Motor Wires through the Downrod.

Loosen the Two Set Screws preinstalled on the Motor Coupler.

Align the Clevis Pin Holes in the Downrod with the Holes in the Motor Coupler. Install the Clevis Pin and secure with the Hairpin Clip (Figure 2).

The Clevis Pin must go through the Holes in the Motor Coupler and the Holes in the Downrod. Be sure to push the straight leg of the Hairpin Clip through the Hole near the end of the Clevis Pin until the curved portion of the Hairpin Clip snaps around the Clevis Pin.

The Hairpin Clip must be properly installed to prevent the Clevis Pin from working loose. Pull on the Downrod to make sure the Clevis Pin is properly installed.



3. Installing Hanger Ball/Downrod Assembly (For Standard Mounting) (Continued)

3.3

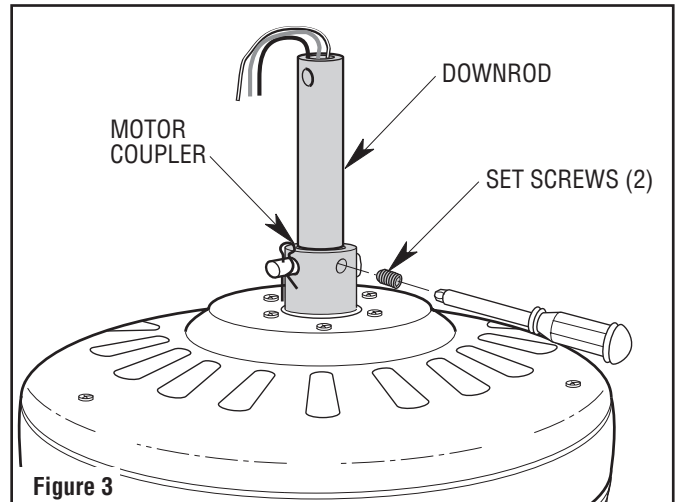
Securely tighten the Two Set Screws into the Motor Coupler until they rest against the Downrod.

Pull up on the Downrod to make sure the Set Screws are firmly installed against the Downrod (Figure 3).

NOTE: The setscrew must be properly installed as described above, or fan wobble could result.

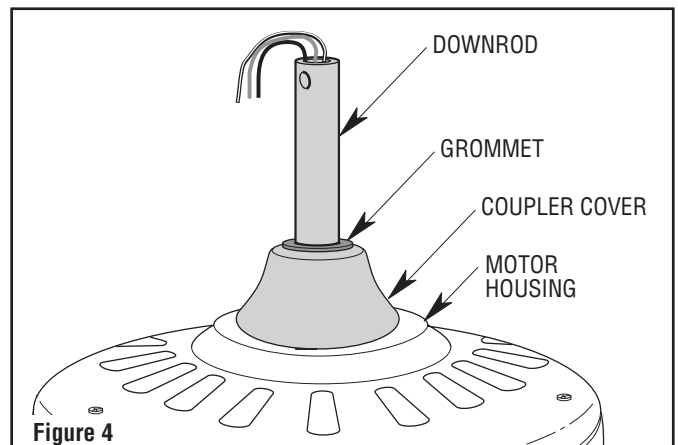
⚠ WARNING

It is critical that the clevis pin in the motor coupler is properly installed and the setscrews securely tightened. Failure to verify that the pin and setscrews are properly installed could result in the fan falling.



3.4

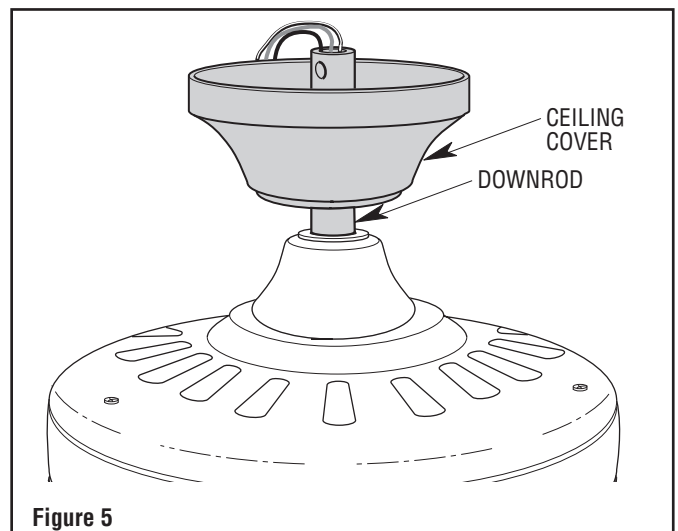
Make sure the Grommet is properly installed in the Motor Coupler Cover then slide the Motor Coupler Cover on the Downrod until it rests on the Motor Housing. Be sure the Motor Coupler Cover is oriented correctly (Figure 4).



3.5

Pass the 80-inch long Motor Wires through the opening in the Ceiling Cover.

Place the Ceiling Cover over the Downrod. Be sure the Ceiling Cover is oriented correctly (Figure 5).



3. Installing Hanger Ball/Downrod Assembly (For Standard Mounting) (Continued)

3.6

Reinstall the Hanger Ball (Figure 6) on the Downrod as follows. Route the 80-inch Motor Wires through the Hanger Ball. Position the Pin through the Two Holes in the Downrod and align the Ball so the Pin is captured in the Groove in the top of the Hanger Ball. Pull the Hanger Ball up tight against the Pin and securely tighten the Set Screw in the Hanger Ball. A loose Set Screw could create Fan wobble.

⚠ WARNING

It is critical that the pin in the hanger ball is properly installed and the setscrew securely tightened. Failure to verify that the pin and setscrew are properly installed could result in the fan falling.

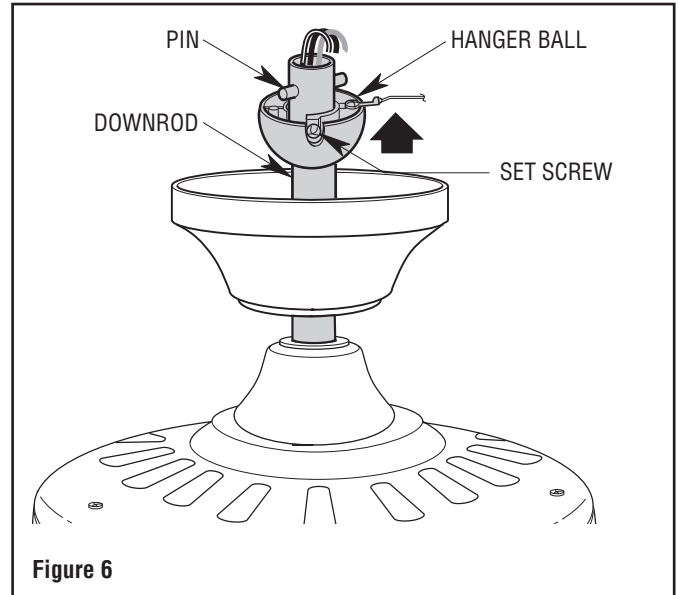


Figure 6

3.7

The Fan comes with Blue, Black and White Wires that are 80-inches long. Before installing the Fan, measure up approximately 6 to 9-inches above top of Hanger Ball/Downrod Assembly (Figure 7). Cut off excess Wires and strip back insulation 1/2-inch from end of Wires.

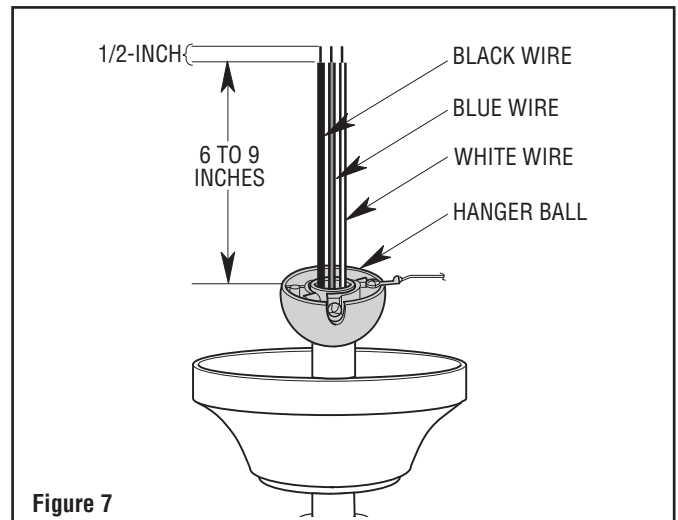


Figure 7

4. Installing Ceiling Cover on Fan Motor Housing (For Close-to-the-Ceiling Mounting)

4.1

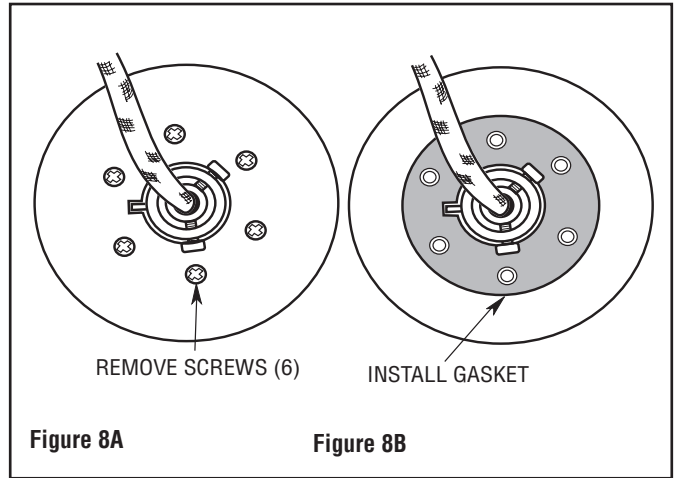
Remove and retain Six Screws and Lockwashers from the top of the Motor Housing (Figure 8A).

4.2

Remove the paper backing off the Rubber Gasket (supplied in parts bag) to expose the adhesive.

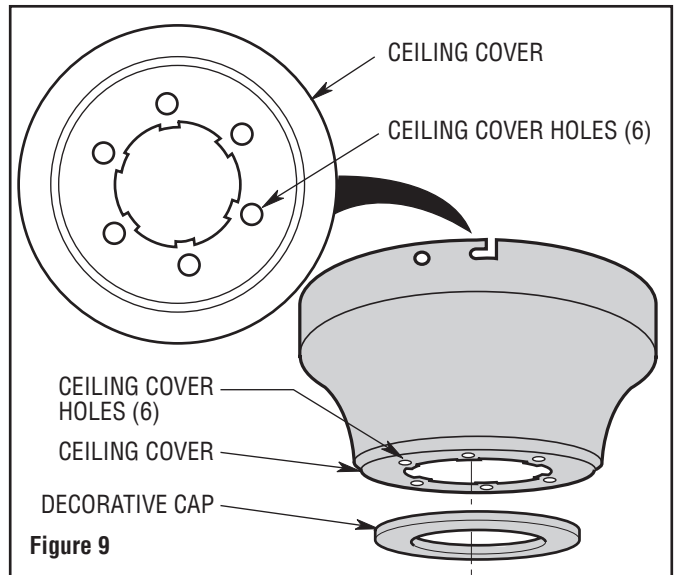
Position the Rubber Gasket on the Motor Housing (small holes in gasket centered over the screw holes in the housing and the notched area of the rubber gasket over the notched area of the housing).

Press the Rubber Gasket (adhesive side down) onto the Motor Housing to secure Gasket (Figure 8B).



4.3

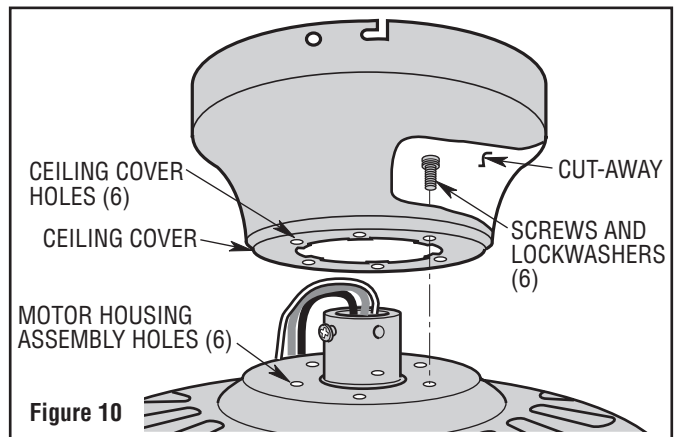
Gently pry the Decorative Cap from the Ceiling Cover to expose the Six Holes in the Ceiling Cover (Figure 9).



4.4

Place the Ceiling Cover onto the Motor Housing Assembly by aligning the Holes in the Ceiling Cover with the Holes in the Motor Housing (Figure 10).

Secure the Ceiling Cover to the Motor Housing Assembly by reinstalling the previously removed Six Screws and Lockwashers (Figure 10).



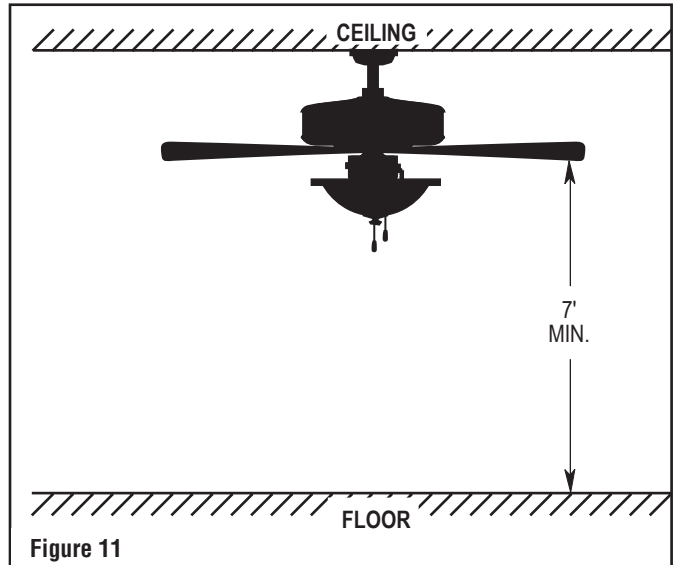
5. Installation of Hanger Bracket

⚠ CAUTION

To reduce the risk of injury, install the fan so that the blades are at least 7 ft. (2.1m) above the floor (Figure 11).

⚠ WARNING

Turning off wall switch is not sufficient. To avoid possible electrical shock, be sure electricity is turned off at the main fuse box before wiring. All wiring must be in accordance with National and Local codes and the ceiling fan must be properly grounded as a precaution against possible electrical shock.

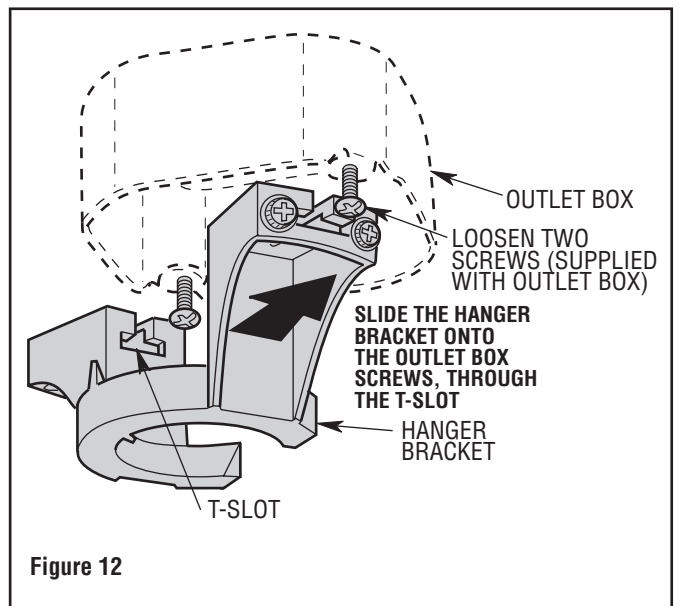


⚠ WARNING

The outlet box and joist must be securely mounted and capable of supporting at least 50 lbs. Use only a U.L. outlet box listed as "Acceptable for Fan Support of 22.7 kg. (50 lbs.) or less".

⚠ WARNING

To reduce the risk of fire, electric shock, or personal injury, mount fan to outlet box marked "Acceptable for Fan Support of 22.7 kg. (50 lbs.) or less", and use screws supplied with outlet box. Most outlet boxes commonly used for support of light fixtures are not acceptable for fan support and may need to be replaced. Consult a qualified electrician if in doubt.



5.1

Unscrew (but do not remove) the Two Mounting Screws in the Outlet Box (Figure 12). Position the Hanger Bracket on the Outlet Box so that the T-slots in the Hanger Bracket are aligned with the Outlet Box Screws.

5. Installation of Hanger Bracket (Continued)

5.2

Slide the Hanger Bracket onto the Outlet Box Screws. Center the Bracket over the Outlet Box and then securely tighten the Screws (Figure 13).

⚠ WARNING

Hanger bracket must seat firmly against outlet box. If the outlet box is recessed, use leveling washers between the hanger bracket and the outlet box until the bracket is flush with the ceiling. If bracket and/or outlet box are not securely attached, the fan could wobble or fall.

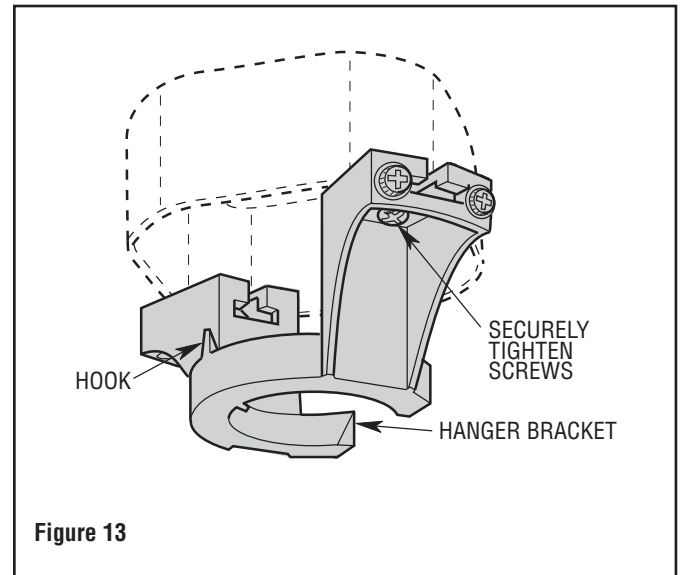


Figure 13

6. Hanging the Ceiling Fan (Standard Method Using Hanger Ball/Downrod)

6.1

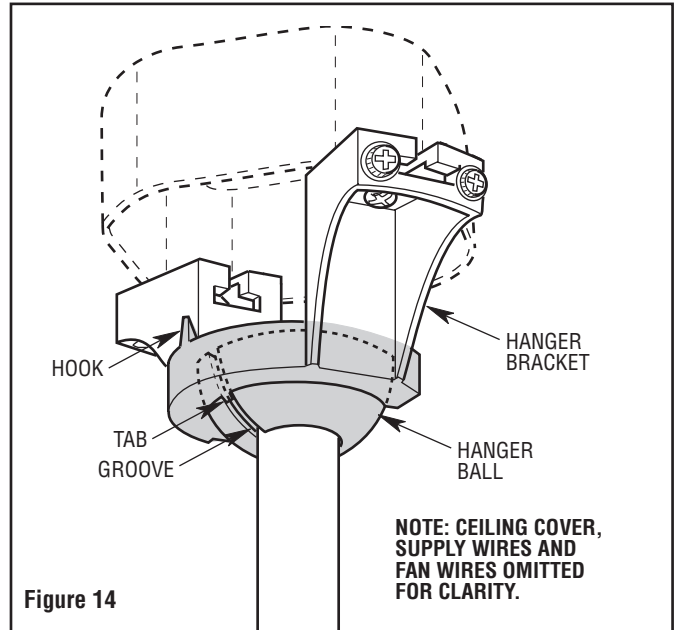
Carefully lift the fan assembly and seat the hanger ball in the hanger bracket (Figure 14). The tab on the hanger bracket must seat in the groove in the hanger ball.

⚠ WARNING

Failure to seat tab in groove could cause damage to electrical wires and possible shock or fire hazard.

⚠ WARNING

To avoid possible fire or shock, do not pinch wires between the hanger ball/downrod assembly and hanger bracket.



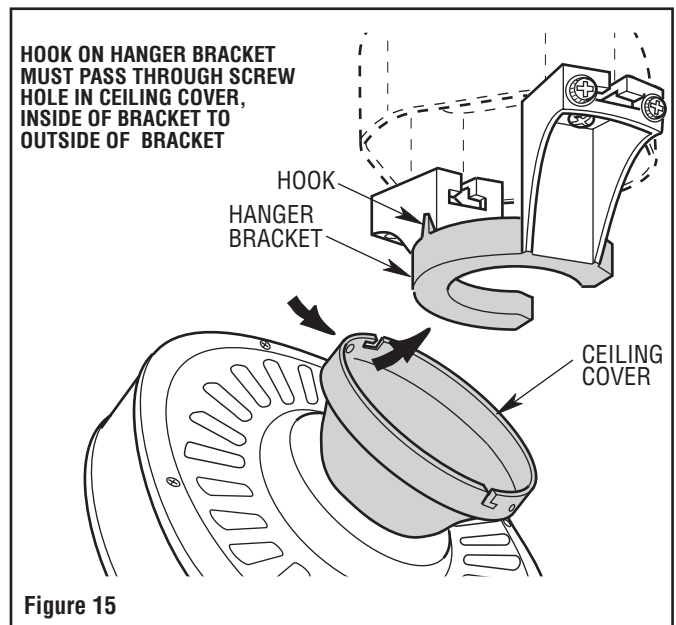
7. Hanging the Ceiling Fan (Close-to-the-Ceiling Method with Ceiling Cover Installed on the Motor Housing)

7.1

Carefully lift the Fan Assembly up to the Hanger Bracket. Pass the Hook on the Hanger Bracket (Figure 15) through one of the Screw Holes (not the slots) in the Ceiling Cover (Figure 15). The Hook must pass from the inside of the Ceiling Cover to the outside. The Hook will hold the Fan Assembly while connecting the wiring.

⚠ WARNING

The hook must pass through the screw hole in the ceiling cover from the inside to the outside. Any other hanging method may cause the hook to break and the fan to fall.



8. How to Wire Your Ceiling Fan

If you feel that you do not have enough electrical wiring knowledge or experience, have your fan installed by a licensed electrician.

⚠ WARNING

To avoid possible electrical shock, be sure electricity is turned off at the main fuse box before wiring.

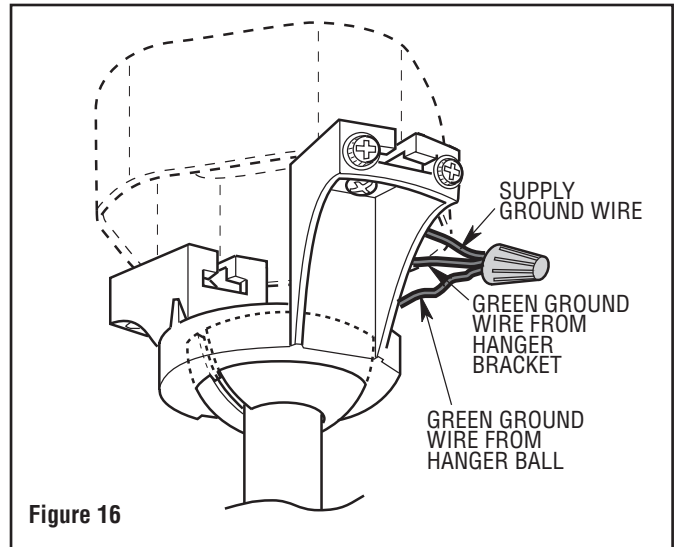
NOTE: If you are not sure if the outlet box is grounded, contact a licensed electrician for advice, as it must be grounded for safe operation.

⚠ WARNING

Turning off wall switch is not sufficient. To avoid possible electrical shock, be sure electricity is turned off at the main fuse box before wiring. All wiring must be in accordance with National and Local codes and the ceiling fan must be properly grounded as a precaution against possible electrical shock.

8.1

Connect the Green Grounding Wire from the Hanger Ball and the Green Grounding Wire from the Hanger Bracket to the Grounding Conductor of Supply (this may be a bare wire or wire with green colored insulation) (Figure 16). Securely connect Wires using Wire Connectors supplied.



NOTE: When wiring the ceiling fan for close-to-the-ceiling mounting, there will be no green grounding lead from the hanger ball.

⚠ WARNING

This product is designed to use only those parts supplied with this product and/or any accessories designated specifically for use with this product by Brands. Substitution of parts or accessories not designated for use with this product by Brands could result in personal injury or property damage.

8.2

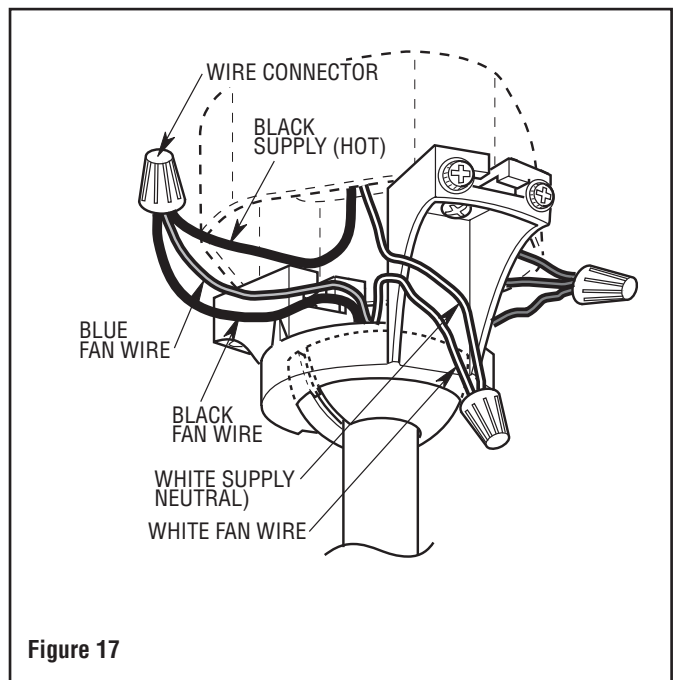
Securely connect the Fan Motor White Wire to the Supply White (neutral) Wire using Wire Connector supplied (Figure 17).

Securely connect the Fan Motor Black Wire and Blue Wire to the Supply Black (hot) Wire using Wire Connector supplied (Figure 17).

After Connections have been made, turn Wires upward and carefully push Wires into the Outlet Box, with the White and Green Wires on one side of the Outlet Box and the Black and Blue Wires on the other side of the Outlet Box.

⚠ WARNING

Check to see that all connections are tight, including ground, and that no bare wire is visible at the wire connectors, except for the ground wire. Do not operate fan until blades are in place. Noise and fan damage could result.



9. Installation of Ceiling Cover

9.1

Remove the Left Screw and Lockwasher from each side of the Hanger Bracket (Figure 18) and loosen the other Two Screws.

NOTE: When installing the ceiling fan using the close-to-the-ceiling method, carefully lift the fan assembly from the hook on the hanger bracket and proceed as follows.

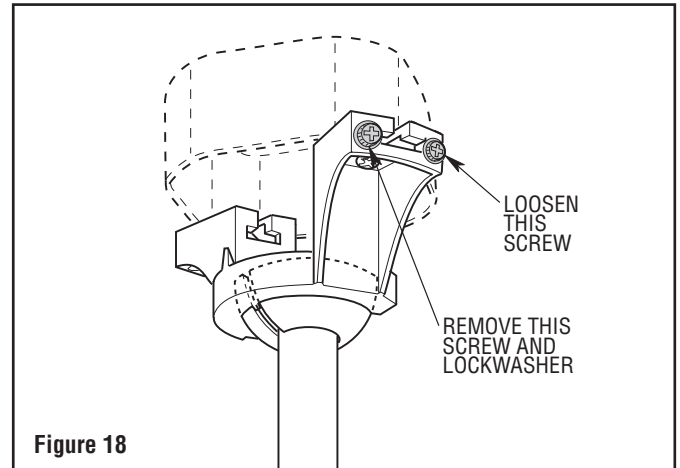


Figure 18

9.2

Lift the Ceiling Cover up to the Hanger Bracket. Engage the Slots in the Ceiling Cover with the loosened Screws in the Bracket and turn the Cover counterclockwise (Figure 19). Be sure that the Lockwashers are between the Screw Heads and the Ceiling Cover.

Install the other Two Screws and Lockwashers; tighten all Screws securely

WARNING

To avoid possible fire or shock, make sure that the electrical wires are completely inside the outlet box and not pinched between the ceiling cover and the ceiling.

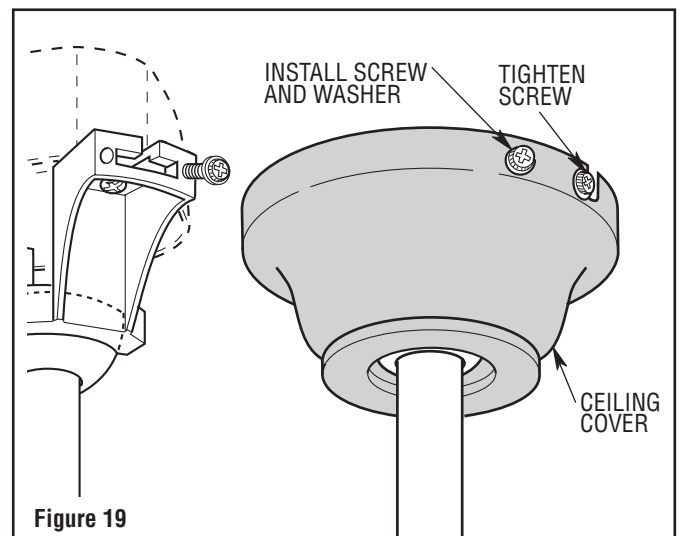


Figure 19

10. Installation of Ceiling Fan Blades

10.1

Remove and discard the Five Motor Hub Spacers to free the Motor for installation of Ceiling Fan Blades (Figure 20).

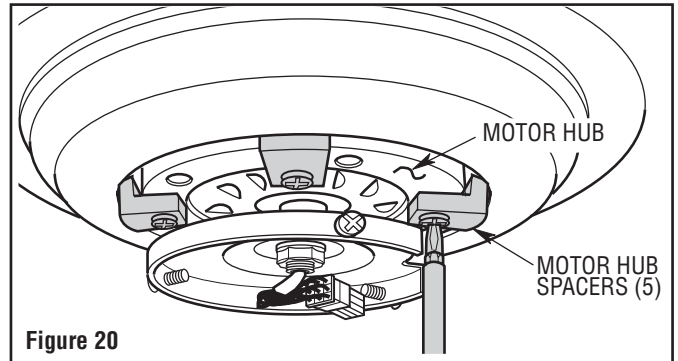


Figure 20

10.2

Mount the Flanges to the Blades using Three #8-32 x 8mm Washer Head Screws (supplied) per Blade (Figure 21).

Repeat this procedure for remaining Four Blades and Flanges.

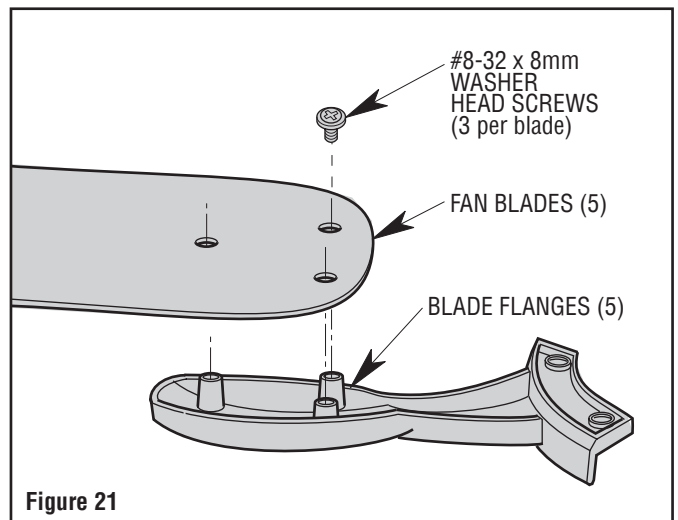


Figure 21

WARNING

To reduce the risk of personal injury, do not bend the blade flanges when installing the flanges, balancing the blades, or cleaning the fan. Do not insert foreign objects between rotating fan blades.

10.3

Rotate the Motor Hub to expose the Motor Flange Holes through the Switch Housing Plate.

Attach a Blade/Flange Assembly to the Motor Hub using Two 1/4-20 x 1/2" Oval Head Screws (supplied) (Figure 22). Do not tighten completely at this time.

Install remaining Blade Assemblies in the same way. Gently snug all Flange Screws to the Motor Hub, working around the Hub in a clockwise sequence.

NOTE: Take care not to scratch fan housing assembly when installing blades.

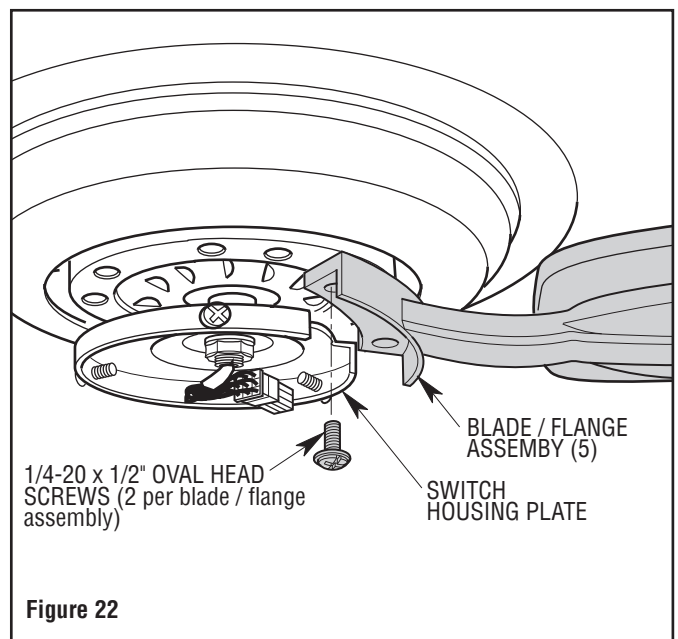


Figure 22

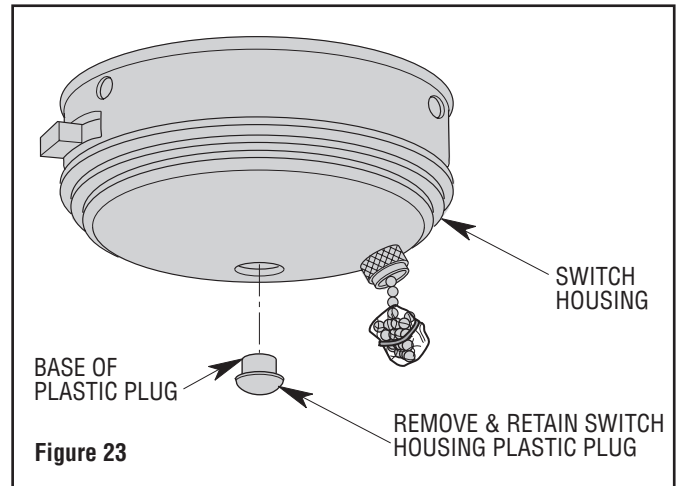
11. Installation of Light Fitter to Switch Housing

11.1

Remove the Plastic Plug from the Switch Housing (Figure 23).

NOTE: Use pliers to squeeze the base of the plastic plug to release the plug from the switch housing hole.

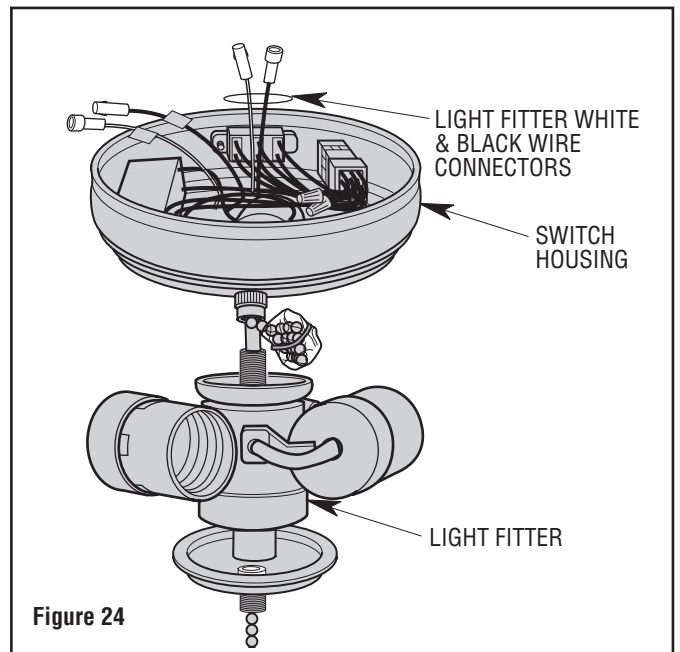
Retain the Plastic Plug for future use.



11.2

Insert the Light Fitter into the Switch Housing (Figure 24).

Insert the Light Fitter White and Black Wire Connectors through the Center Hole in the Switch Housing (Figure 24).



11. Installation of Light Fitter to Switch Housing (Continued)

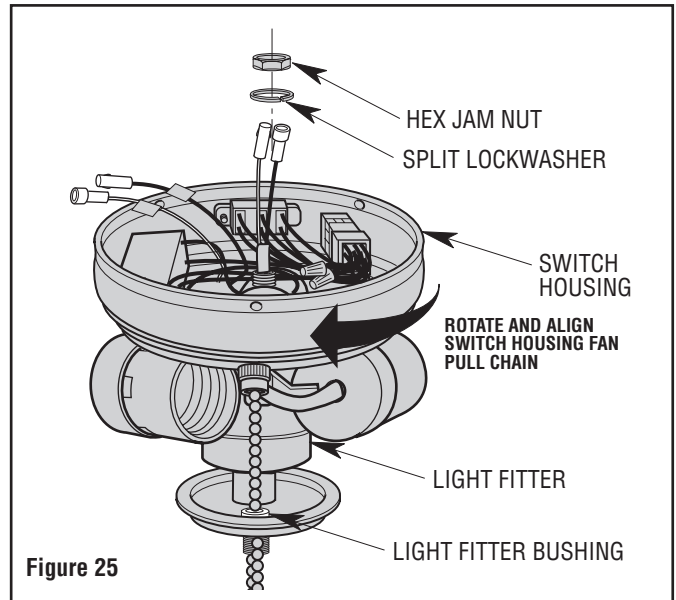
11.3

Rotate the Switch Housing and align the Light Kit Fitter Plate to line up the Fan Speed Control Pull Chain Switch for ease of Pull Chain Assembly.

Remove the rubber band and plastic from around the Switch Housing Pull Chain for ease of assembly.

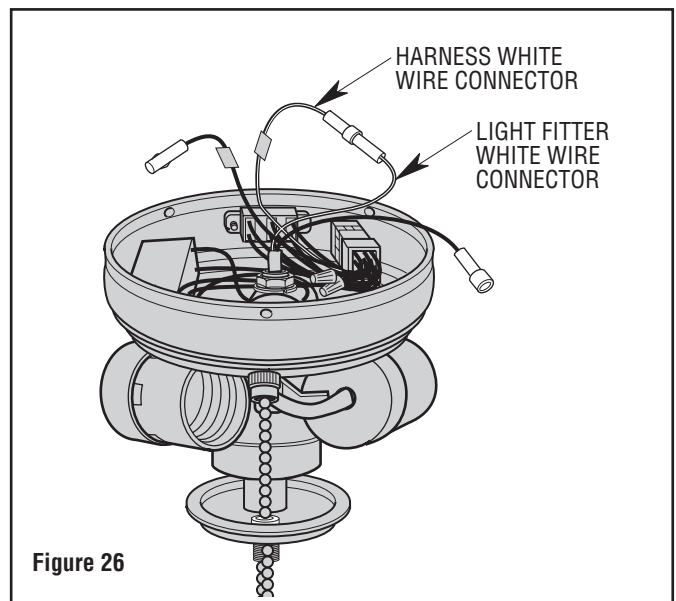
Position the Fan Speed Control Switch Pull Chain through the Light Fitter Bushing Hole of the Light Kit Fitter Plate (Figure 25).

Install the Split Lockwasher and Hex Jam Nut (supplied in the parts bag) onto the Light Fitter/Switch Housing Assembly and tighten securely (Figure 25).



11.4

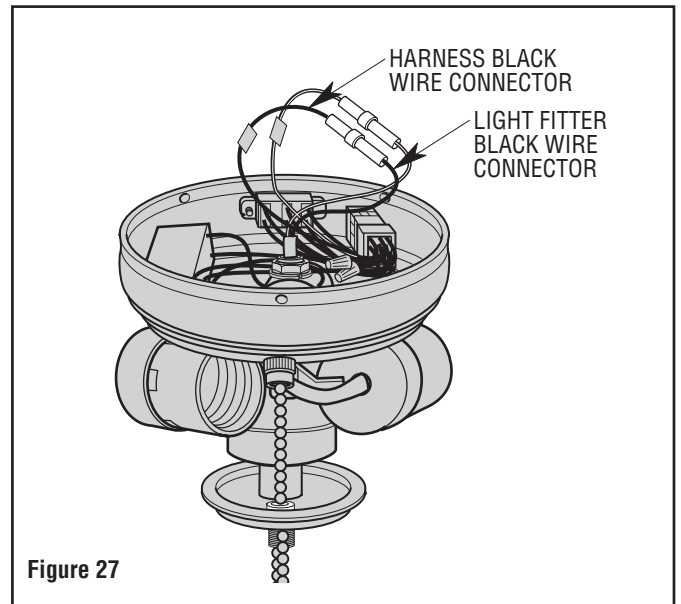
Engage the Harness White Wire Connector to the Light Fitter White Wire Connector until you hear a snap to secure the Connectors (Figure 26).



11. Installation of Light Fitter to Switch Housing (Continued)

11.5

Engage the Harness Black Wire Connector to the Light Fitter Black Wire Connector until you hear a snap to secure the Connectors (Figure 27).



12. Installation of Light Kit Assembly

12.1

Engage the Color-Coded Connector of the Light Kit Assembly with the Motor Connector (Figure 28).

The Two Connectors are keyed and Color-Coded and must be mated correctly (color-to-color) before they can be engaged.

Make sure the Connector Latch closes properly.

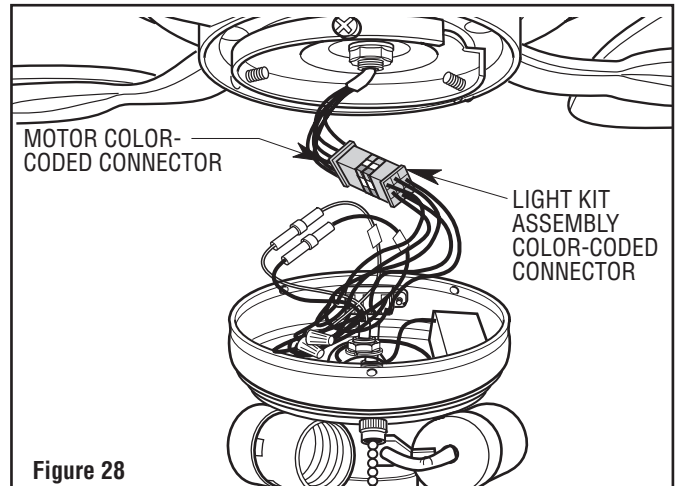


Figure 28

12.2

Remove the Three Switch Housing Plate Screws and retain for future use. (Figure 29).

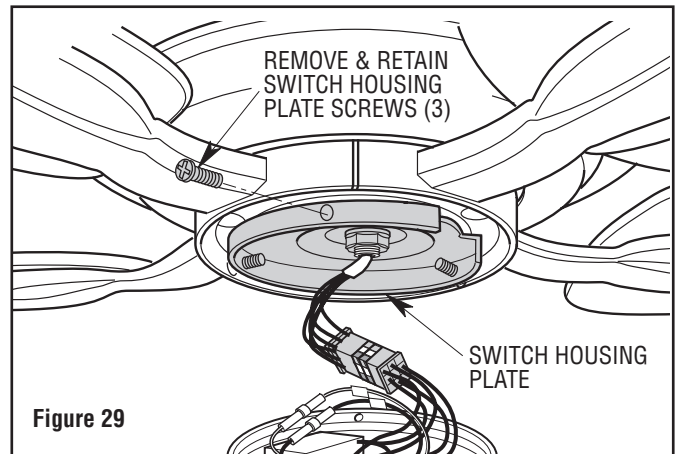


Figure 29

12.3

Align the Light Kit Assembly Holes with the Switch Housing Plate Holes.

Carefully tuck all the Wires and Connectors into the Switch Cup Housing.

Secure the Light Kit Assembly by reinstalling the Three previous removed Screws (Figure 30).

⚠ WARNING

To avoid possible fire or shock, do not pinch wires between the light kit assembly and the switch cup plate.

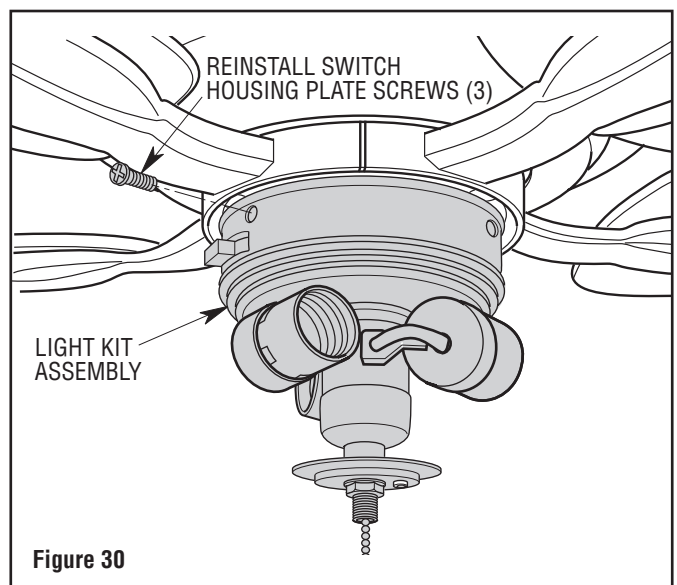


Figure 30

12. Installation of Light Kit Assembly (Continued)

12.4

Screw the Three 6.5-watt (maximum) Medium Base LED Bulbs in the Light Kit Assembly Sockets (Figure 31).

! WARNING

To avoid risk of burns or other injuries, turn power off and allow lamps to fully cool before attempting to replace the medium base LED bulbs.

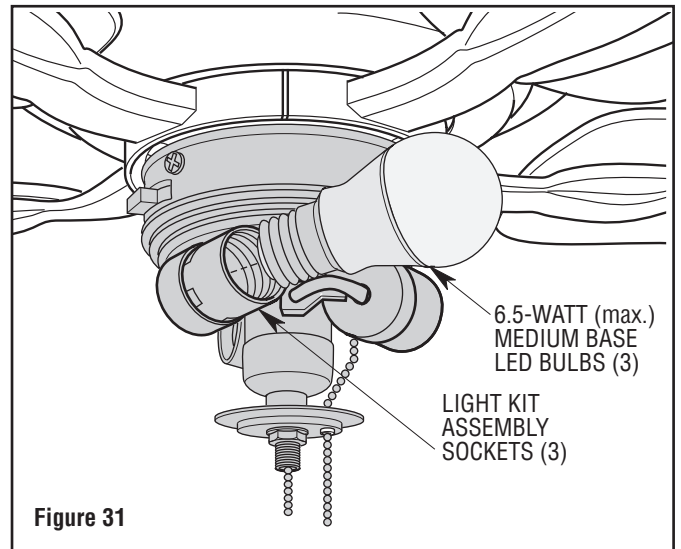


Figure 31

12.5

NOTE: Be sure that the fan speed control switch chain does not make contact with the light bulbs. If necessary reposition the light fitter to avoid the fan speed control switch chain from touching the light bulbs (Figure 32).

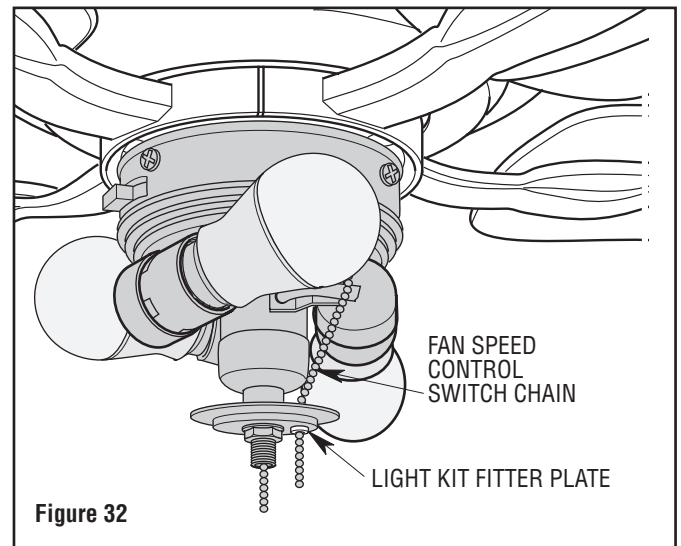


Figure 32

12. Installation of Light Kit Assembly (Continued)

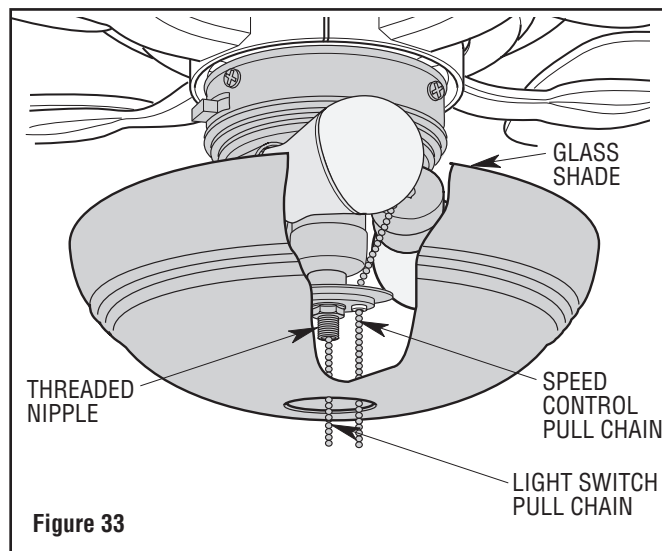
12.6

Position the Light Switch Pull Chain through the Center Hole of the Glass Shade.

Position the Fan Speed Control Switch Pull Chain through the Center Hole of the Glass Shade.

NOTE: Be sure that the fan switch chain does not make contact with the light bulbs. If necessary reposition the light fitter to avoid the fan switch chain from touching the light bulbs.

Place the Glass Shade onto the Light Kit Assembly Threaded Nipple (Figure 33).



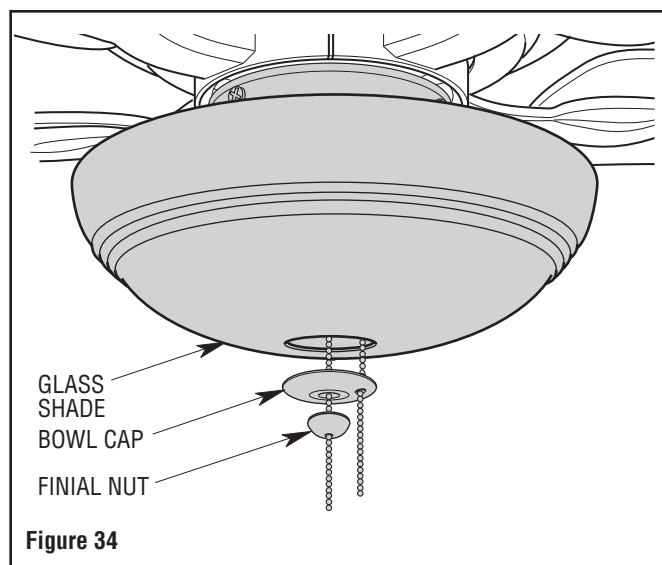
12.7

Pass the Light Pull Chain through the Center Bushing in the Bowl Cap.

Pass the Speed Control Switch Pull Chain through the Offset Hole of the Bowl Cap.

Place the Bowl Cap on the Threaded Nipple and against the Glass Shade (Figure 34).

Install Finial Nut finger tight to secure the Bowl Cap to the Glass Shade (Figure 34).

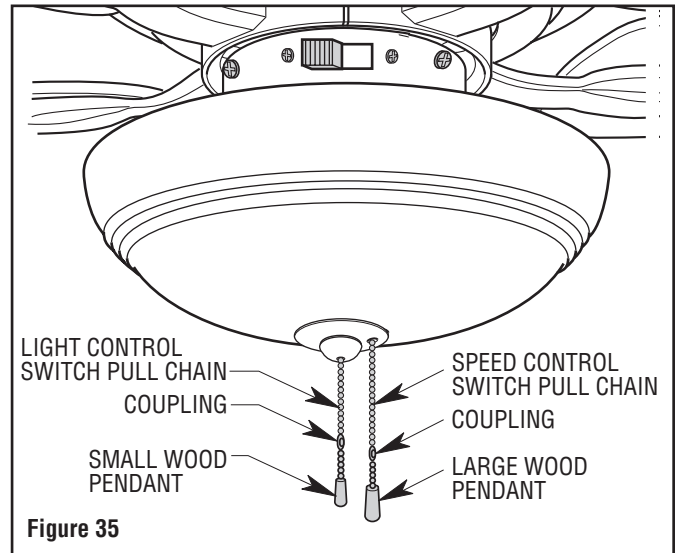


12. Installation of Light Kit Assembly (Continued)

12.8

Cut the Speed Control Switch Pull Chain and the Light Switch Pull Chain to the desired lengths.

Attach each Pendant/Coupling Assembly (supplied) to the ends of each Pull Chain using the attached Coupling (Figure 35).



13. Using Your Ceiling Fan

13.1

Restore Electrical Power to the Outlet Box by turning the Electricity on at the Main Fuse Box.

Check the operation of the light by gently pulling on the Light Switch Pull Chain (Figure 36).

Check the operation of the Fan by gently pulling on the Speed Control Switch Pull Chain (Figure 36). The operation sequence is as follows:

- | | |
|-------------------|----------------|
| 1st pull - High | 3rd pull - Low |
| 2nd pull - Medium | 4th pull - OFF |

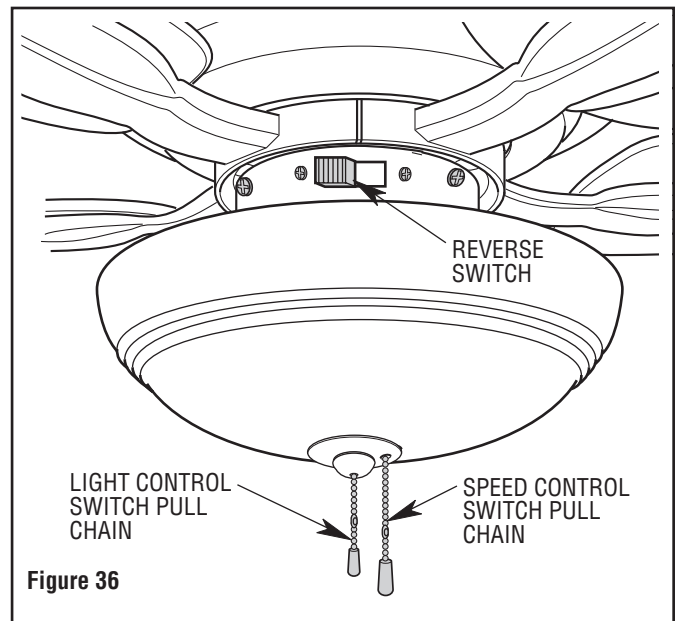
During Summer Months, run the Fan Counter-Clockwise, as you look up at it, to direct airflow downward.

During the Winter Months, run the Fan Clockwise, as you look up at it, to direct airflow upward.

If airflow is desired in the opposite direction, turn the Ceiling Fan OFF and wait for the Blades to stop turning.

Slide the Reverse Switch (located on the side of the switch housing) to the opposite position, and turn the Ceiling Fan on again (Figure 36).

The Fan Blades will turn in the opposite direction and reverse the airflow.



Reverse Switch Information

Season	Blade Rotation Direction
Summer	Counter-Clockwise
Winter	Clockwise

14. Maintenance

IMPORTANT CARE INSTRUCTIONS for your Ceiling Fan

Periodic cleaning of your new ceiling fan is the only maintenance that is needed.

When cleaning, use only a soft brush or lint free cloth to avoid scratching the finish.

Abrasive cleaning agents are not required and should be avoided to prevent damage to finish.





WARNING

Do not use water when cleaning your ceiling fan. It could damage the motor or the blades and create the possibility of an electrical shock.

15. Troubleshooting

WARNING

FOR YOUR OWN SAFETY TURN OFF POWER AT FUSE BOX OR CIRCUIT BREAKER BEFORE TROUBLESHOOTING YOUR FAN.

TROUBLE	PROBABLE CAUSE	SUGGESTED REMEDY
1. Fan will not start.	<ol style="list-style-type: none"> 1. Fuse or circuit breaker blown. 2. Loose power line connections to the fan, or loose switch wire connections in the switch housing. 3. Reverse switch in neutral position. 	<ol style="list-style-type: none"> 1. Check main and branch circuit fuses or circuit breakers. 2. Check line wire connections to fan and switch wire connections in the switch housing. <div style="border: 1px solid black; padding: 5px; text-align: center;"> <p> WARNING</p> <p>Make sure main power is turned OFF.</p> </div> <ol style="list-style-type: none"> 3. Make sure reverse switch position is all the way to one side.
2. Fan sounds noisy.	<ol style="list-style-type: none"> 1. Blades not attached to fan. 2. Loose screws in motor housing. 3. Wire connectors inside switch housing rattling. 4. Screws holding blades to motor hub are loose. 	<ol style="list-style-type: none"> 1. Attach blades to fan before operating. 2. Check to make sure all screws in motor housing are snug (not over-tight). 3. Check to make sure wire connectors in switch housing are not rattling against each other or against the interior wall of the switch housing. <div style="border: 1px solid black; padding: 5px; text-align: center;"> <p> WARNING</p> <p>Make sure main power is turned OFF.</p> </div> <ol style="list-style-type: none"> 4. Tighten screws securely.
3. Fan wobbles excessively.	<ol style="list-style-type: none"> 1. Set screws in motor coupler are loose. 2. Set screw in hanger ball/downrod assembly is loose. 3. Screws securing fan blades to motor hub are loose. 4. Hanger bracket and/or ceiling outlet box is not securely fastened. 5. Fan blades out of balance. 	<ol style="list-style-type: none"> 1. Tighten both set screws securely in the motor coupler. 2. Tighten the set screw in the hanger ball/downrod assembly. 3. Check to be sure screws which attach the fan blades to the motor are tight. 4. Tighten the hanger bracket screws to the outlet box, and/or secure outlet box. 5. Interchanging an adjacent (side-by-side) blade pair can redistribute the weight and result in smoother operation.
4. Lamps will not illuminate.	<ol style="list-style-type: none"> 1. Loose electrical connectors. 2. The lamps are burnt out. 	<ol style="list-style-type: none"> 1. Shut off the branch circuit electricity at the fuse box or breaker. panel and check the receiver electrical connectors for proper installation. 2. Turn the electricity off and replace the lamp with a new lamp.