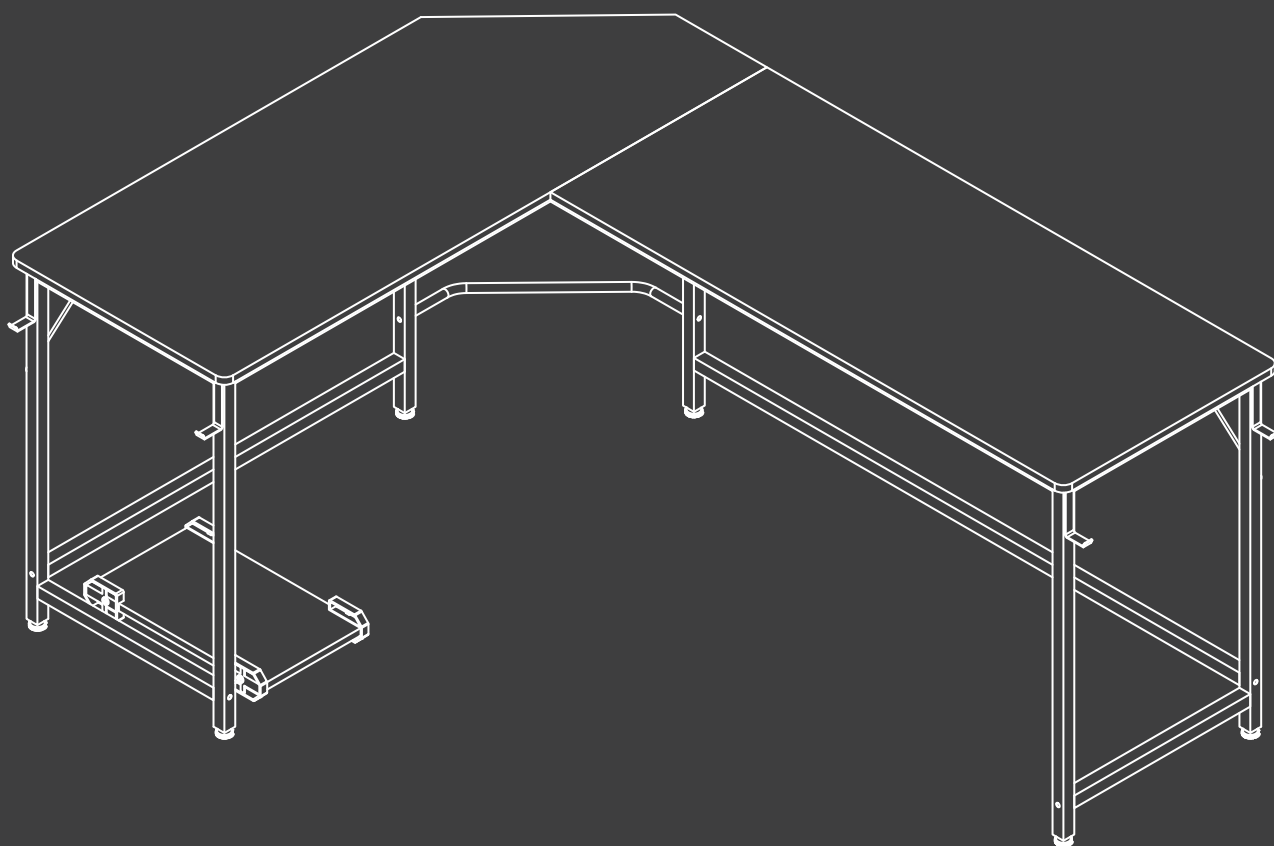
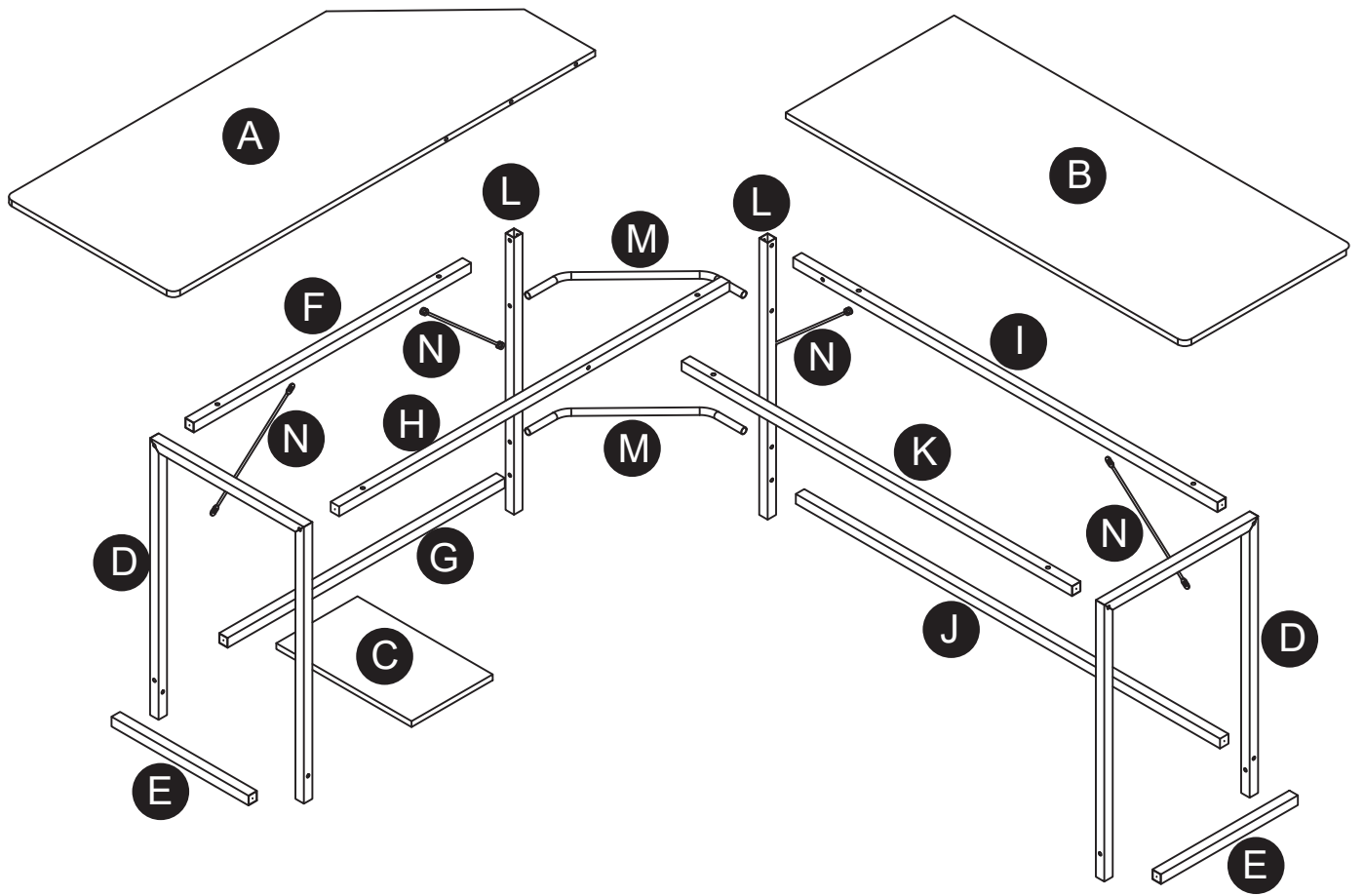


L Shaped Desk

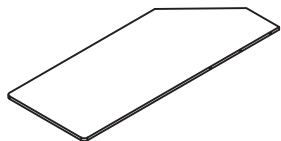
Instruction Manual



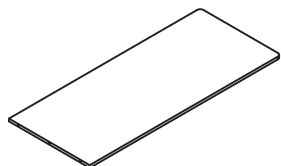


COMPONENTS LIST

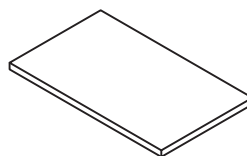
A X1



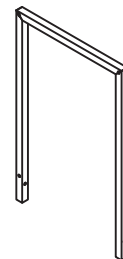
B X1



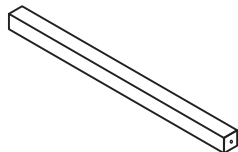
C X1



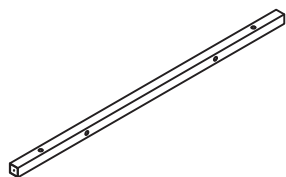
D X2



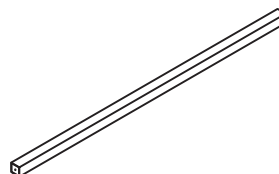
E X2



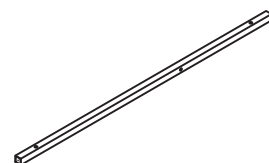
F X1



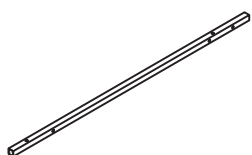
G X1



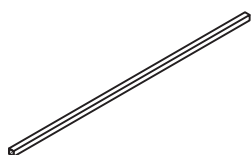
H X1



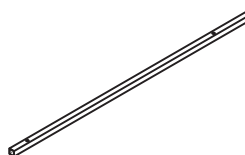
I X1



J X1



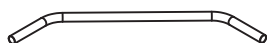
K X1



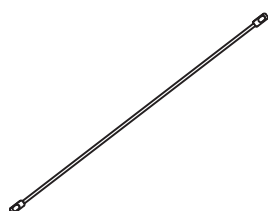
L X2



M X2

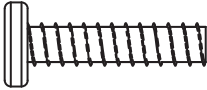


N X4



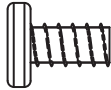
HARDWARE

1 x28



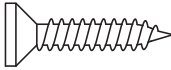
M6x35mm

2 x8



M6x12mm

3 x4



M4x18mm

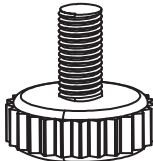
4 x4



5 x4



6 x6



M6

7 x3



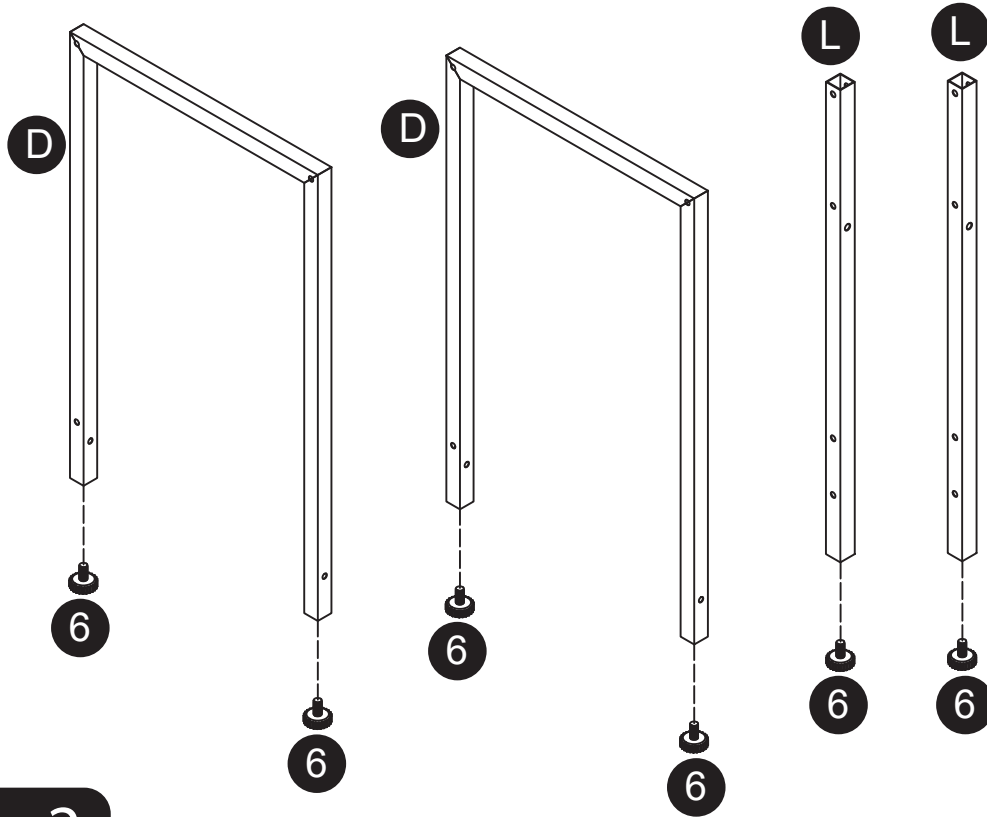
M8x40mm

8 x1

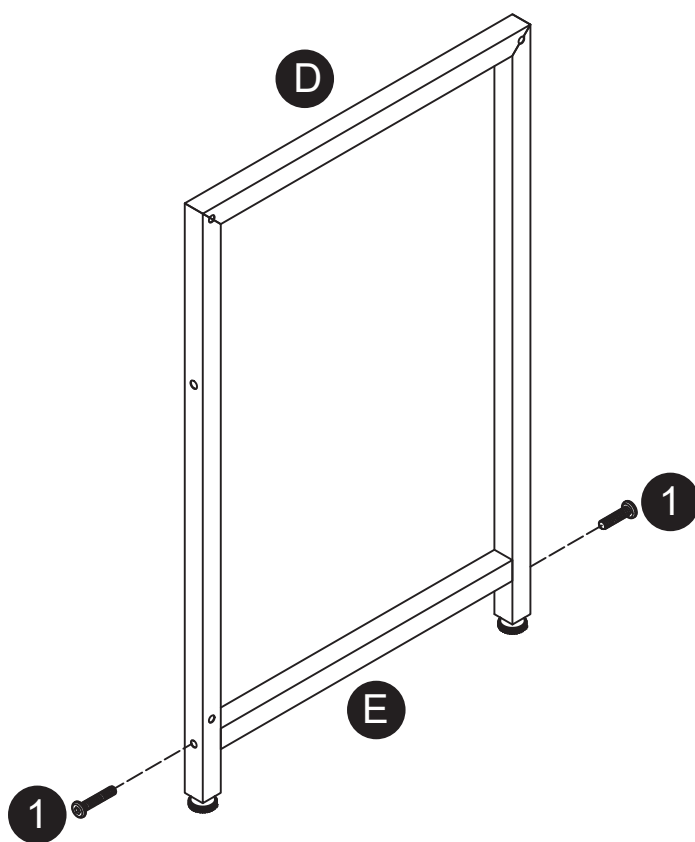


ASSEMBLY INSTRUCTION

Step 1

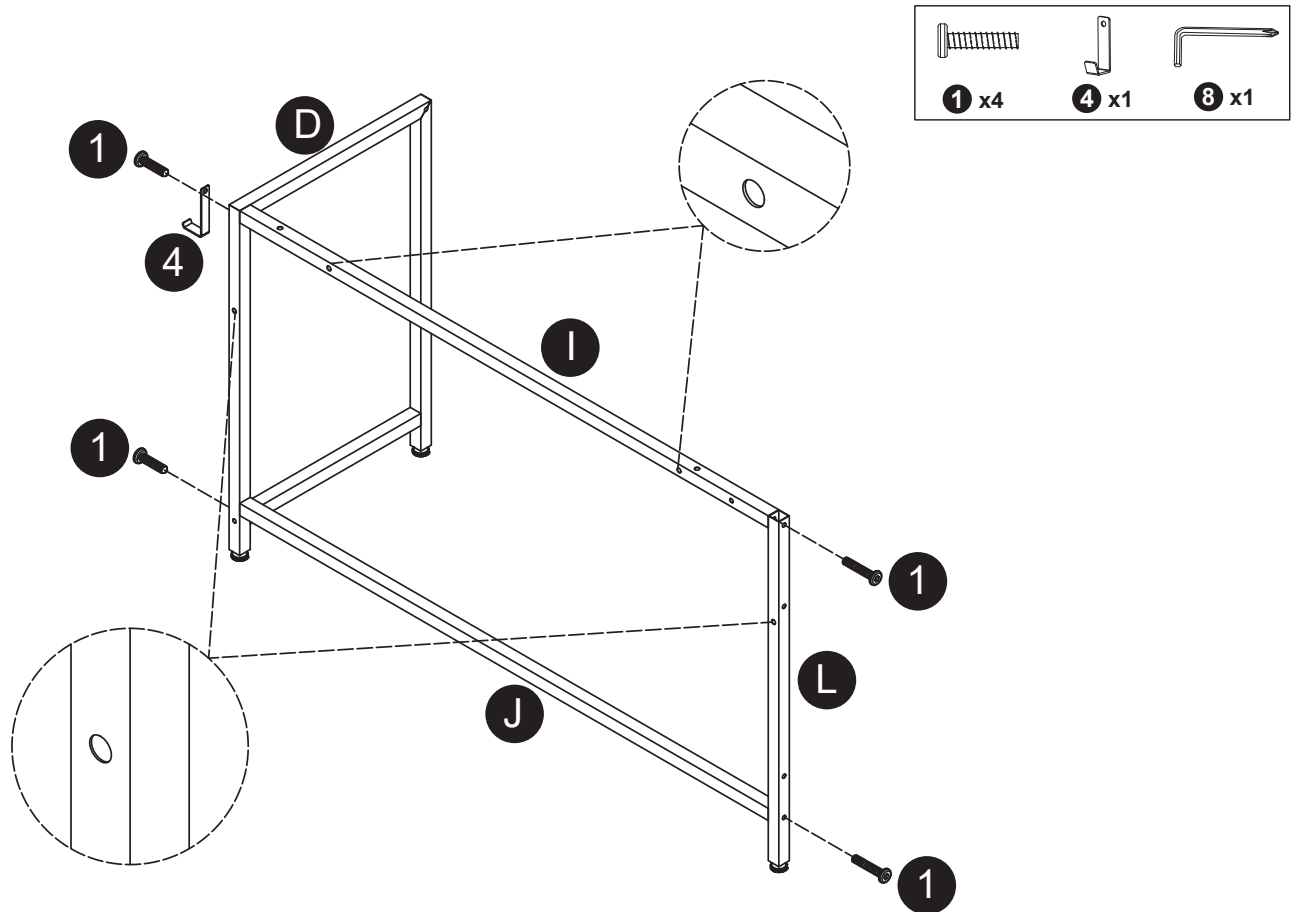


Step 2

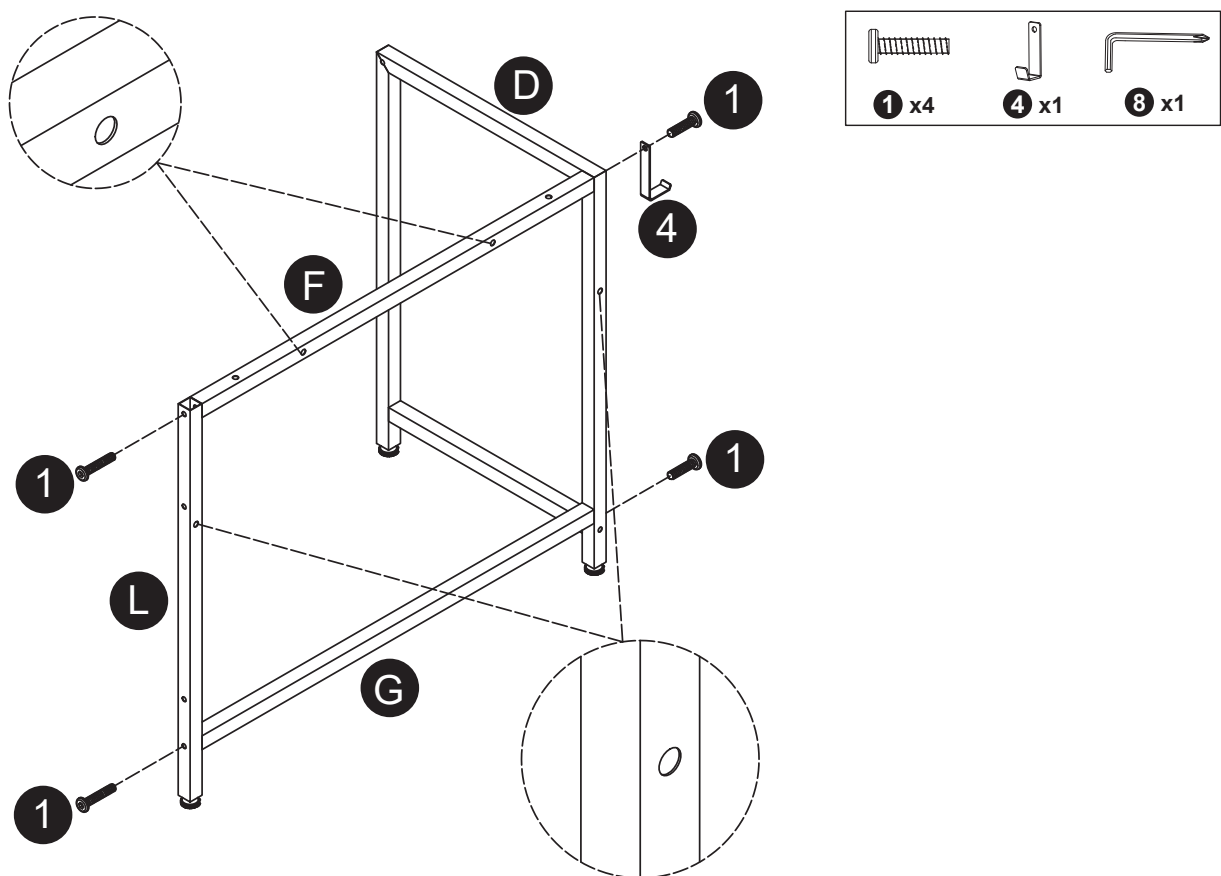


x2

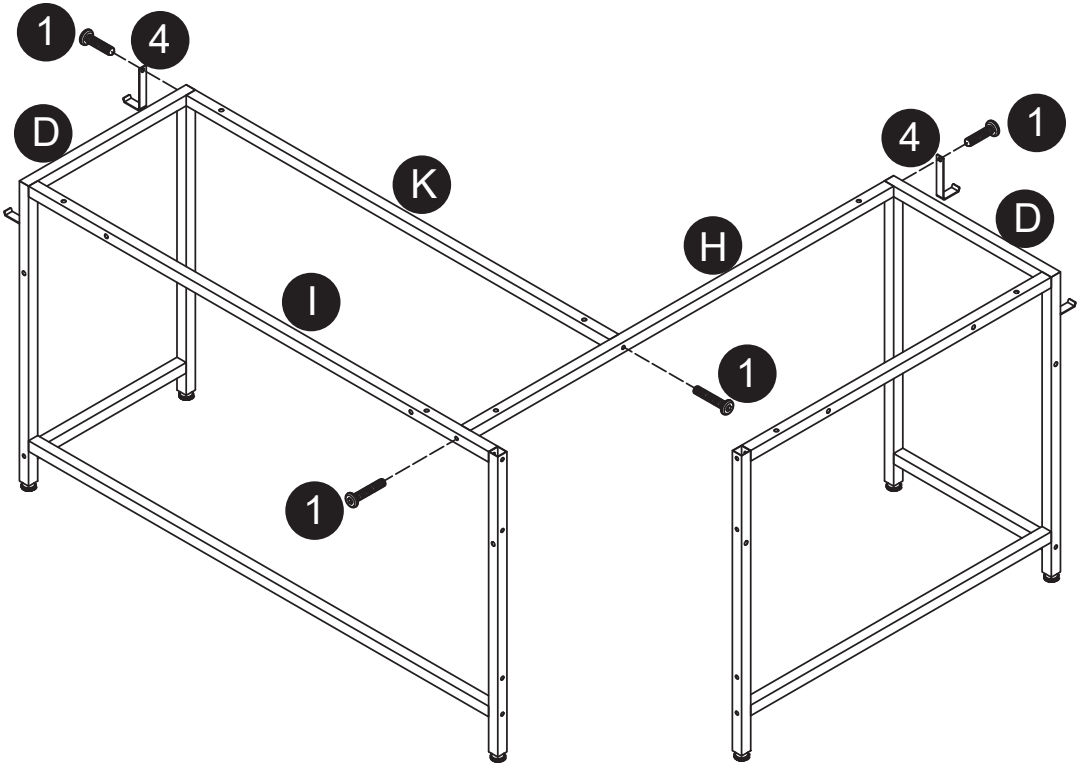
Step 3



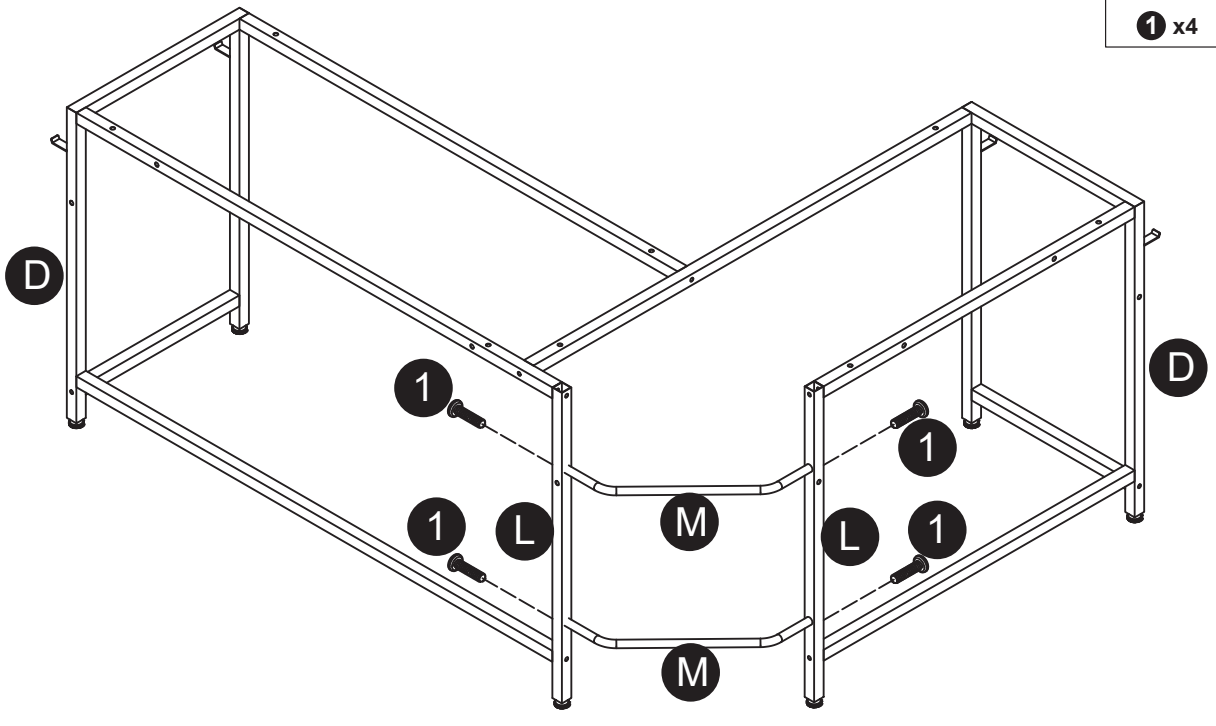
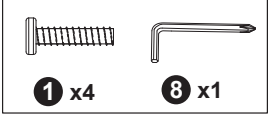
Step 4



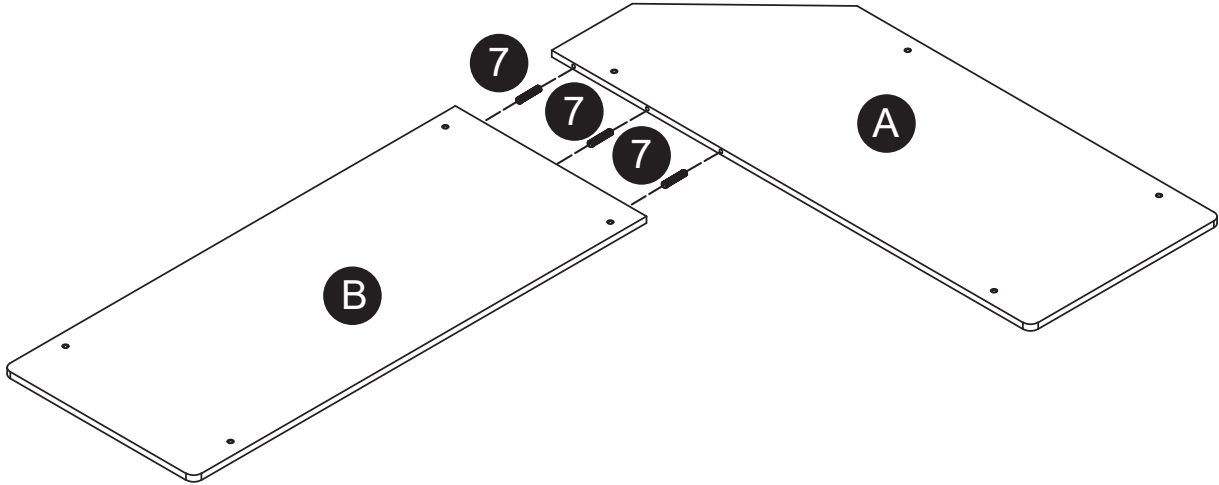
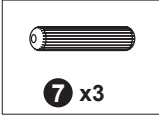
Step 5



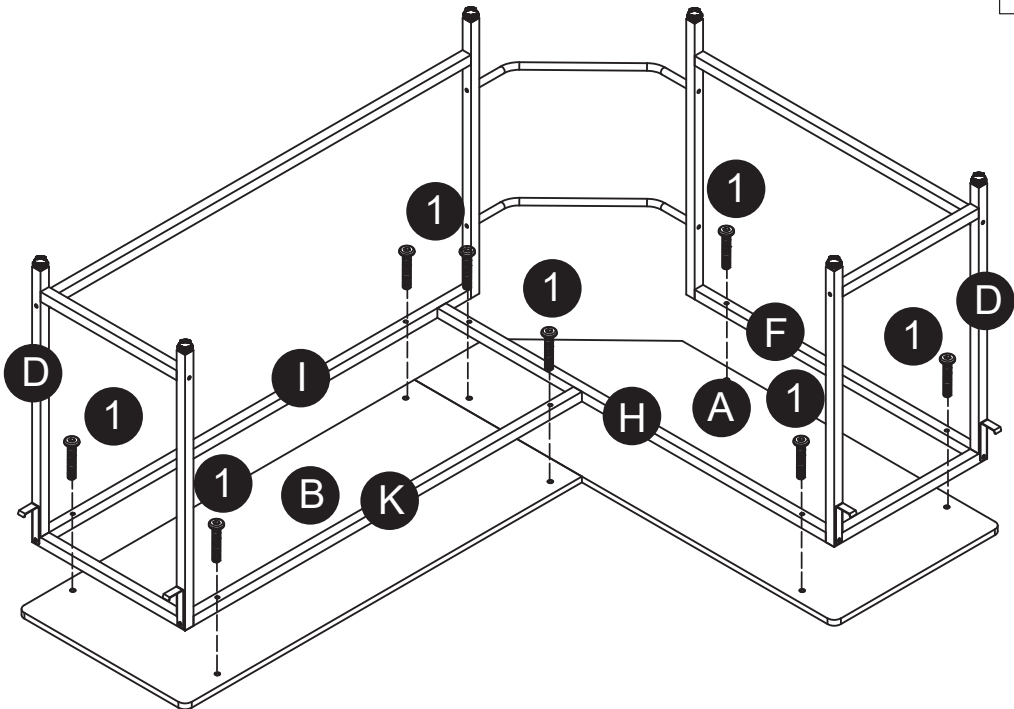
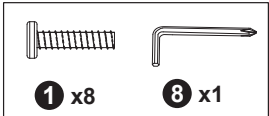
Step 6



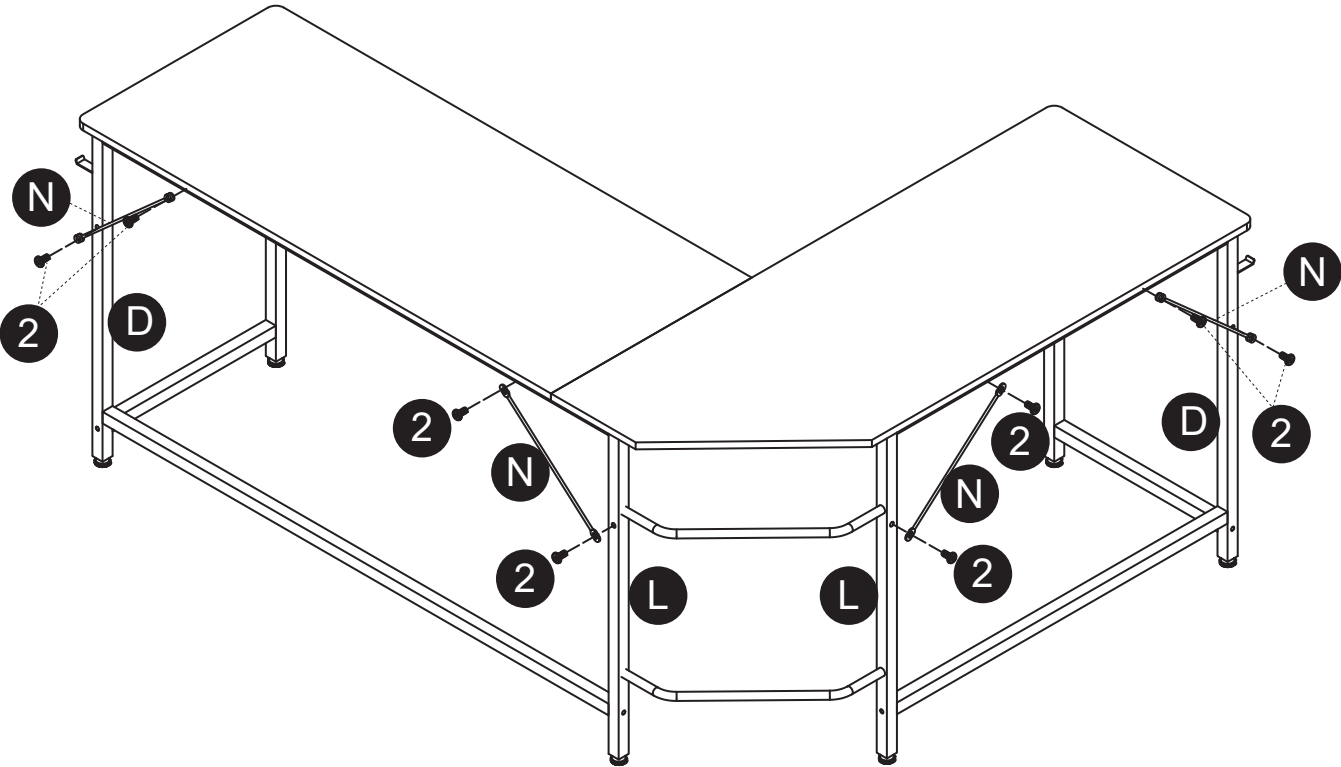
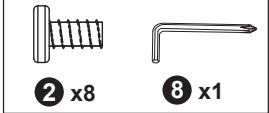
Step 7



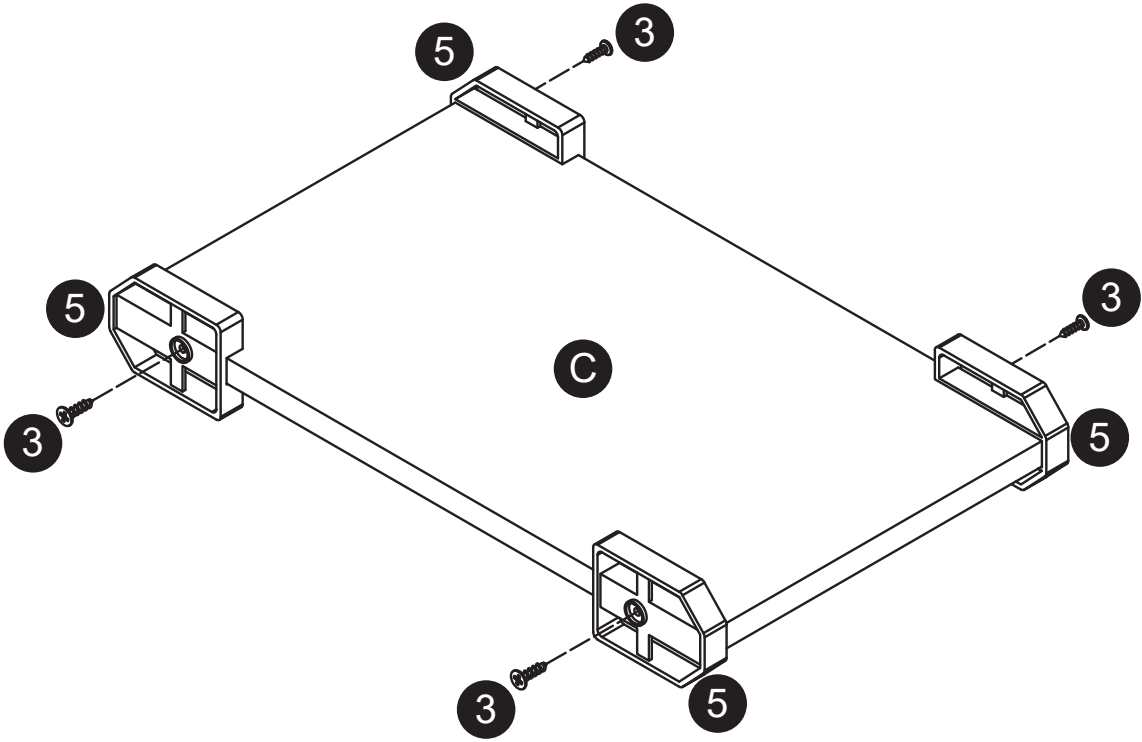
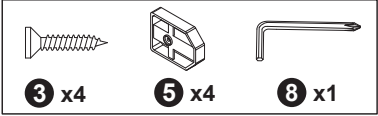
Step 8



Step 9



Step 10



Step 11

